



US00D536926S

(12) **United States Design Patent** (10) **Patent No.:** **US D536,926 S**
Schreitmüller (45) **Date of Patent:** **** Feb. 20, 2007**

- (54) **VACUUM CARAFE**
- (75) Inventor: **Carol Schreitmüller**, Seattle, WA (US)
- (73) Assignee: **Pacific Market International, LLC**, Seattle, WA (US)
- (**) Term: **14 Years**
- (21) Appl. No.: **29/256,738**
- (22) Filed: **Apr. 25, 2006**

Related U.S. Application Data

- (63) Continuation of application No. 29/254,932, filed on Mar. 1, 2006.
- (51) **LOC (8) Cl.** **07-99**
- (52) **U.S. Cl.** **D7/398; D7/318; D7/316; D7/397; D7/393**
- (58) **Field of Classification Search** D7/316-319, D7/312, 598, 600, 605, 608, 619.1, 622, 394, D7/393, 397, 398, 399; 99/323; 222/465.1, 222/592.16; 215/12.1; D10/46.2; D23/212
See application file for complete search history.

References Cited

U.S. PATENT DOCUMENTS

- D118,727 S * 1/1940 Spence D7/316
(Continued)

Primary Examiner—M. N. Pandozzi
(74) *Attorney, Agent, or Firm*—George C. Rondeau, Jr.; Davis Wright Tremaine LLP

CLAIM

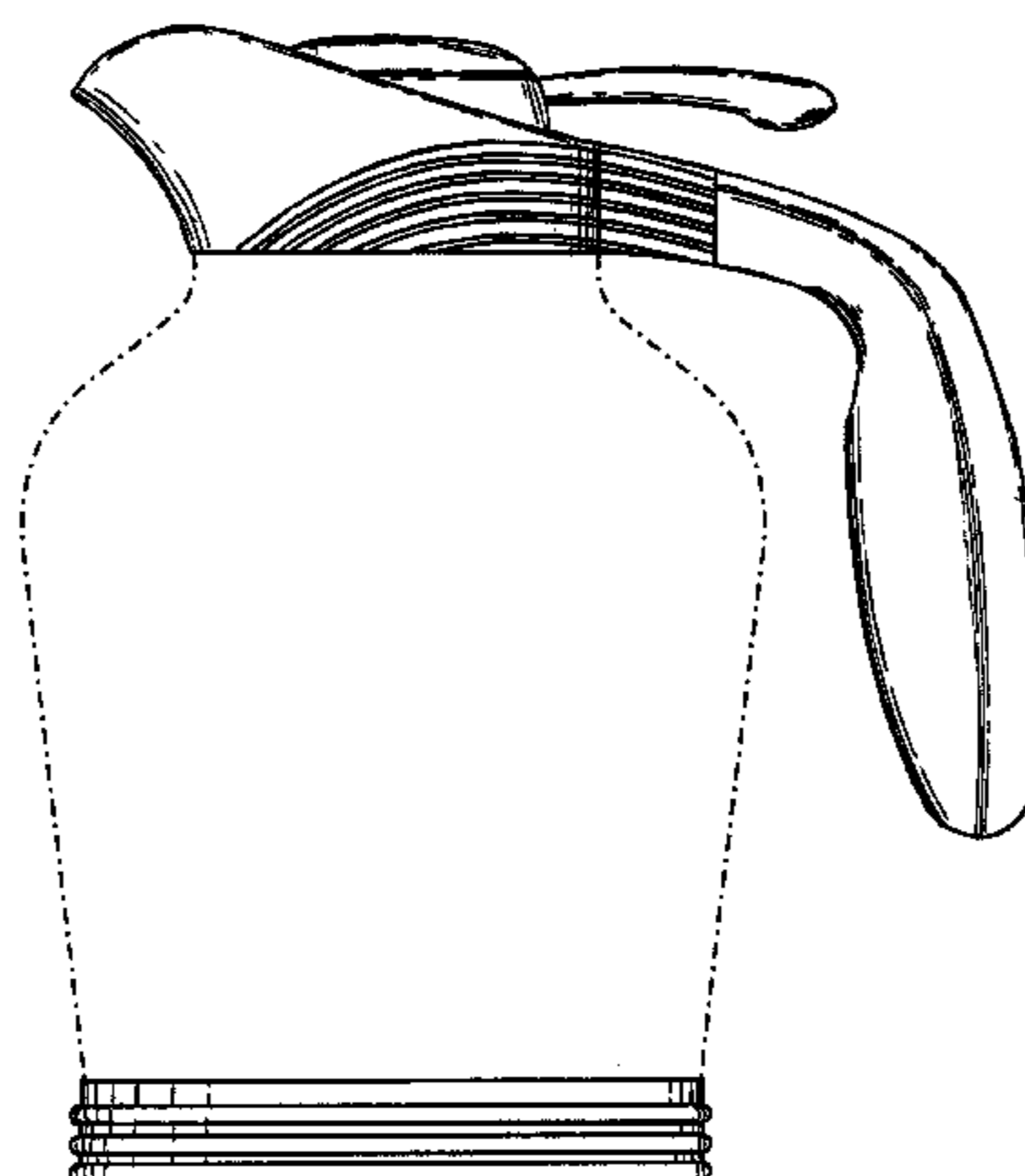
The ornamental design for a vacuum carafe, as shown and described.

DESCRIPTION

FIG. 1 is a front perspective view of a vacuum carafe showing my new design;

FIG. 2 is a top plan view thereof.
 FIG. 3 is a right side elevational view thereof (the left side elevational view being a mirror image of the right side).
 FIG. 4 is a front elevational view thereof.
 FIG. 5 is a rear elevational view thereof.
 FIG. 6 is a bottom plan view thereof.
 FIG. 7 is a front perspective view of a vacuum carafe showing a second embodiment of my new design;
 FIG. 8 is a top plan view thereof.
 FIG. 9 is a right side elevational view thereof (the left side elevational view being a mirror image of the right side).
 FIG. 10 is a front elevational view thereof.
 FIG. 11 is a rear elevational view thereof.
 FIG. 12 is a bottom plan view thereof.
 FIG. 13 is a front perspective view of a vacuum carafe showing a third embodiment of my new design;
 FIG. 14 is a top plan view thereof.
 FIG. 15 is a right side elevational view thereof (the left side elevational view being a mirror image of the right side).
 FIG. 16 is a front elevational view thereof.
 FIG. 17 is a rear elevational view thereof.
 FIG. 18 is a bottom plan view thereof.
 FIG. 19 is a front perspective view of a vacuum carafe showing a fourth embodiment of my new design;
 FIG. 20 is a top plan view thereof.
 FIG. 21 is a right side elevational view thereof (the left side elevational view being a mirror image of the right side).
 FIG. 22 is a front elevational view thereof.
 FIG. 23 is a rear elevational view thereof.
 FIG. 24 is a bottom plan view thereof.
 FIG. 25 is a front perspective view of a vacuum carafe showing a fifth embodiment of my new design;
 FIG. 26 is a top plan view thereof.
 FIG. 27 is a right side elevational view thereof (the left side elevational view being a mirror image of the right side).
 FIG. 28 is a front elevational view thereof.
 FIG. 29 is a rear elevational view thereof; and,
 FIG. 30 is a bottom plan view thereof.
 The broken lines in the drawings are for illustrative purposes only and form no part of the claimed design.

1 Claim, 15 Drawing Sheets



US D536,926 S

Page 2

U.S. PATENT DOCUMENTS

D208,567 S	*	9/1967	Mitchell	D7/318	D397,905 S	*	9/1998	Hsu	D7/317
D223,465 S	*	4/1972	De Puy	D7/317	D417,814 S	*	12/1999	Huang	D7/319
D227,142 S	*	6/1973	Swett	D7/319	D420,545 S	*	2/2000	Huang	D7/318
3,817,430 A	*	6/1974	Borin	222/494	D422,842 S		4/2000	Freed		
4,251,004 A	*	2/1981	Sun	220/4.01	D430,769 S		9/2000	Hurlbut		
4,583,653 A	*	4/1986	Minsky	220/300	D444,338 S	*	7/2001	Huang	D7/318
4,623,457 A	*	11/1986	Hankammer	210/237	D444,339 S	*	7/2001	Huang	D7/319
D314,117 S	*	1/1991	Inoue	D7/321	6,269,984 B1	*	8/2001	Murakami	222/472
D315,472 S	*	3/1991	Balzano	D7/317	D453,279 S	*	2/2002	Huang	D7/318
5,273,194 A	*	12/1993	McNamara	222/470	D453,446 S	*	2/2002	Bodum	D7/510
D363,409 S	*	10/1995	Huang	D7/317	D454,468 S	*	3/2002	Mano	D7/318
D366,388 S	*	1/1996	Alessi Anghini et al.	D7/317	6,427,880 B1	*	8/2002	Hirose et al.	222/517
D370,150 S	*	5/1996	Huang	D7/319	D480,904 S	*	10/2003	Backes et al.	D7/318
D386,934 S	*	12/1997	Huang	D7/319	D486,032 S	*	2/2004	Leung	D7/319
D387,951 S	*	12/1997	Huang	D7/319	D490,266 S	*	5/2004	Imai	D7/318
D394,981 S	*	6/1998	Huang	D7/319	D493,059 S	*	7/2004	O'Connor et al.	D7/319
D394,982 S	*	6/1998	Huang	D7/319	D498,638 S	*	11/2004	Morrison	D7/319
D395,576 S	*	6/1998	Huang	D7/319	D521,795 S	*	5/2006	Imai	D7/318

* cited by examiner

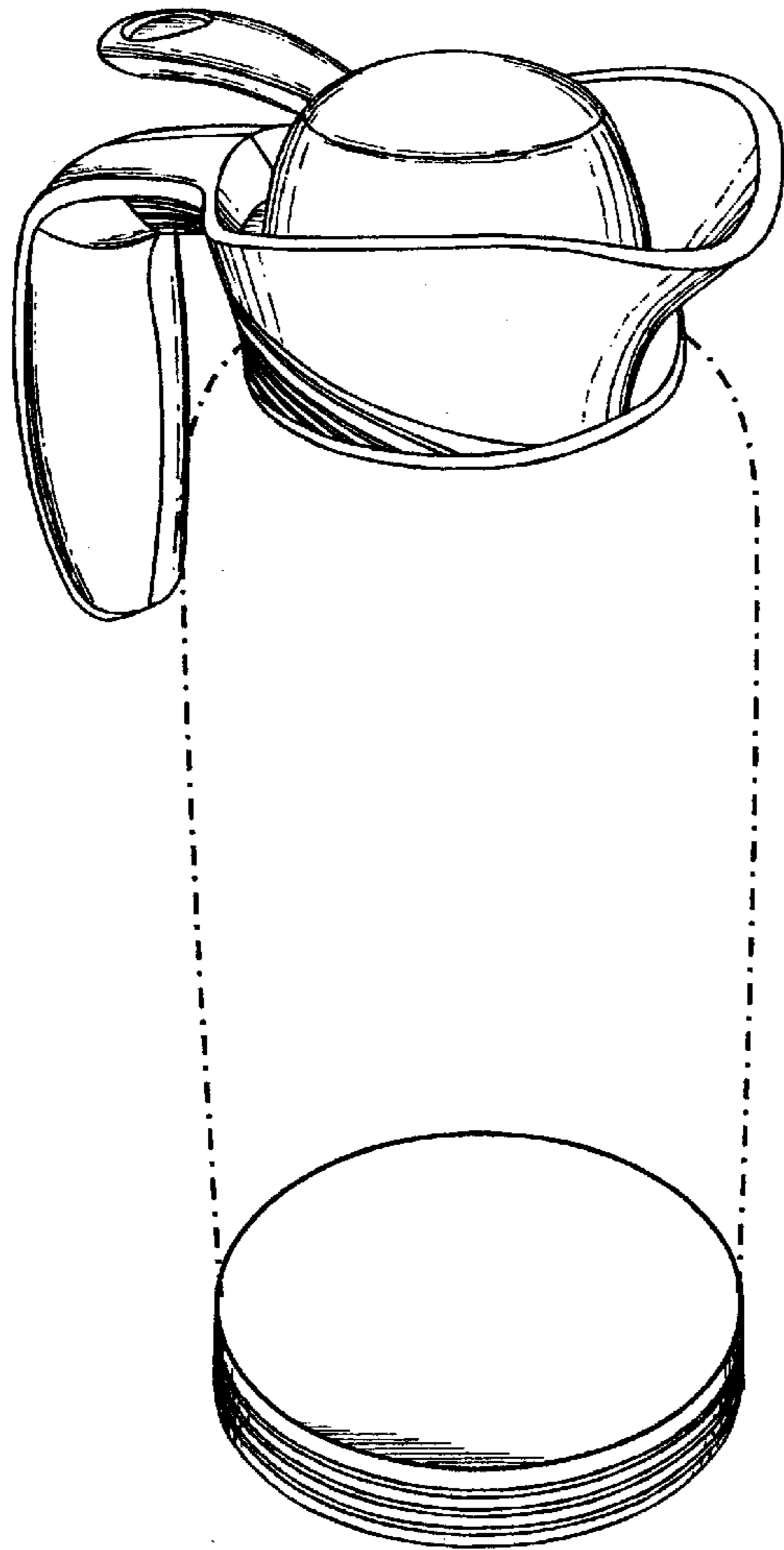
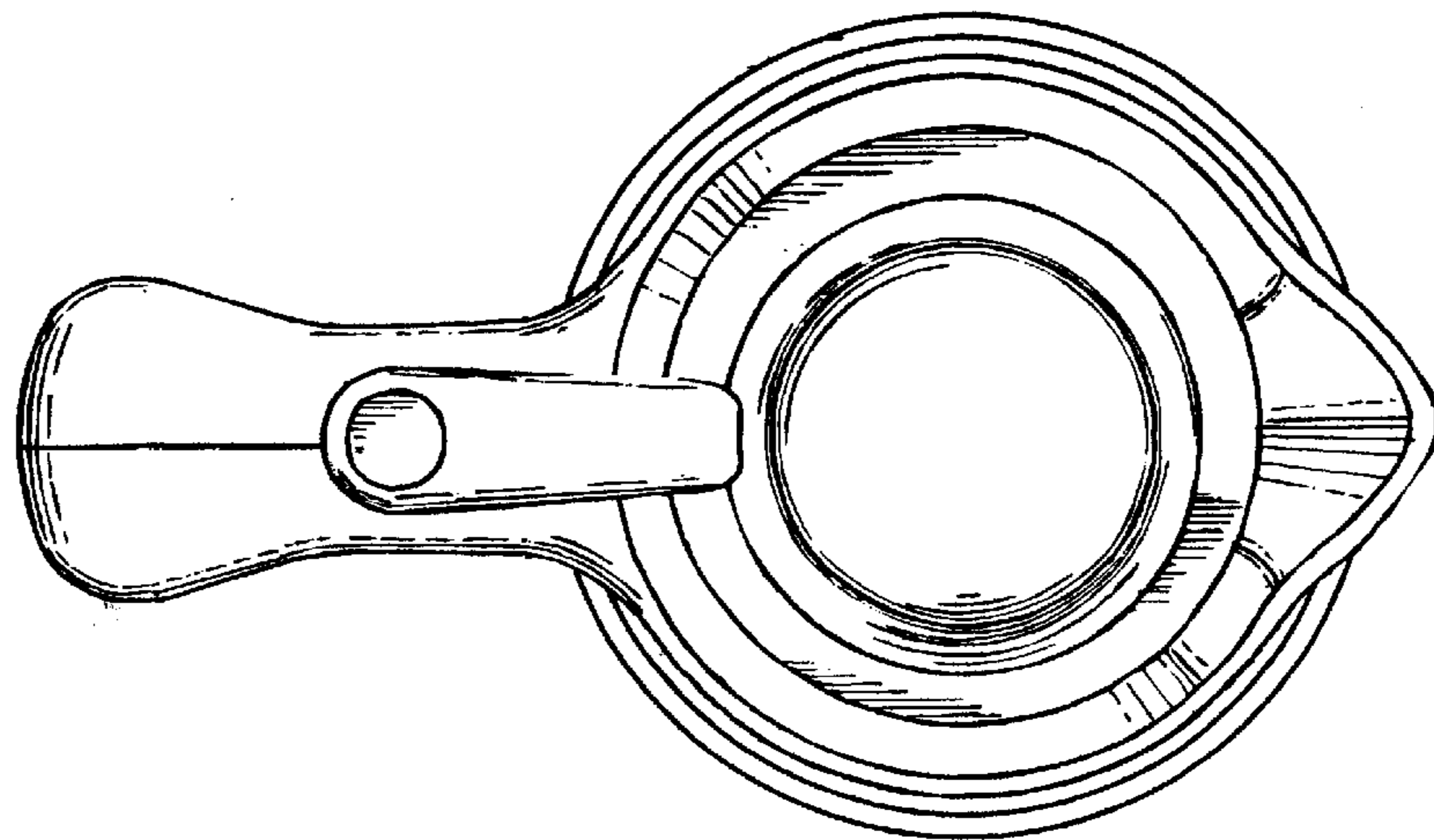


FIG. 1

FIG. 2



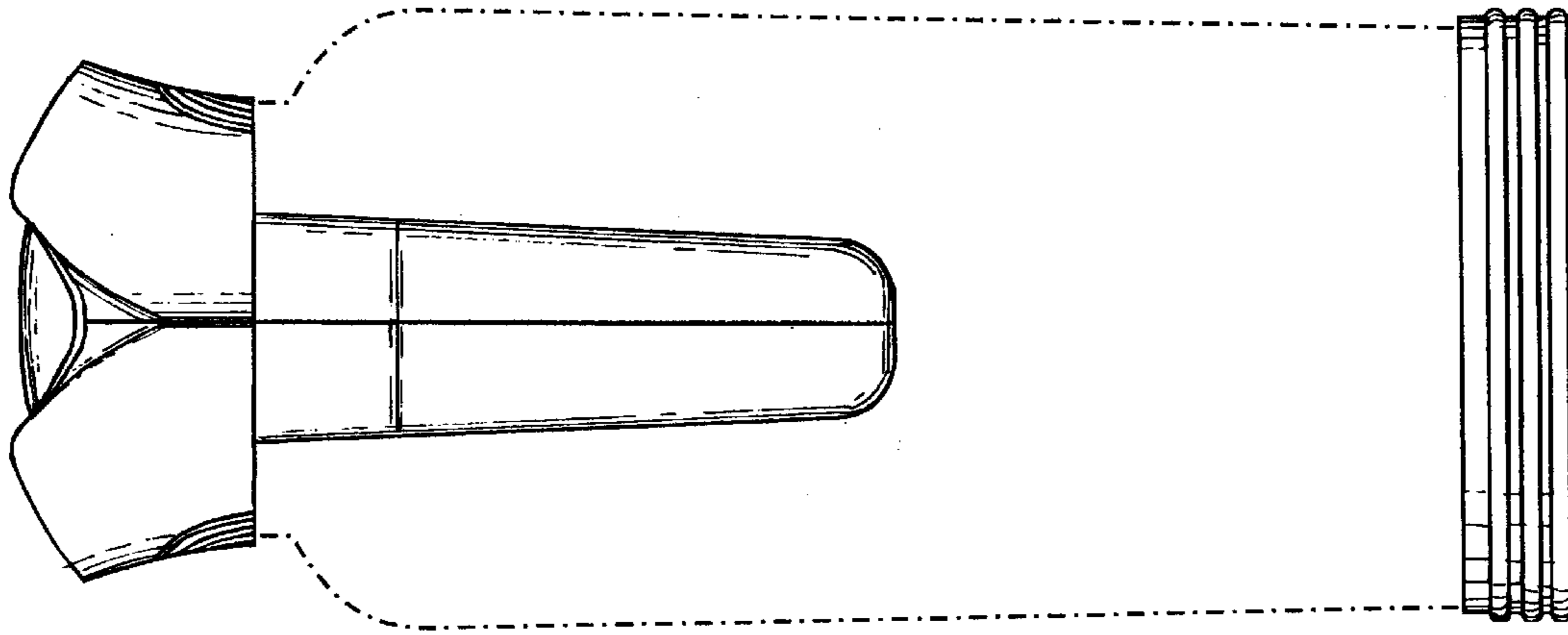


FIG. 3

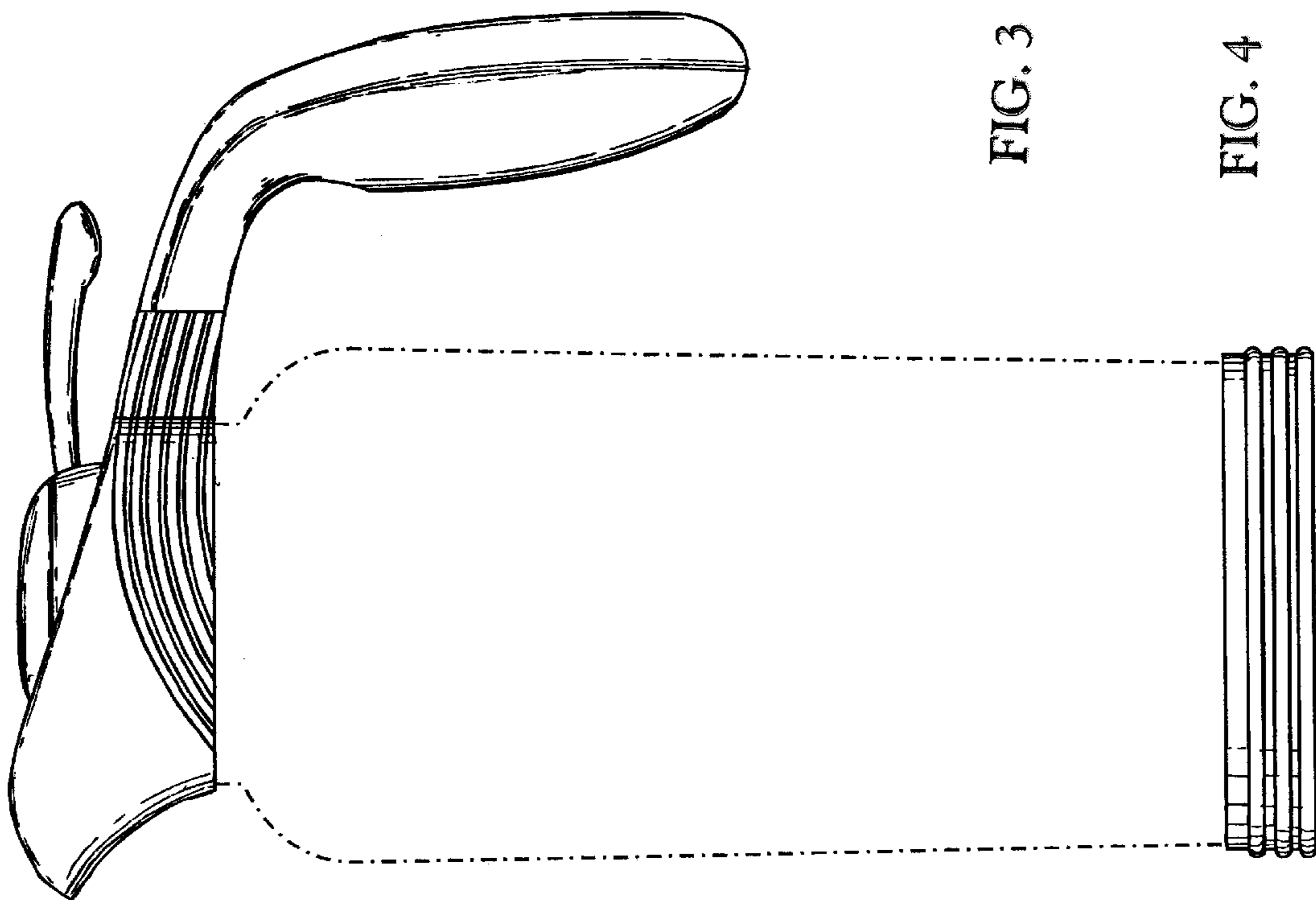


FIG. 4

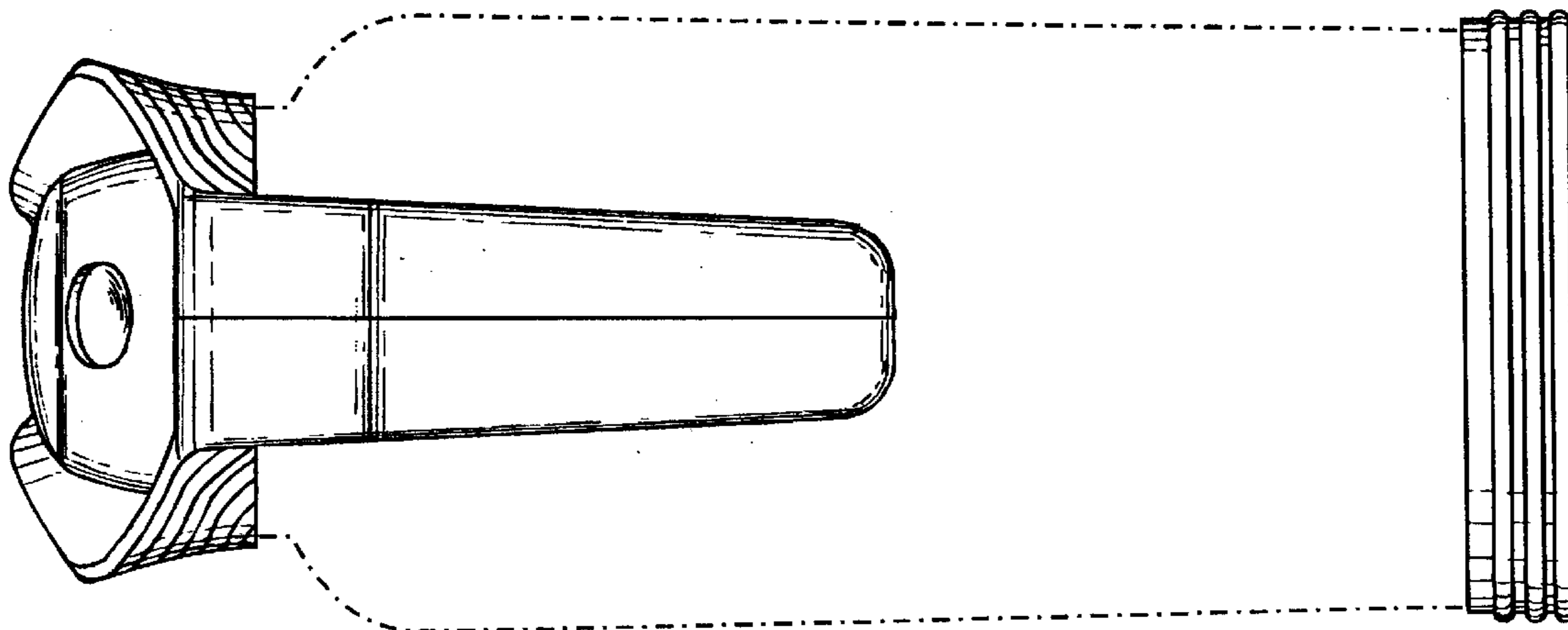


FIG. 5

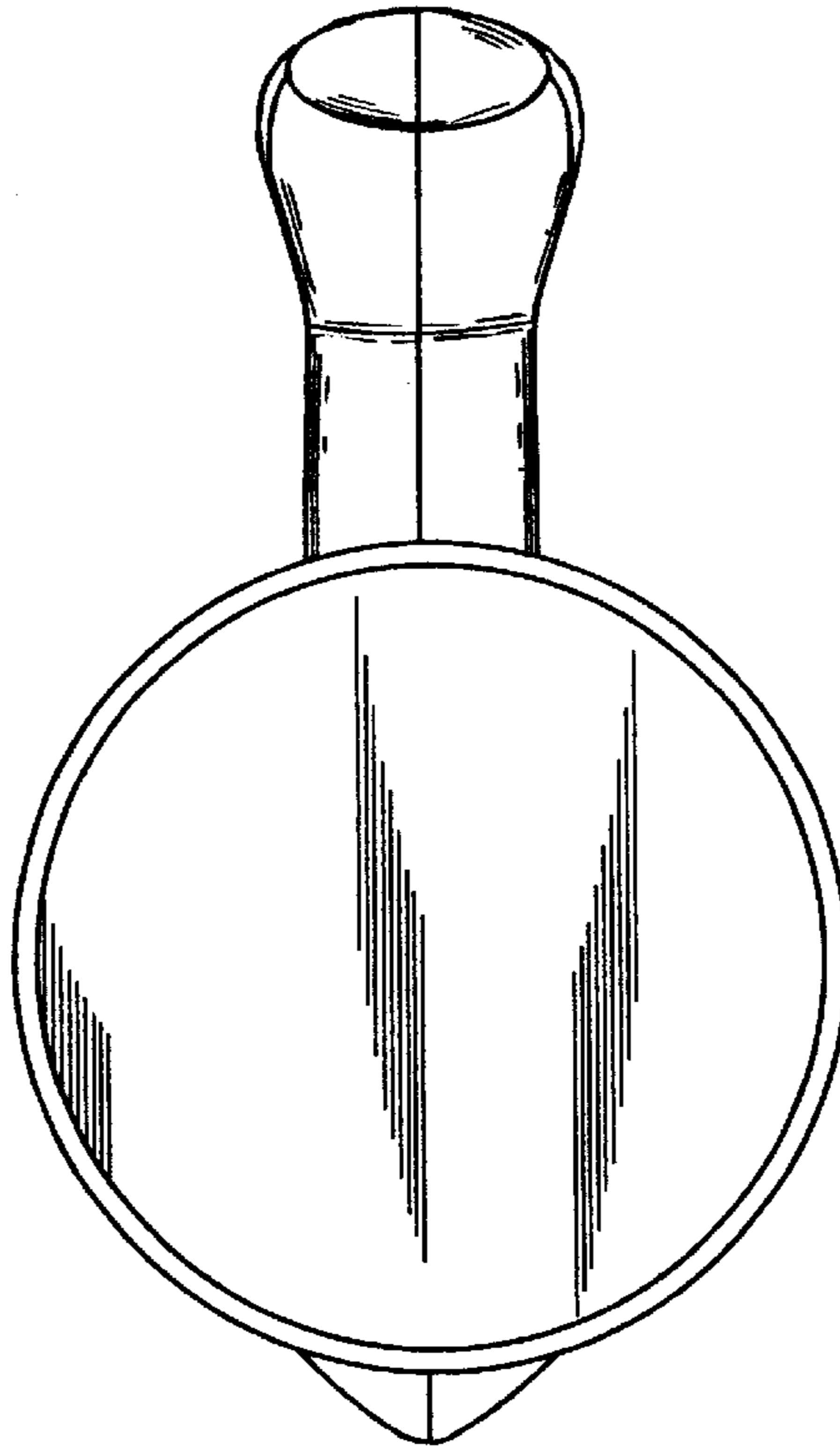


FIG. 6

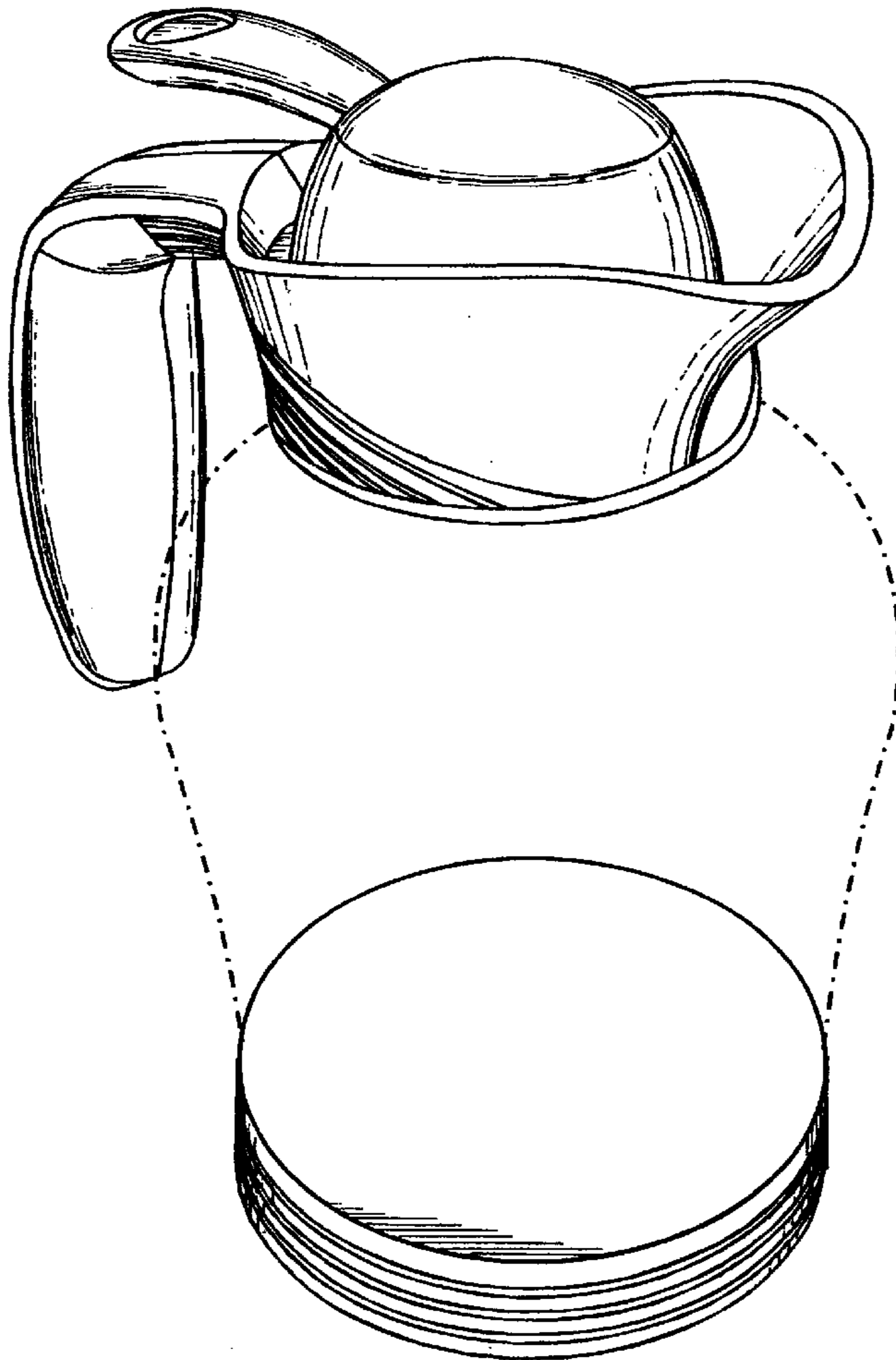
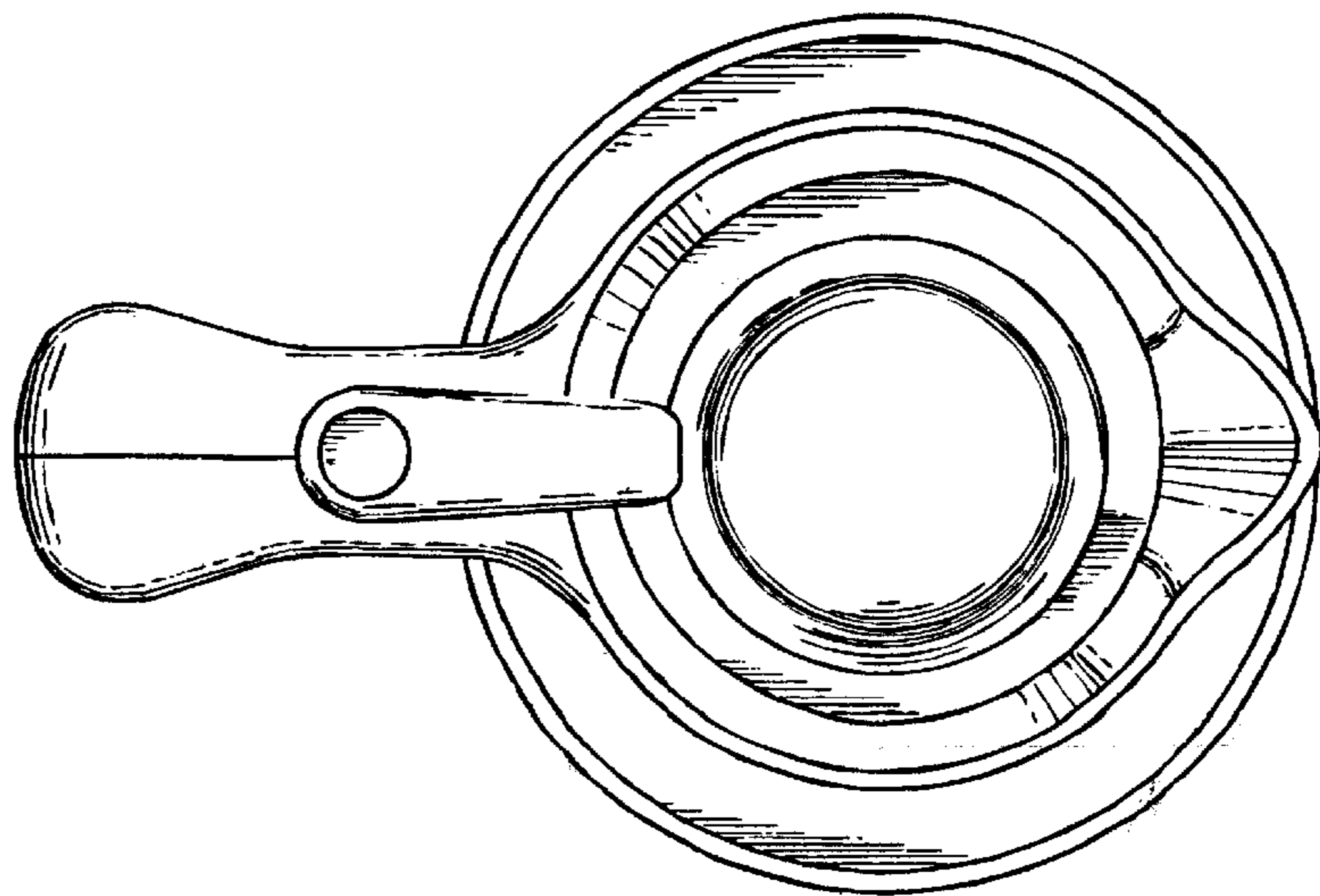


FIG. 7

FIG. 8



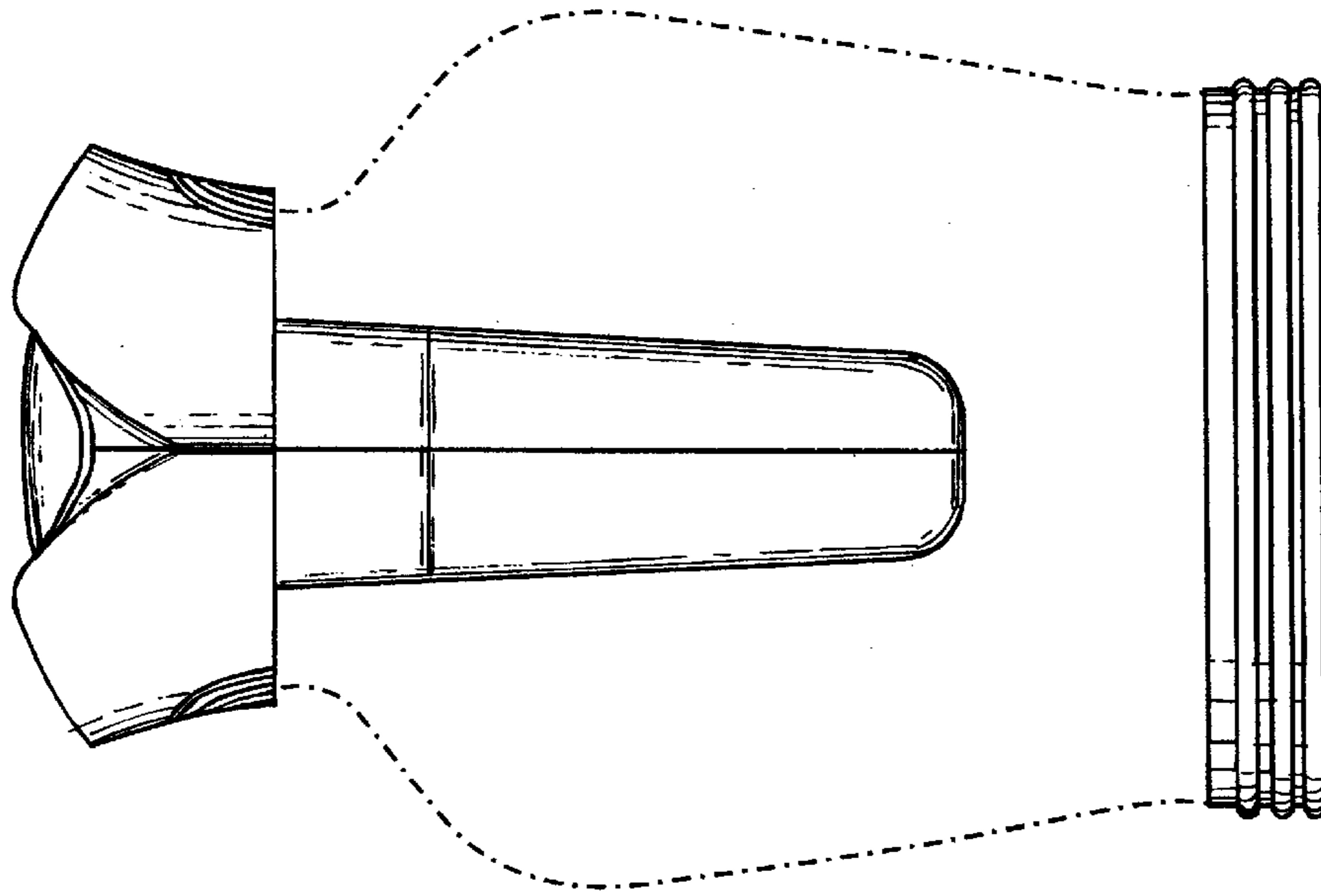


FIG. 10

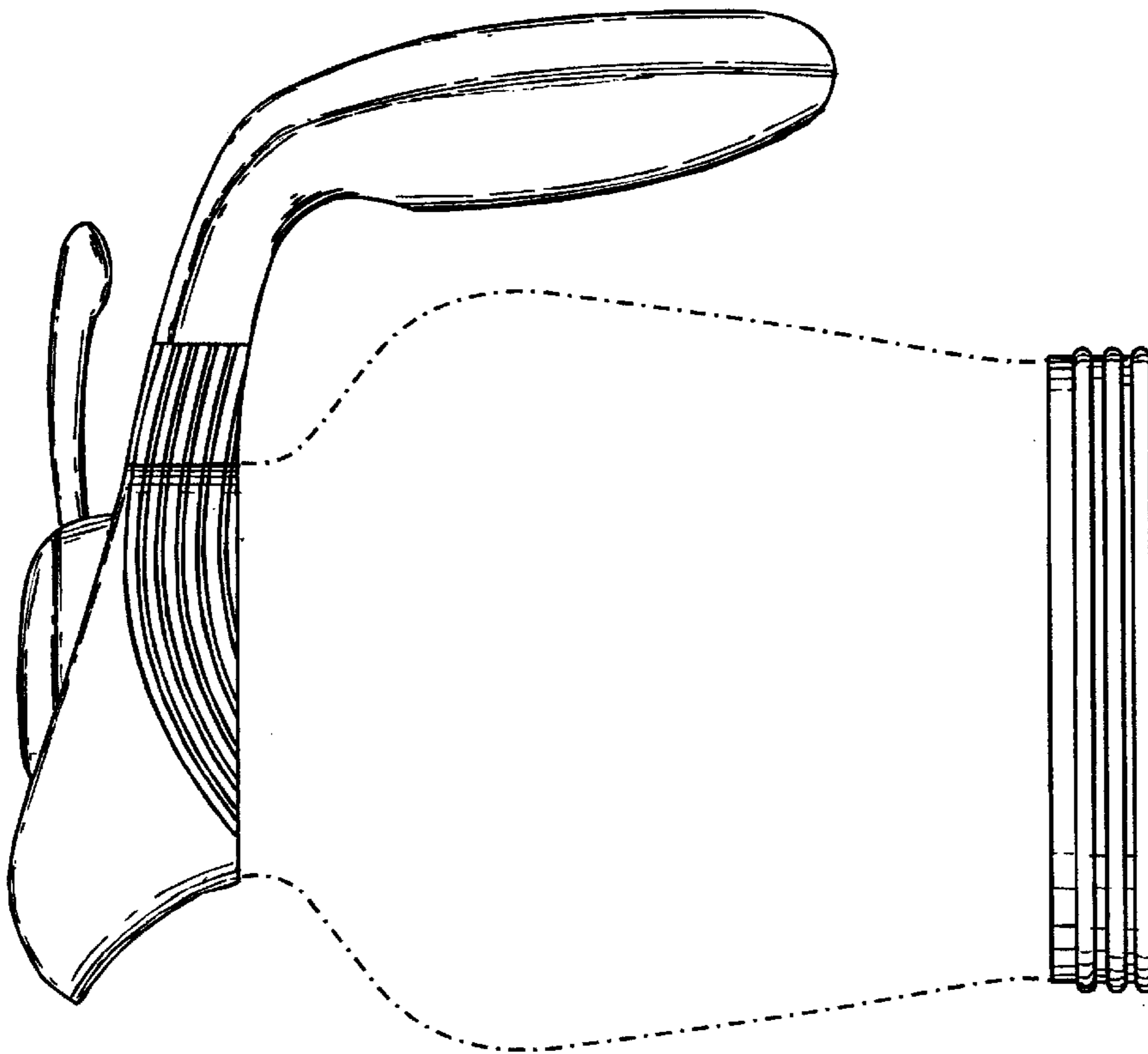


FIG. 9

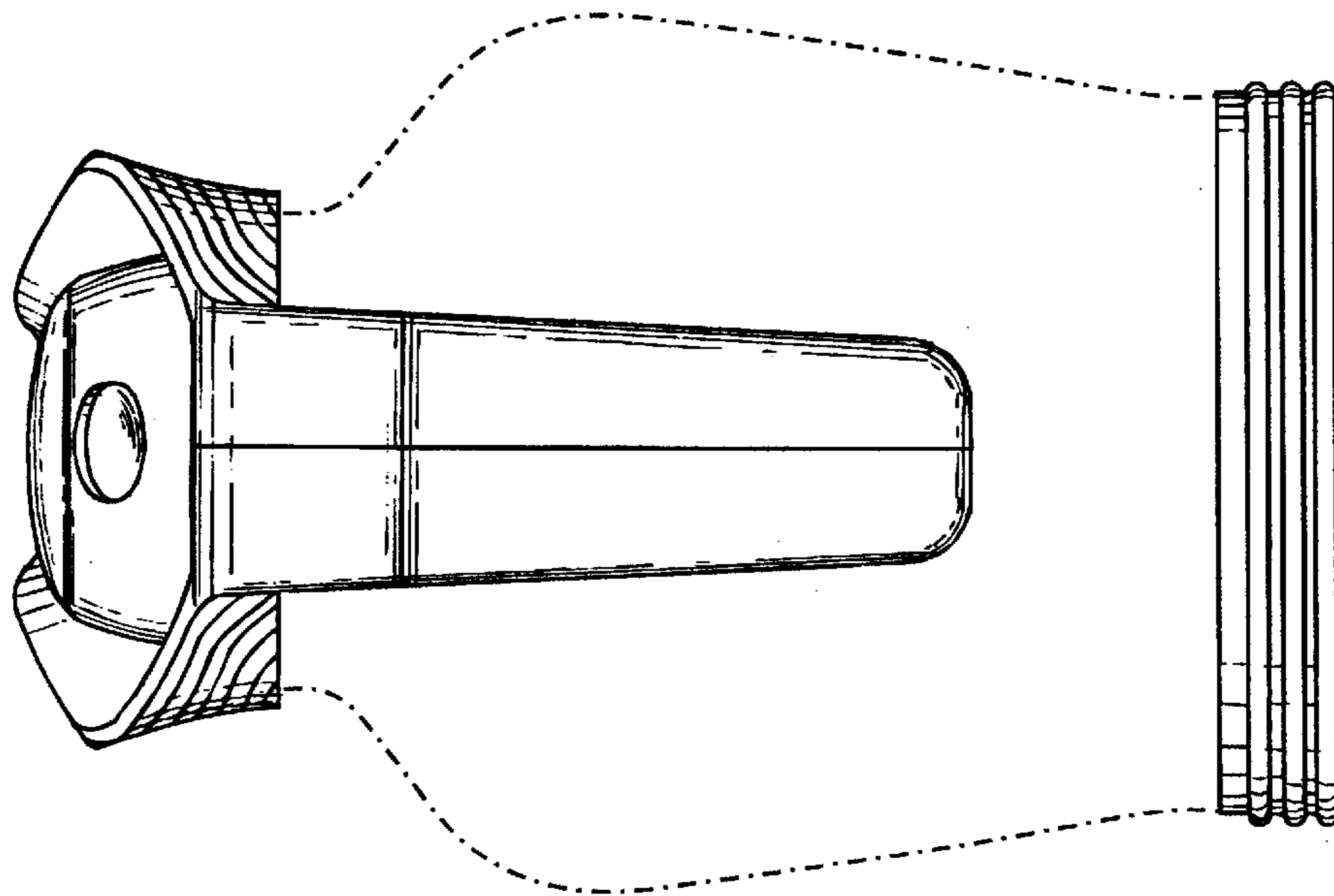


FIG. 11

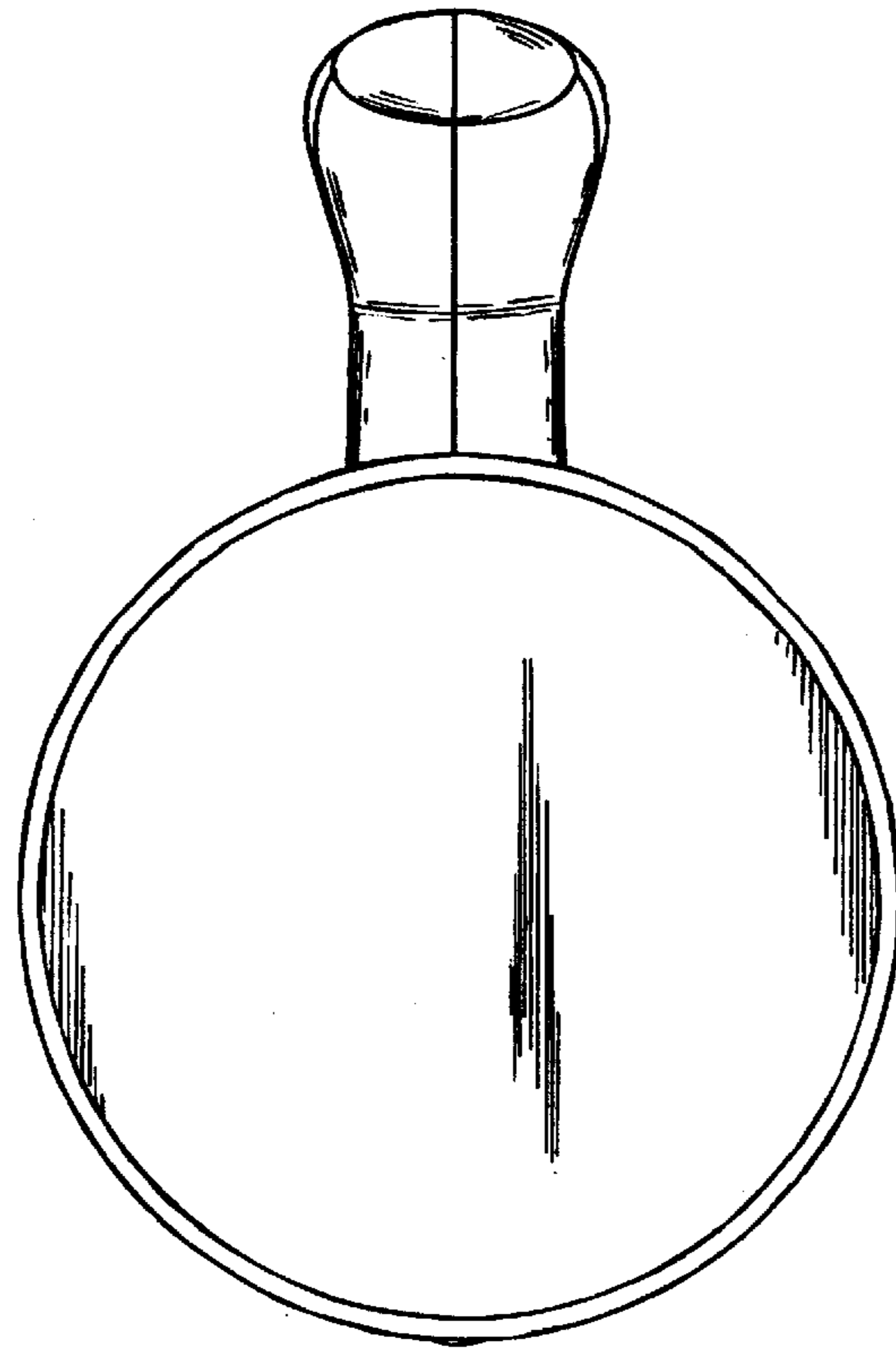


FIG. 12

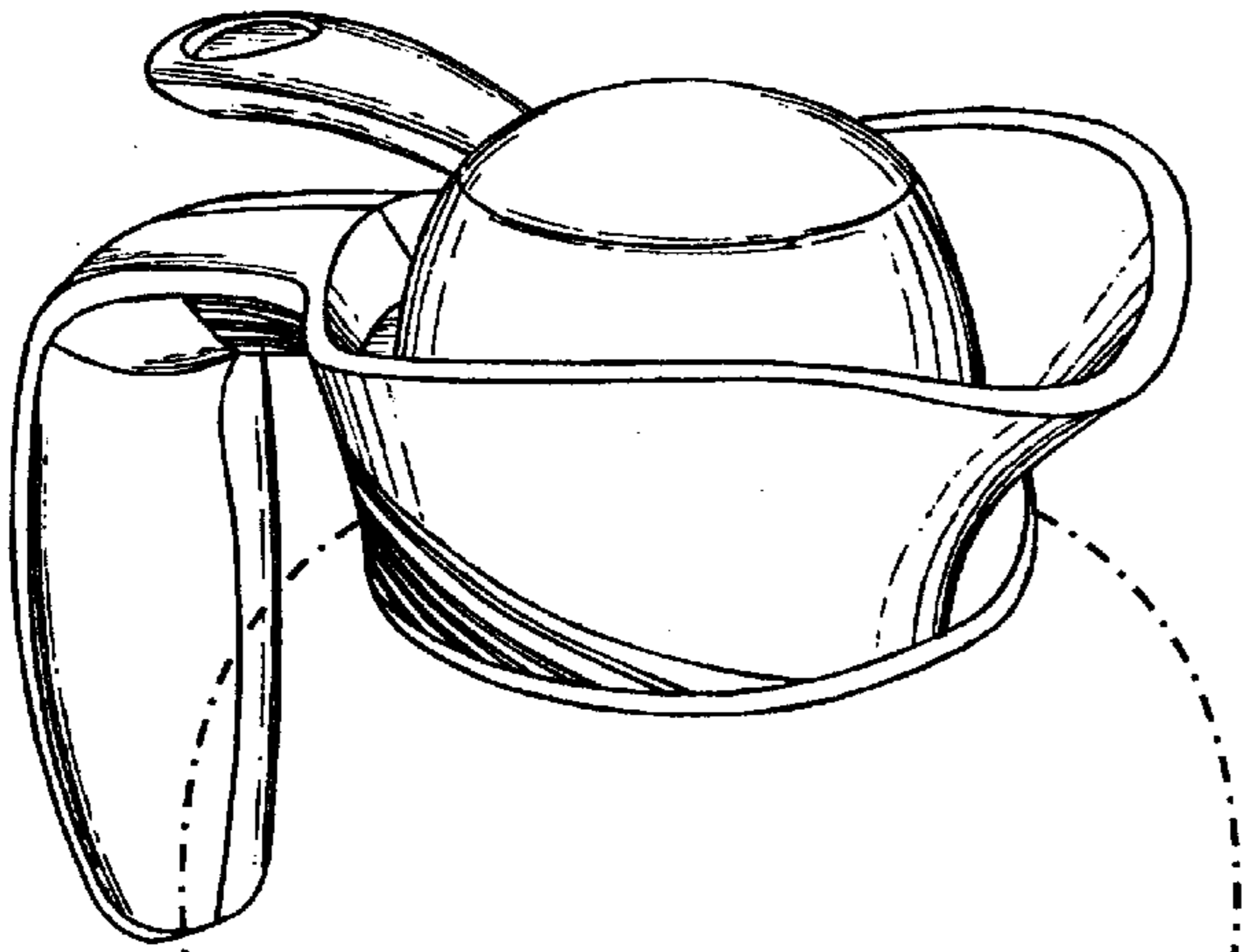


FIG. 13

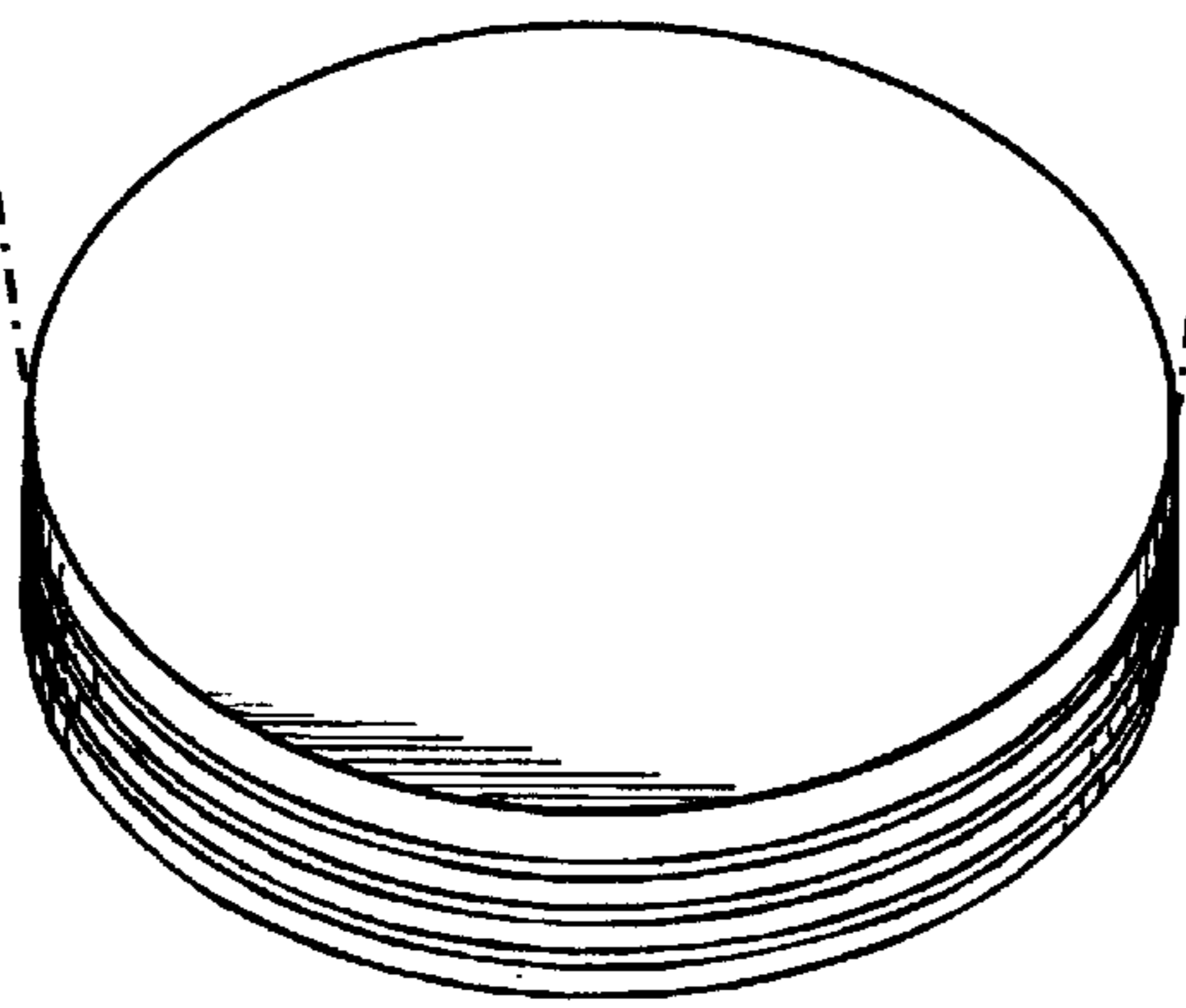
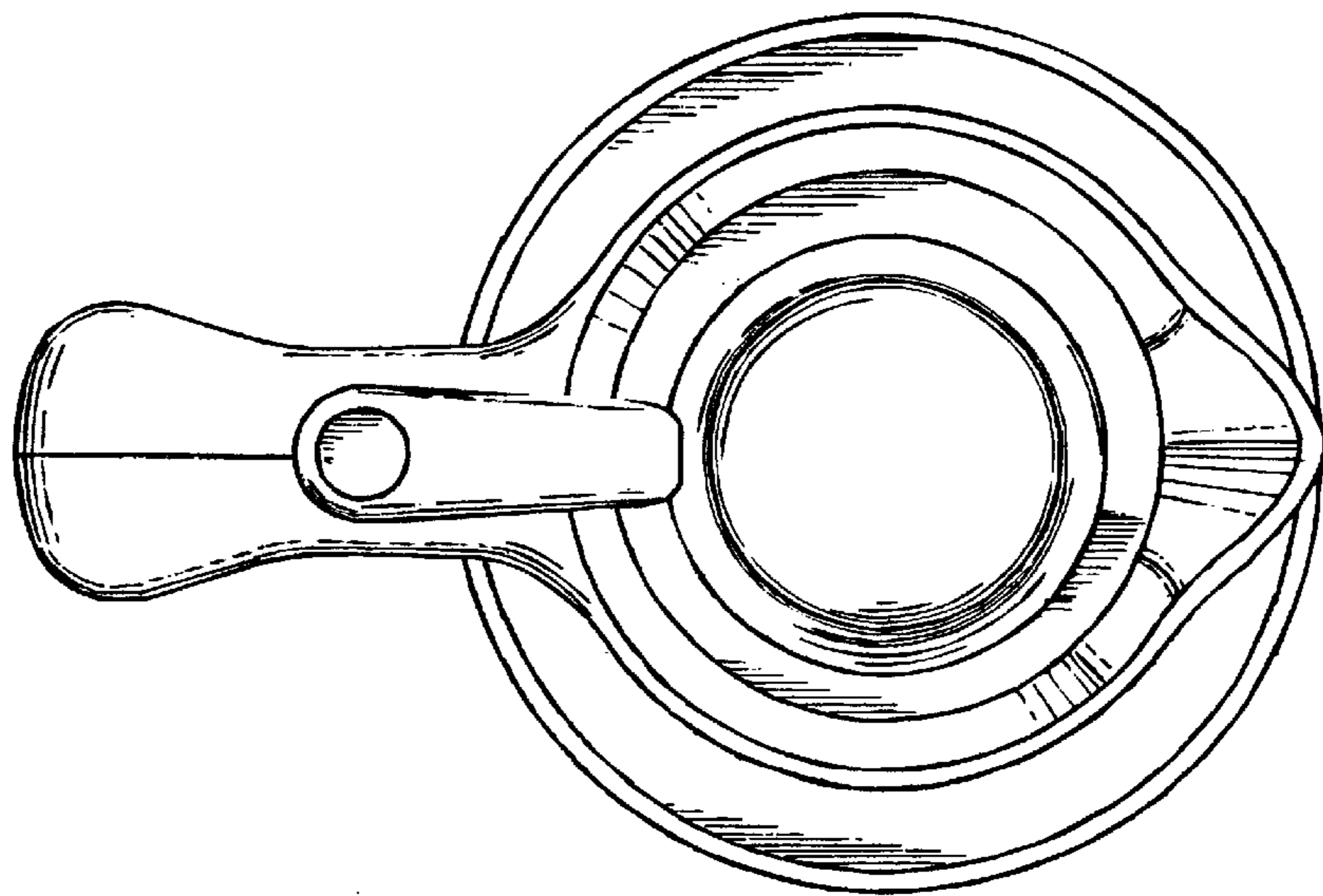


FIG. 14



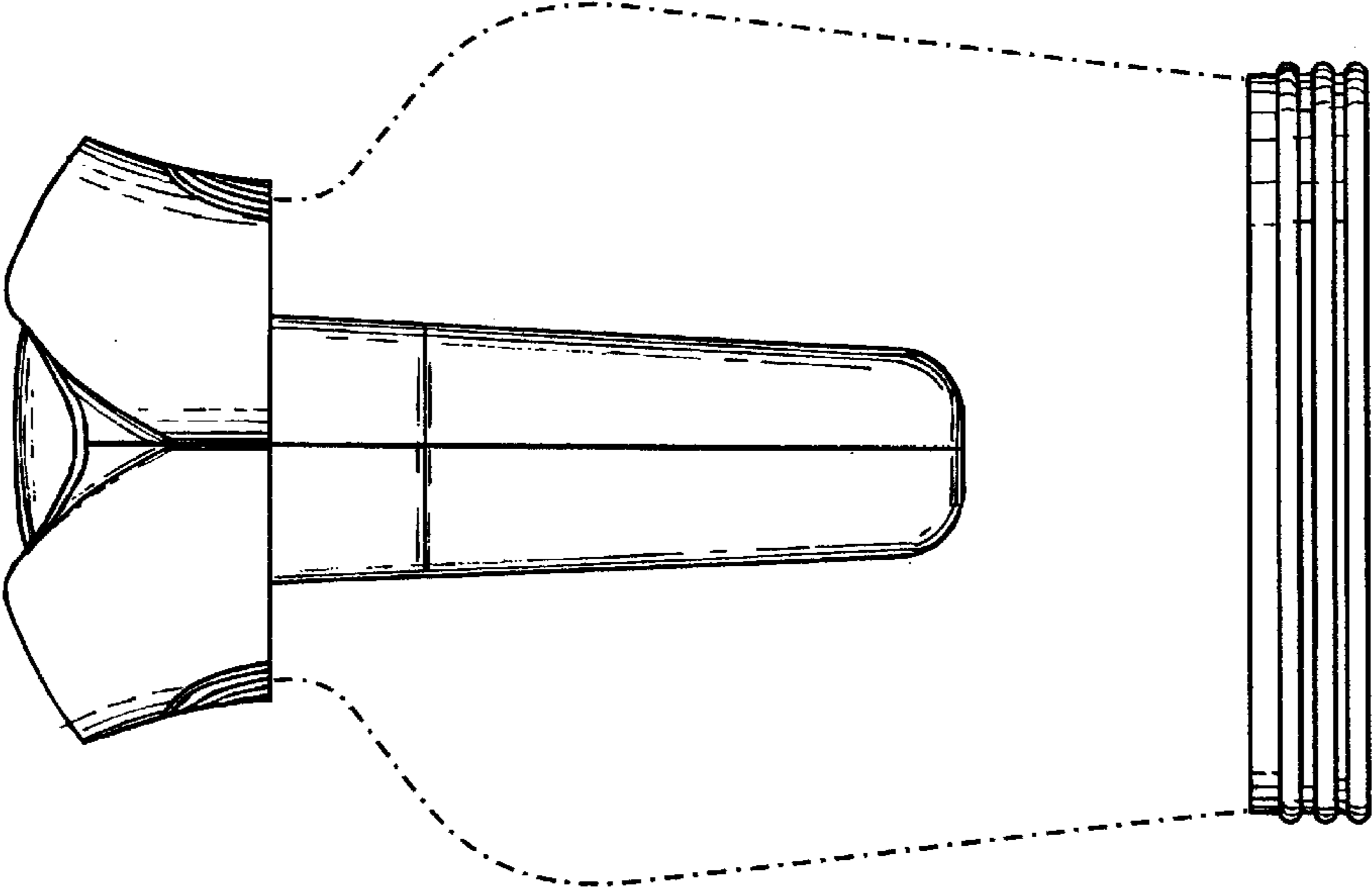


FIG. 16

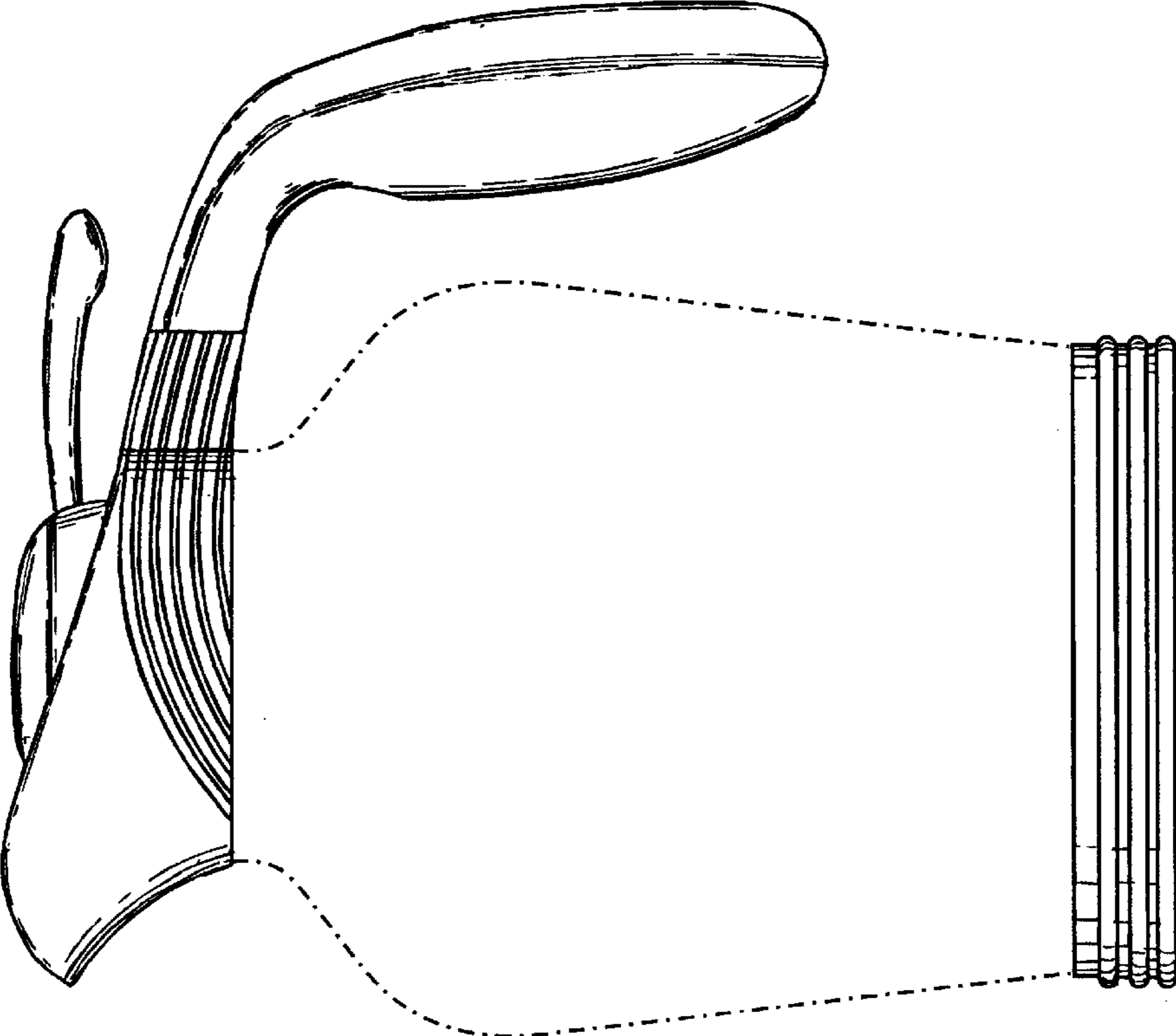


FIG. 15

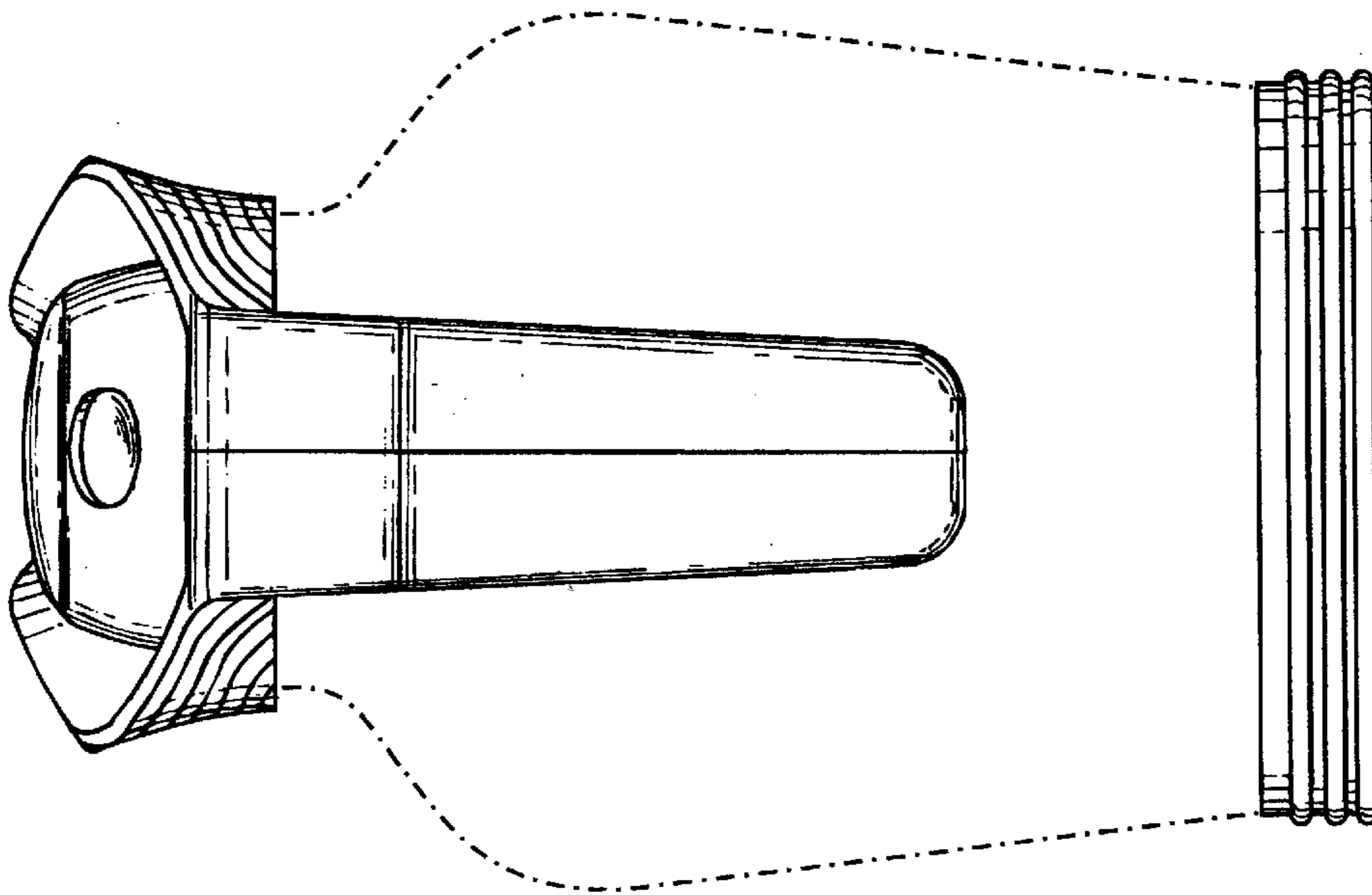


FIG. 17

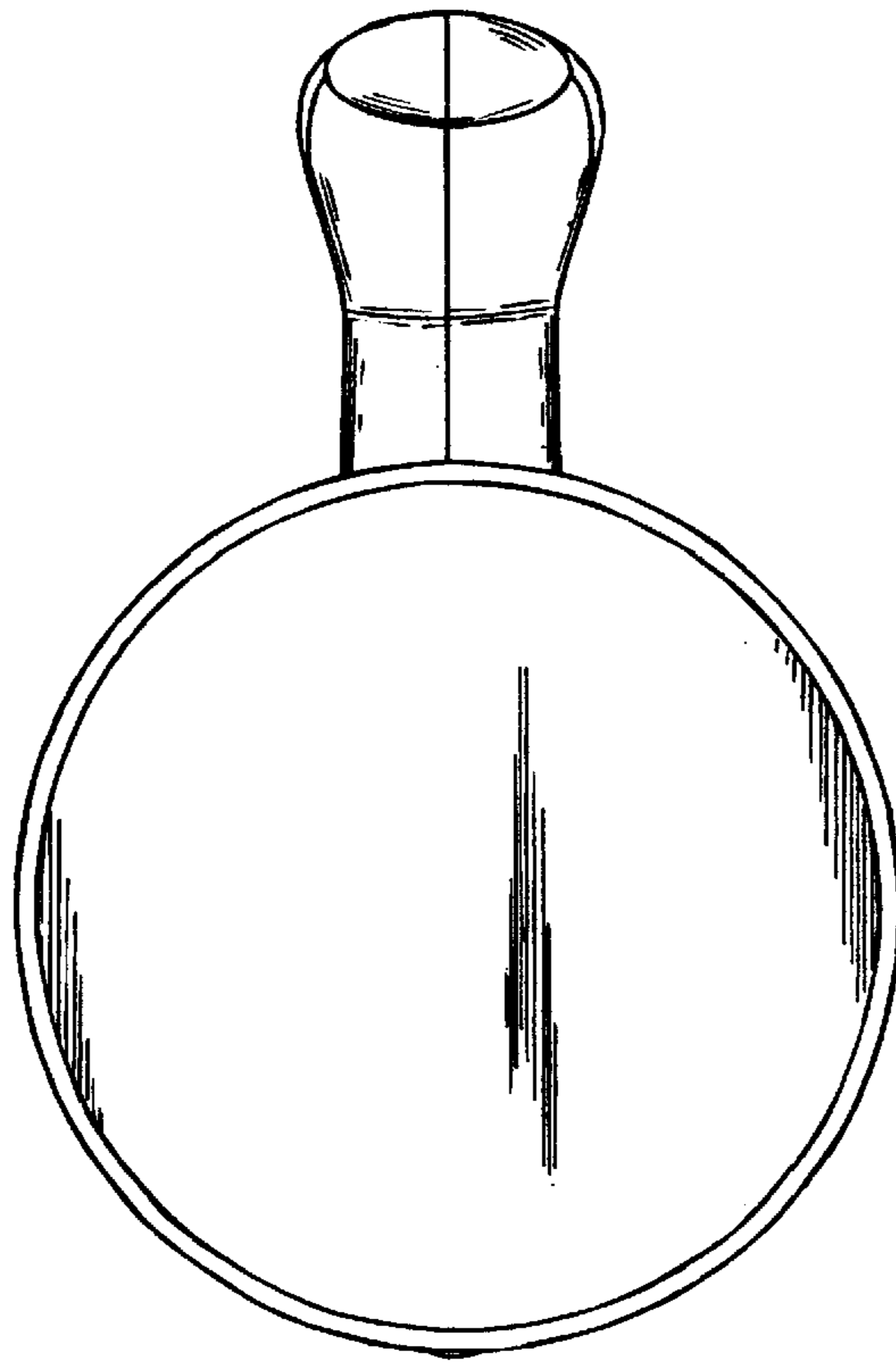


FIG. 18

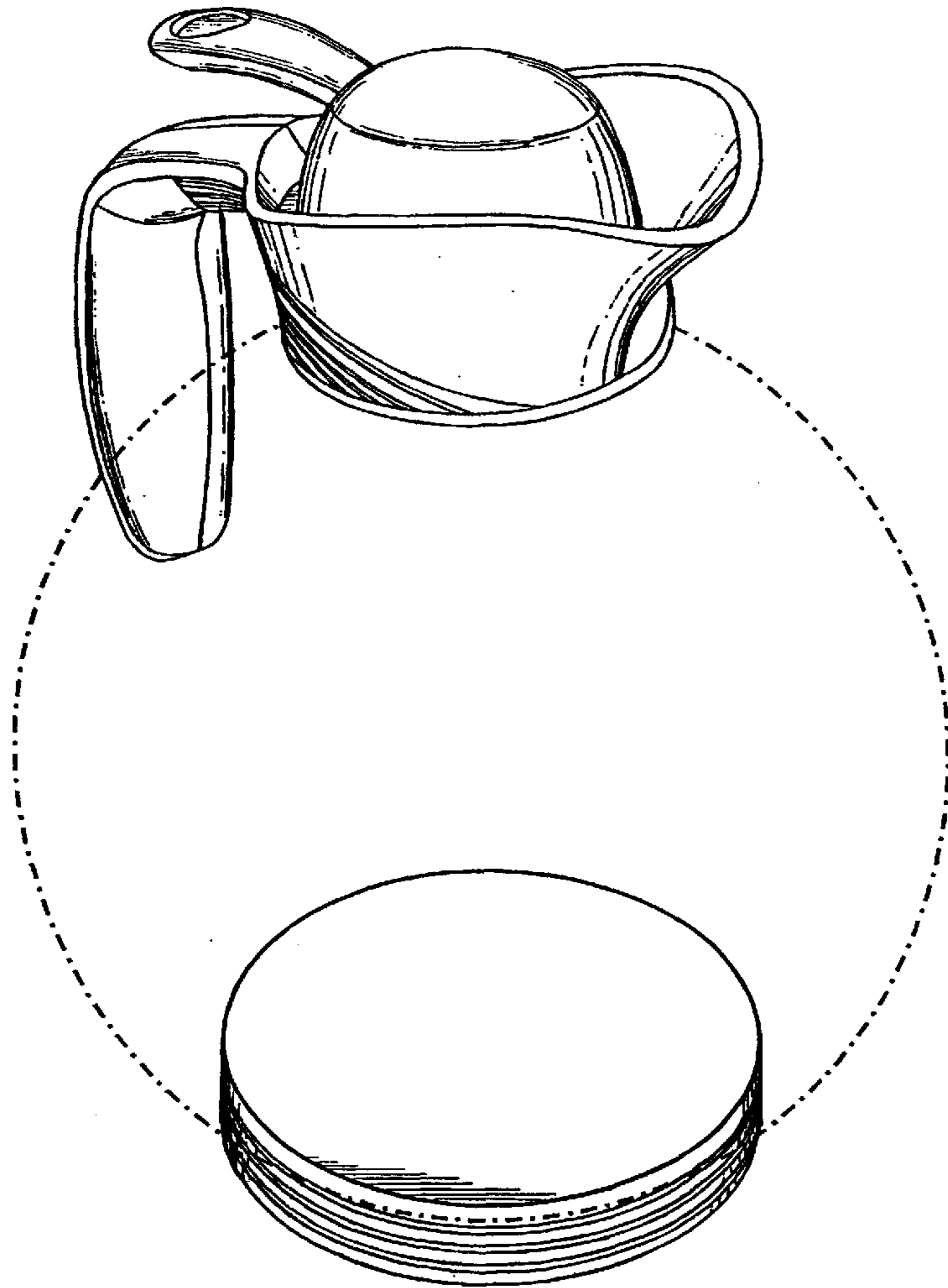
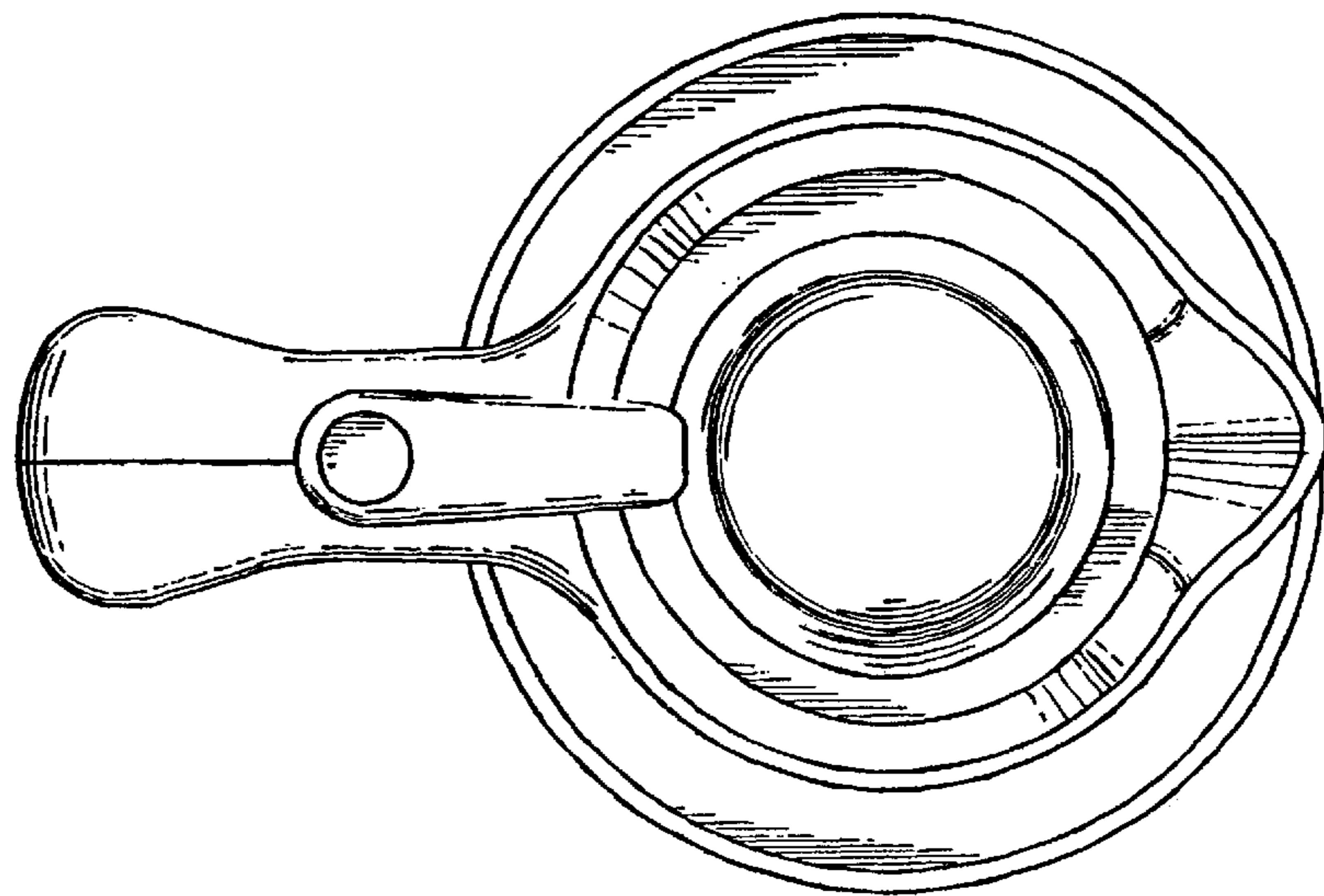


FIG. 19

FIG. 20



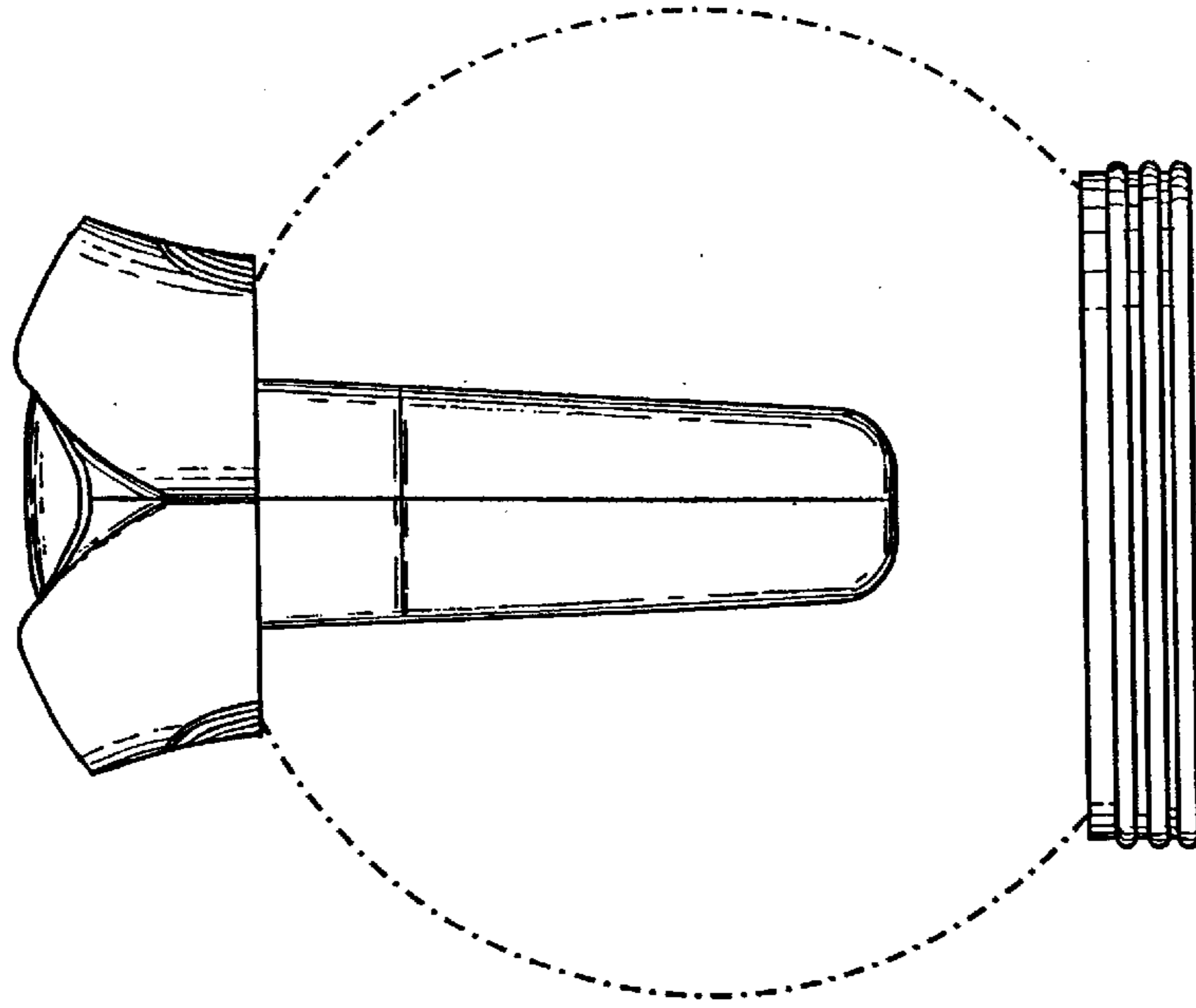


FIG. 22

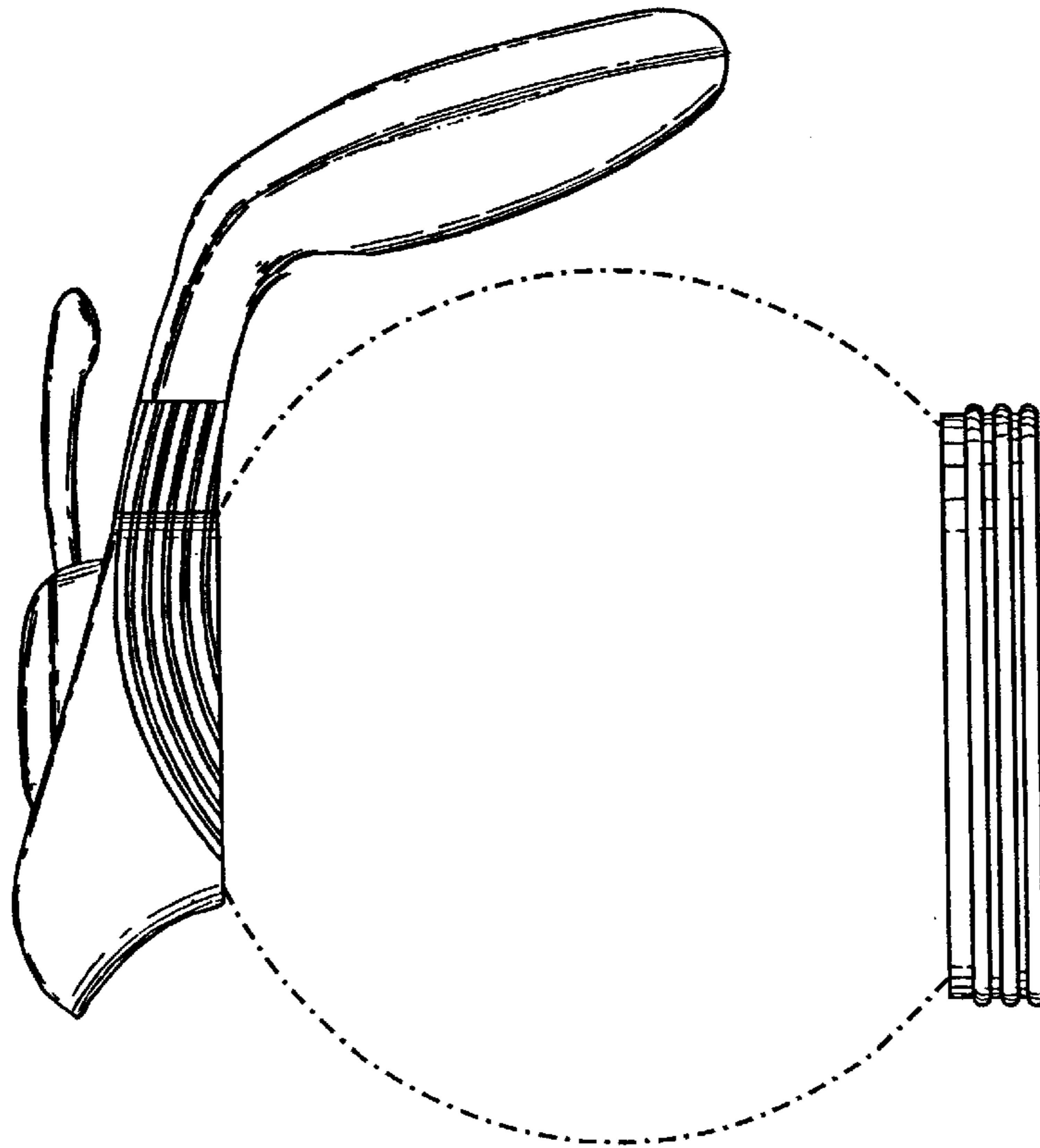


FIG. 21

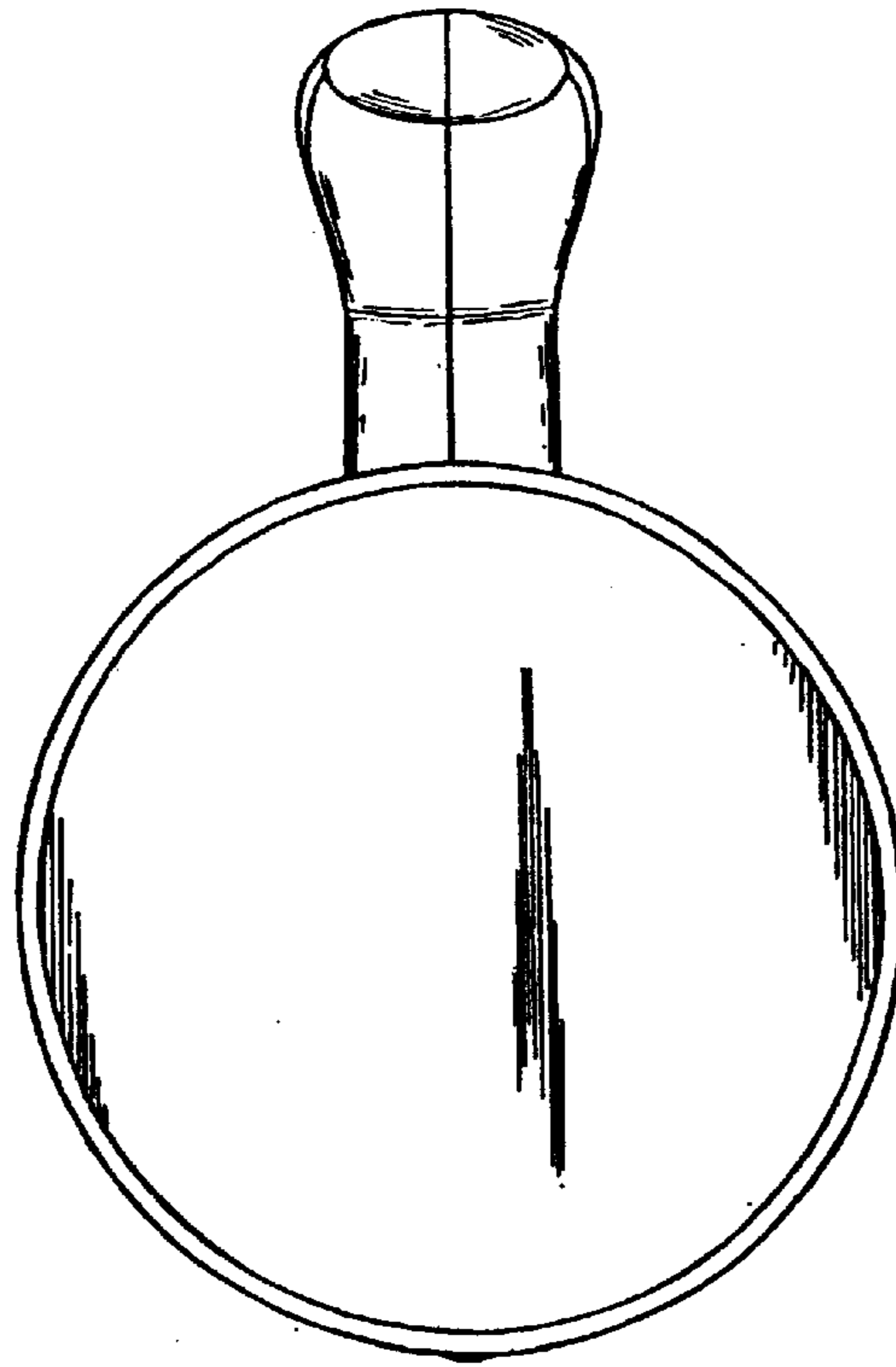


FIG. 24

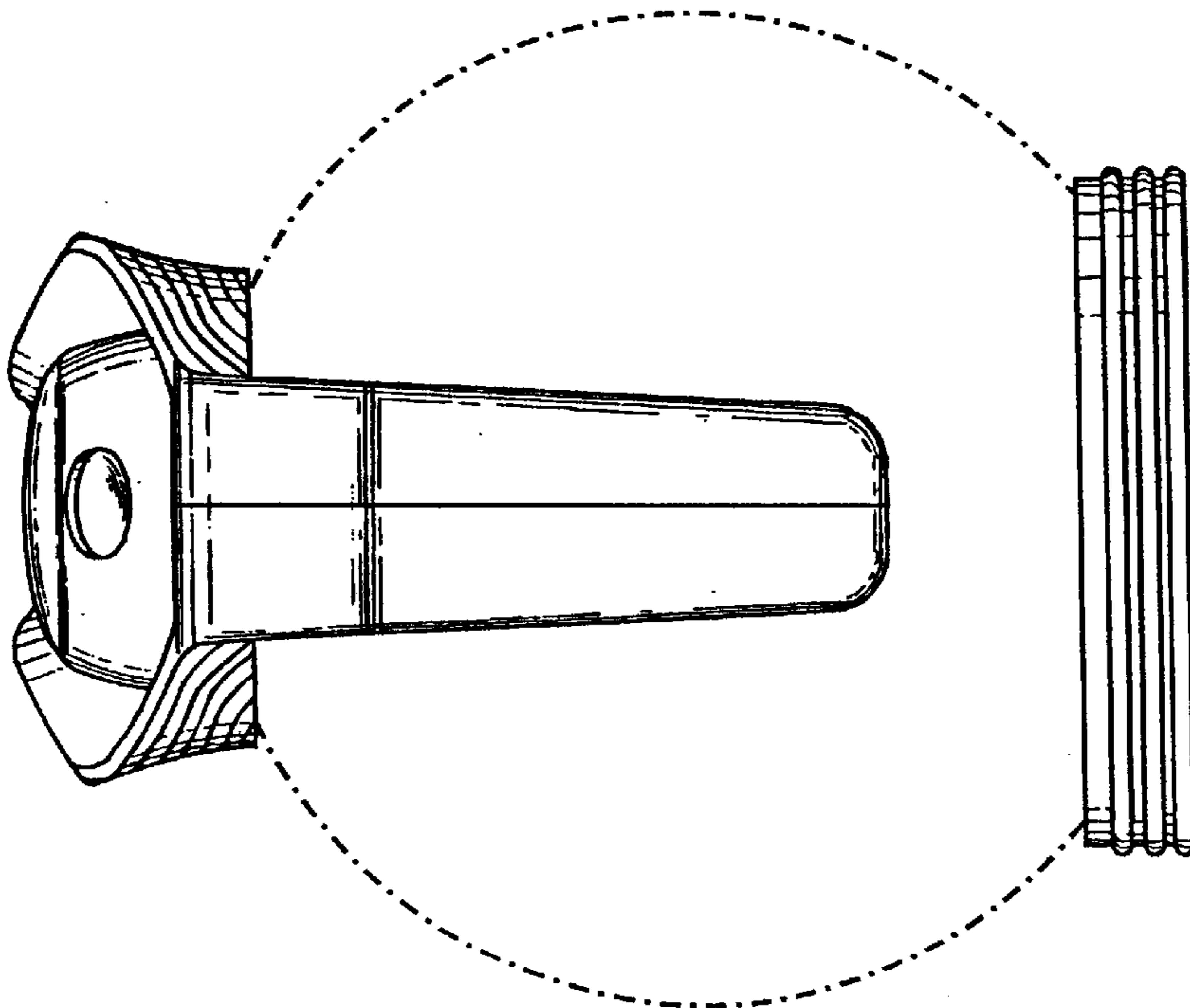


FIG. 23

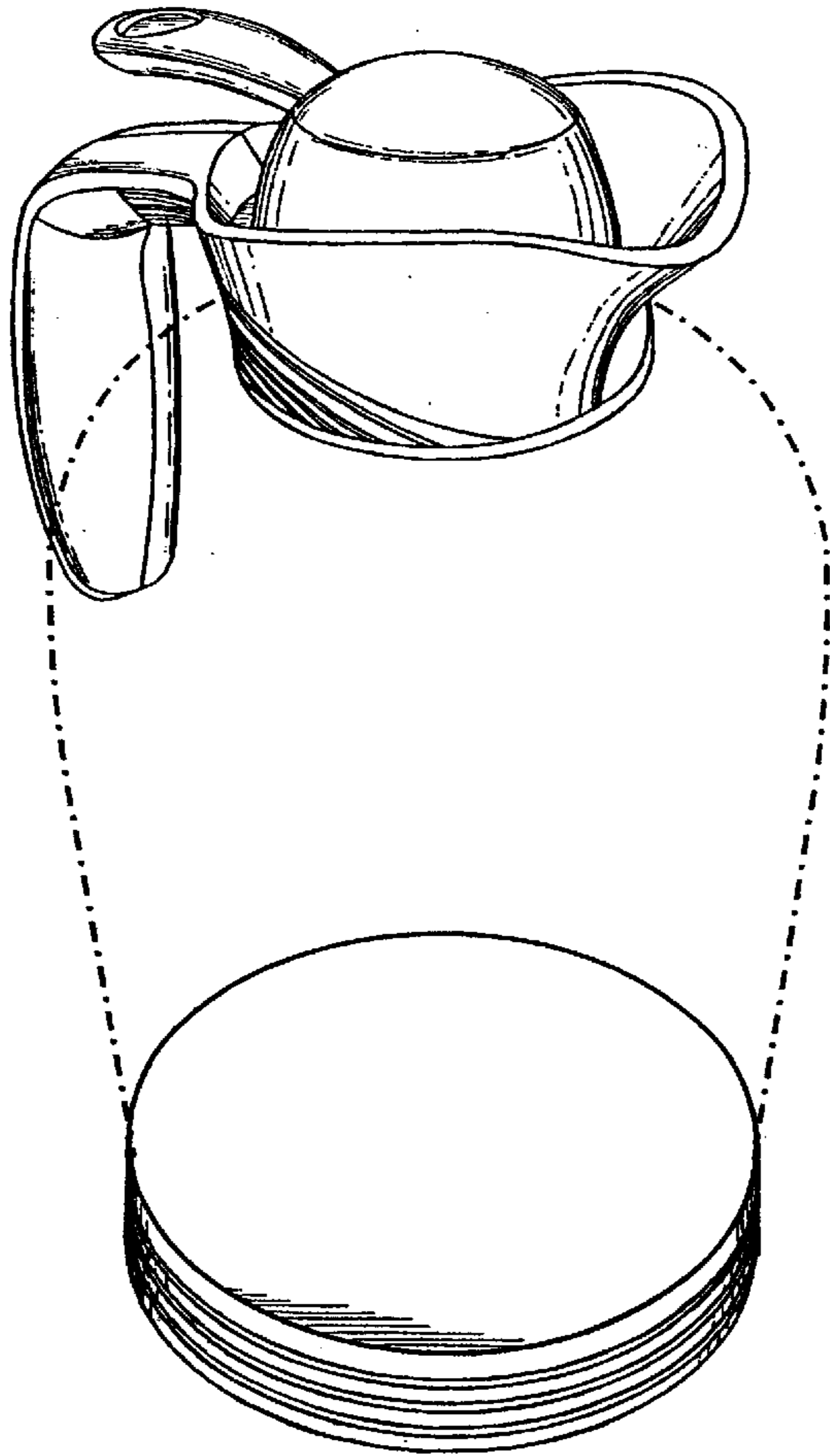
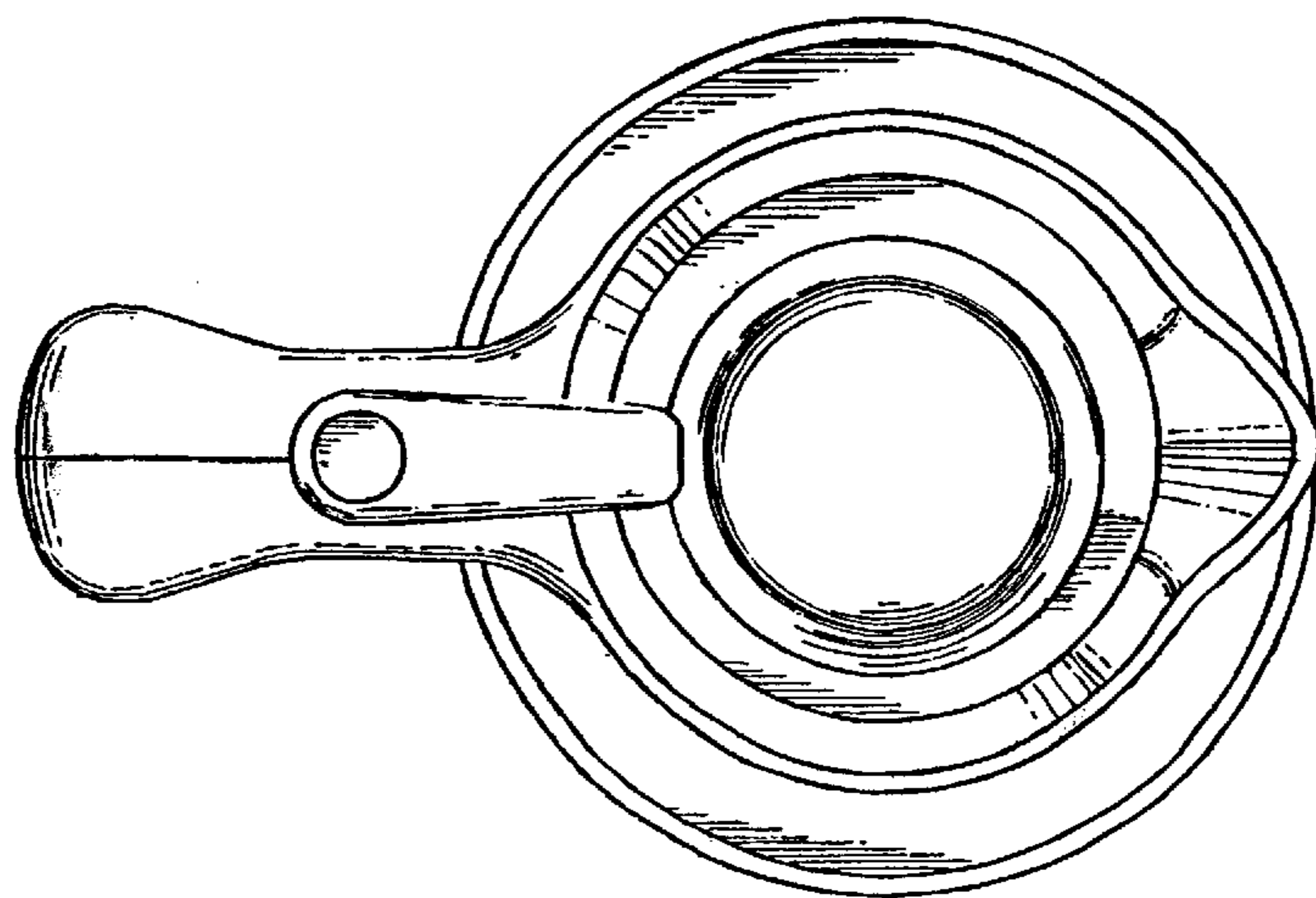


FIG. 25

FIG. 26



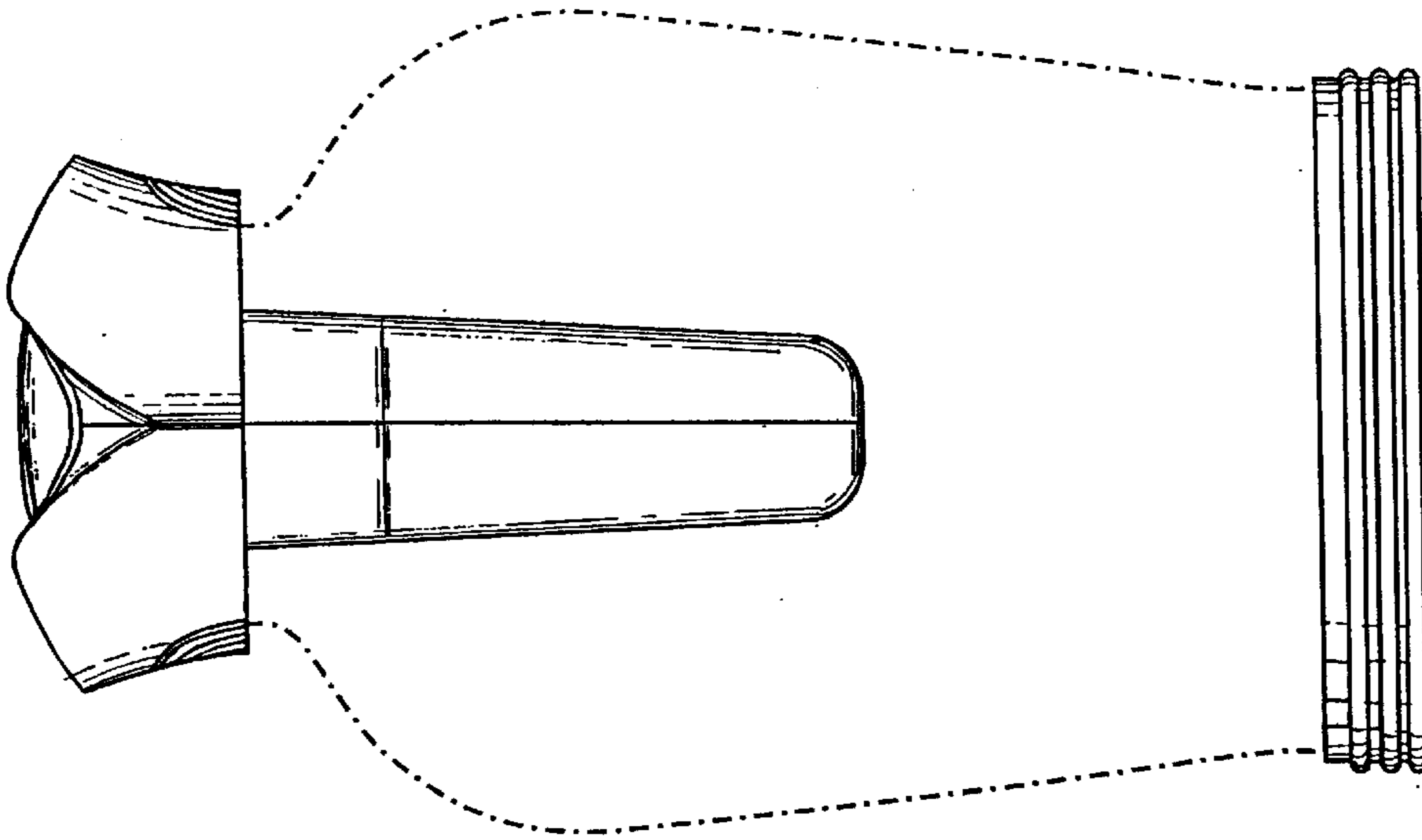


FIG. 27

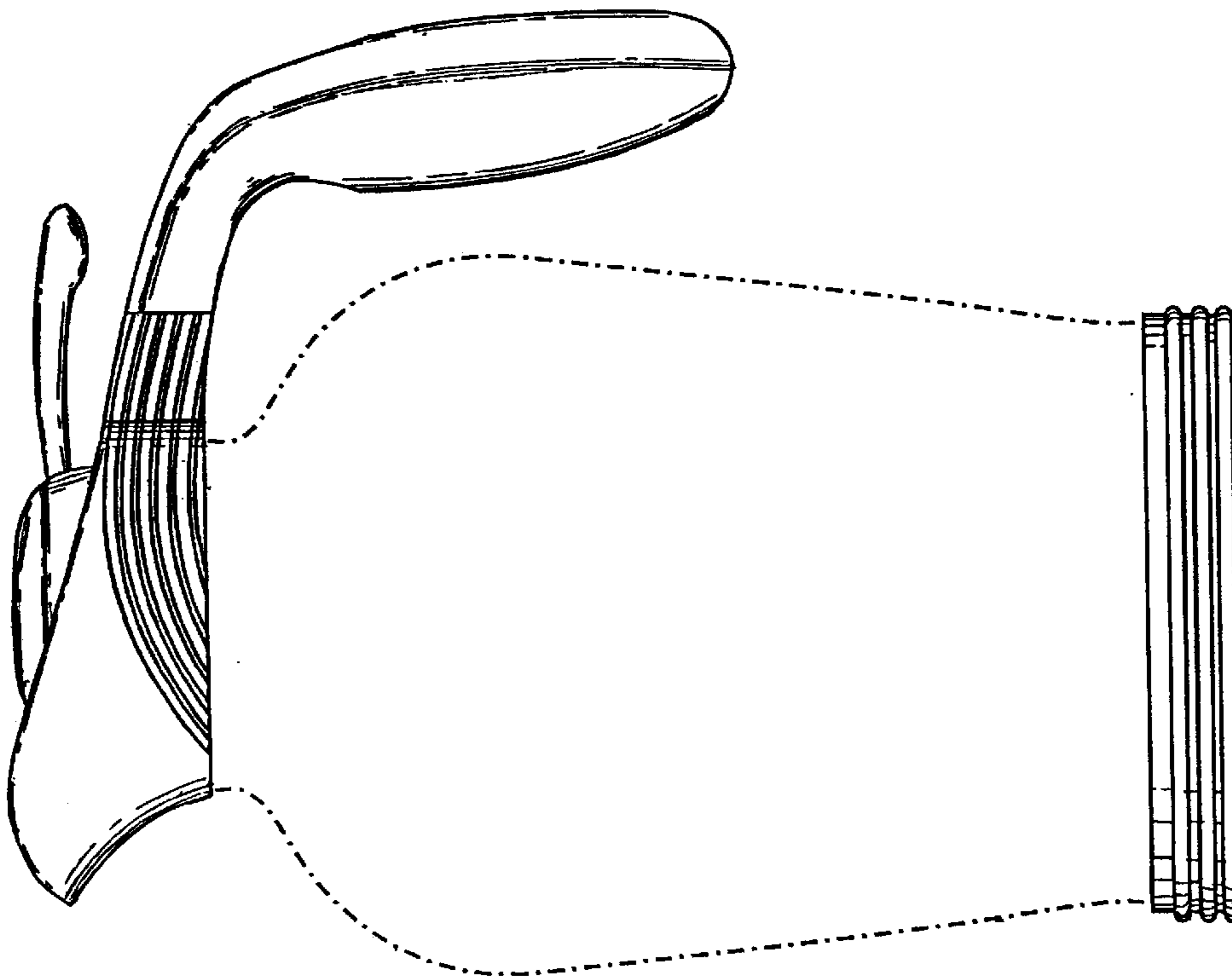


FIG. 28

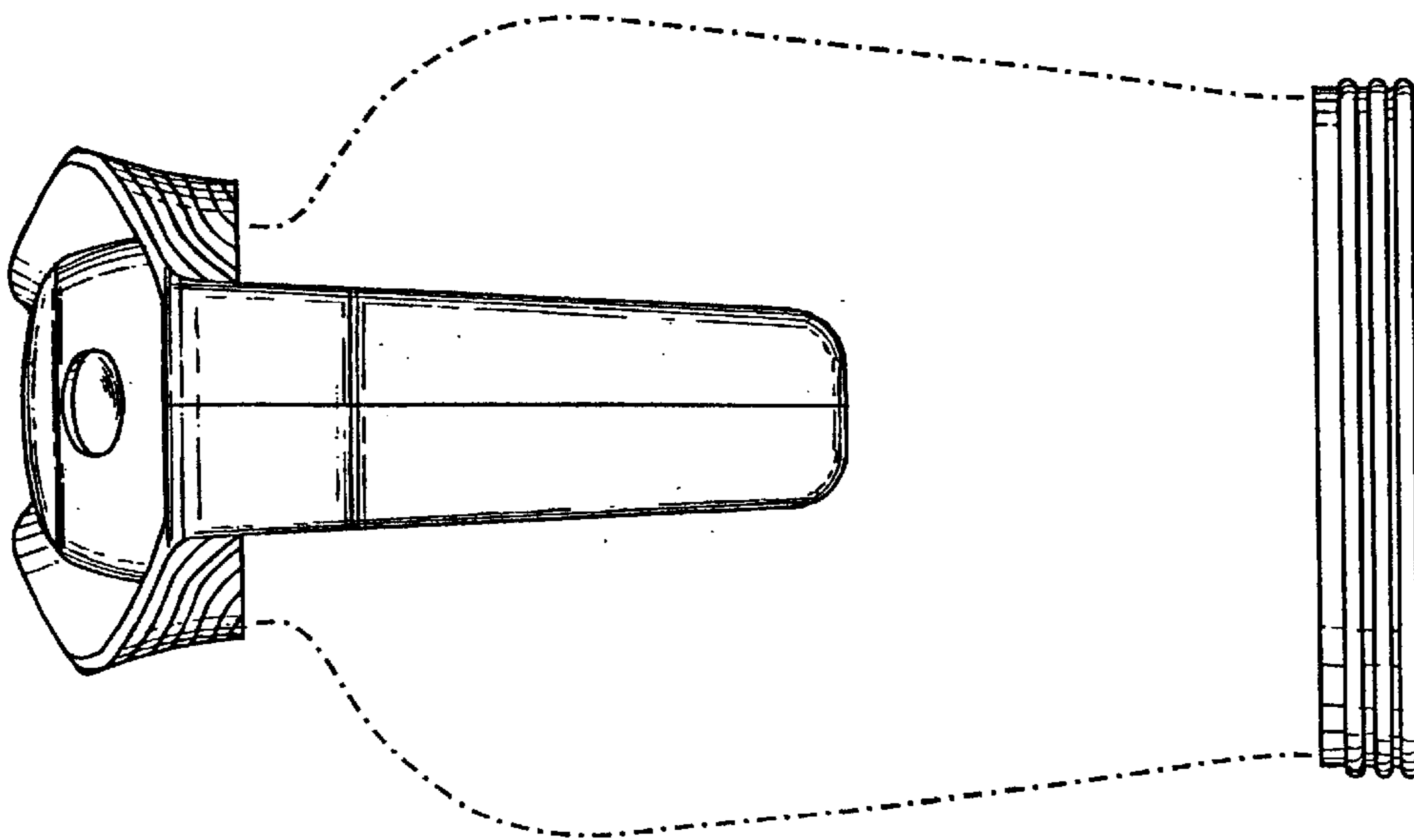


FIG. 29

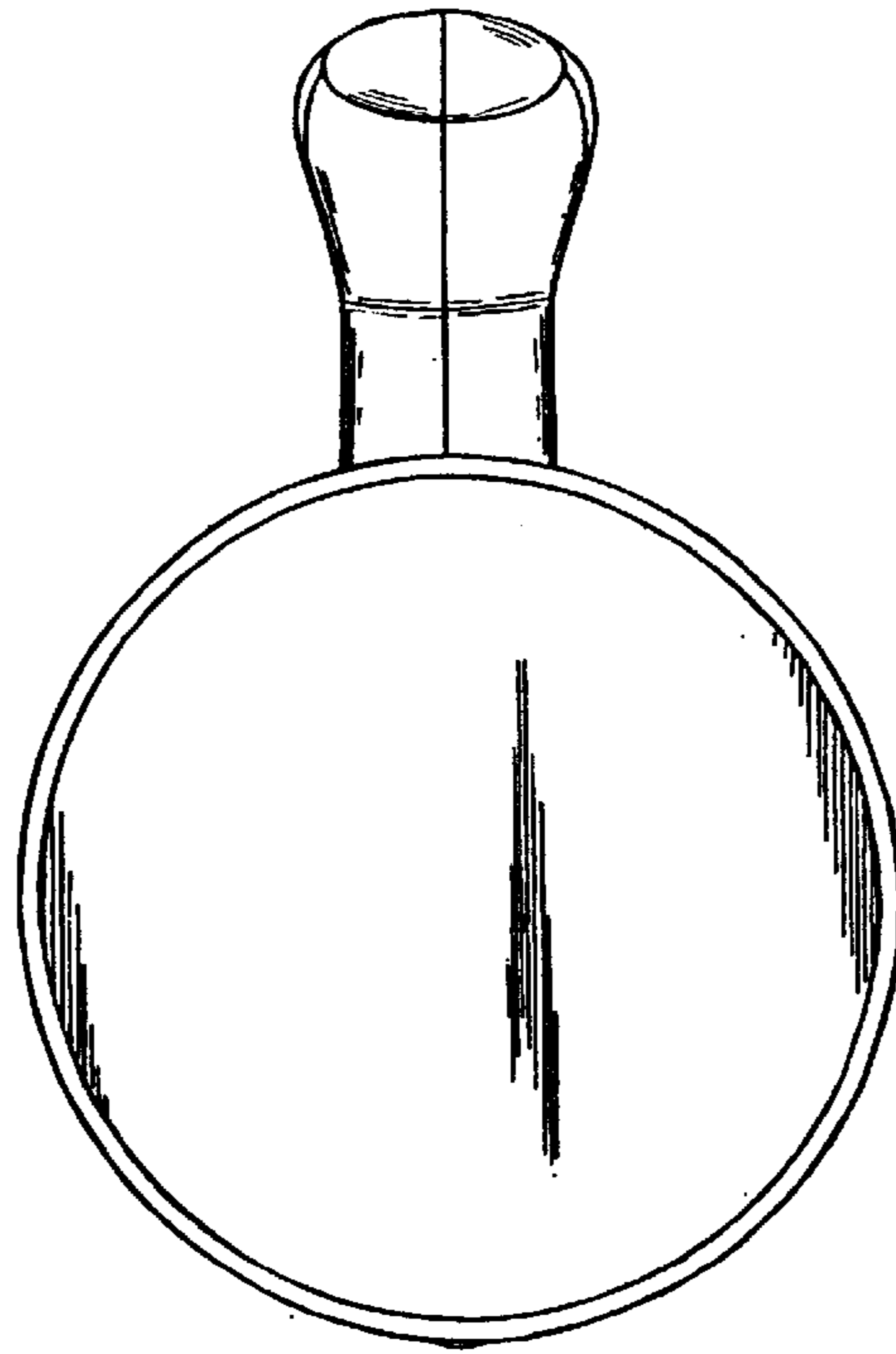


FIG. 30