



US00D536925S

(12) **United States Design Patent**
Macler et al.

(10) **Patent No.:** **US D536,925 S**

(45) **Date of Patent:** **** Feb. 20, 2007**

(54) **SPIKE**

(76) Inventors: **Jeffrey E. Macler**, Route 1, Box 1710,
Tecumseh, MO (US) 65760; **Henry H.
Macler, II**, 2107 Oliver Rd., Monroe,
LA (US) 71201; **Don Miller**, 4 Red
Cedar Ct., Belleville, IL (US) 62220

(**) **Term:** **14 Years**

D362,183 S * 9/1995 Villing D9/437
D365,630 S * 12/1995 Sullivan D24/112
D403,398 S * 12/1998 Guala et al. D24/112
5,855,298 A * 1/1999 Teetsel et al. 222/81
6,095,433 A * 8/2000 Langdon 239/272
6,098,844 A 8/2000 Nicolle
6,398,073 B1 6/2002 Nicolle
6,484,440 B2 * 11/2002 Brown 47/57.5
D485,525 S * 1/2004 Dvorak D12/215
6,719,719 B2 * 4/2004 Carmel et al. 604/82

(21) **Appl. No.:** **29/221,069**

(22) **Filed:** **Jan. 11, 2005**

(51) **LOC (8) Cl.** **07-99**

(52) **U.S. Cl.** **D7/398; D7/397; D7/387**

(58) **Field of Classification Search** D7/300,
D7/398, 387, 313, 397; D10/66; D24/112;
D9/434, 437; 604/272, 411; 222/90, 81, 525;
428/77; 99/293

See application file for complete search history.

FOREIGN PATENT DOCUMENTS

CA 1 192 164 8/1985
CA 1229073 11/1987
CA 1 229 073 11/1987
CN 03209721.2 8/2004
CN 03231908.8 8/2004

* cited by examiner

Primary Examiner—M. N. Pandozzi

(74) *Attorney, Agent, or Firm*—Lewis, Rice & Fingersh,
L.C.

(56) **References Cited**

U.S. PATENT DOCUMENTS

1,889,557 A * 11/1932 Lange 222/90
2,453,133 A * 11/1948 Jones 222/81
2,552,155 A * 5/1951 Danielson 222/81
2,751,119 A * 6/1956 Manning, Sr. 222/81
3,206,073 A * 9/1965 Scislowicz 222/80
3,239,104 A * 3/1966 Scholle 222/81
3,343,724 A * 9/1967 Malpas 222/90
D228,969 S * 10/1973 Burke et al. D24/112
3,792,799 A * 2/1974 Henfrey 222/1
3,831,814 A * 8/1974 Butler 222/81
D268,698 S * 4/1983 Knute D24/112
D272,850 S * 2/1984 Kulle D24/112
D285,055 S * 8/1986 Heubel D9/434
4,838,877 A * 6/1989 Massau 604/272
4,852,473 A * 8/1989 Azpitarte Bolivar 99/293
D357,733 S * 4/1995 Matkovich D24/112

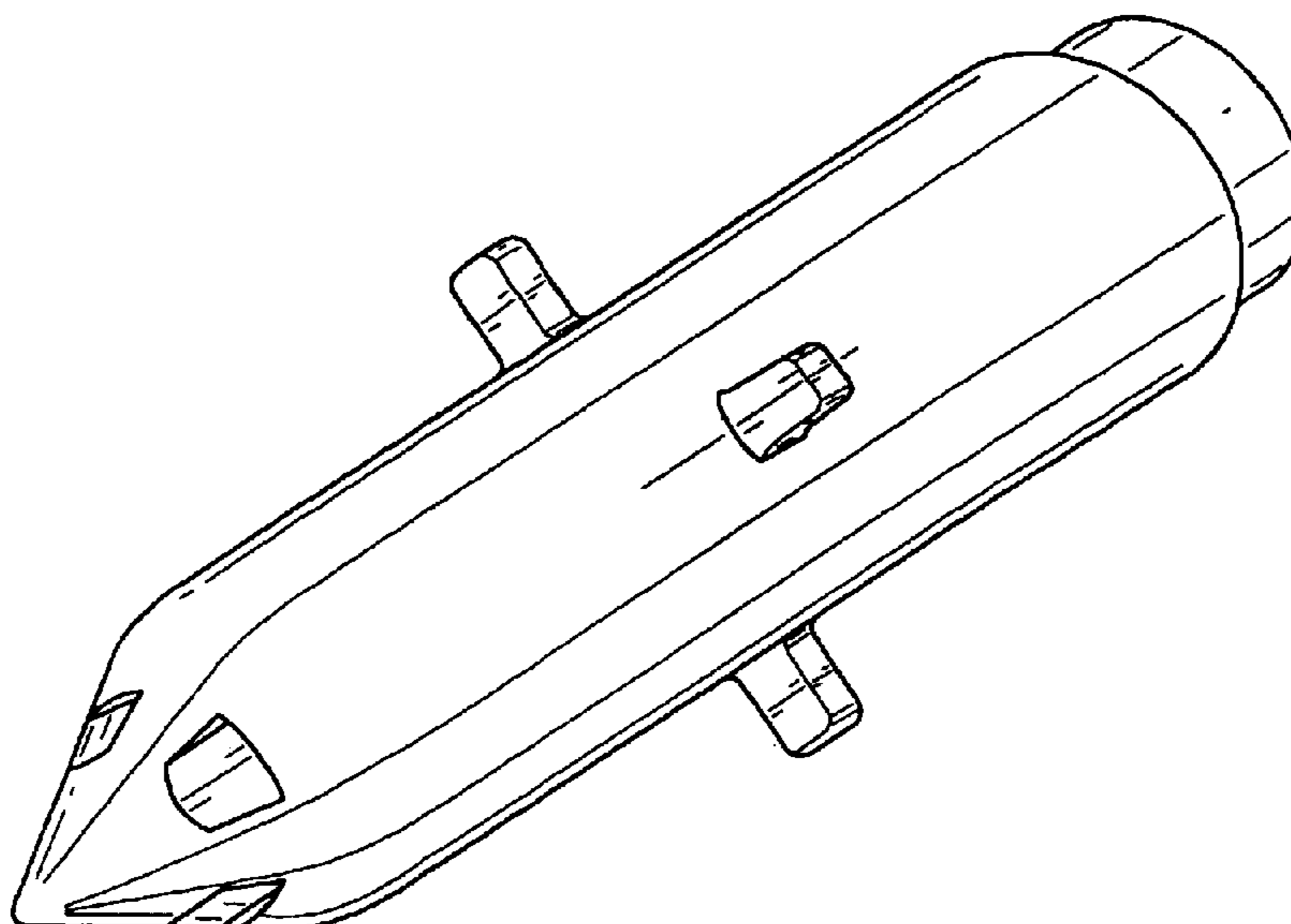
(57) **CLAIM**

The ornamental design for a spike, as shown and described.

DESCRIPTION

FIG. 1 is a perspective view of a spike showing our new design;
FIG. 2 is a top plan view thereof;
FIG. 3 is a bottom plan view thereof;
FIG. 4 is a right side elevational view thereof;
FIG. 5 is a left side elevational view thereof;
FIG. 6 is a front elevational view thereof; and,
FIG. 7 is a rear elevational view thereof.
The broken lines in FIG. 3 are for illustrative purposes only and form no part of the claimed design.

1 Claim, 4 Drawing Sheets



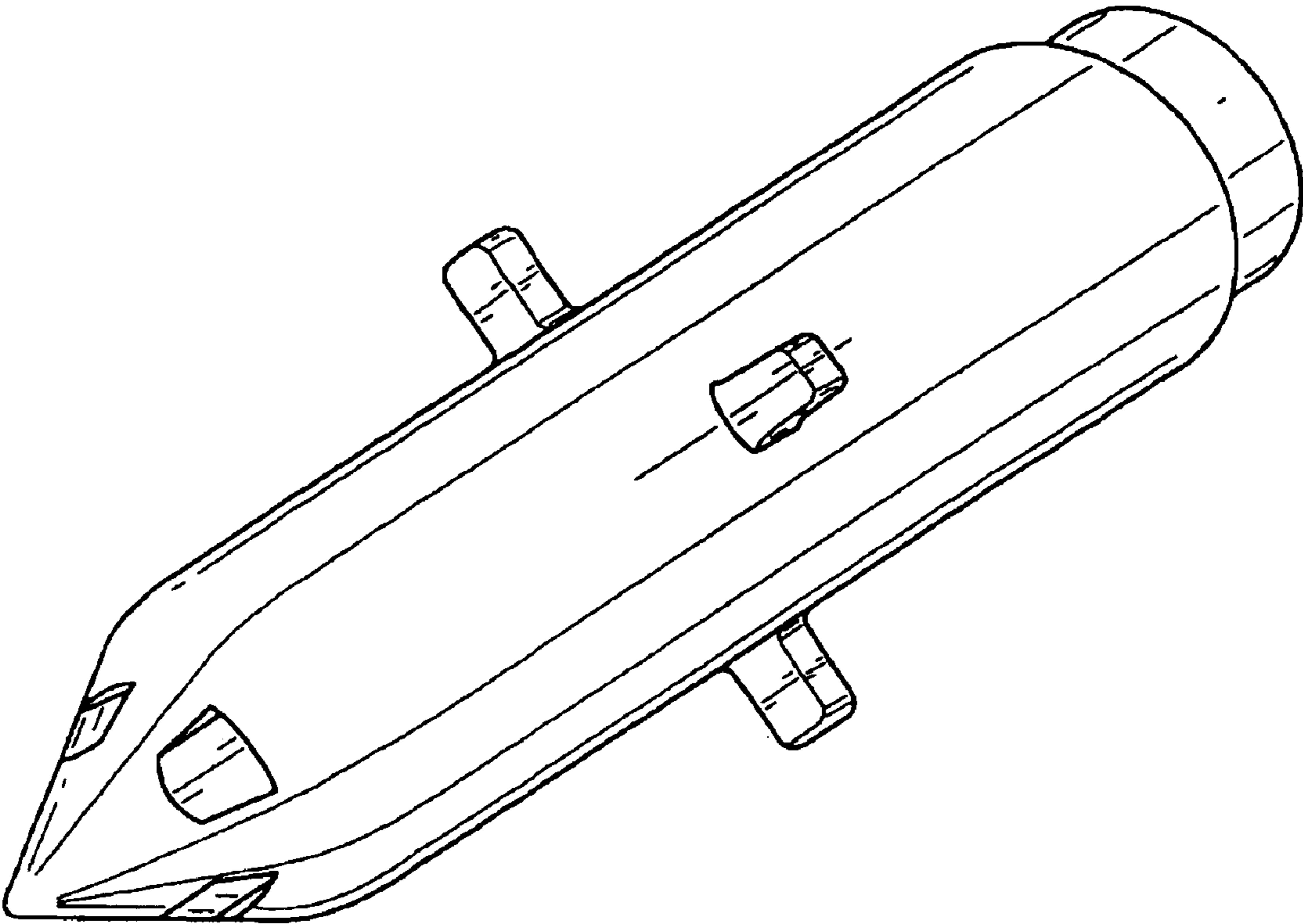


FIG. 1

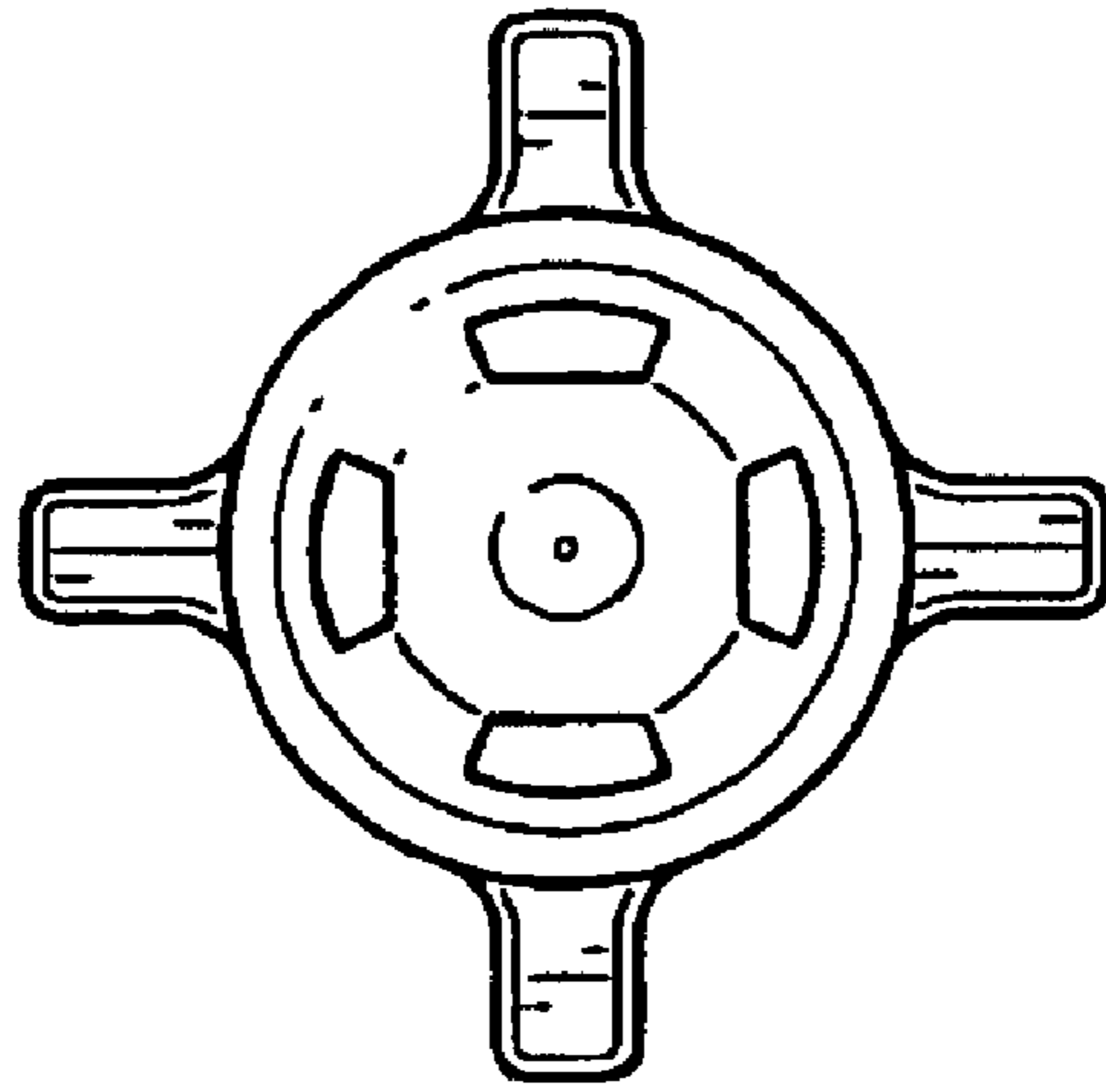


FIG. 2

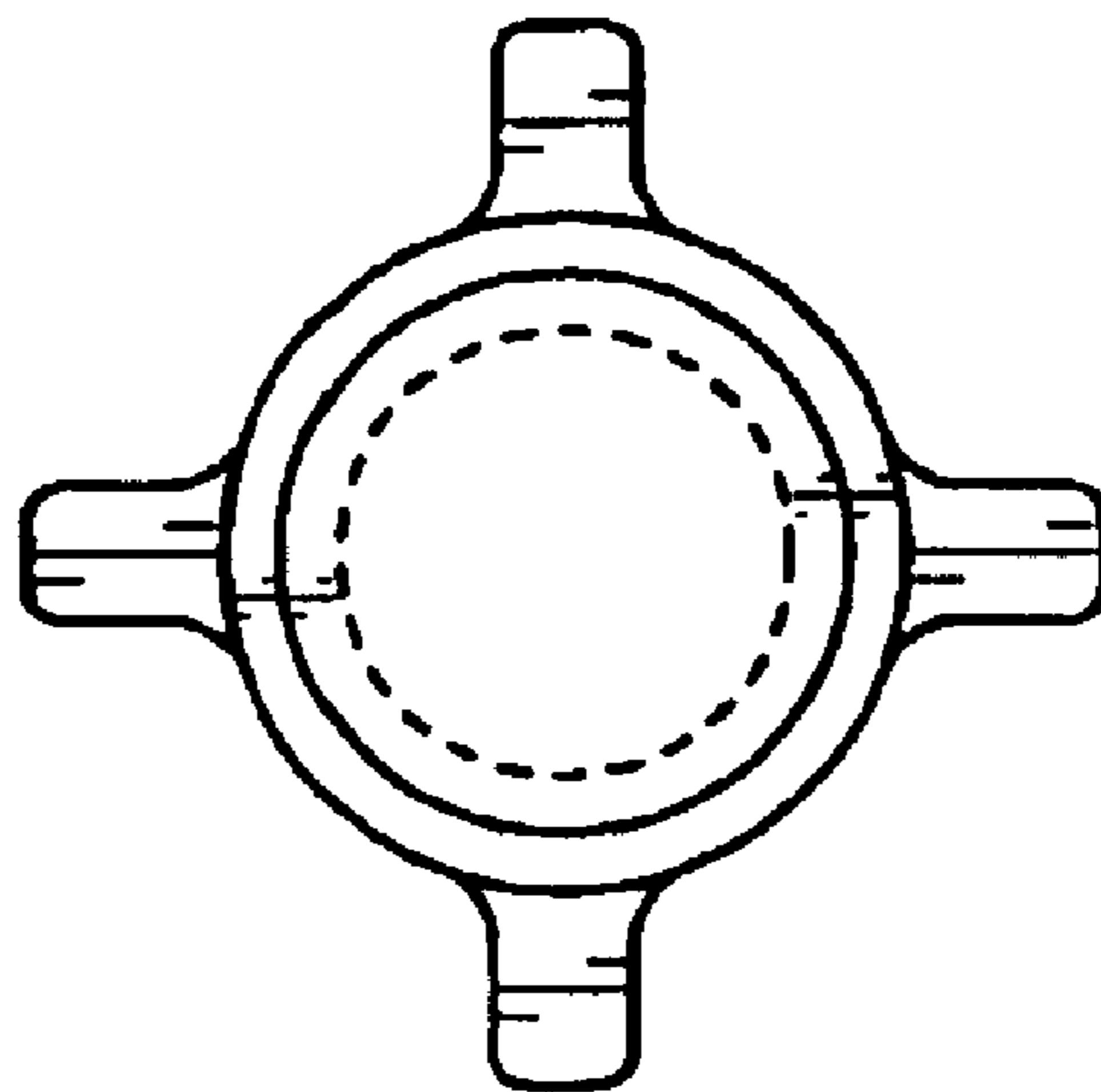


FIG. 3

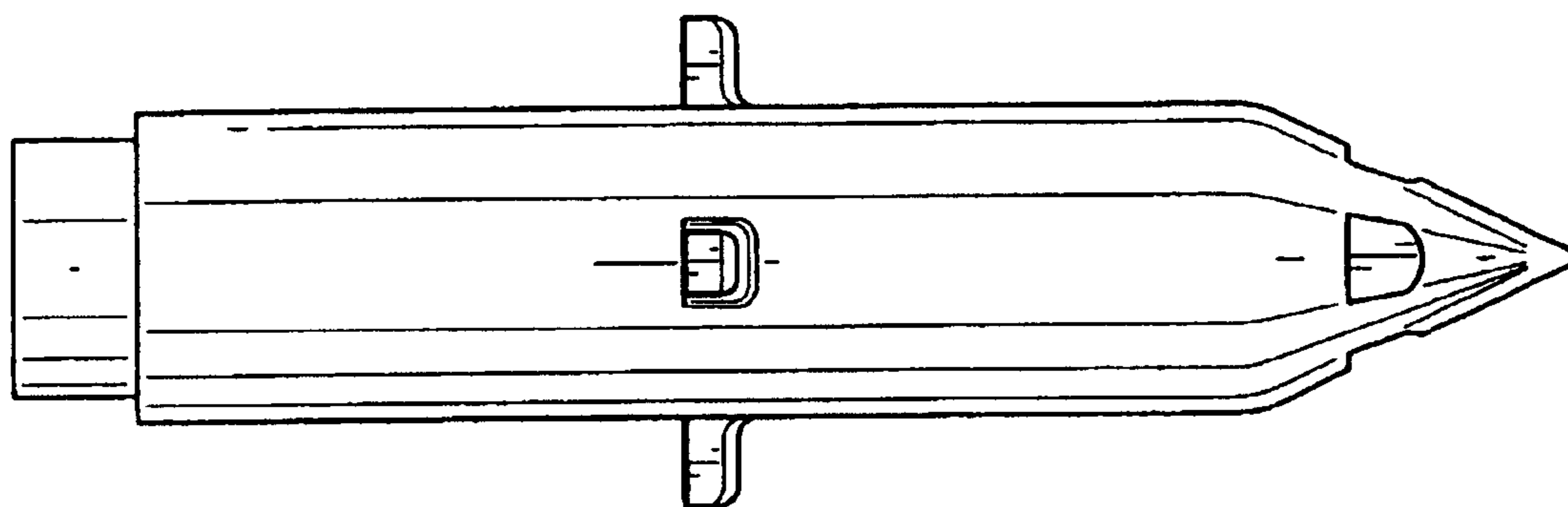


FIG. 4

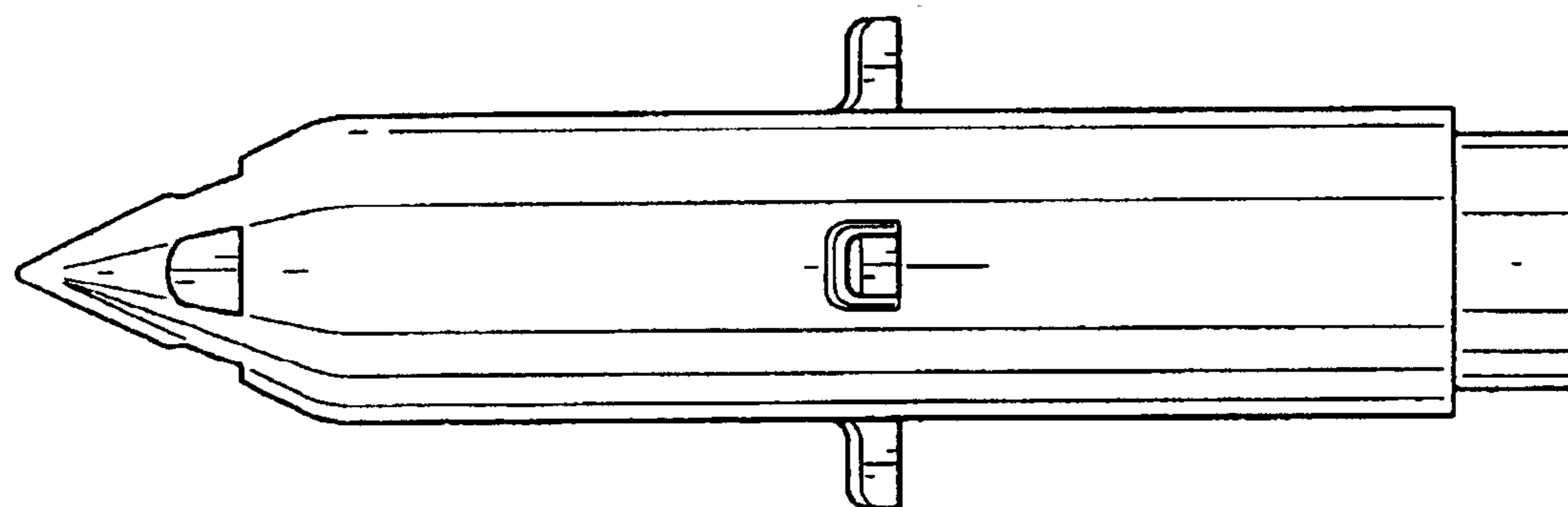


FIG. 5

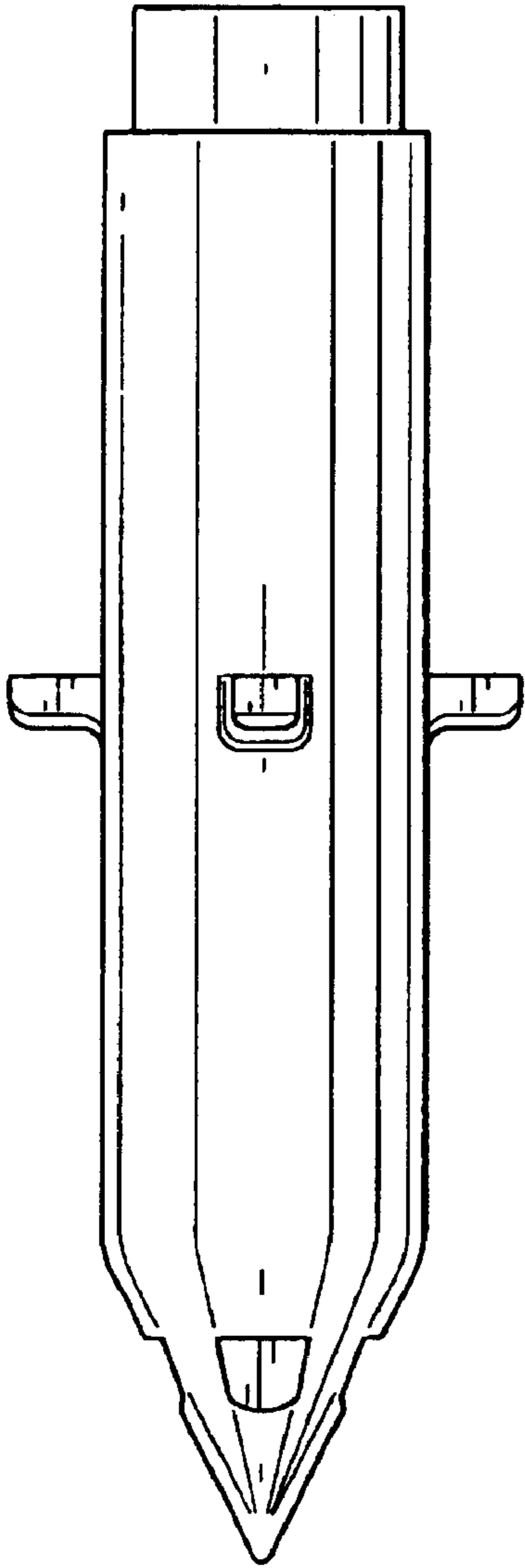


FIG. 6

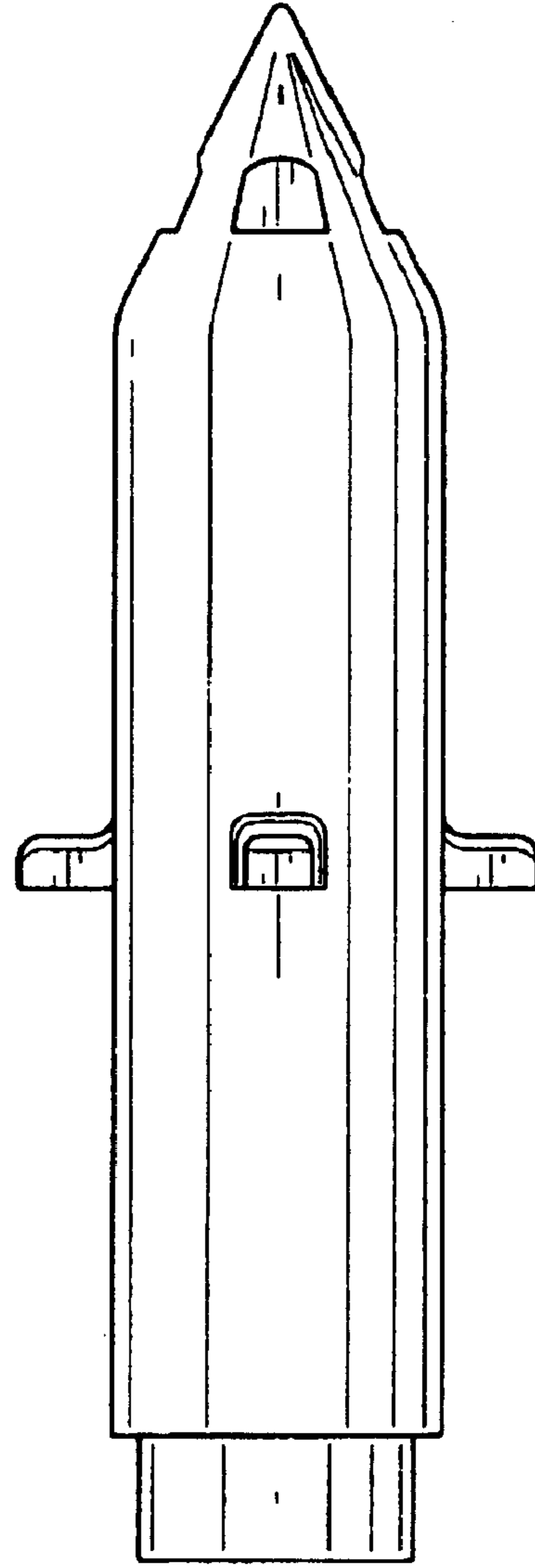


FIG. 7