



US00D536923S

(12) **United States Design Patent**  
**Roth et al.**

(10) **Patent No.: US D536,923 S**

(45) **Date of Patent: \*\* \*Feb. 20, 2007**

(54) **LID FOR A CONTAINER**

(76) Inventors: **Donna Roth**, 10 Cordage Park Cir.,  
Suite 212, Plymouth, MA (US) 02360;  
**Henry Roth**, 10 Cordage Park Cir.,  
Suite 212, Plymouth, MA (US) 02360

(\*) Notice: This patent is subject to a terminal disclaimer.

(\*\*) Term: **14 Years**

(21) Appl. No.: **29/210,422**

(22) Filed: **Jul. 30, 2004**

**Related U.S. Application Data**

(63) Continuation-in-part of application No. 29/209,746, filed on Jul. 21, 2004, now Pat. No. Des. 511,435, and a continuation-in-part of application No. 29/210,287, filed on Jul. 29, 2004, now abandoned.

(51) **LOC (8) Cl.** ..... **07-02**

(52) **U.S. Cl.** ..... **D7/392.1**

(58) **Field of Classification Search** ..... D7/317-319,  
D7/391-392.1, 396.2, 510-511, 629; D9/435,  
D9/440, 444, 447, 449-450, 454, 503-504;  
215/211, 200, 224, 243; 220/700, 701, 703,  
220/711, 713-715, 719

See application file for complete search history.

(56) **References Cited**

**U.S. PATENT DOCUMENTS**

D277,632 S	*	2/1985	Staufenberg	.....	D7/629
D282,044 S	*	1/1986	McClelland	.....	D7/392
D304,658 S	*	11/1989	Mattei	.....	D7/505
D304,659 S	*	11/1989	Asner	.....	D7/505
5,231,850 A		8/1993	Morris		
5,345,784 A		9/1994	Bazemore et al.		
D363,644 S	*	10/1995	Wyatt et al.	.....	D7/553.6
D384,554 S		10/1997	Ancona et al.		
5,869,120 A		2/1999	Blazevich		
D415,652 S	*	10/1999	Loew et al.	.....	D7/392.1
6,021,903 A	*	2/2000	Hanson	.....	206/541

6,022,571 A		2/2000	Blazevich		
D422,907 S	*	4/2000	Sagan et al.	.....	D9/428
6,044,650 A		4/2000	Cook et al.		
D432,857 S	*	10/2000	Ming-Shiue	.....	D7/392.1
D432,858 S	*	10/2000	Hayes et al.	.....	D7/392.1
6,168,813 B1		1/2001	Blazevich		
6,318,114 B1		11/2001	Slaughter		
D452,146 S	*	12/2001	Lin	.....	D7/505
6,474,494 B1		11/2002	Miller et al.		
6,514,548 B2		2/2003	Lin		
D478,469 S	*	8/2003	Roth et al.	.....	D7/392.1
6,601,403 B1		8/2003	Roth et al.		
D511,435 S	*	11/2005	Roth et al.	.....	D7/392.1

\* cited by examiner

*Primary Examiner*—Holly Baynham

*Assistant Examiner*—Cynthia M. Chin

(74) *Attorney, Agent, or Firm*—Garcia-Zamor IP Law; Ruy M. Garcia-Zamor

(57) **CLAIM**

The ornamental design for a lid for a container, as shown and described.

**DESCRIPTION**

FIG. 1 is a perspective view of a lid for a container according to our new design;

FIG. 2 is a rear elevational view of the lid for a container of FIG. 1, the front elevational view being a mirror image thereof;

FIG. 3 is a top plan view of the lid for a container of FIG. 1;

FIG. 4 is a left side elevational view of the lid for a container of FIG. 1;

FIG. 5 is a bottom plan view of the lid for a container of FIG. 1; and,

FIG. 6 is a right side elevational view of the lid for a container of FIG. 1.

The dashed lines in FIGS. 1-6 represent environment and are for illustrative purposes only and do not constitute part of the claimed design. The phantom lines in FIGS. 1-6 define the border between claimed and unclaimed matter.

**1 Claim, 3 Drawing Sheets**

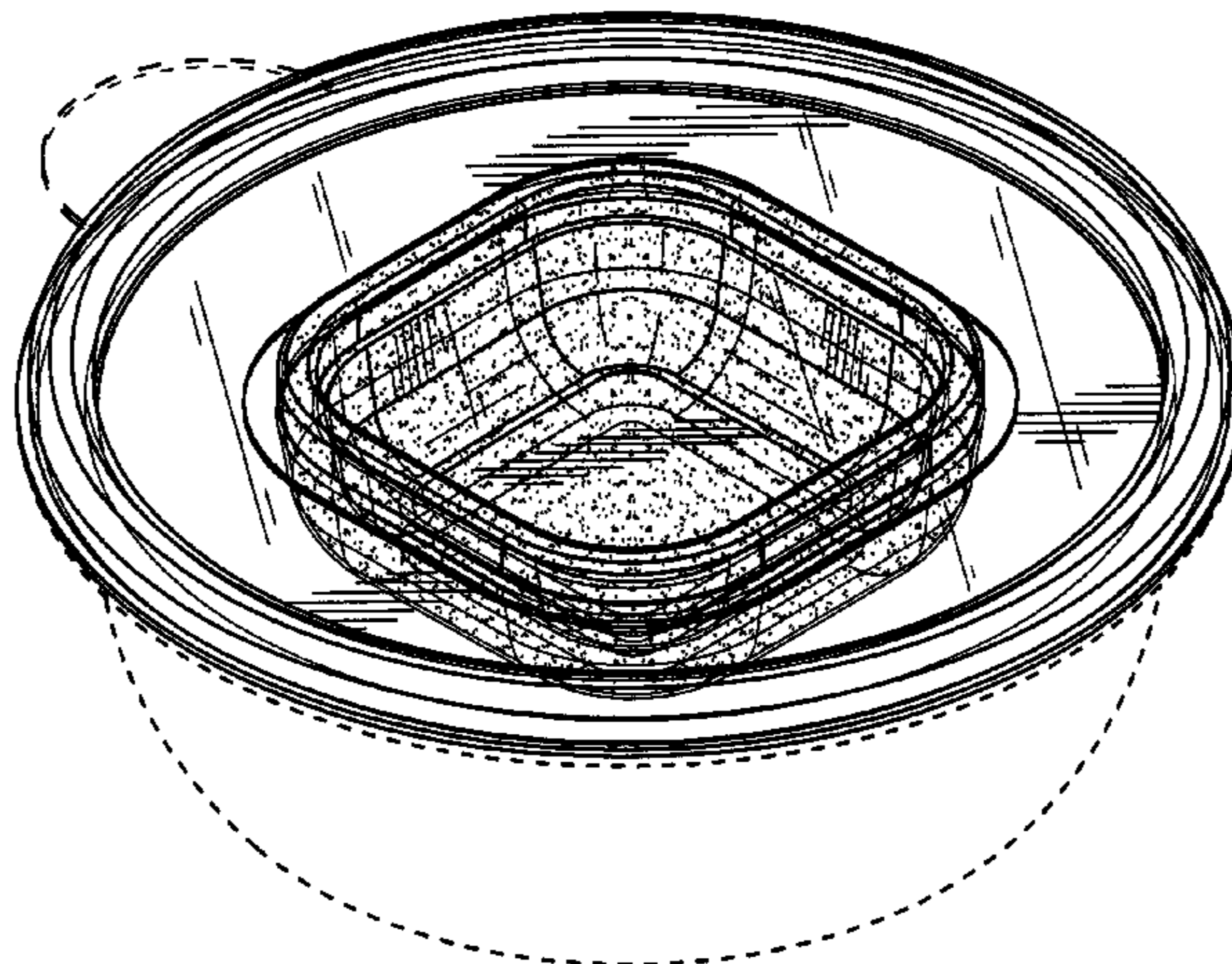


FIG. 1

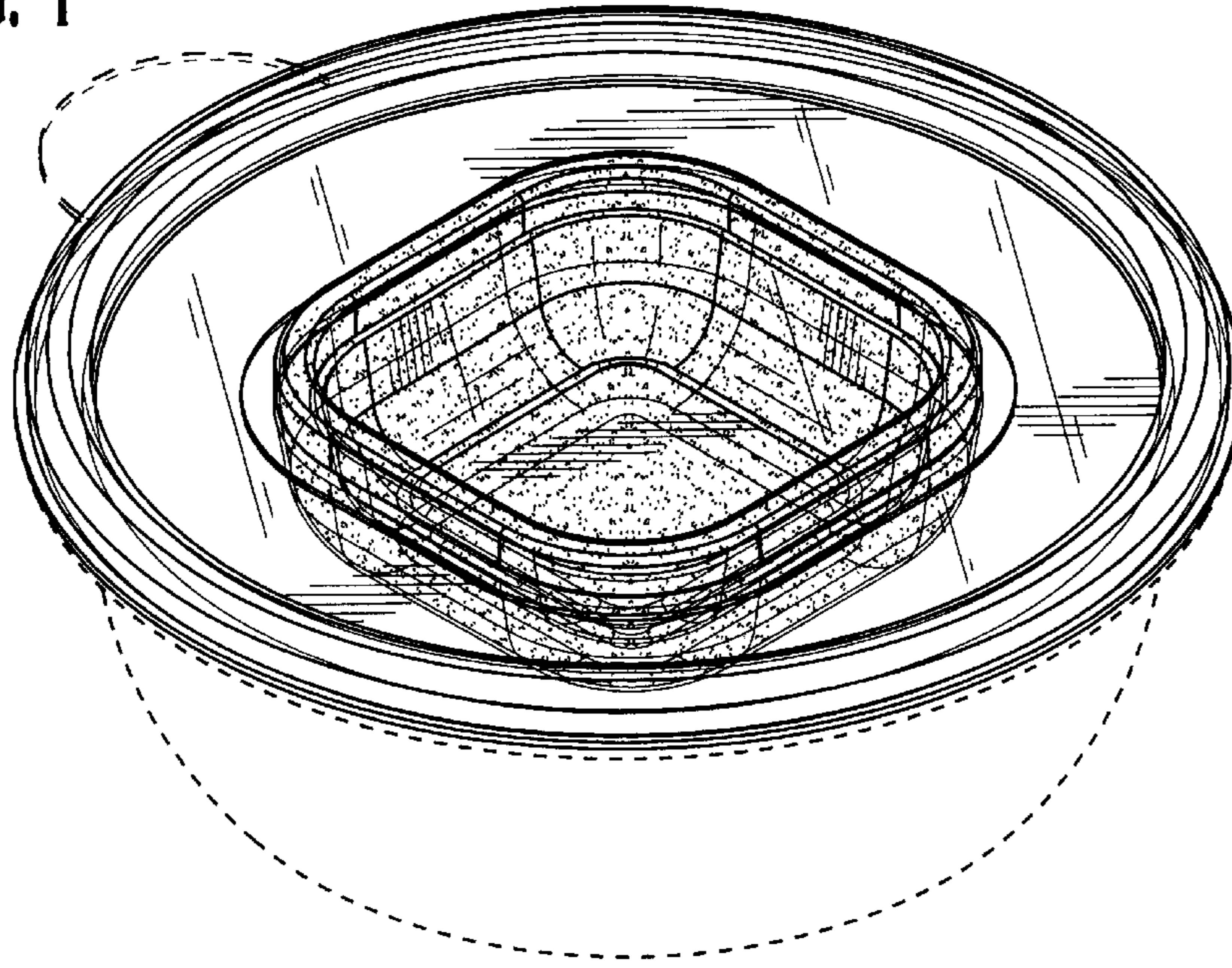


FIG. 2

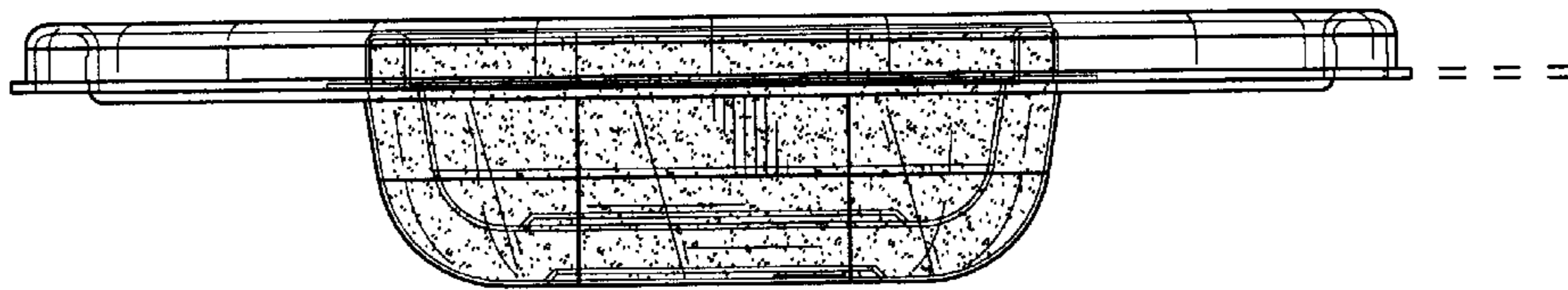


FIG. 3

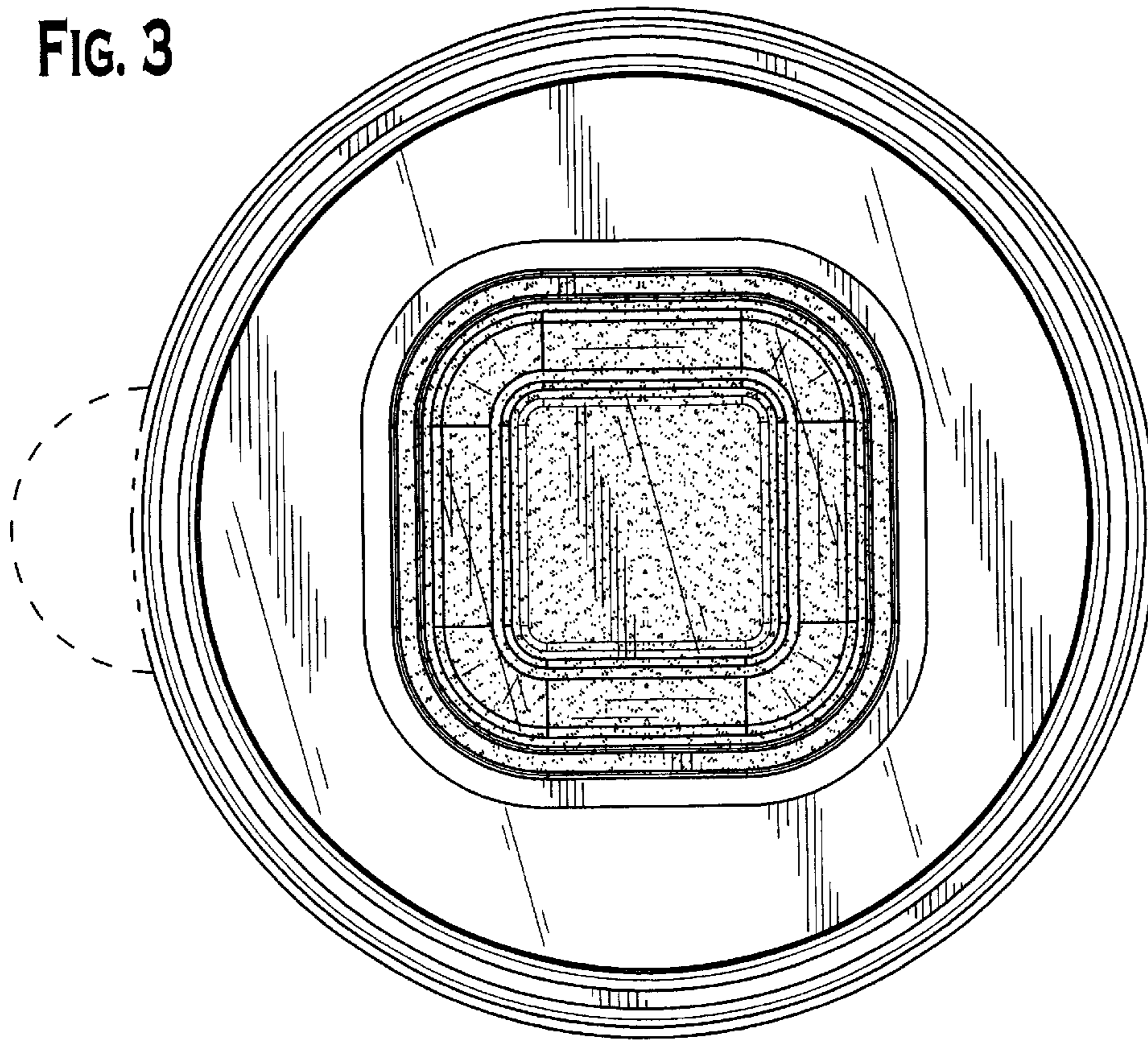


FIG. 4

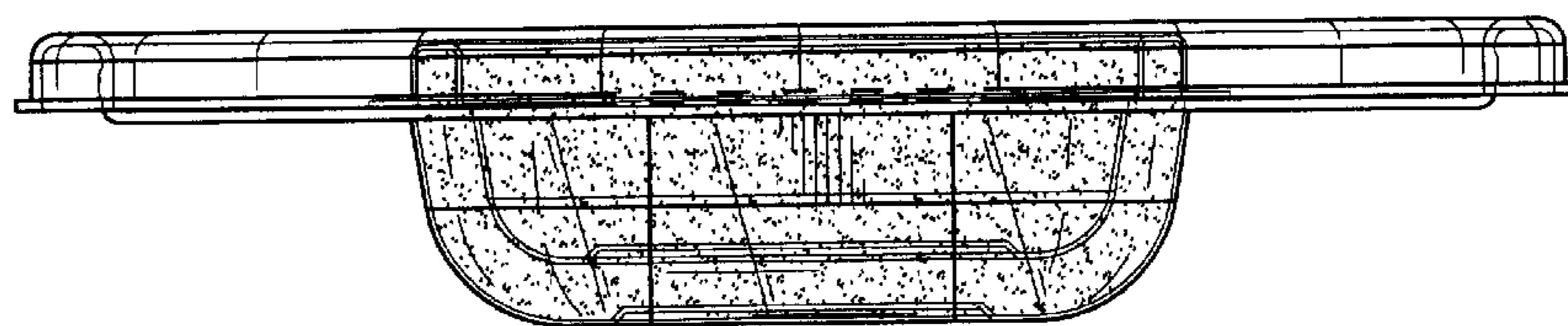


FIG. 5

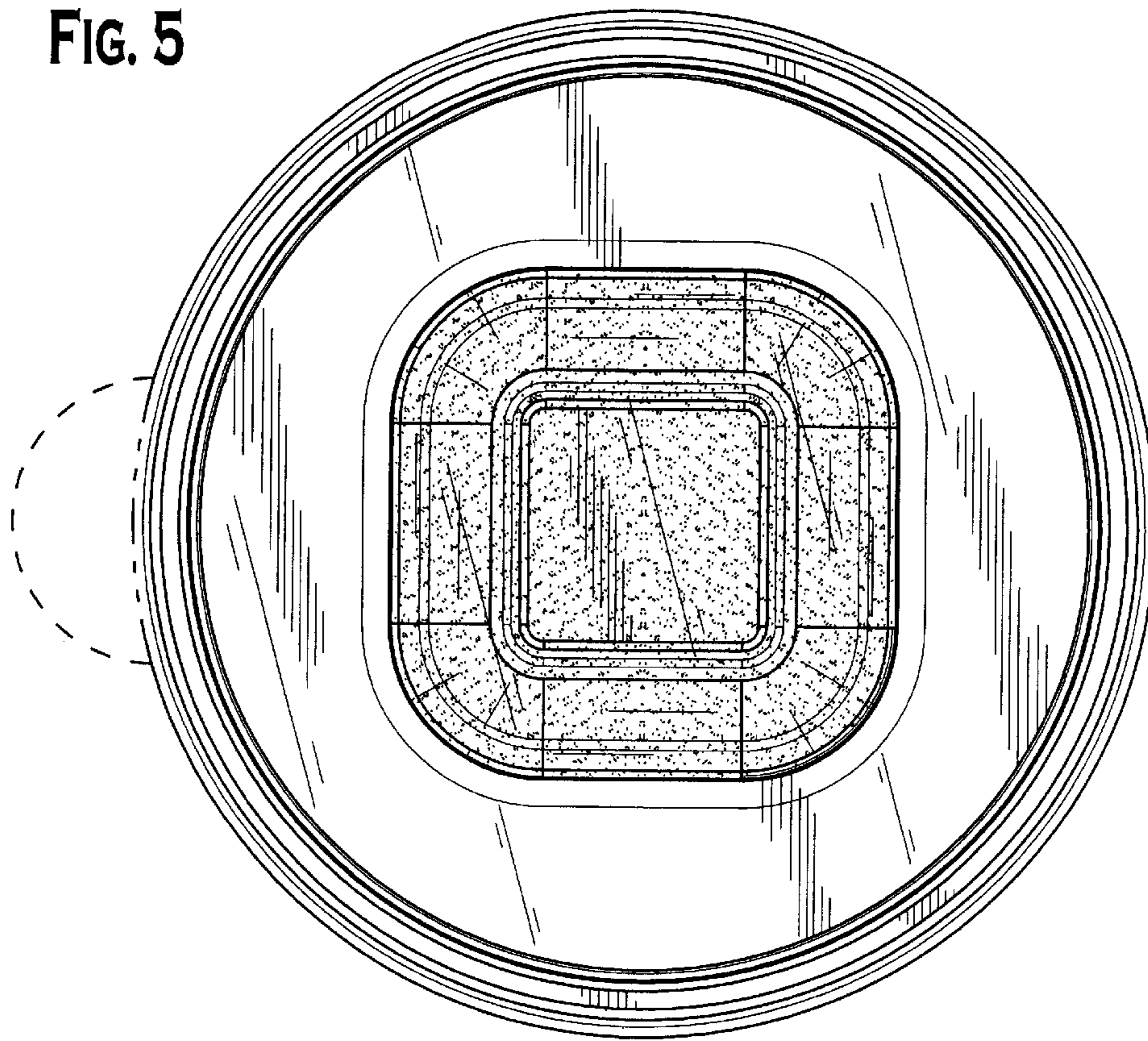


FIG. 6

