



US00D536921S

(12) **United States Design Patent**
Tarlow et al.

(10) **Patent No.:** **US D536,921 S**

(45) **Date of Patent:** **** Feb. 20, 2007**

(54) **TORTILLA PAN**

(76) Inventors: **Kenneth A. Tarlow**, 21 Golden Mind
Passage, Corte Madera, CA (US) 94925;
John Giornali, 1100 E. 2nd St., Long
Beach, CA (US) 90802

(**) **Term:** **14 Years**

(21) **Appl. No.:** **29/231,723**

(22) **Filed:** **Jun. 9, 2005**

(51) **LOC (8) Cl.** **07-02**

(52) **U.S. Cl.** **D7/361**

(58) **Field of Classification Search** D7/323,
D7/354-361, 391, 393-396, 500; 99/140 R,
99/324, 339, 345, 422, 424, 426, 445; 219/620-622,
219/725-730; 220/573.1, 573.57, 23.4, 912;
222/113, 146, 572

See application file for complete search history.

(56) **References Cited**

U.S. PATENT DOCUMENTS

933,545	A	*	9/1909	French	99/424
993,169	A	*	5/1911	Hudson	220/4.22
1,010,887	A	*	12/1911	French	99/424
1,072,892	A	*	9/1913	Wilson	220/4.22
1,107,987	A	*	8/1914	Nash	99/424
1,264,475	A	*	4/1918	Baker	220/4.22
1,568,798	A	*	1/1926	Caver	220/4.21

1,987,594	A	*	1/1935	Chiles et al.	99/426
D281,481	S	*	11/1985	Geiser	D7/361
4,773,318	A	*	9/1988	Furletti	99/424
5,501,141	A	*	3/1996	Mendez et al.	99/426
6,539,844	B1	*	4/2003	Bart	99/424
2003/0154866	A1	*	8/2003	Amar	99/422
2003/0196561	A1	*	10/2003	Bart	99/424

FOREIGN PATENT DOCUMENTS

GB	2071720	*	1/1998
GB	2071721	*	1/1998

* cited by examiner

Primary Examiner—Cathron C. Brooks

Assistant Examiner—Ricky Pham

(57) **CLAIM**

The ornamental design for a tortilla pan, as shown and described.

DESCRIPTION

FIG. 1 is a top plan view of a tortilla pan showing our new design;

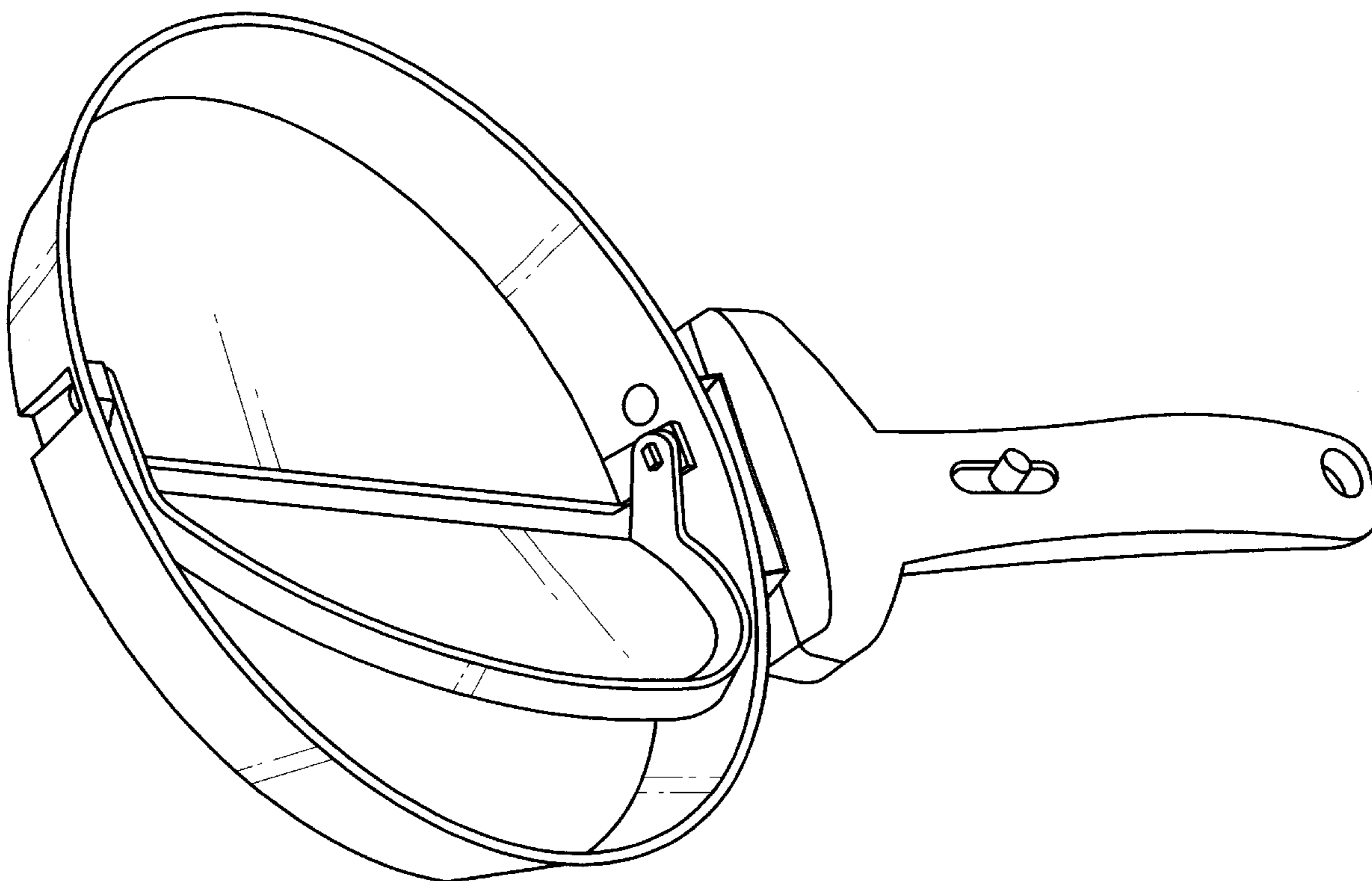
FIG. 2 is a perspective view of a tortilla pan with the flipper in the down Position;

FIG. 3 is a perspective view of a tortilla pan with the flipper raised thereof;

FIG. 4 is a side view of a tortilla pan; and,

FIG. 5 is a bottom plan view of a tortilla pan.

1 Claim, 5 Drawing Sheets



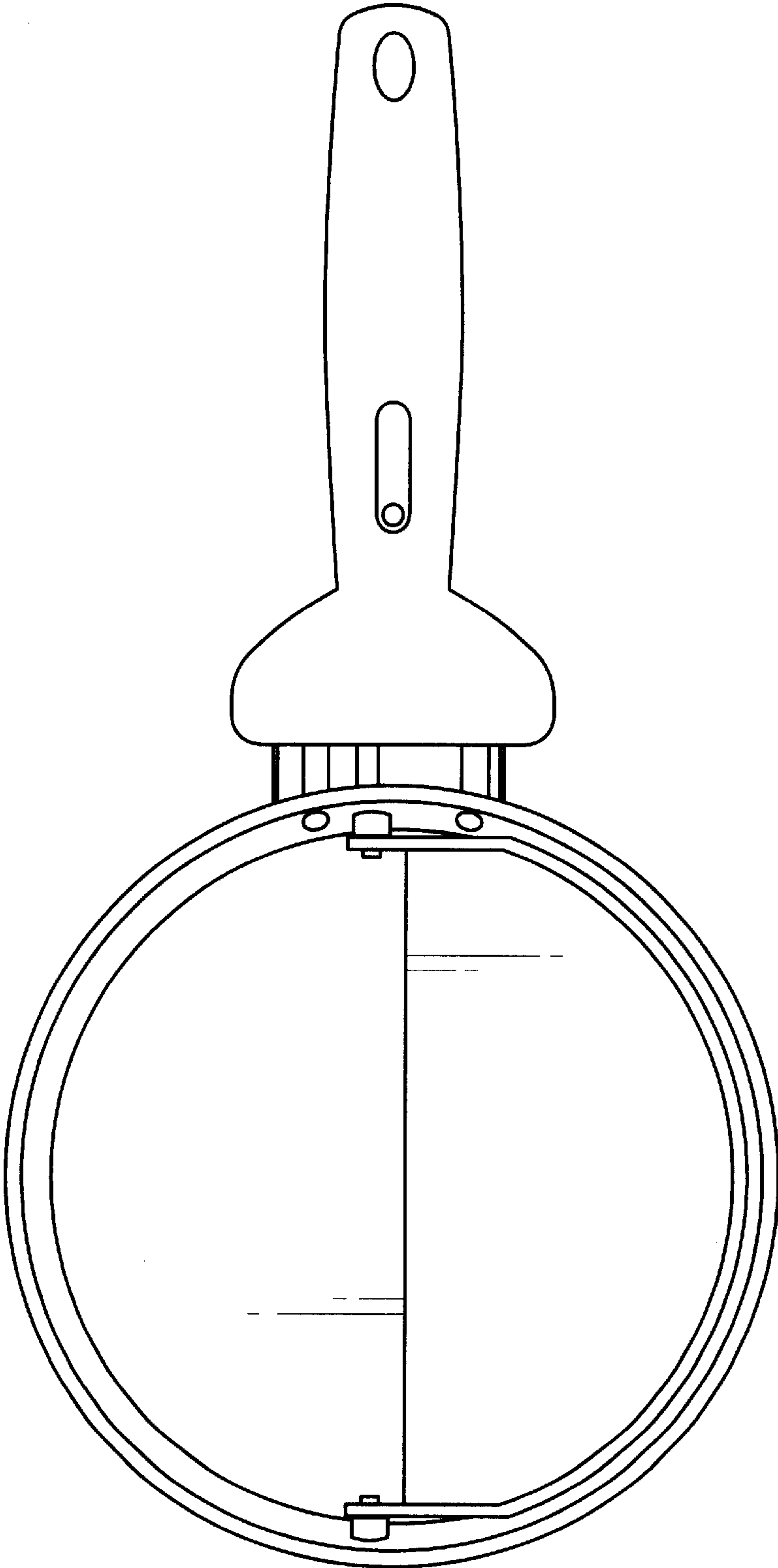


FIG.1

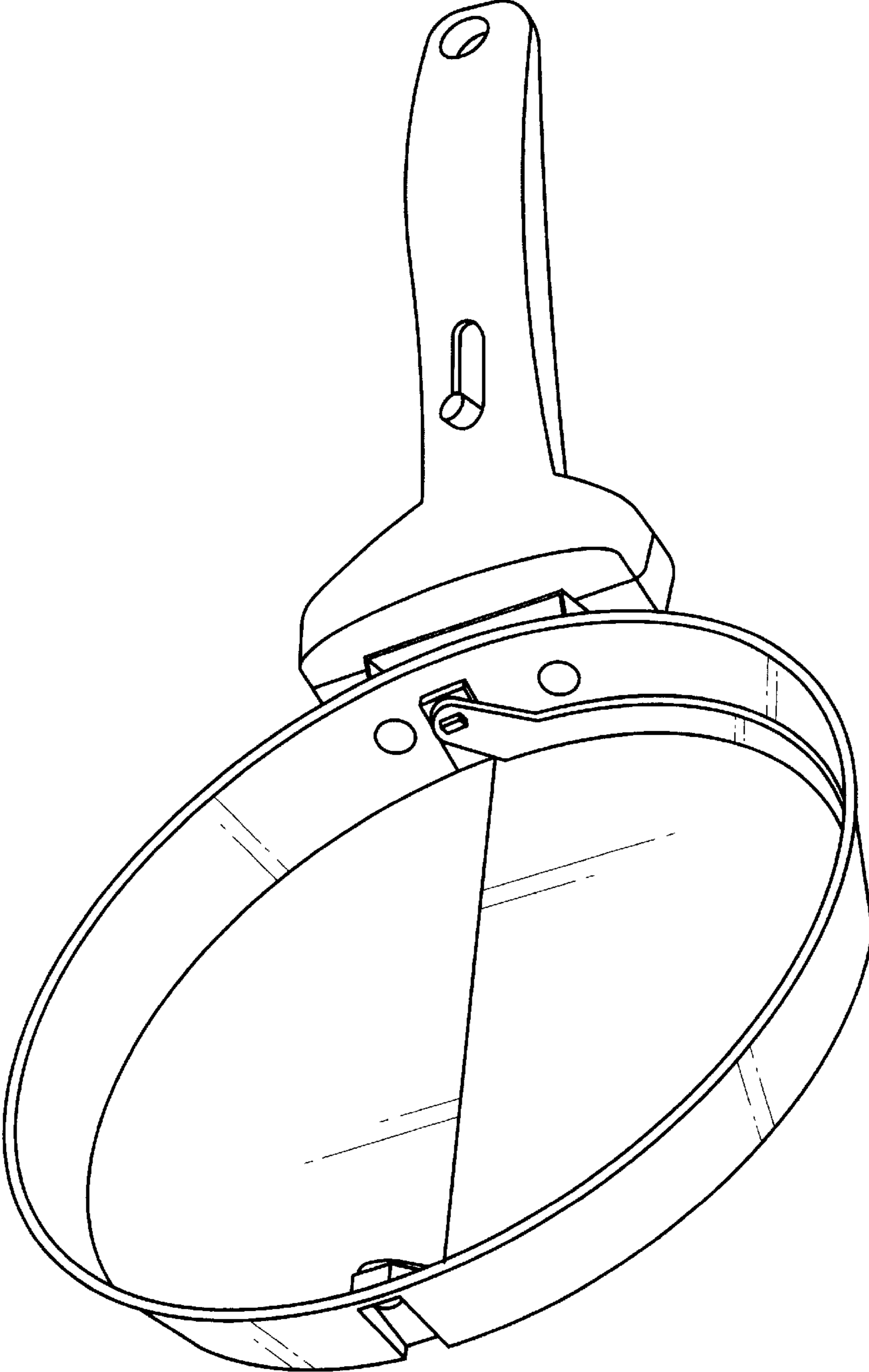


FIG.2

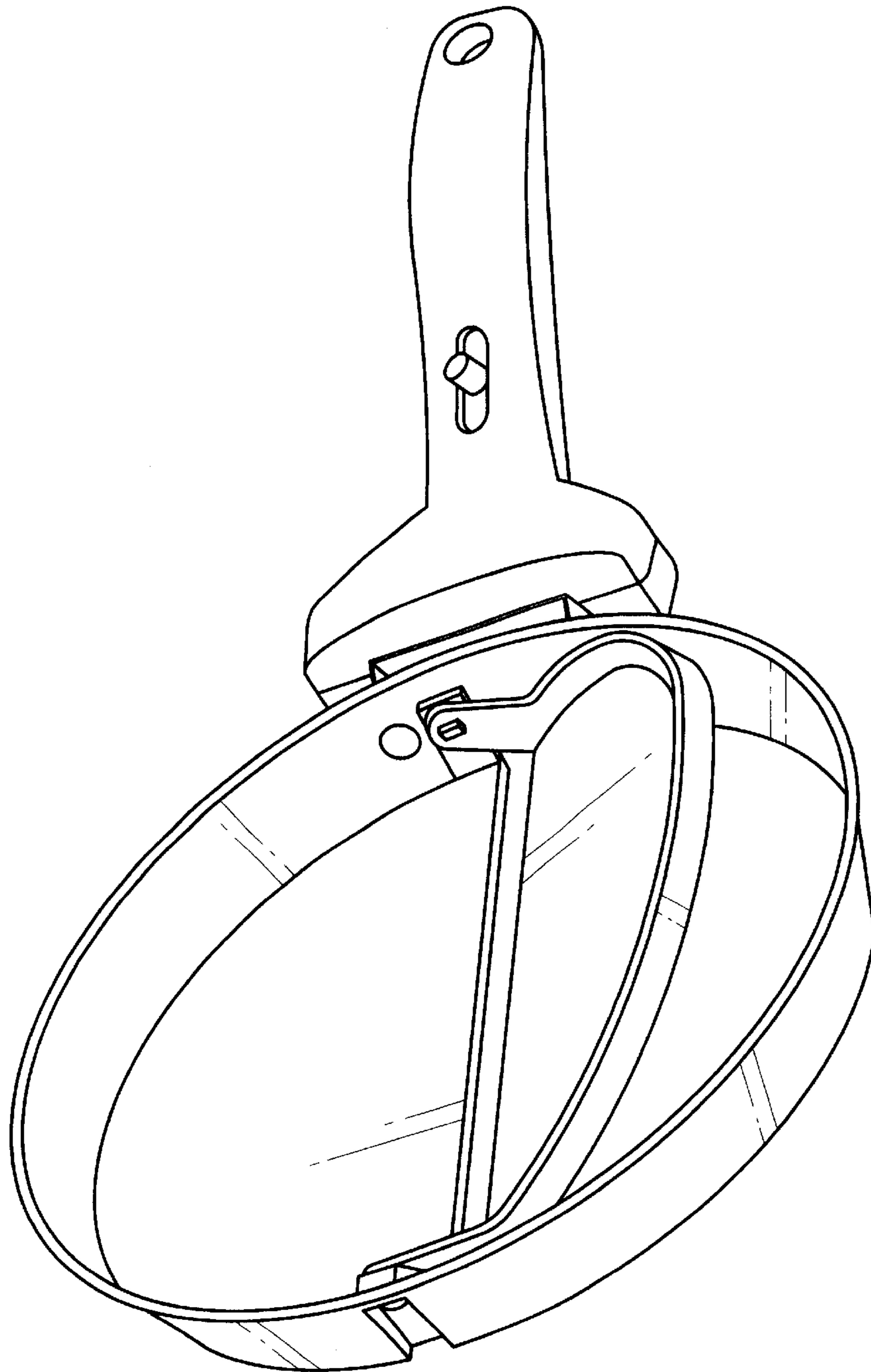


FIG. 3

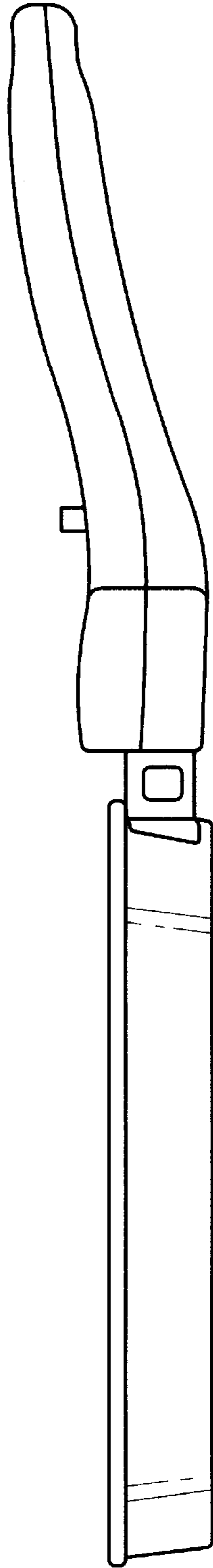


FIG.4

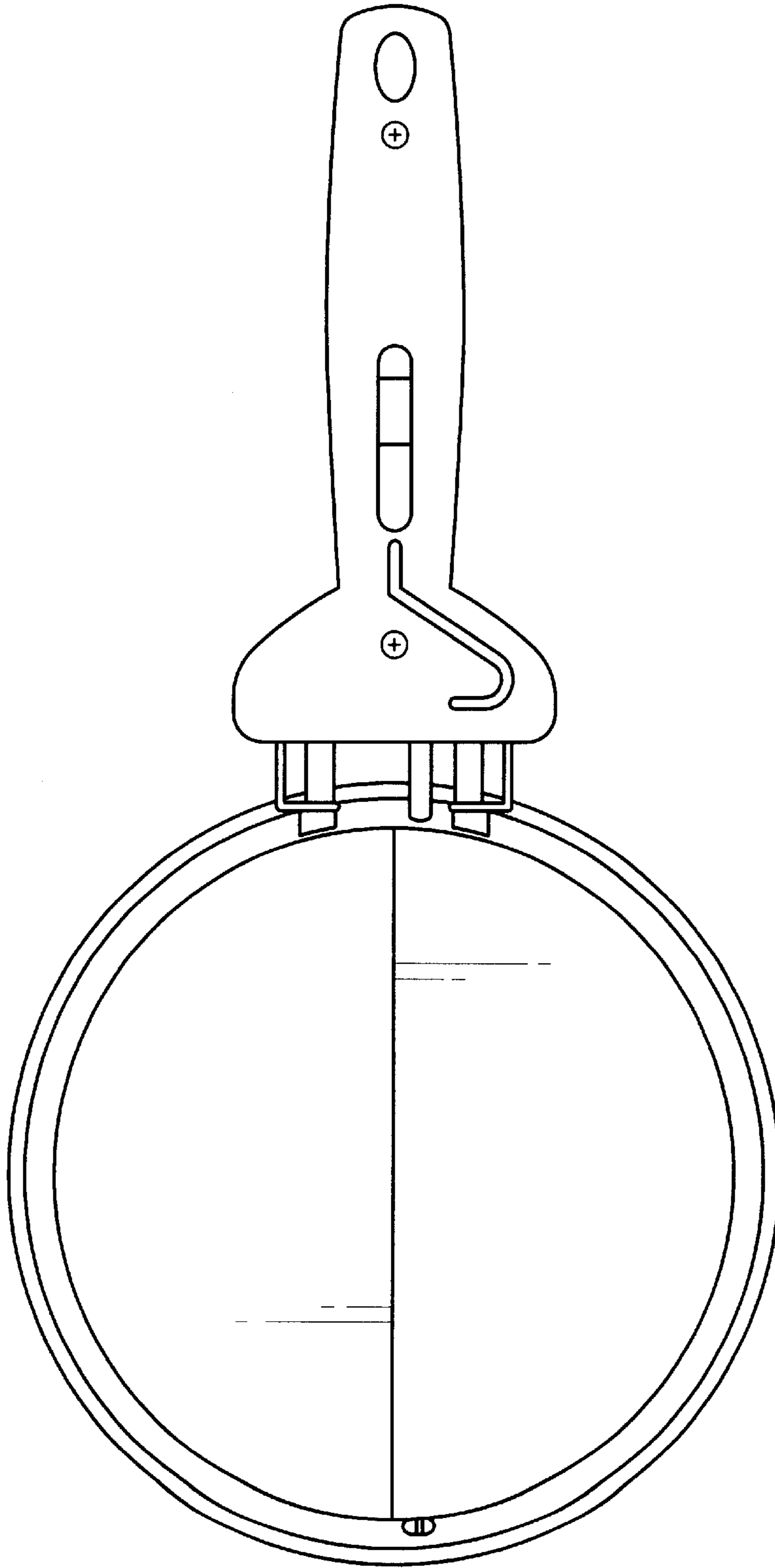


FIG. 5