

US00D536920S

(12) **United States Design Patent**
Morgan

(10) **Patent No.:** **US D536,920 S**

(45) **Date of Patent:** **** Feb. 20, 2007**

(54) **CAKE PAN WITH INTEGRAL DOME SHAPED CAVITY**

(76) Inventor: **Fletcher Morgan**, 4990 Coquina Key Dr., SE., St. Petersburg, FL (US) 33705

(**) Term: **14 Years**

(21) Appl. No.: **29/196,466**

(22) Filed: **Dec. 31, 2003**

(51) **LOC (8) Cl.** **07-02**

(52) **U.S. Cl.** **D7/354**

(58) **Field of Classification Search** D7/354-361, D7/555, 672, 557, 677, 554.2, 554, 545, 500, D7/392.1, 391, 608, 629; D9/429, 452, 454; 220/785, 306, 376, 377; 215/250, 256; 312/283-284; 426/111, 128

See application file for complete search history.

(56) **References Cited**

U.S. PATENT DOCUMENTS

D253,272 S	*	10/1979	Ottier	D7/545
4,704,510 A	*	11/1987	Matsui	219/728
D343,776 S	*	2/1994	Johnson	D8/7
D360,112 S	*	7/1995	McEntee	D7/584
D369,717 S	*	5/1996	Chiba	D7/354
D383,031 S	*	9/1997	Cousins	D7/354

5,961,872 A	*	10/1999	Simon et al.	219/729
D469,662 S	*	2/2003	Thonis et al.	D7/602
D481,905 S	*	11/2003	Nolan	D7/357
D487,667 S	*	3/2004	Morgan	D7/356
6,789,466 B2	*	9/2004	Morgan	99/428
D508,632 S	*	8/2005	Nolan	D7/412
D509,101 S	*	9/2005	Søndergaard et al.	D7/392.1

* cited by examiner

Primary Examiner—Cathron C. Brooks

Assistant Examiner—Ricky Pham

(74) *Attorney, Agent, or Firm*—John S. Hale; Gipple & Hale

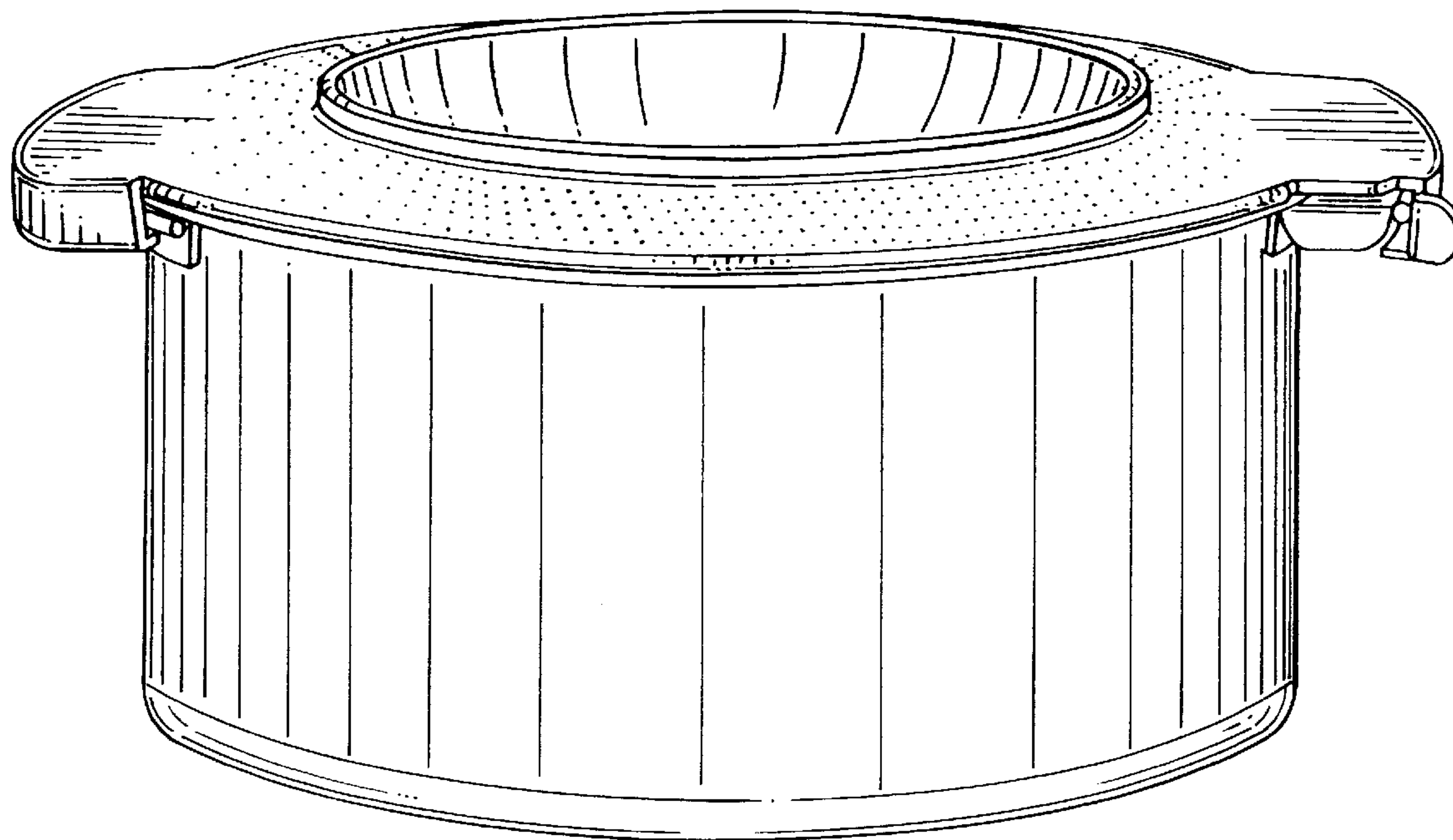
(57) **CLAIM**

The ornamental design for a cake pan with integral dome shaped cavity, as shown and described.

DESCRIPTION

FIG. 1 is a perspective view of the cake pan with integral dome shaped cavity showing my new design; FIG. 2 is a side elevational view thereof, the other side view being identical; FIG. 3 is a front elevational view thereof, the rear view being identical; FIG. 4 is a top plan view thereof; and, FIG. 5 is a bottom plan view thereof.

1 Claim, 3 Drawing Sheets



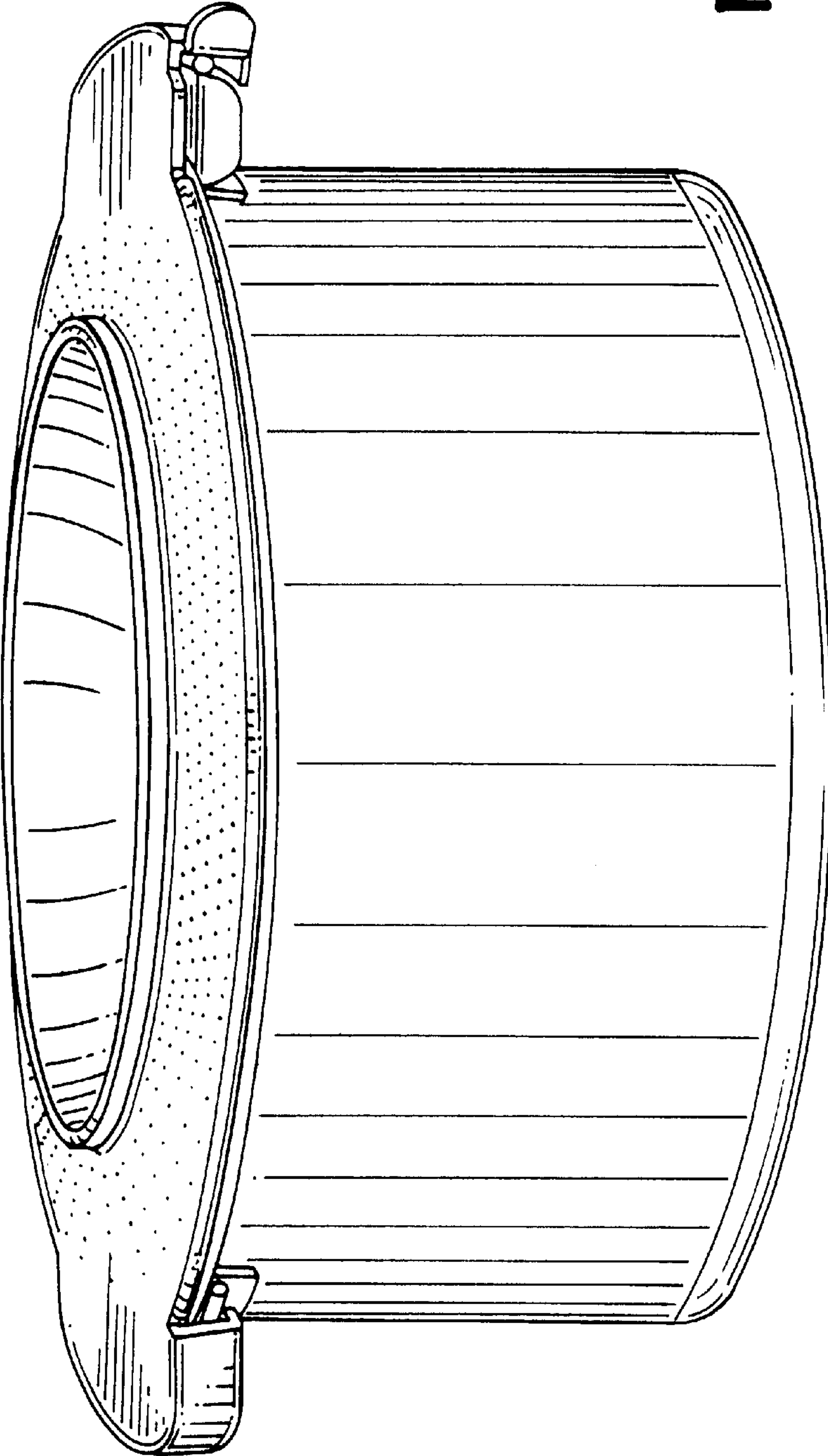


Fig. 1

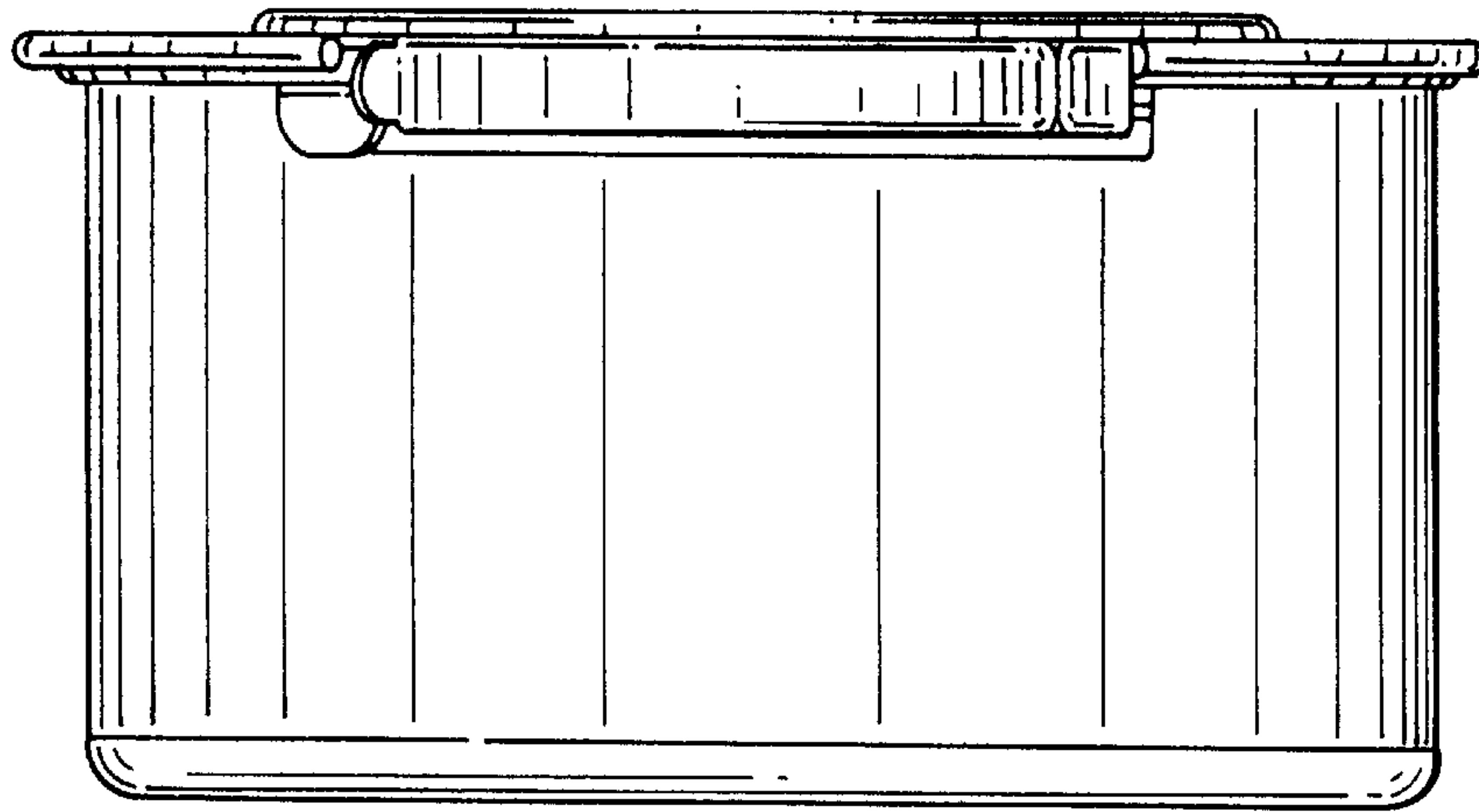


Fig. 2

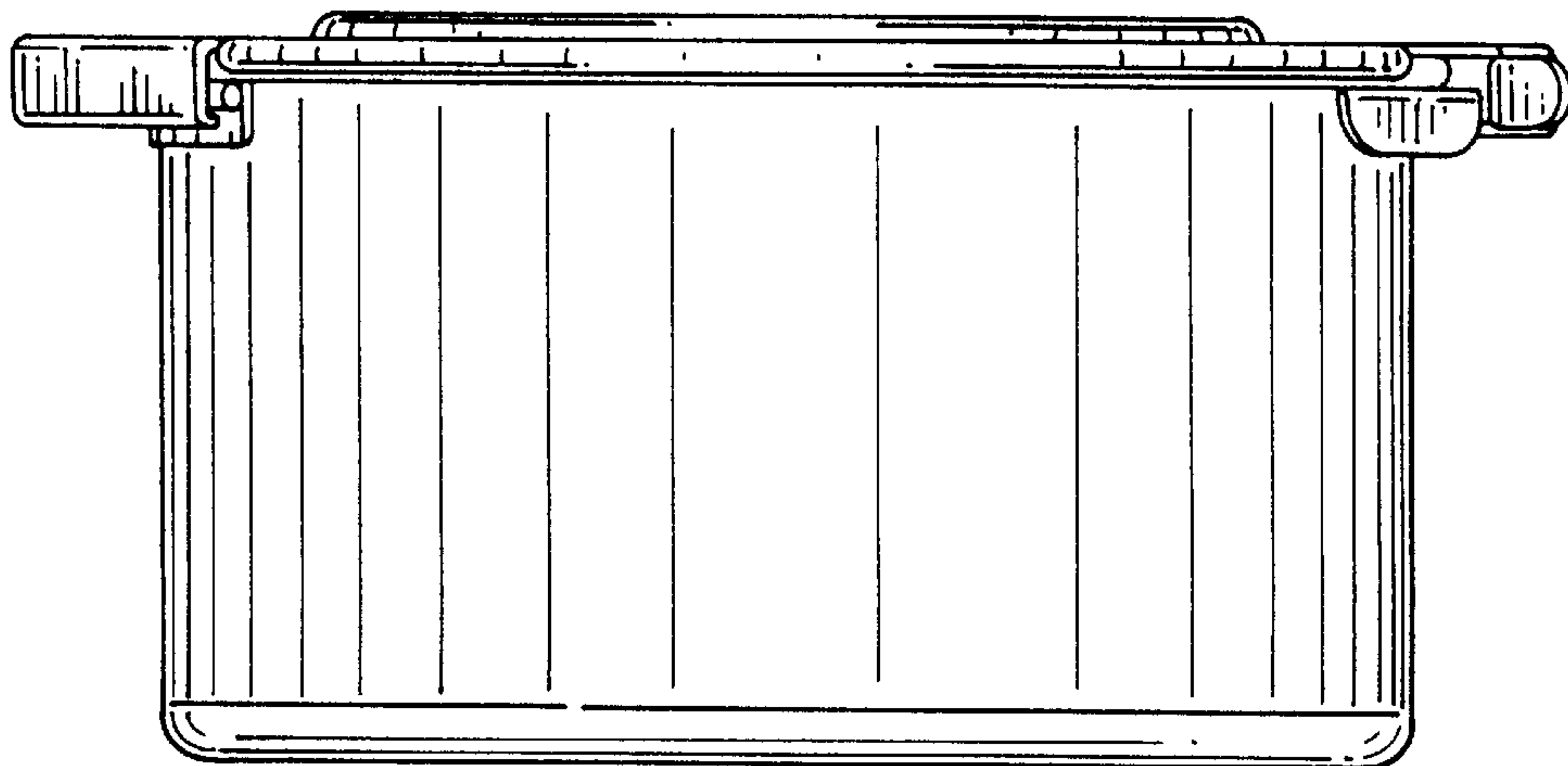


Fig. 3

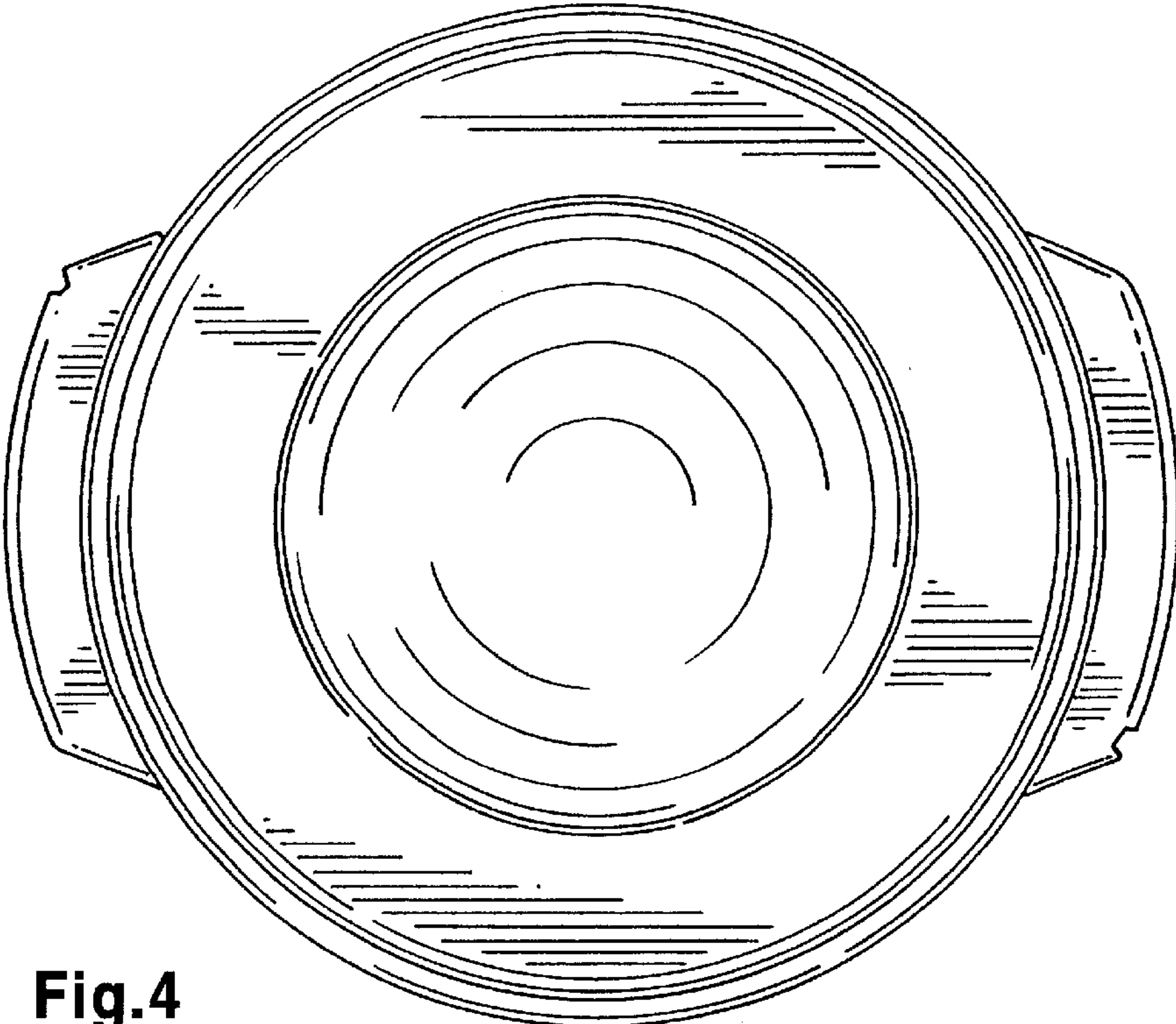


Fig.4

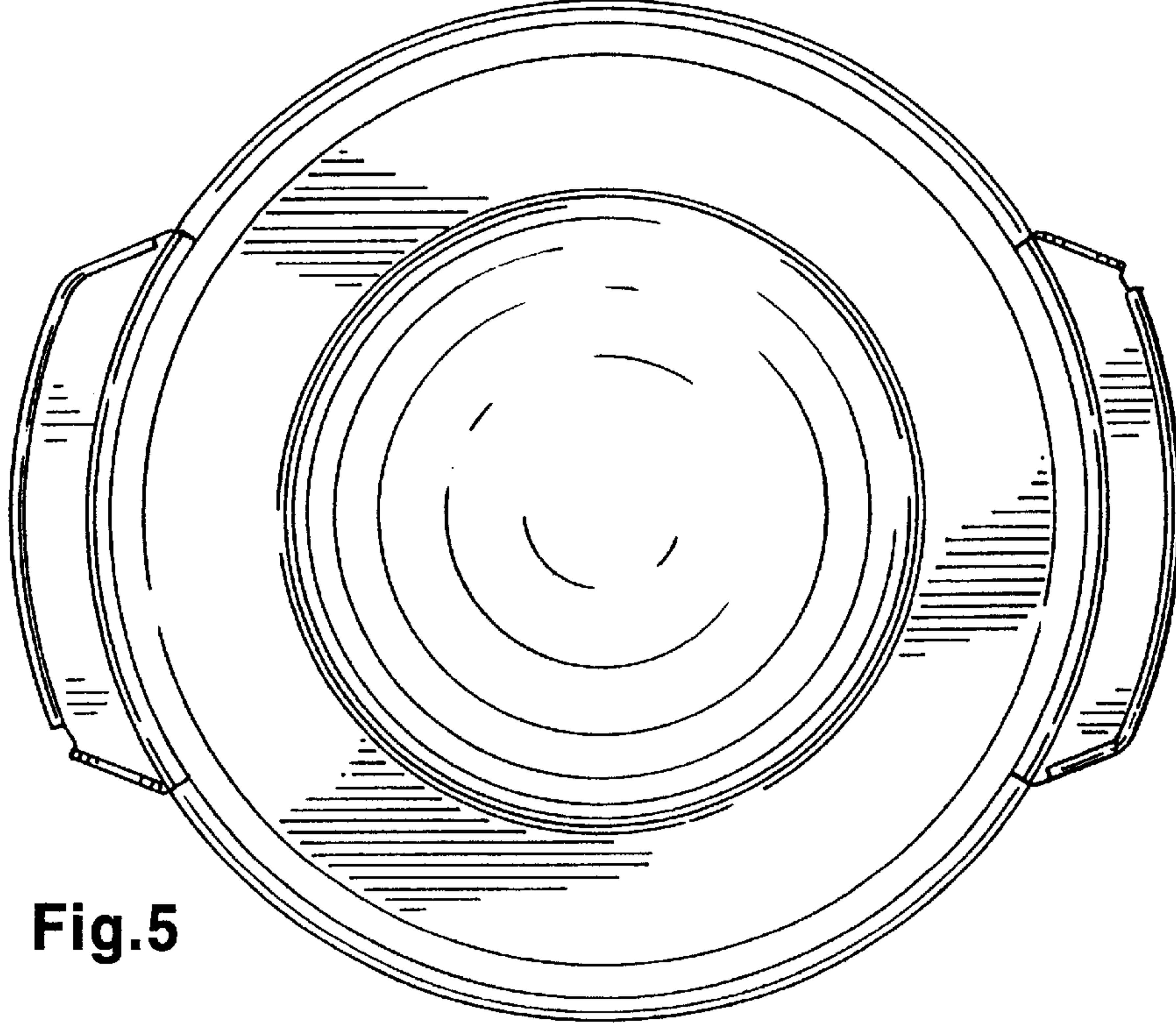


Fig.5