



US00D536918S

(12) **United States Design Patent**  
**Wood**

(10) **Patent No.:** **US D536,918 S**

(45) **Date of Patent:** **\*\* Feb. 20, 2007**

- (54) **GRILL**
  - (75) Inventor: **Brian Wood**, McKinney, TX (US)
  - (73) Assignee: **The Brinkmann Corporation**, Dallas, TX (US)
  - (\*\*) Term: **14 Years**
  - (21) Appl. No.: **29/238,842**
  - (22) Filed: **Sep. 21, 2005**
  - (51) **LOC (8) Cl.** ..... **07-02**
  - (52) **U.S. Cl.** ..... **D7/334**
  - (58) **Field of Classification Search** ..... D7/332, D7/334-337, 402-405, 409, 417; 126/25 R, 126/25 A, 25 AA, 25 B, 41 R, 50, 59, 59.5, 126/37 R, 9 R, 9 B, 29-30, 276, 332, 334; 211/215, 134-135, 153; 99/340, 481-482, 99/444; 426/314; 312/236
- See application file for complete search history.

- D497,280 S \* 10/2004 Pai ..... D7/334
- D497,284 S 10/2004 Pai
- D499,928 S 12/2004 Zhang
- D501,116 S 1/2005 Zhang
- D503,065 S \* 3/2005 Pai ..... D7/334
- D504,048 S 4/2005 Joss et al.
- D508,363 S 8/2005 Chung
- 6,925,998 B2 8/2005 Bruno et al.
- D521,308 S \* 5/2006 Tseng ..... D7/334

\* cited by examiner

*Primary Examiner*—Ruth McInroy

(74) *Attorney, Agent, or Firm*—Sheppard, Mullin, Richter & Hampton LLP

(57) **CLAIM**

I claim the ornamental design for a grill, as shown and described.

**DESCRIPTION**

FIG. 1 is a perspective view of a grill embodying the new design, the grill being shown with a main grill cover in a closed position;

FIG. 2 is a front elevational view of the grill of FIG. 1;

FIG. 3 is a rear elevational view of the grill of FIG. 1;

FIG. 4 is a left side elevational view of the grill of FIG. 1;

FIG. 5 is a right side elevational view of the grill of FIG. 1;

FIG. 6 is a top plan view of the grill of FIG. 1;

FIG. 7 is a bottom plan view of the grill of FIG. 1;

FIG. 8 is a perspective view of the grill of FIG. 1, the main grill cover being shown in an open position;

FIG. 9 is a front elevational view of the grill of FIG. 8;

FIG. 10 is a rear elevational view of the grill of FIG. 8;

FIG. 11 is a left side elevational view of the grill of FIG. 8;

FIG. 12 is a right side elevational view of the grill of FIG. 8;

FIG. 13 is a top plan view of the grill of FIG. 8;

FIG. 14 is a bottom plan view of the grill of FIG. 8; and,

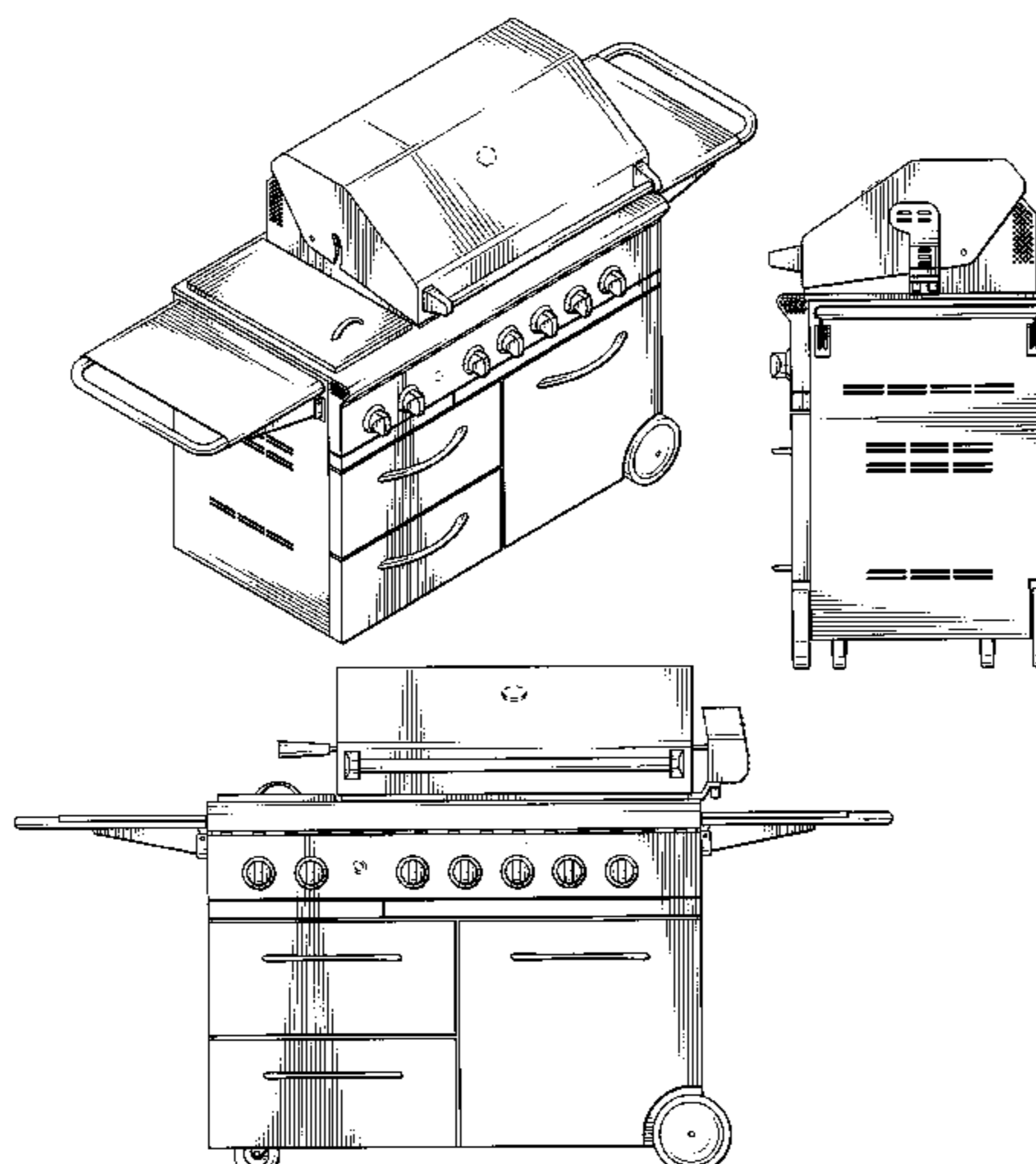
FIG. 15 is an enlarged partial perspective view of the grill of FIG. 8.

The dotted lines are for illustrative purposes only and form no part of the claimed design.

(56) **References Cited**  
U.S. PATENT DOCUMENTS

- D293,067 S 12/1987 Stephen et al.
- 4,886,045 A 12/1989 Ducate, Jr. et al.
- D316,355 S 4/1991 Stephen et al.
- 5,536,518 A 7/1996 Rummel
- D404,963 S 2/1999 Schlosser et al.
- D454,276 S 3/2002 Pai
- D461,359 S \* 8/2002 Coleman et al. .... D7/334
- D462,227 S \* 9/2002 Alden et al. .... D7/334
- D466,756 S 12/2002 Bossler et al.
- D470,357 S \* 2/2003 Home ..... D7/334
- D471,057 S \* 3/2003 Chung ..... D7/334
- D472,756 S 4/2003 Pai
- D475,235 S 6/2003 Home
- D485,467 S 1/2004 Pai
- 6,739,558 B2 5/2004 Stephen et al.
- D491,414 S 6/2004 Nichols et al.
- D491,415 S 6/2004 Rummel et al.
- D494,004 S \* 8/2004 Chapman ..... D7/334
- D494,009 S 8/2004 Joss et al.
- D494,413 S 8/2004 Joss et al.

**1 Claim, 13 Drawing Sheets**



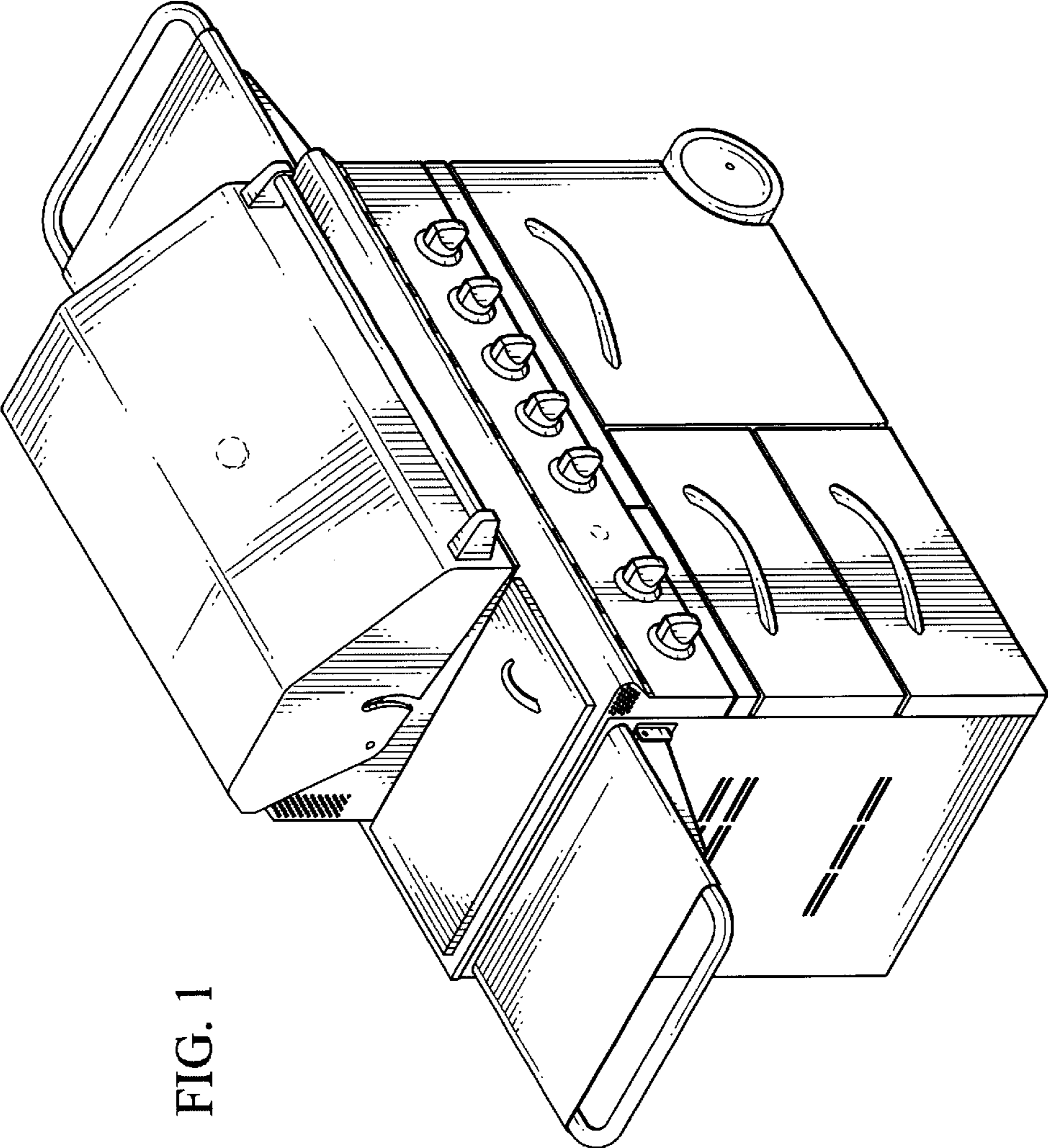
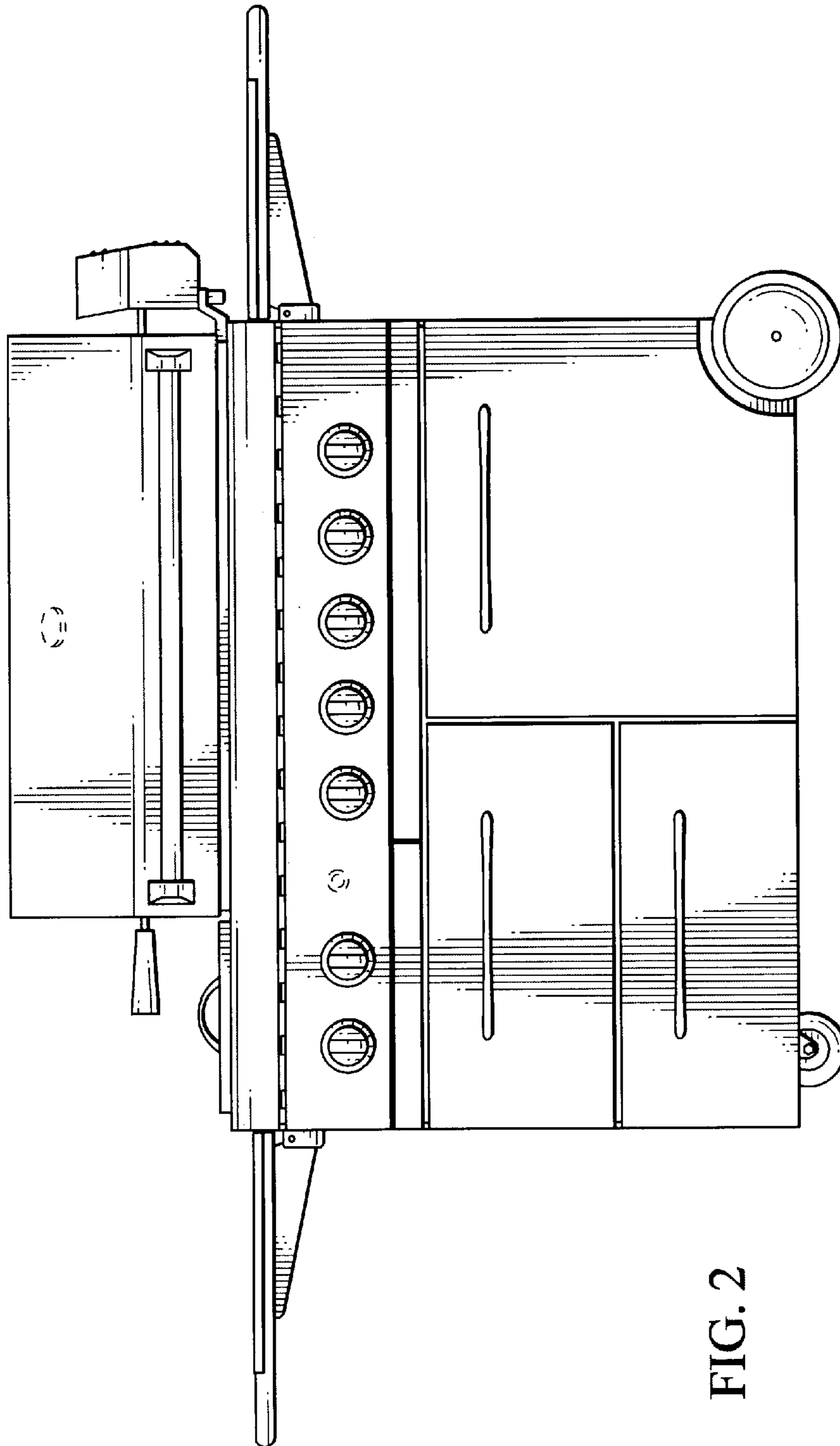


FIG. 1



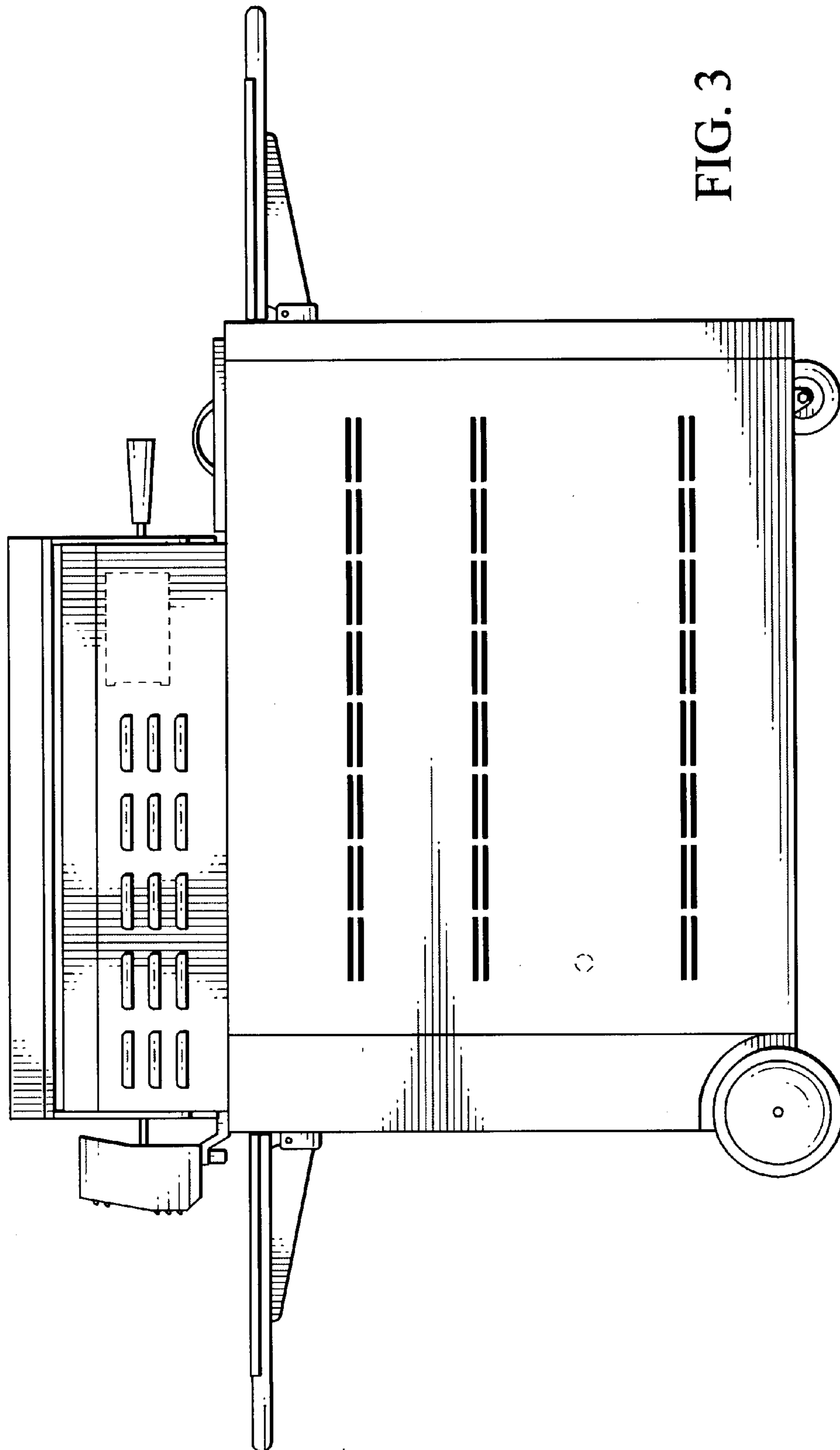


FIG. 3

FIG. 5

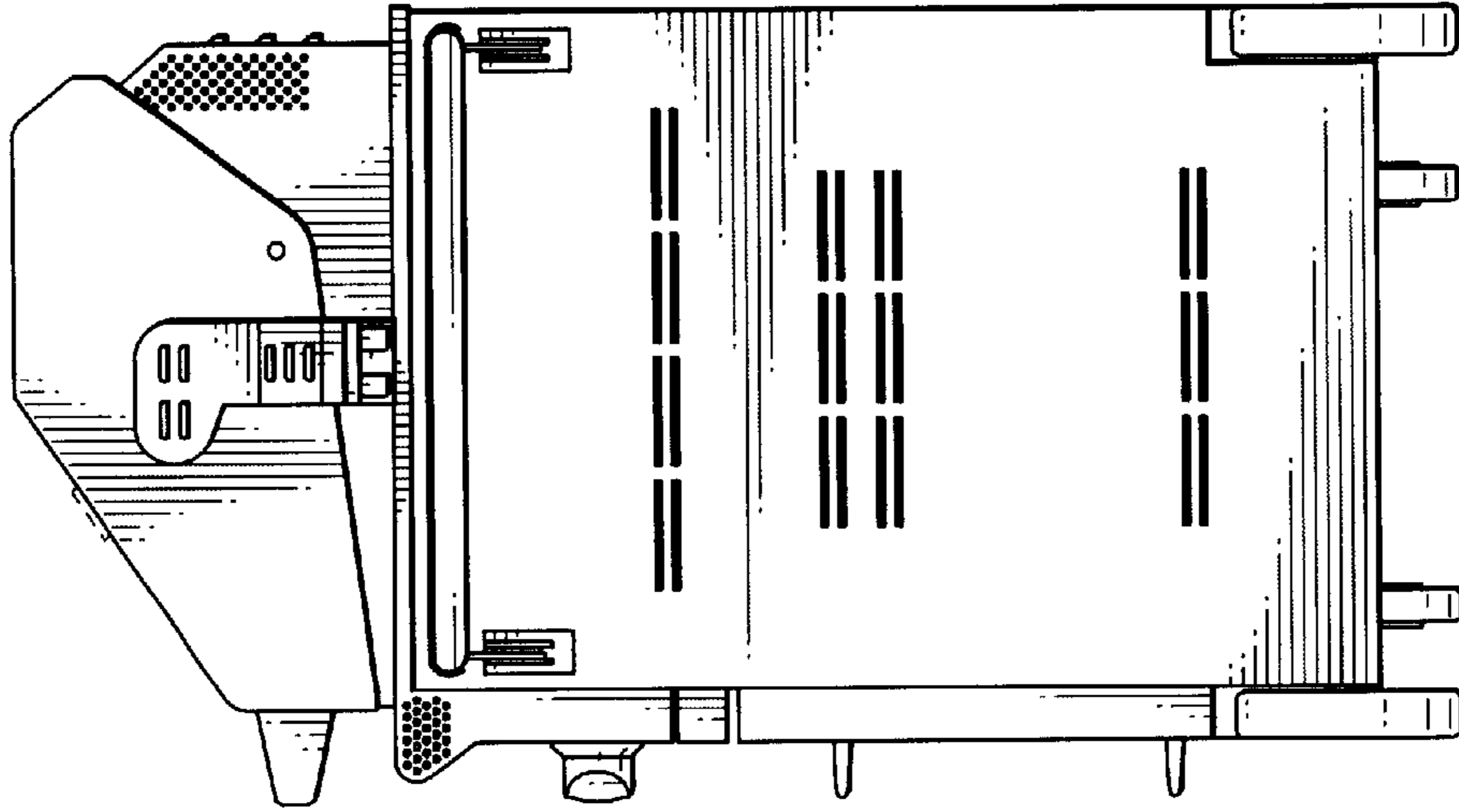
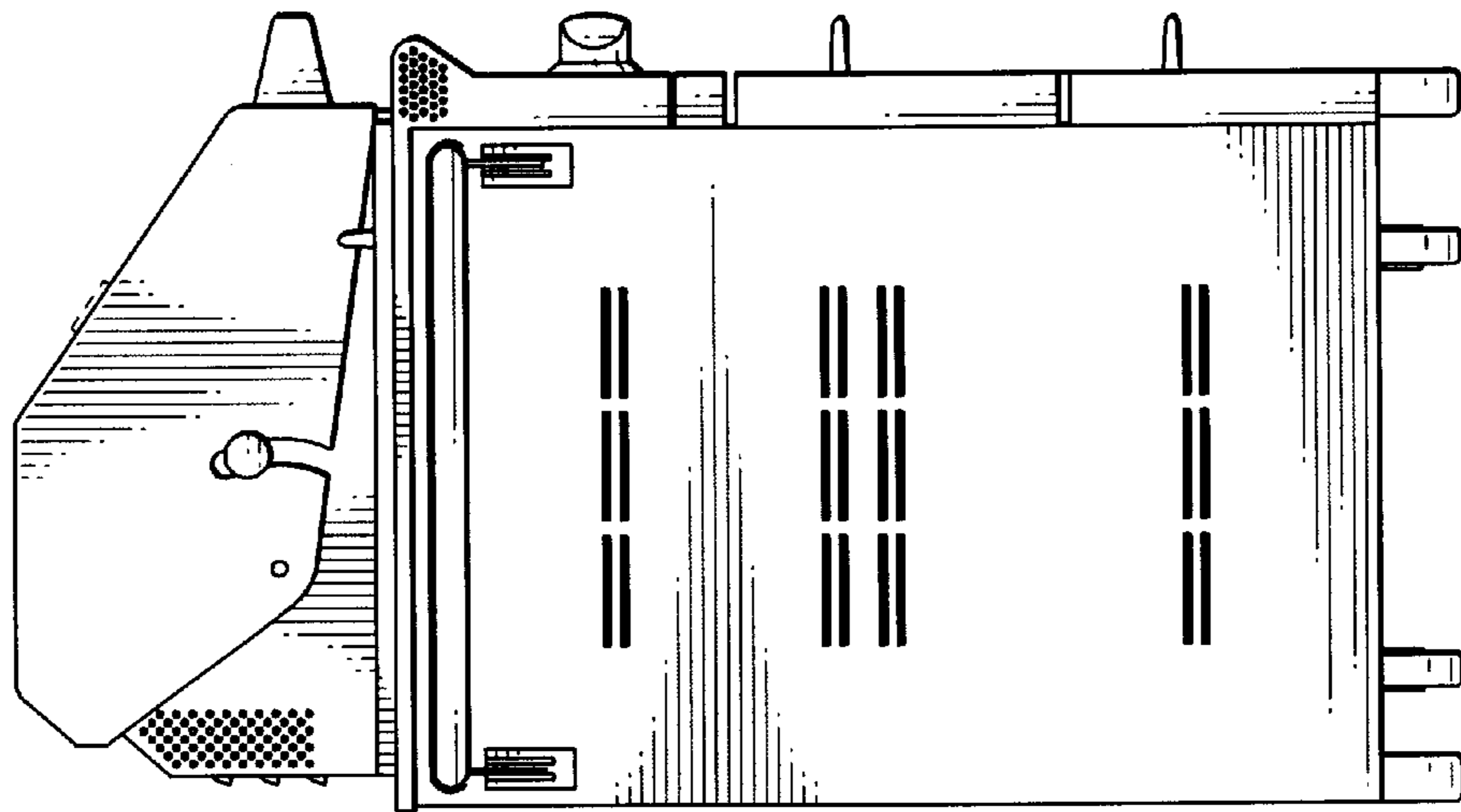


FIG. 4



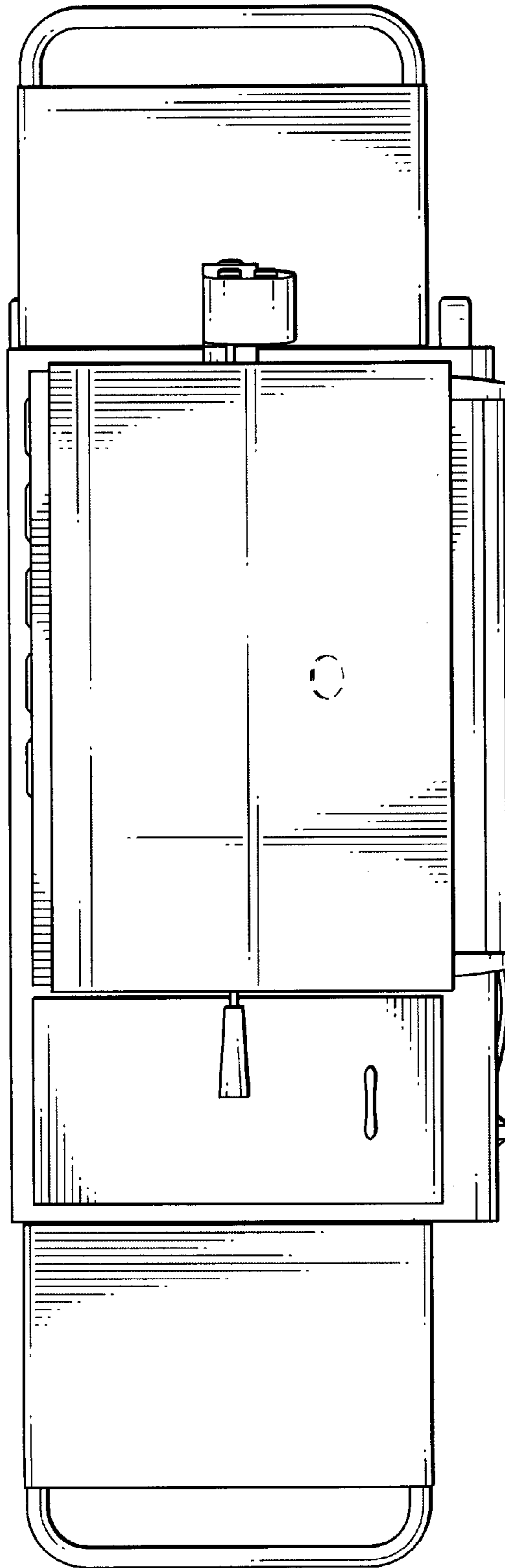


FIG. 6

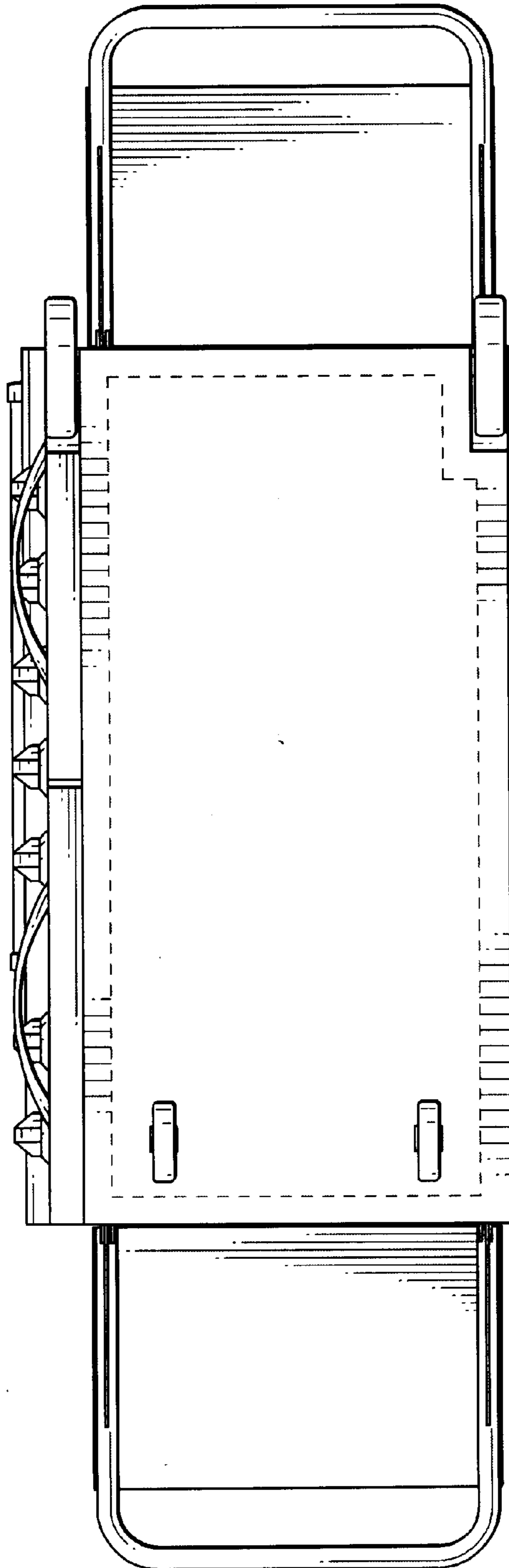


FIG. 7

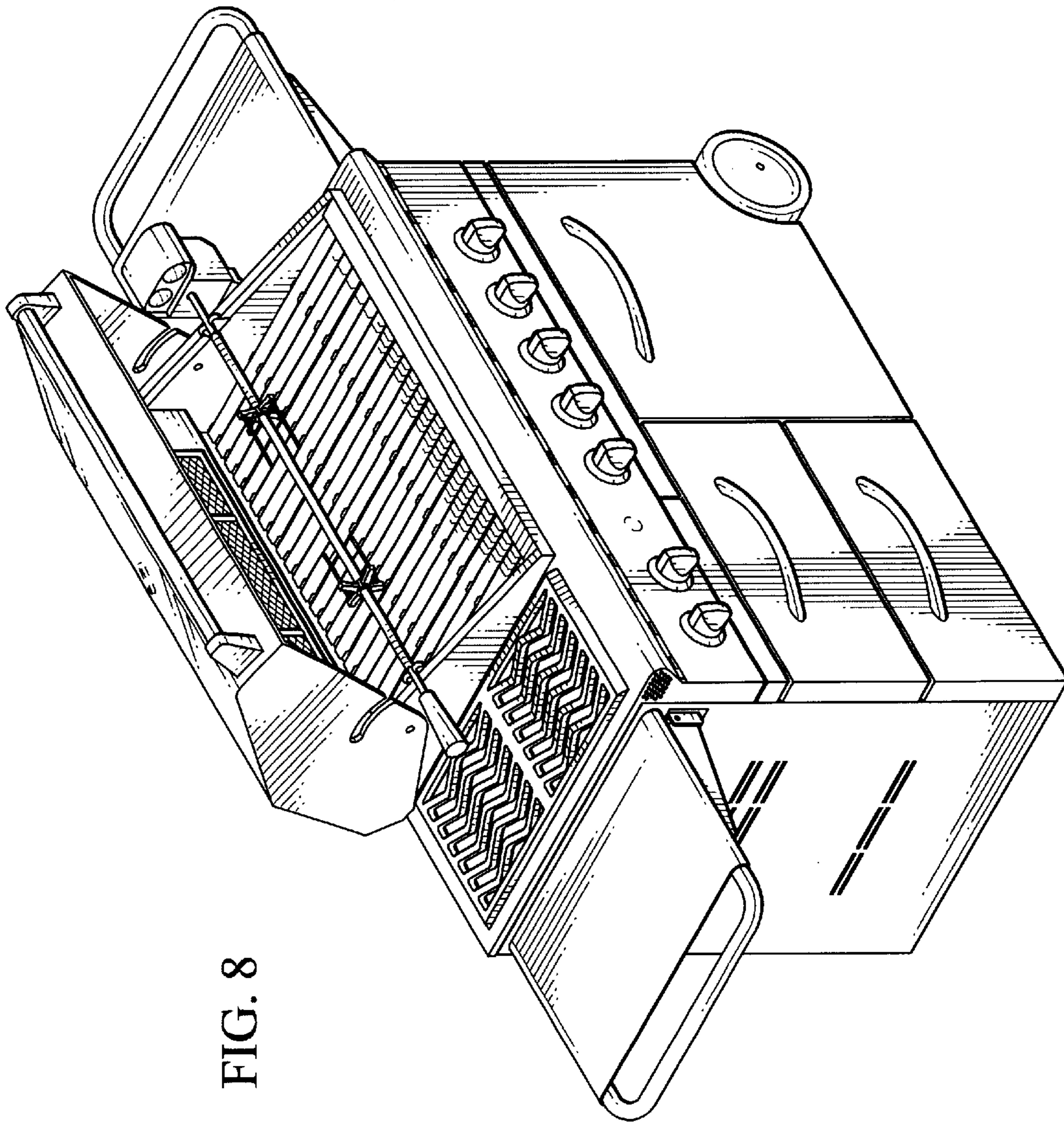


FIG. 8



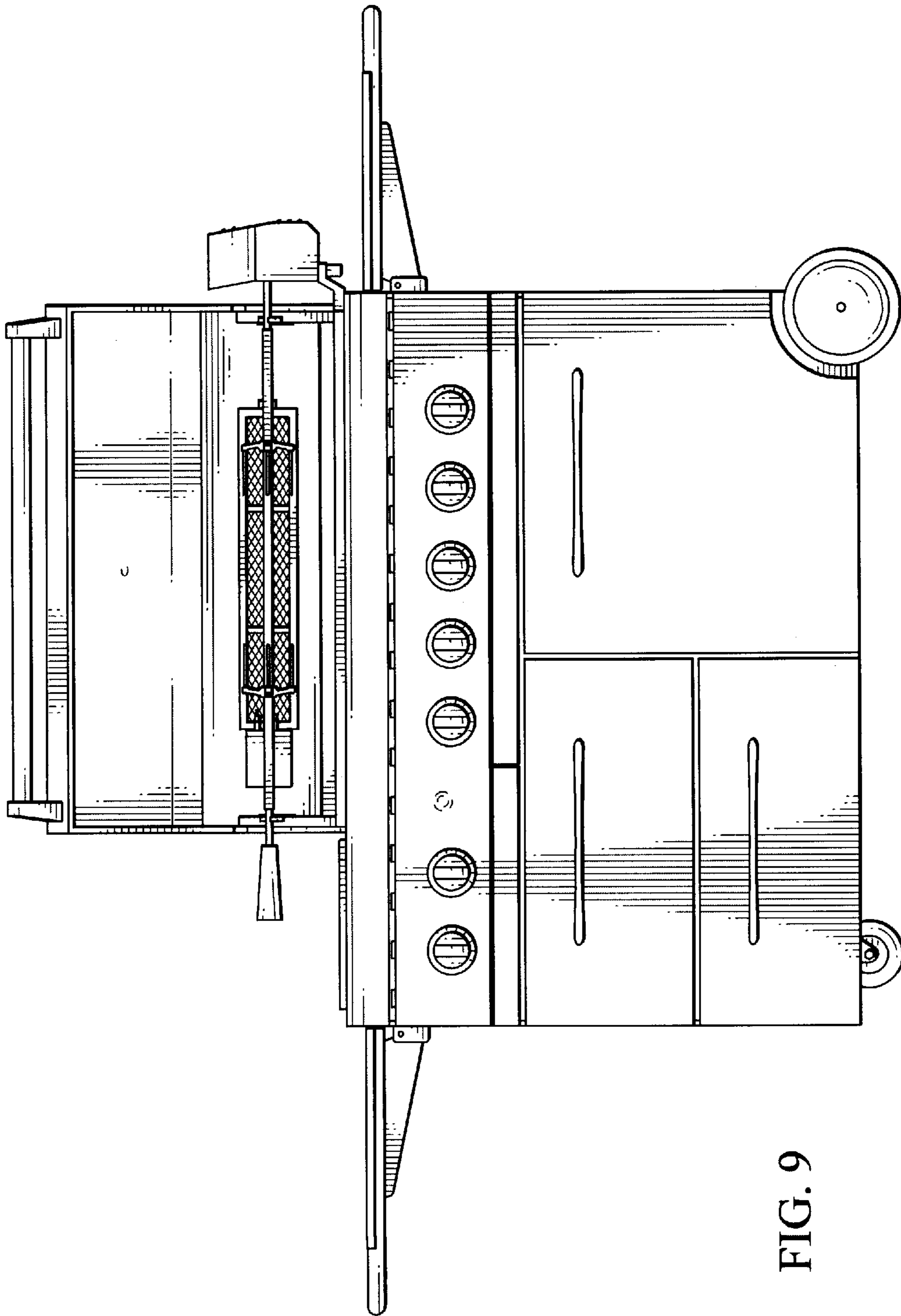


FIG. 9

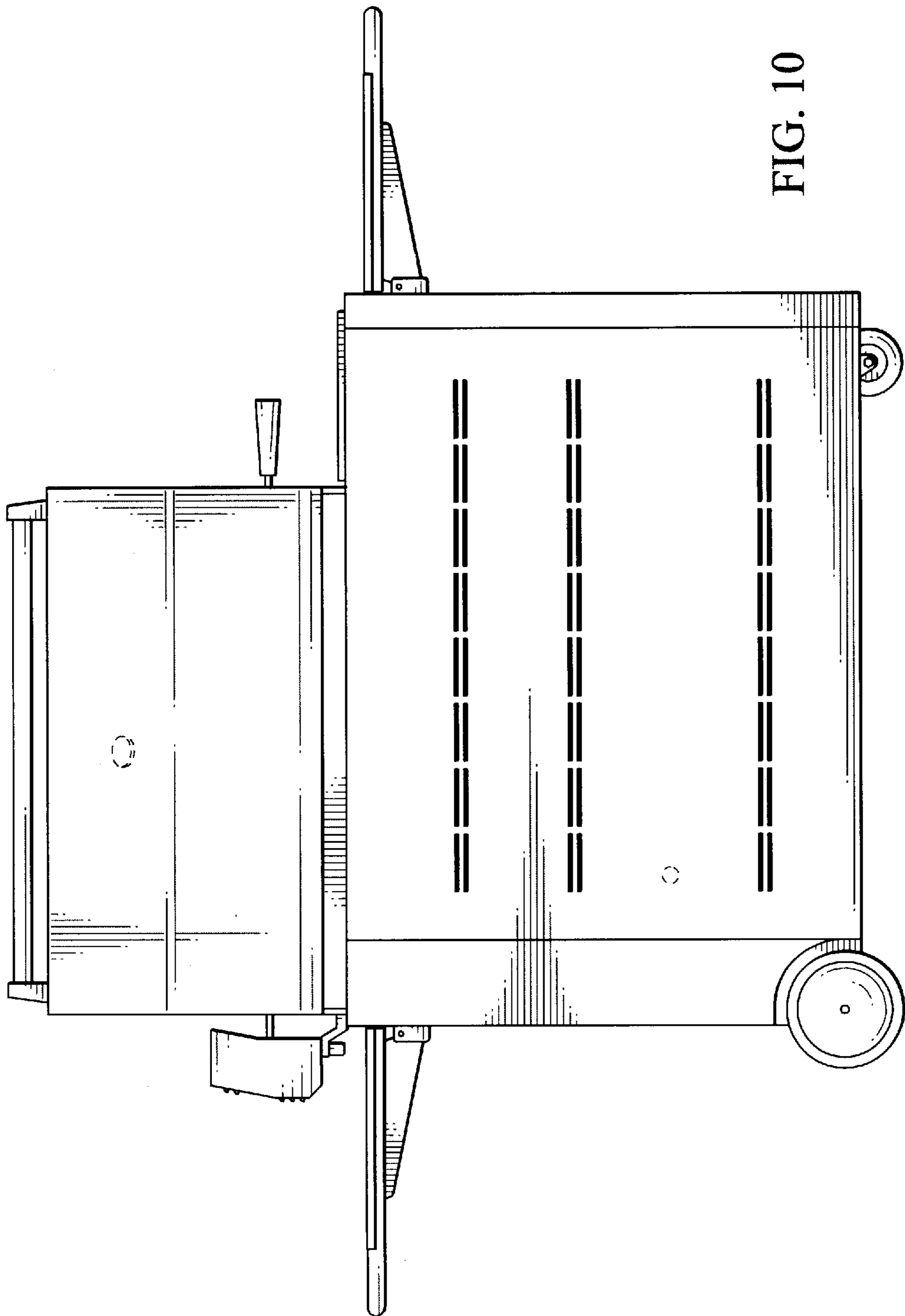


FIG. 10

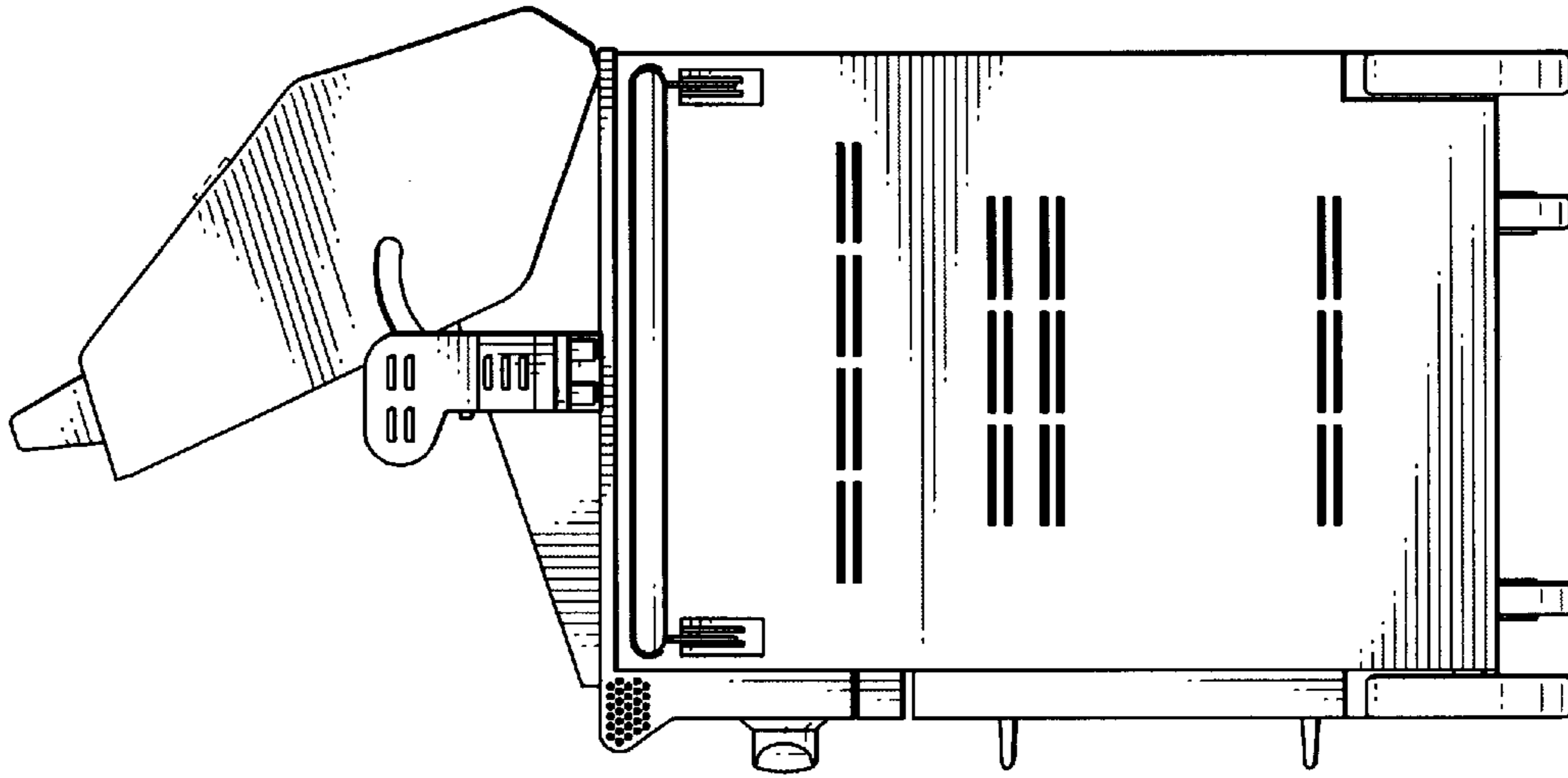


FIG. 12

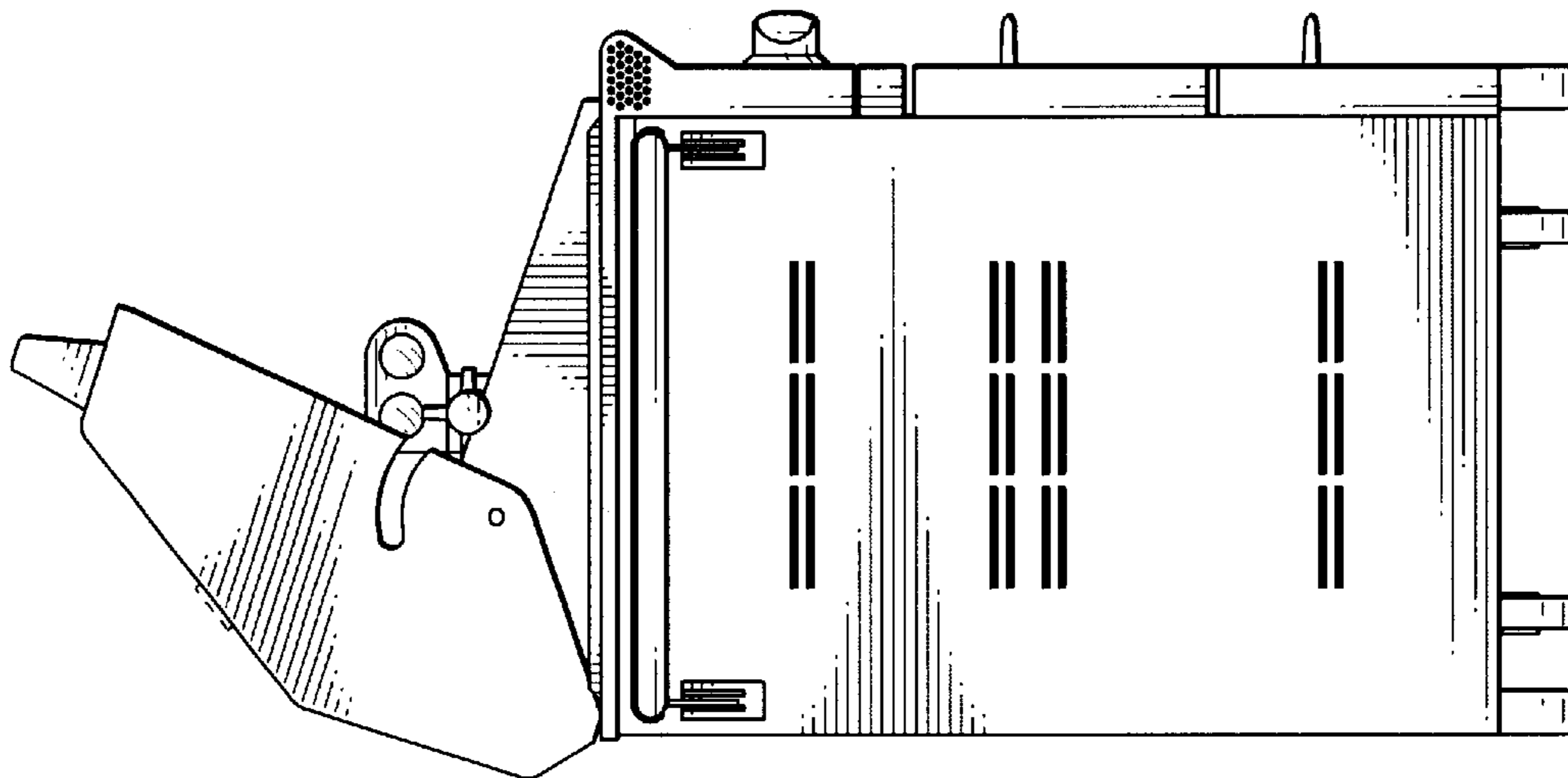


FIG. 11

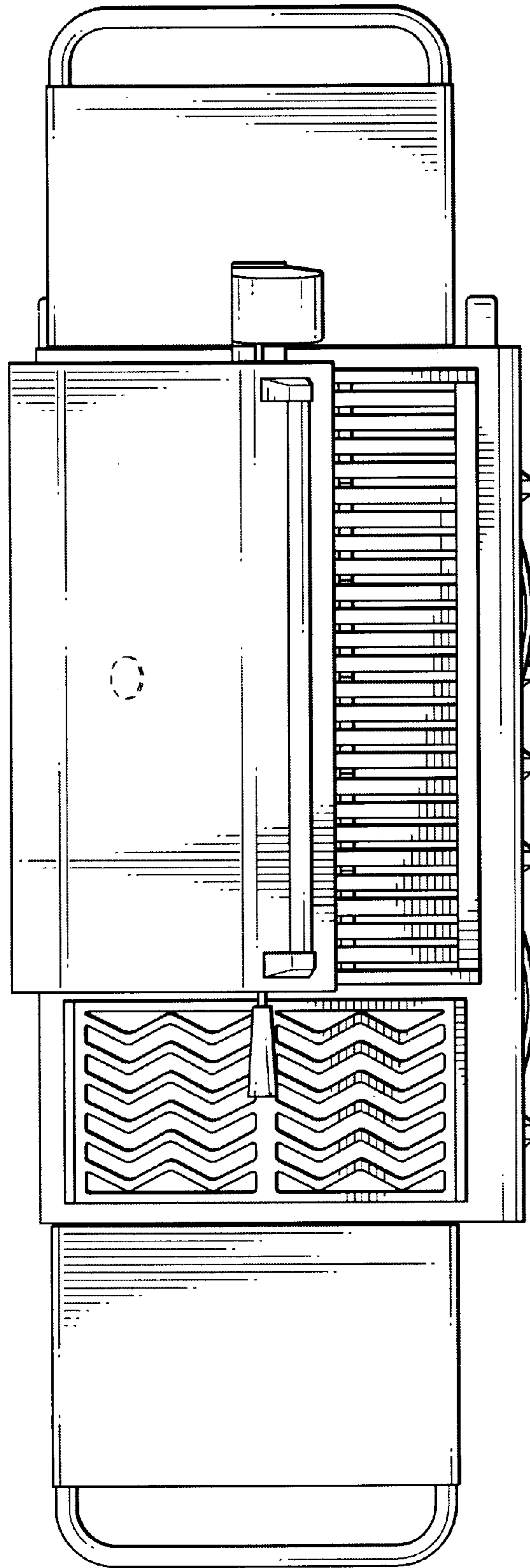


FIG. 13

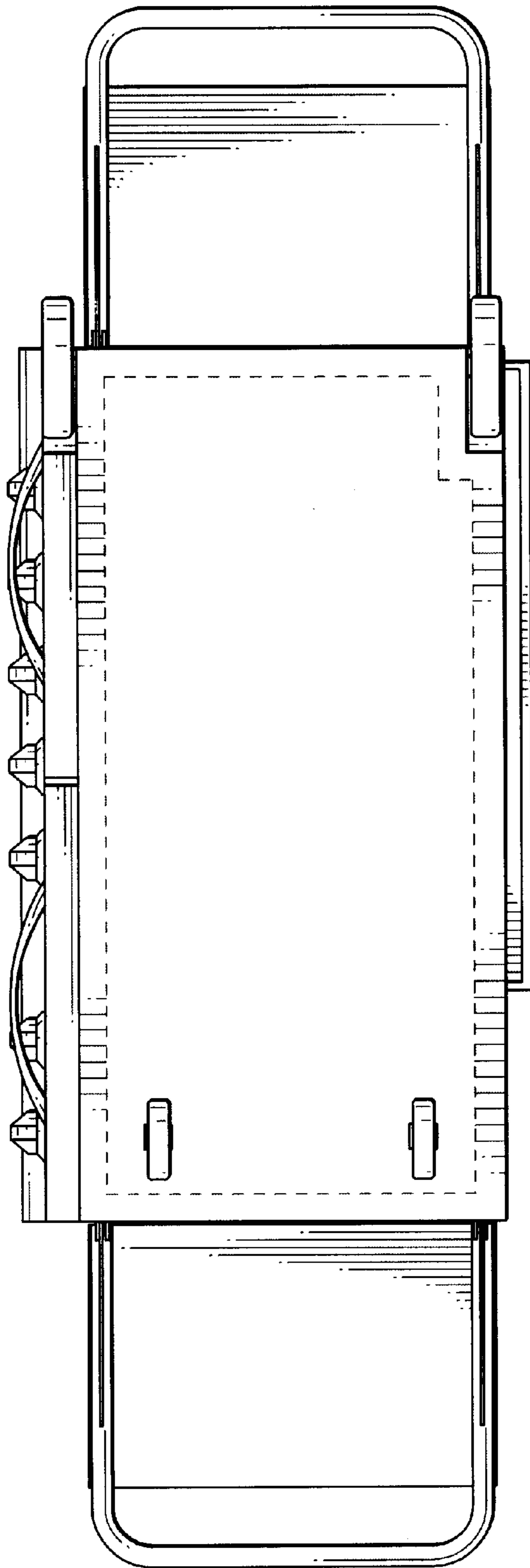


FIG. 14

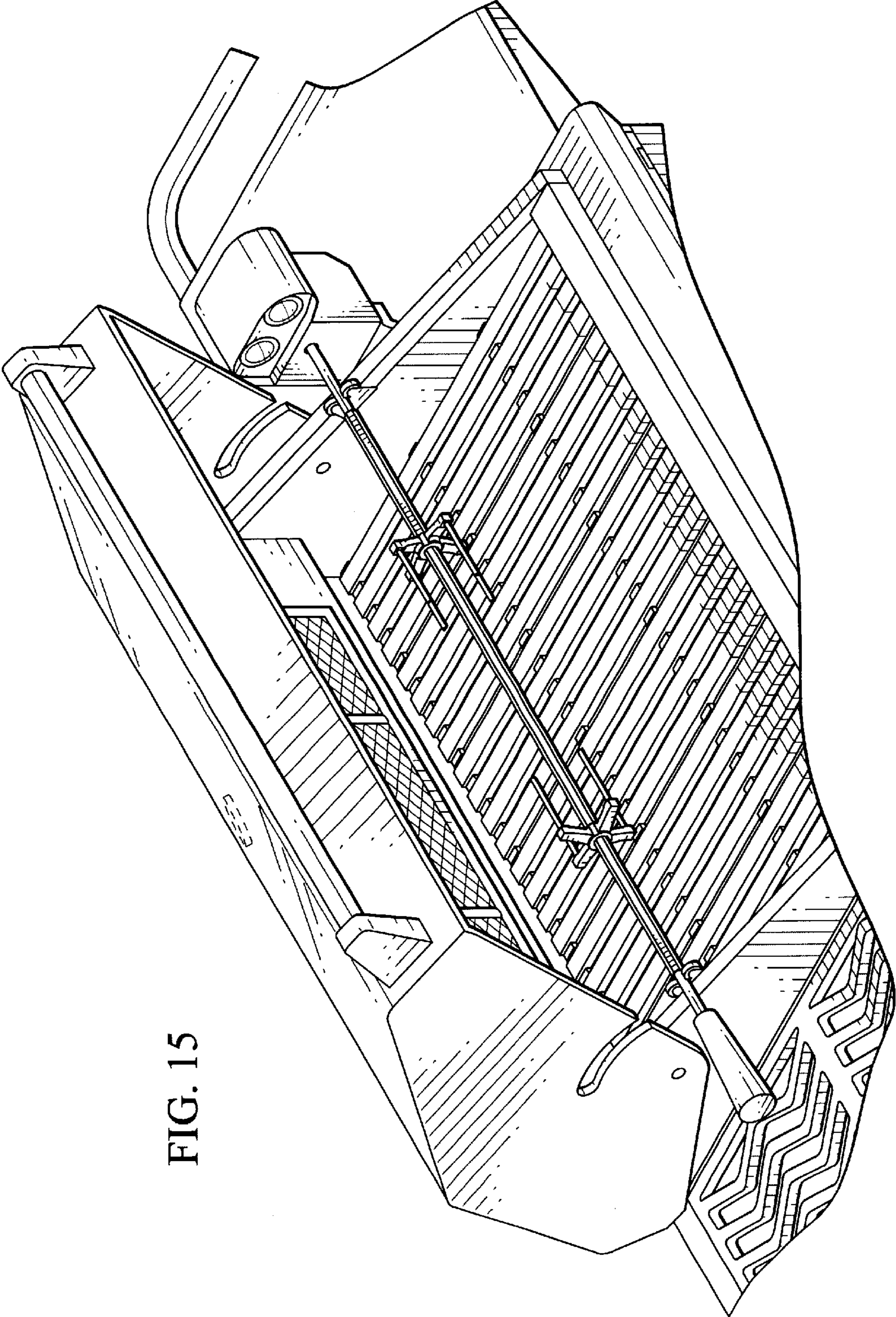


FIG. 15