



US00D536906S

(12) **United States Design Patent**
Robbins, III

(10) **Patent No.:** **US D536,906 S**

(45) **Date of Patent:** **** Feb. 20, 2007**

(54) **DISPLAY RACK**

D207,683 S * 5/1967 Gelles D6/458
D212,887 S * 12/1968 Toombs D6/415

(76) Inventor: **Edward S. Robbins, III**, 2802 Avalon Ave., Muscle Shoals, AL (US) 35661

(Continued)

(**) Term: **14 Years**

Primary Examiner—Janice E. Seeger
Assistant Examiner—Sydney R. Buffalow

(21) Appl. No.: **29/242,981**

(74) *Attorney, Agent, or Firm*—Brinks Hofer Gilson & Lione

(22) Filed: **Nov. 17, 2005**

(57) **CLAIM**

(51) **LOC (8) Cl.** **06-04**

I claim the ornamental design for a display rack, as shown and described.

(52) **U.S. Cl.** **D6/467**

(58) **Field of Classification Search** D6/300,
D6/449, 474, 464, 415, 450, 451, 457, 411,
D6/467, 466, 463, 462, 455; 211/13.1, 85.3,
211/30, 33, 205, 196; 312/7.2, 204; D14/224,
D14/221; 108/59; 47/39, 67; 248/175, 165,
248/167, 163.1

See application file for complete search history.

DESCRIPTION

FIG. 1 is a side elevation of a display rack of the present invention, the opposite side being a mirror image thereof. FIG. 2 is a side elevation taken from the left side of FIG. 1, the opposite side being a mirror image thereof.

(56) **References Cited**

U.S. PATENT DOCUMENTS

305,381	A	9/1884	Forsaith	
402,885	A	5/1889	Babcock	
591,453	A	10/1897	Chickering	
D49,664	S	9/1916	Farmer	
D55,642	S	* 7/1920	Prini D6/463
1,706,069	A	3/1929	Marquardt	
2,595,837	A	5/1952	Freeman	
D186,517	S	11/1959	Walsh et al.	
3,015,024	A	* 12/1961	Charchan et al. 362/227
3,172,539	A	3/1965	Rulf	

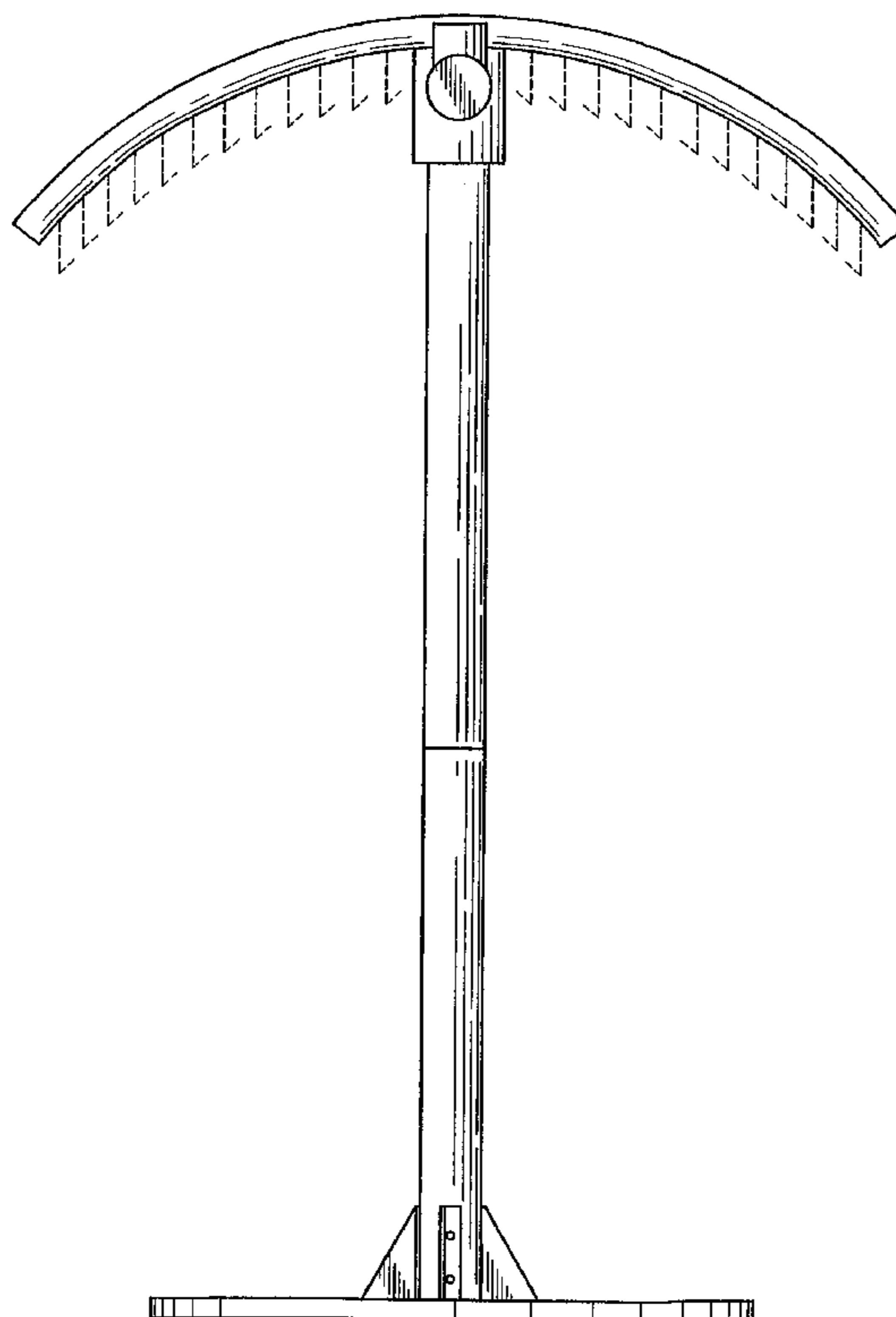
FIG. 3 is a top elevation view of the display rack shown in the previous figures.

FIG. 4 is a bottom elevation view of the display rack shown in the previous figures; and,

FIG. 5 is a perspective view of the display rack from the upper left of FIG. 1.

The broken lines are intended to illustrate a series of hooks situated on the underside of the outwardly extending arms of the display rack. The hooks shown in the drawings are for illustrative purposes only and form no part of the claimed design.

1 Claim, 5 Drawing Sheets



US D536,906 S

Page 2

U.S. PATENT DOCUMENTS

3,532,224	A	10/1970	Grubb et al.			
3,568,852	A	3/1971	Howard			
3,905,480	A	9/1975	Grincerì			
D241,193	S	* 8/1976	Salcer	D6/457		
3,984,002	A	10/1976	Howard			
4,060,214	A	* 11/1977	Metcalf	248/165		
D252,779	S	9/1979	Mogelhoj			
D259,077	S	* 5/1981	Lane	D6/412		
D263,653	S	* 4/1982	Viets	D6/397		
4,361,241	A	11/1982	Stoddard			
D290,196	S	* 6/1987	Miller	D6/415		
4,724,967	A	2/1988	Valiulis			
D298,193	S	* 10/1988	Carlson	D6/462		
D299,805	S	* 2/1989	Pifher	D7/641		
4,981,227	A	1/1991	Ingram			
5,037,049	A	* 8/1991	Funk	248/165		
D322,524	S	* 12/1991	Allen	D6/411		
D327,993	S	7/1992	Brunner			
5,152,404	A	10/1992	Salrin et al.			
5,303,830	A	4/1994	Metcalf			
5,333,828	A	* 8/1994	Severeid	248/519		
5,462,178	A	10/1995	Wallach et al.			
D369,252	S	* 4/1996	Solomon-Wise	D6/457		
D391,706	S	* 3/1998	Malcolm	D32/35		
5,740,928	A	4/1998	Dale et al.			
5,860,239	A	1/1999	Thalenfeld et al.			
D429,920	S	* 8/2000	Malapane	D6/457		
6,131,745	A	10/2000	Baker, Jr.			
D439,442	S	* 3/2001	Adams	D6/458		
6,273,277	B1	8/2001	Geldenhuis			
D448,201	S	* 9/2001	Walter	D6/411		
6,308,842	B1	10/2001	Robbins, III et al.			
D450,473	S	* 11/2001	Walter	D6/411		
D463,679	S	* 10/2002	Chang	D6/411		
D466,719	S	* 12/2002	Fitzpatrick	D6/415		
6,942,112	B2	9/2005	Robbins, III			

* cited by examiner

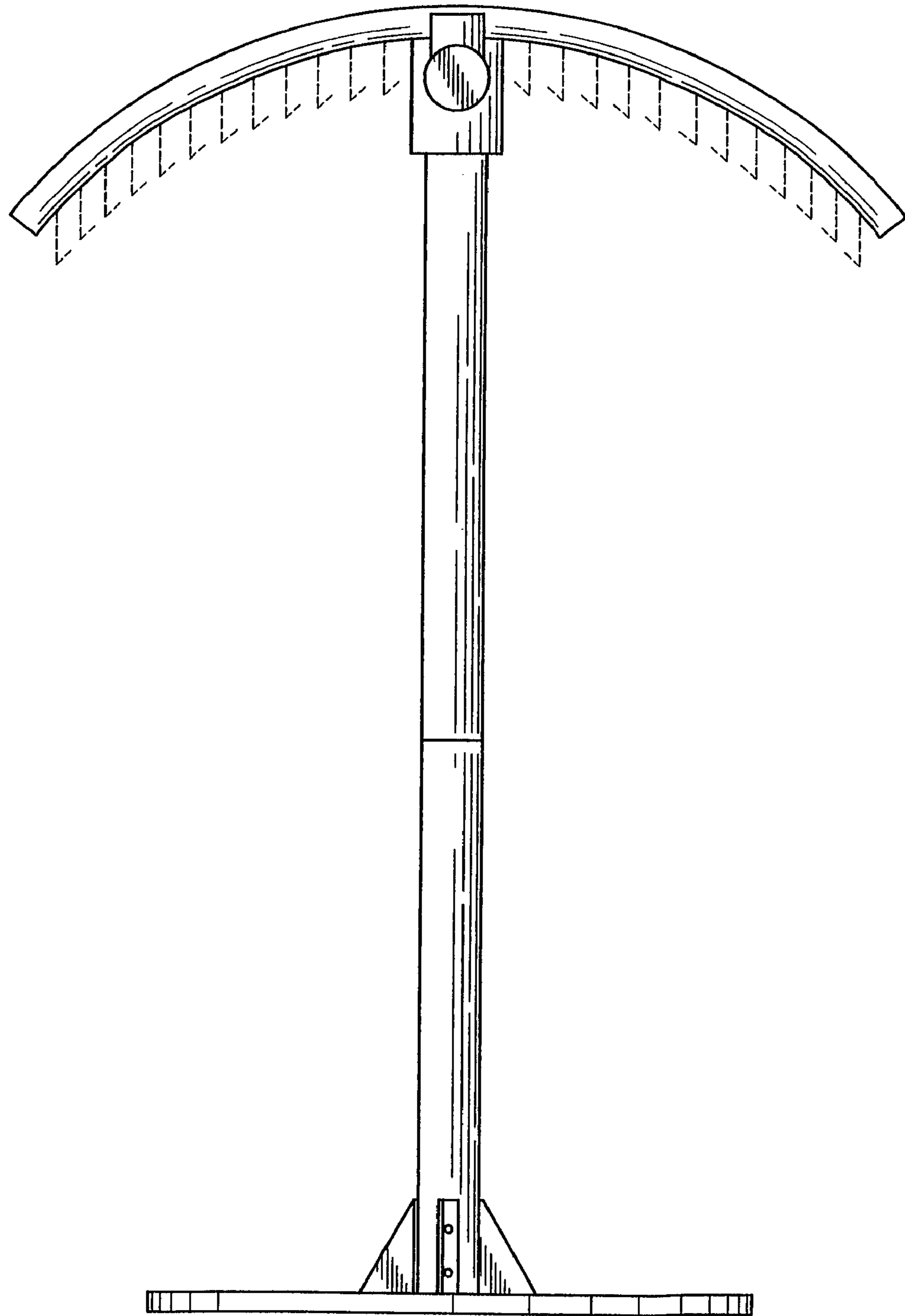


Fig. 1

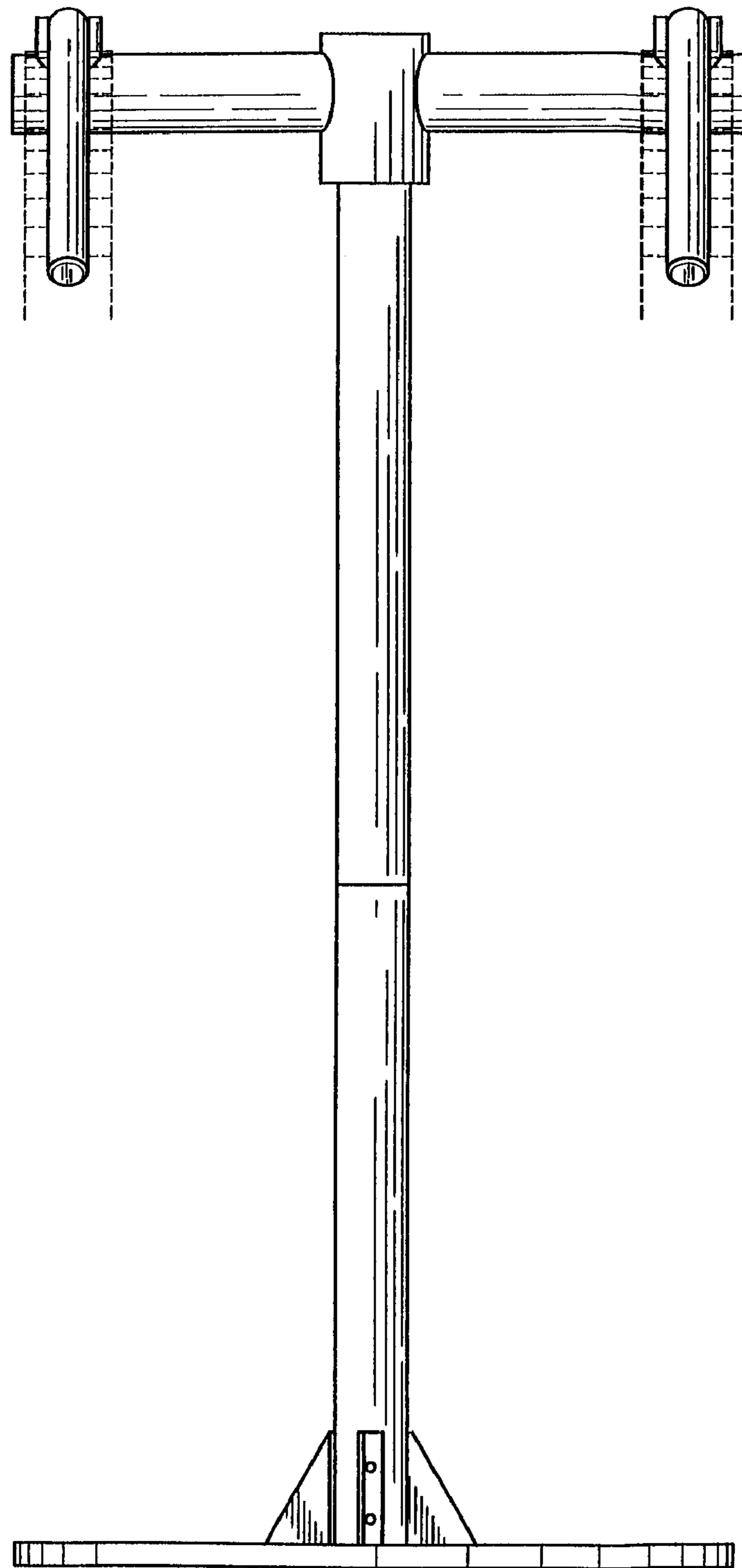


Fig. 2

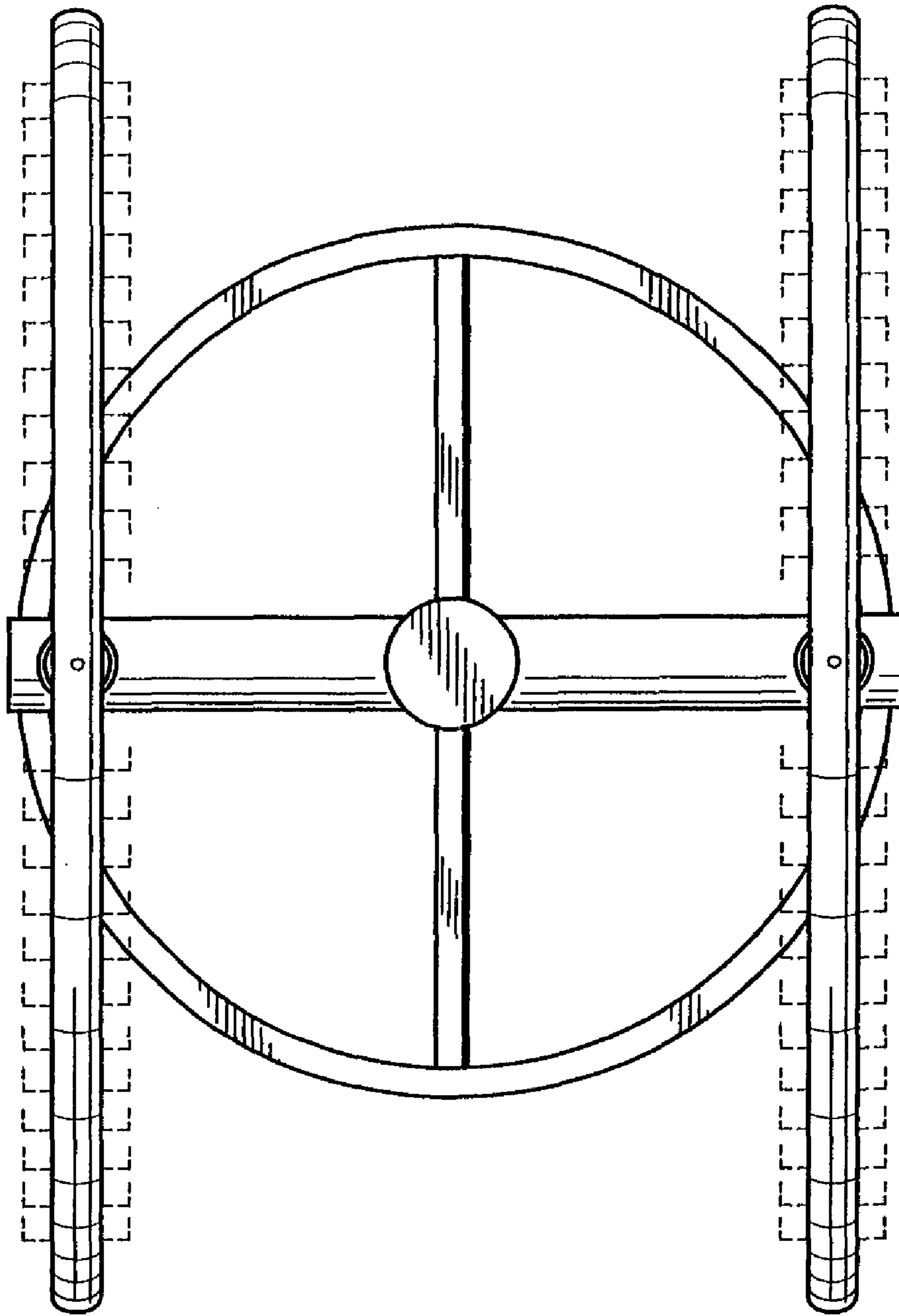


Fig. 3

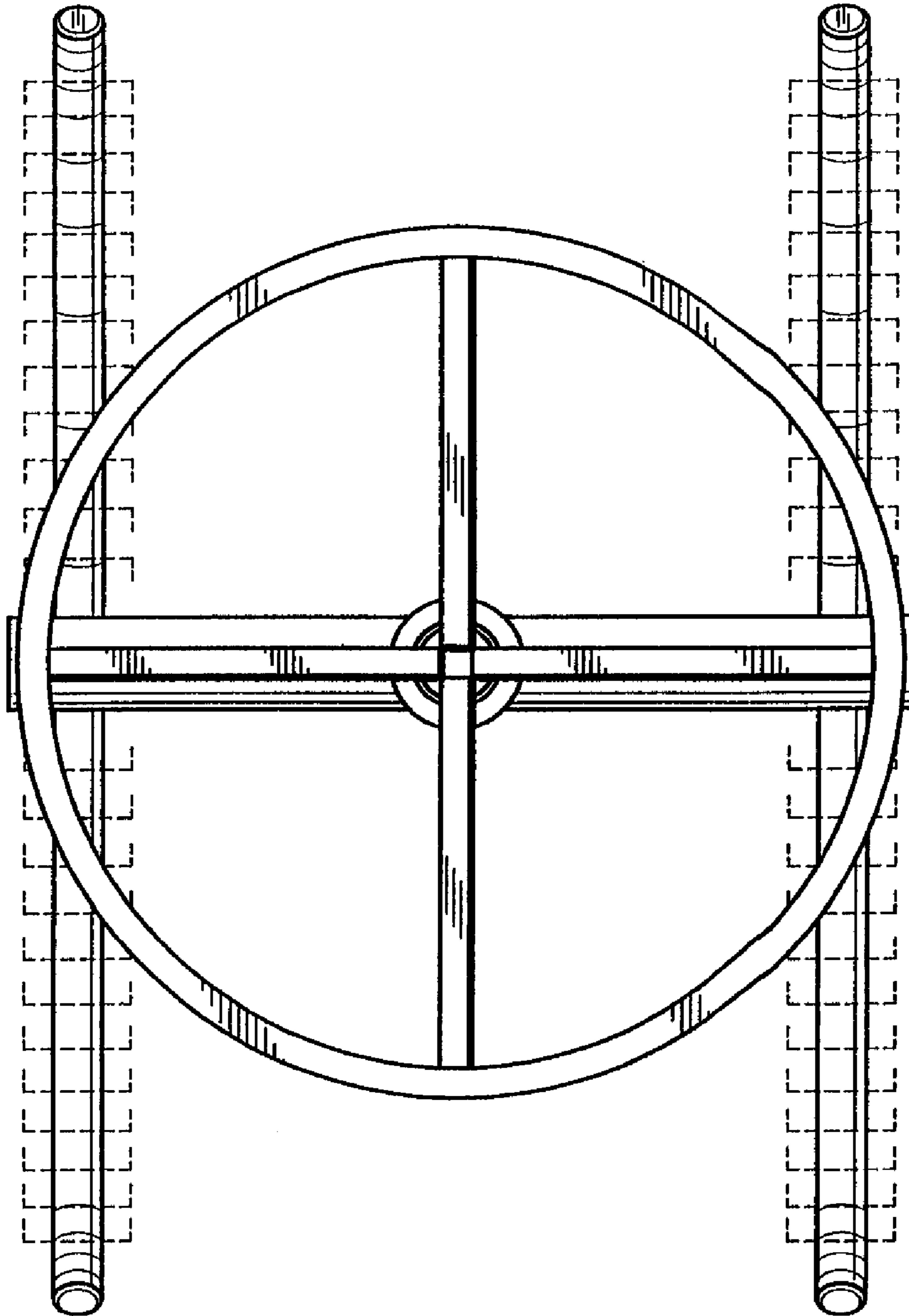


Fig. 4

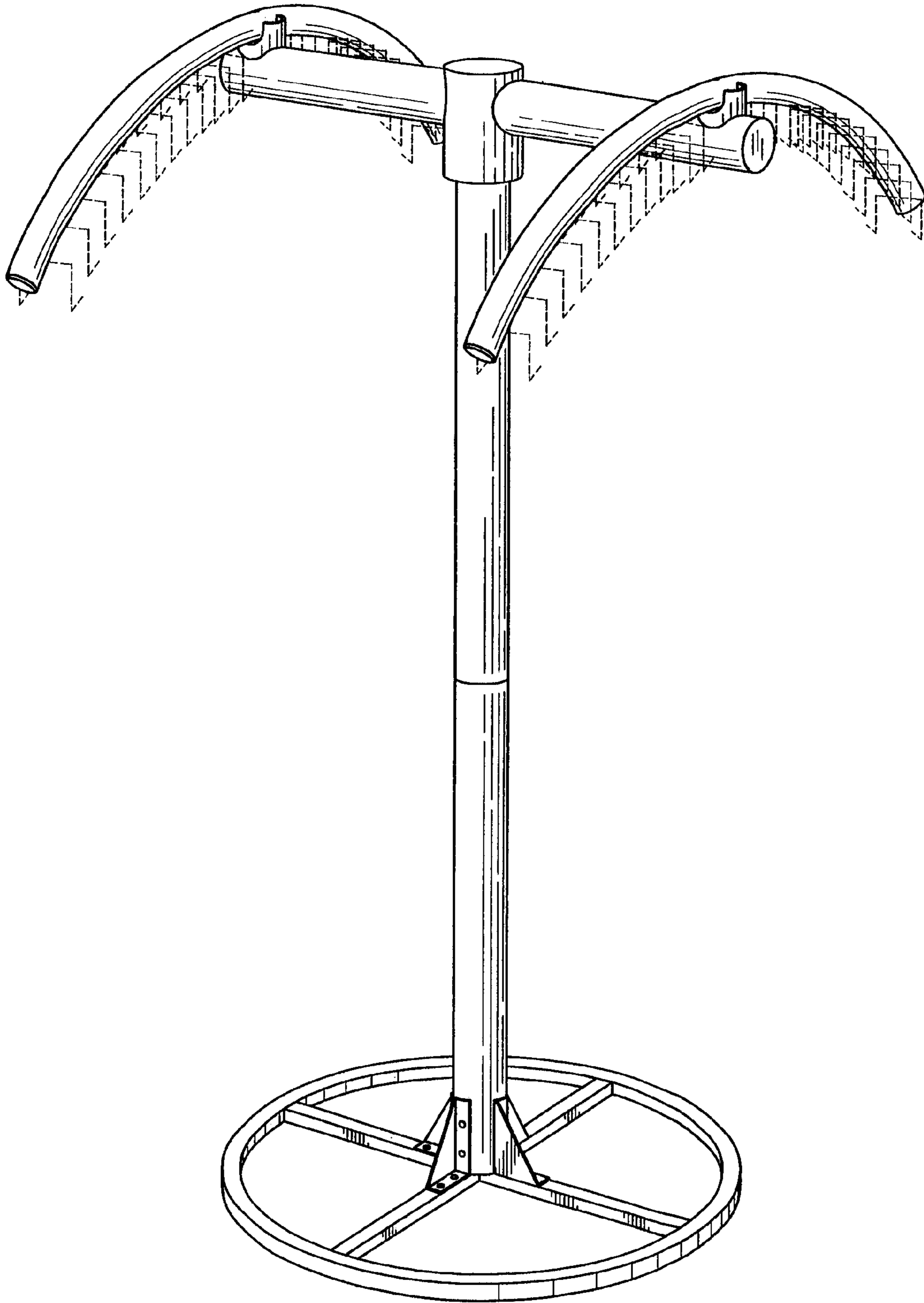


Fig. 5