



US00D536905S

(12) **United States Design Patent**  
**Raile**

(10) **Patent No.:** **US D536,905 S**

(45) **Date of Patent:** **\*\* Feb. 20, 2007**

(54) **EYEGLASS DISPLAY**

(75) Inventor: **Bruce Raile**, Park City, UT (US)

(73) Assignee: **Sun Optics, Inc.**, Salt Lake City, UT (US)

(\*\*) Term: **14 Years**

(21) Appl. No.: **29/227,262**

(22) Filed: **Apr. 8, 2005**

(51) **LOC (8) Cl.** ..... **06-04**

(52) **U.S. Cl.** ..... **D6/467**

(58) **Field of Classification Search** ..... D6/469,  
D6/467, 466, 534, 528; 211/85.1, 85.13,  
211/85.4, 60.1, 62, 69.1, 70.3, 70.4, 70.6,  
211/70.7, 70.8, 107, 49.1, 63, 75, 87.01, 90.04,  
211/70.1, 89.01; D19/60; D24/234, 227,  
D24/224; D20/10

See application file for complete search history.

(56) **References Cited**

**U.S. PATENT DOCUMENTS**

1,092,156 A 4/1914 Mathis  
2,606,708 A 8/1952 Irvan

(Continued)

**FOREIGN PATENT DOCUMENTS**

DE 3815889 11/1989

*Primary Examiner*—Janice E. Seeger  
*Assistant Examiner*—Sydney R. Buffalow

(74) *Attorney, Agent, or Firm*—Workman-Nydegger

(57) **CLAIM**

The ornamental design for an eyeglass display, as shown and described.

**DESCRIPTION**

FIG. 1 is a perspective view of an eyeglass display in accordance with the present invention;

FIG. 2 is a top plan view of the eyeglass display as shown in FIG. 1;

FIG. 3 is a right side elevational view of the eyeglass display shown in FIG. 1, with the left side being a mirror image thereof;

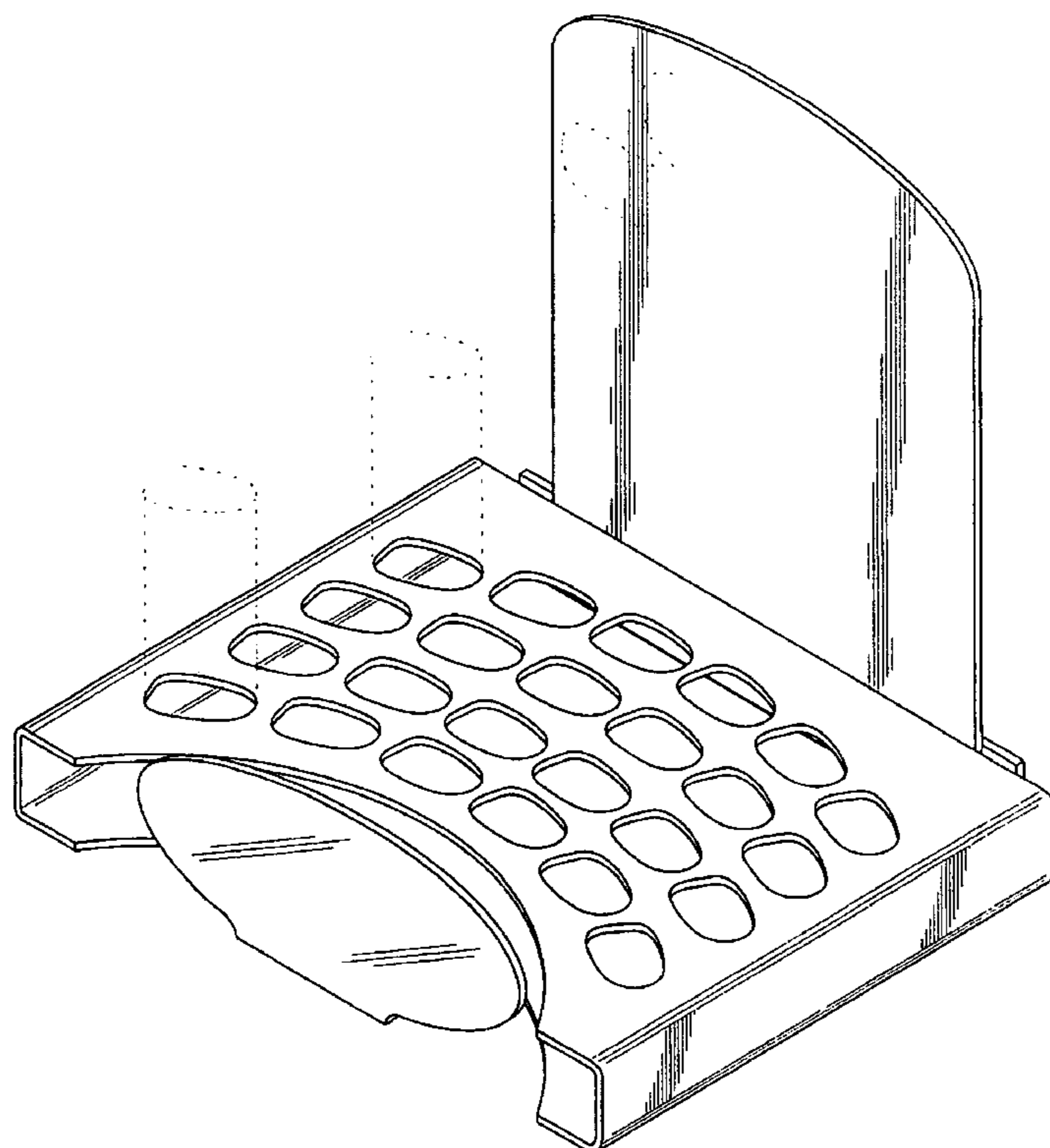
FIG. 4 is a back elevational view of the eyeglass display as shown in FIG. 1;

FIG. 5 is a front elevational view of the eyeglass display as shown in FIG. 1; and,

FIG. 6 is a bottom plan view of the eyeglass display as shown in FIG. 1, with the right side being a mirror image thereof.

The broken lines are for illustrative purposes only and form no part of the claimed design.

**1 Claim, 4 Drawing Sheets**



# US D536,905 S

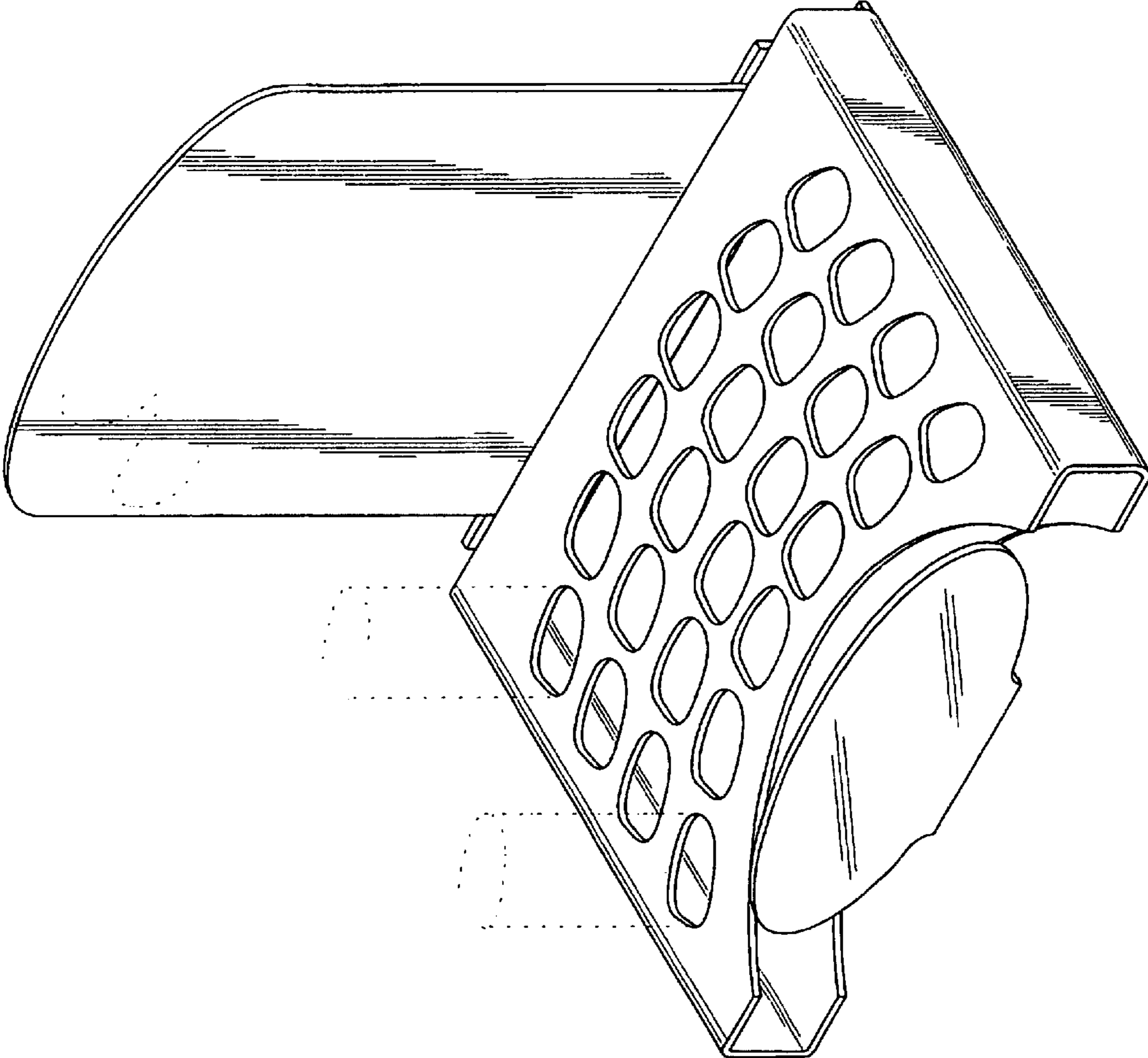
Page 2

## U.S. PATENT DOCUMENTS

2,713,947	A	7/1955	Foster		
2,735,597	A	2/1956	Treleven		
2,747,760	A	5/1956	Jacobson		
2,816,666	A	12/1957	Nadel		
RE24,571	E	11/1958	Nadel		
2,936,897	A	5/1960	Bloch		
2,966,271	A	12/1960	Nadel		
3,333,709	A	8/1967	Leblanc et al.		
D208,469	S	9/1967	Parker		
3,357,568	A	12/1967	Leblanc et al.		
3,593,856	A	7/1971	Zander		
3,817,392	A	6/1974	Bloch		
3,857,482	A	12/1974	Shelton		
3,866,800	A	2/1975	Schmitt		
3,921,804	A	* 11/1975	Tester	206/531	
3,987,892	A	* 10/1976	Killy	206/563	
4,000,810	A	1/1977	Leblanc		
4,204,602	A	5/1980	Dunchock		
4,240,557	A	* 12/1980	Dickens	211/153	
D267,992	S	2/1983	Shelton		
D275,160	S	8/1984	Shelton		
D275,161	S	8/1984	Shelton		
4,572,366	A	2/1986	Carson		
4,614,272	A	9/1986	Shelton et al.		
4,715,575	A	12/1987	Kamerer		
4,733,775	A	3/1988	Fireman		
4,744,461	A	5/1988	Lapham		
D301,575	S	* 6/1989	Crawford, Jr.	D13/119	
4,907,705	A	* 3/1990	Waldeck	211/85.4	
5,057,282	A	* 10/1991	Linder	422/104	
5,141,117	A	8/1992	Olsen et al.		
D332,442	S	* 1/1993	Simpson, Sr.	D13/119	
D332,664	S	* 1/1993	Sincock	D24/227	
D336,181	S	* 6/1993	Muniz	D6/467	
D338,965	S	* 8/1993	Glanz et al.	D24/226	
D359,126	S	* 6/1995	Hovatter	D24/227	
5,423,419	A	6/1995	Wentz et al.		
D360,321	S	* 7/1995	Wang et al.	D6/469	
5,501,321	A	3/1996	Liu		
D369,415	S	* 4/1996	Boulton et al.	D24/224	
D369,466	S	5/1996	Jannard et al.		
5,514,343	A	* 5/1996	Verwohlt et al.	422/104	
5,568,872	A	10/1996	Hinnant, Sr.		
5,579,929	A	* 12/1996	Schwartz	211/74	
D381,515	S	* 7/1997	Haynes	D3/313	
D387,874	S	* 12/1997	Vila	D24/227	
5,725,109	A	* 3/1998	Moulton et al.	211/73	
D393,543	S	* 4/1998	Wilkening et al.	D3/313	
5,860,358	A	* 1/1999	Shriver	99/426	
5,929,967	A	7/1999	Conner		
5,949,515	A	9/1999	Hoshino		
5,996,818	A	* 12/1999	Boje et al.	211/74	
D420,533	S	* 2/2000	Pugatch	D6/469	
D438,632	S	* 3/2001	Miller	D24/224	
D448,854	S	* 10/2001	Kuiper et al.	D24/230	
6,382,407	B1	5/2002	Chao		
6,415,915	B1	7/2002	Grossman		
D461,554	S	* 8/2002	Lafond et al.	D24/230	
6,491,158	B2	12/2002	Chen		
6,626,287	B1	9/2003	Watson		
D496,191	S	* 9/2004	Johnson	D6/465	
6,789,664	B1	9/2004	Chao		
D504,550	S	* 4/2005	Setcer, Jr.	D99/34	
6,929,116	B2	8/2005	Chao et al.		
2003/0111361	A1	6/2003	Fischer et al.		

\* cited by examiner

Fig. 1



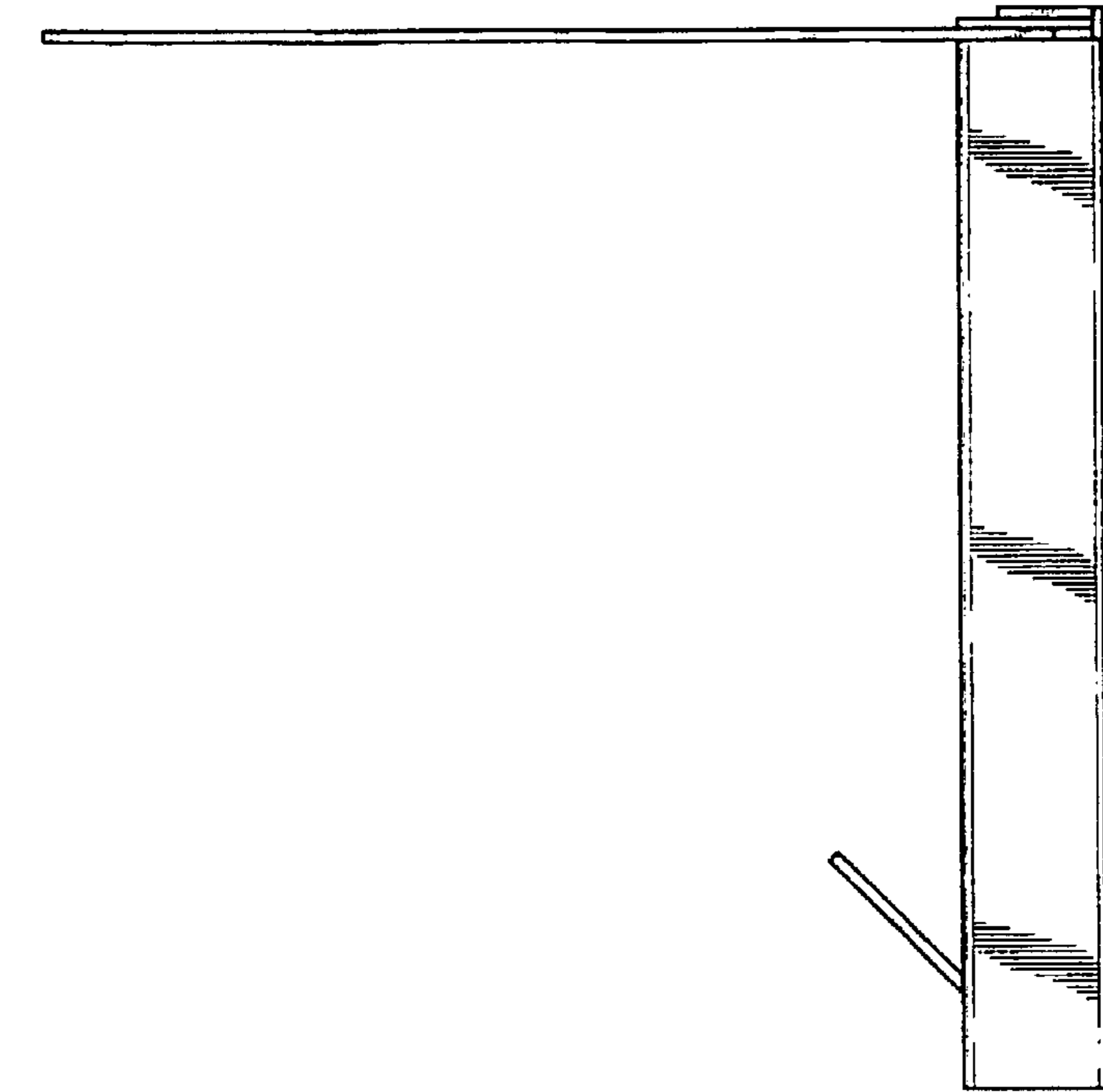


Fig. 3

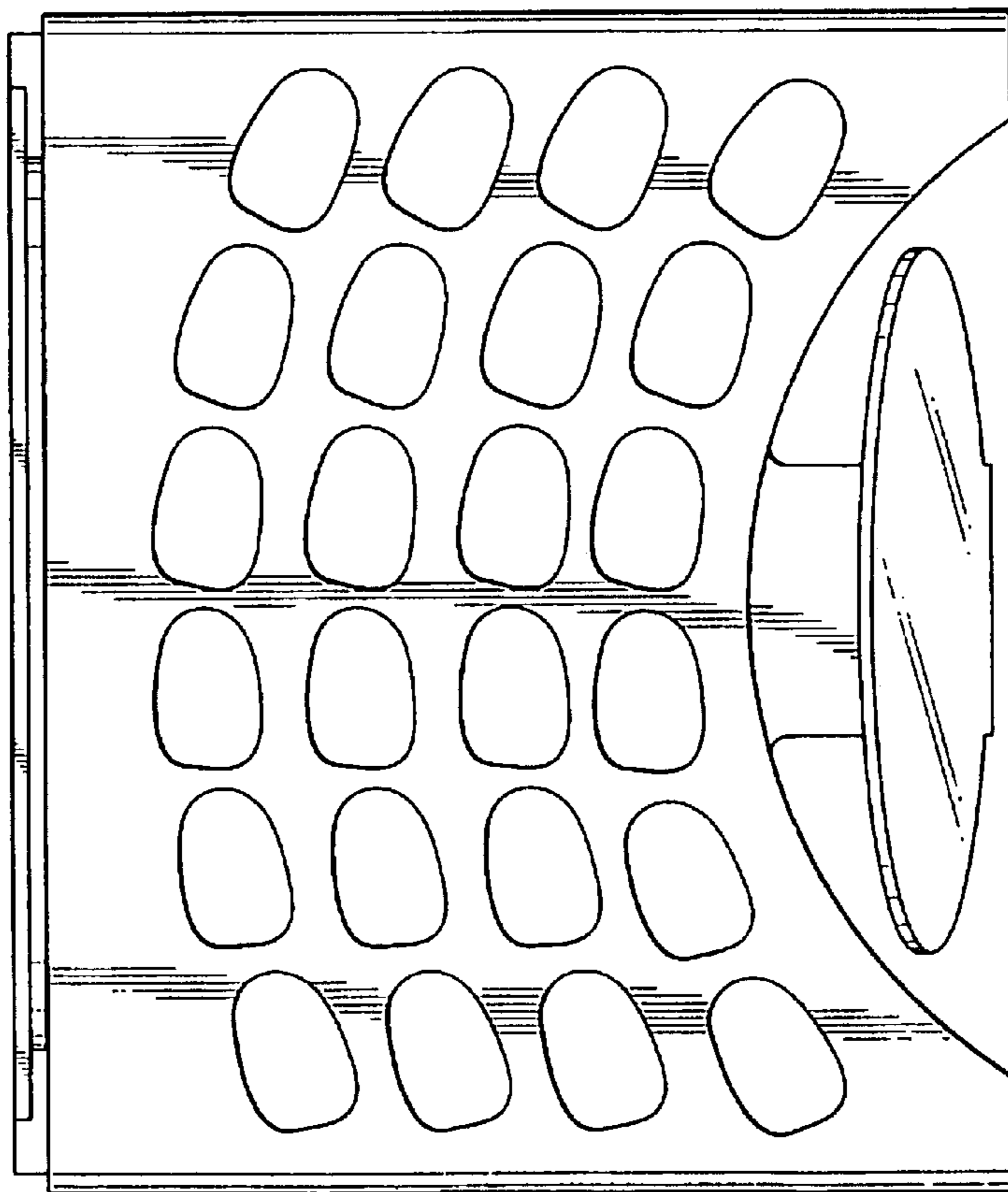


Fig. 2

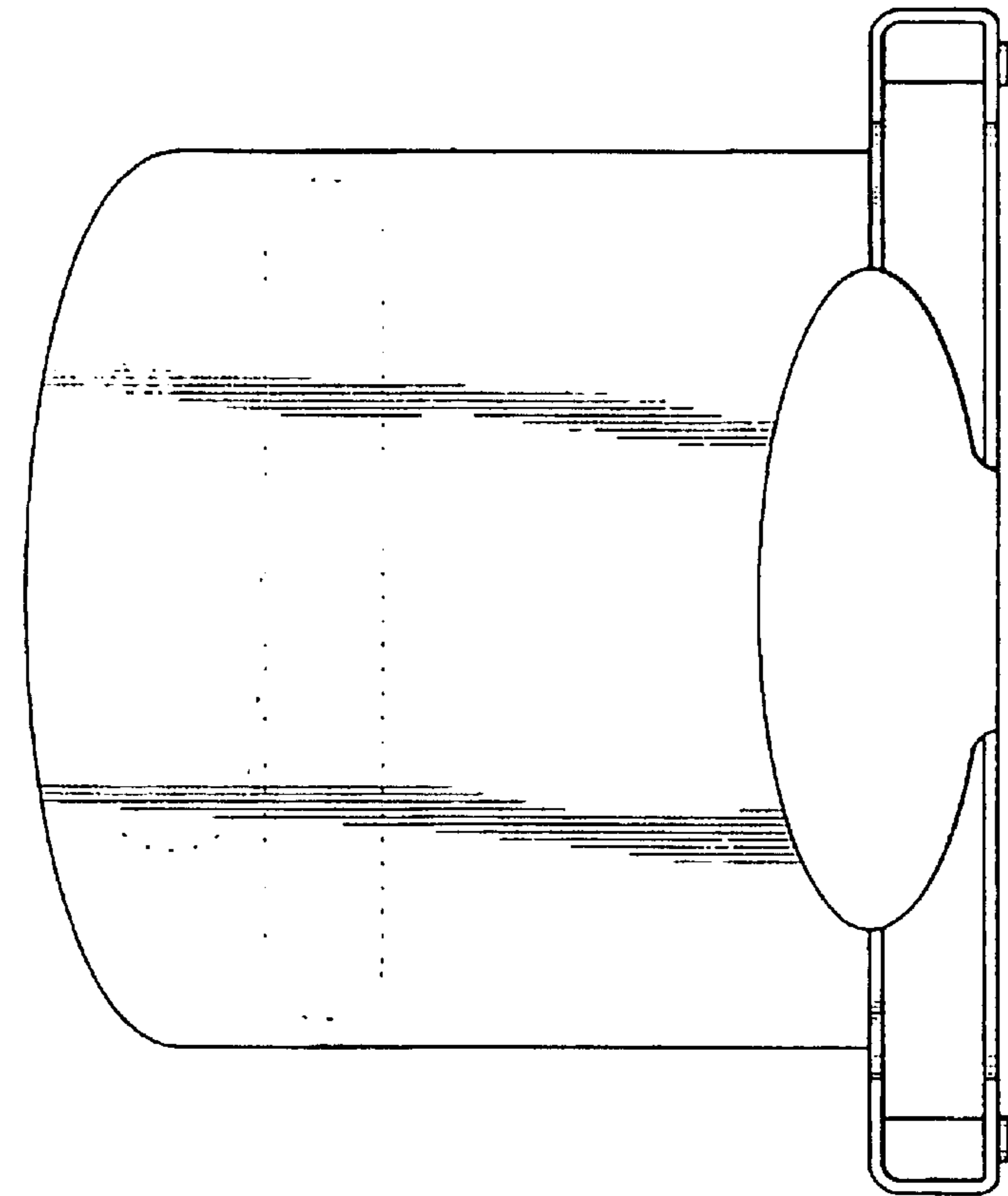


Fig. 5

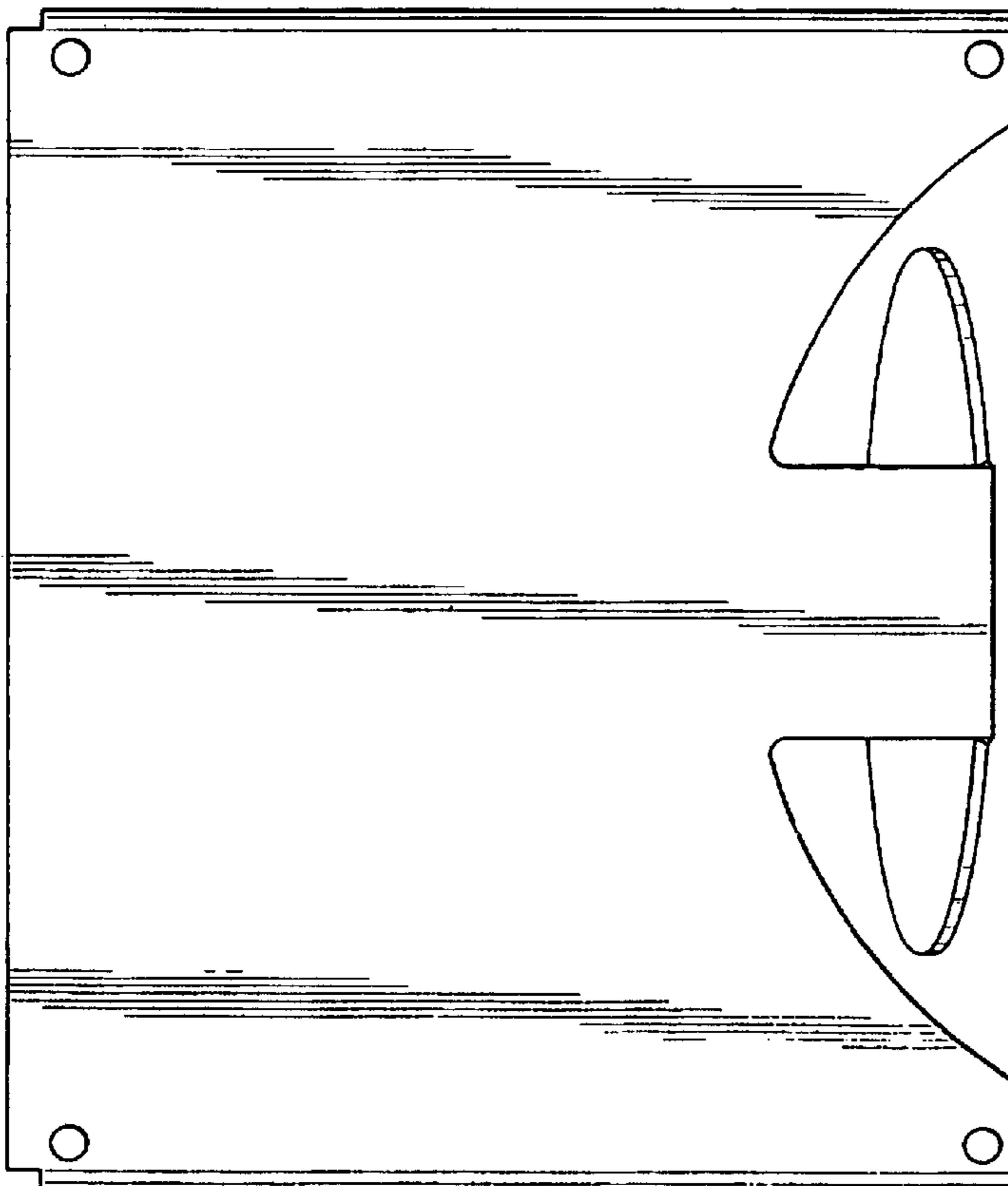
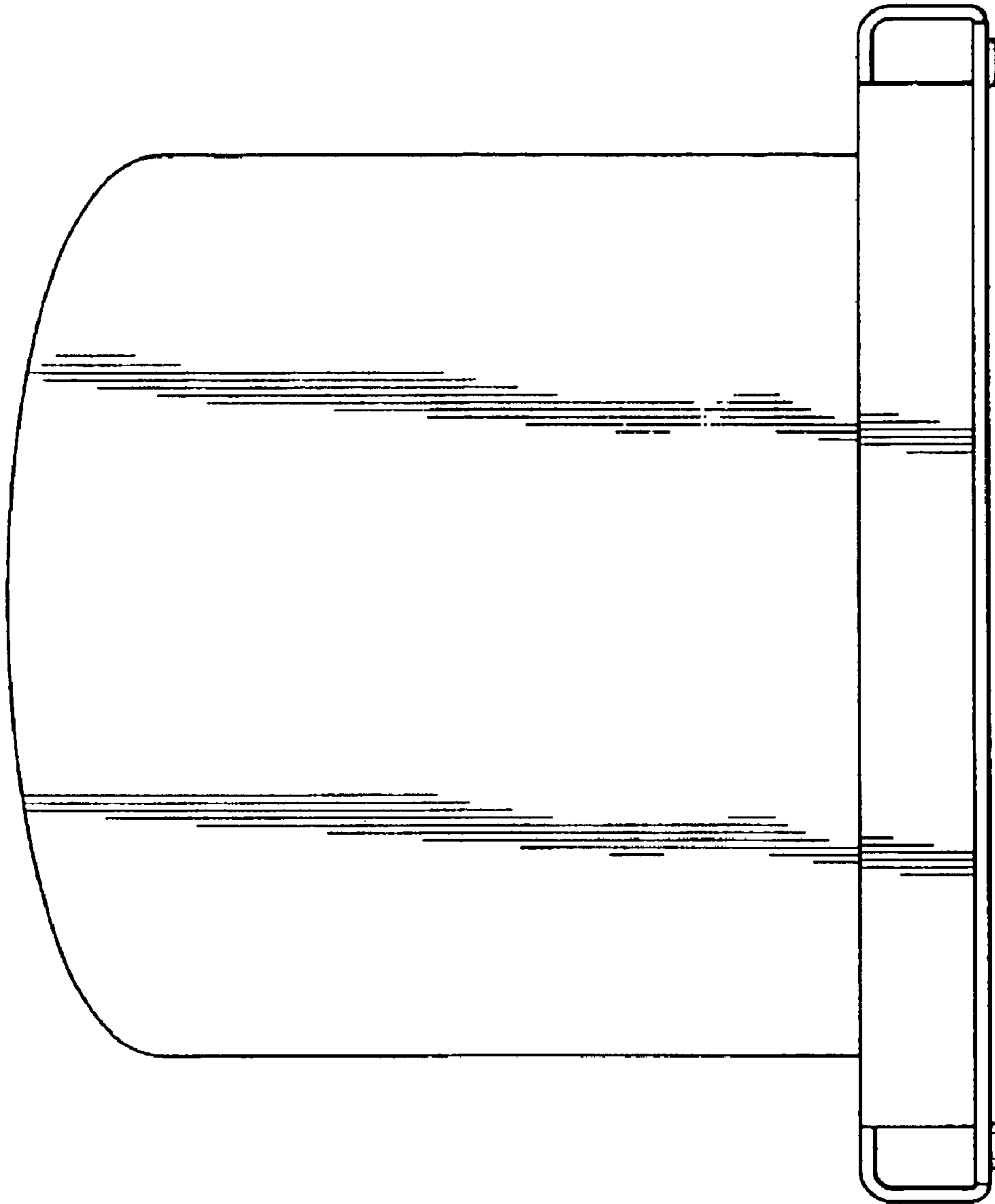


Fig. 4



**Fig. 6**