



US00D536899S

(12) **United States Design Patent**
Nicoletti

(10) **Patent No.:** **US D536,899 S**

(45) **Date of Patent:** **** Feb. 20, 2007**

- (54) **SOFA**
- (75) Inventor: **Giuseppe Nicoletti**, Matera (IT)
- (73) Assignee: **Nicoletti S.p.A.**, Matera (IT)
- (**) Term: **14 Years**
- (21) Appl. No.: **29/219,870**
- (22) Filed: **Dec. 27, 2004**
- (30) **Foreign Application Priority Data**

Jun. 25, 2004 (IT) RM2004O0038

- (51) **LOC (8) Cl.** **06-01**
- (52) **U.S. Cl.** **D6/381**
- (58) **Field of Classification Search** D6/334-336,
D6/349, 358, 353, 356, 360, 377, 364-366,
D6/368-370, 379-381, 500-502; 297/16.1,
297/68, 452.1, 452.2, 461, 118, 232; D11/149;
5/12.1, 653, 655.3

See application file for complete search history.

(56) **References Cited**

U.S. PATENT DOCUMENTS

- 2,828,802 A * 4/1958 Maurer 297/88
- D382,416 S * 8/1997 Gera D6/381
- 5,740,564 A * 4/1998 Hankins et al. 5/12.1
- D434,572 S * 12/2000 Christa et al. D6/335
- D446,039 S * 8/2001 Gomez D6/381
- D481,217 S * 10/2003 Nicoletti D6/381

- D481,551 S * 11/2003 Lewis et al. D6/377
- D485,086 S * 1/2004 Gomez D6/381
- D487,998 S * 4/2004 Natuzzi D6/381
- D488,315 S * 4/2004 Natuzzi D6/381
- D489,544 S * 5/2004 Nastri D6/381
- D497,731 S * 11/2004 Ricci D6/381
- D498,941 S * 11/2004 Ricci D6/381
- D499,264 S * 12/2004 Ricci D6/381
- D504,033 S * 4/2005 Ricci D3/381
- D504,247 S * 4/2005 Ricci D6/381
- D514,840 S * 2/2006 Ghetti D6/381
- D519,296 S * 4/2006 Ghetti D6/381
- D519,744 S * 5/2006 Nicoletti D6/381

* cited by examiner

Primary Examiner—Sandra S. Snapp
(74) *Attorney, Agent, or Firm*—Young & Thompson

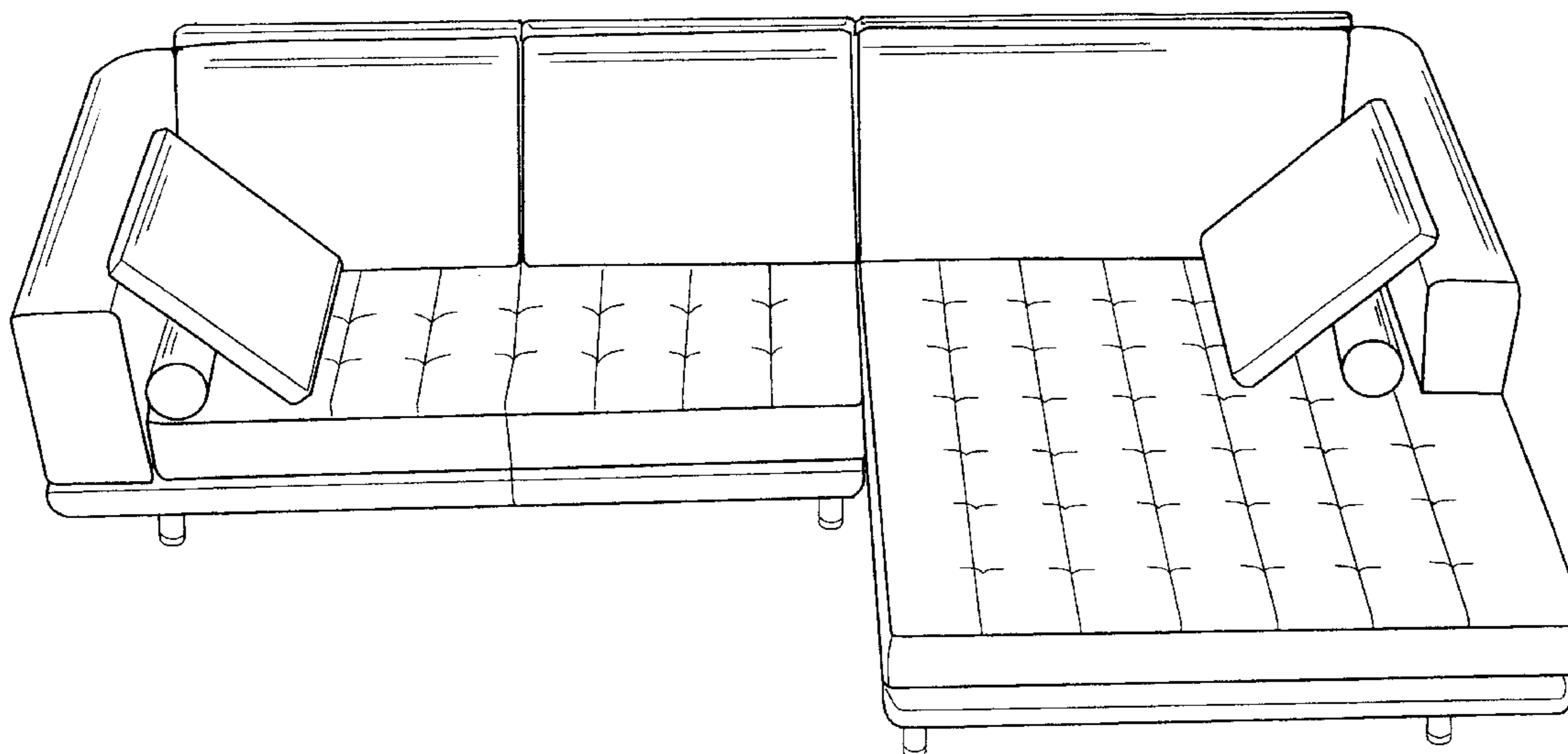
(57) **CLAIM**

The ornamental design for a sofa, as shown and described.

DESCRIPTION

FIG. 1 is a top and front perspective view of a sofa showing my new design;
FIG. 2 is a top and front perspective view thereof from a higher angle than in FIG. 1;
FIG. 3 is a side elevational view thereof from the left of FIG. 1, the side elevational view from the right of FIG. 1 being the mirror image thereof; and,
FIG. 4 is a rear elevational view thereof.

1 Claim, 4 Drawing Sheets



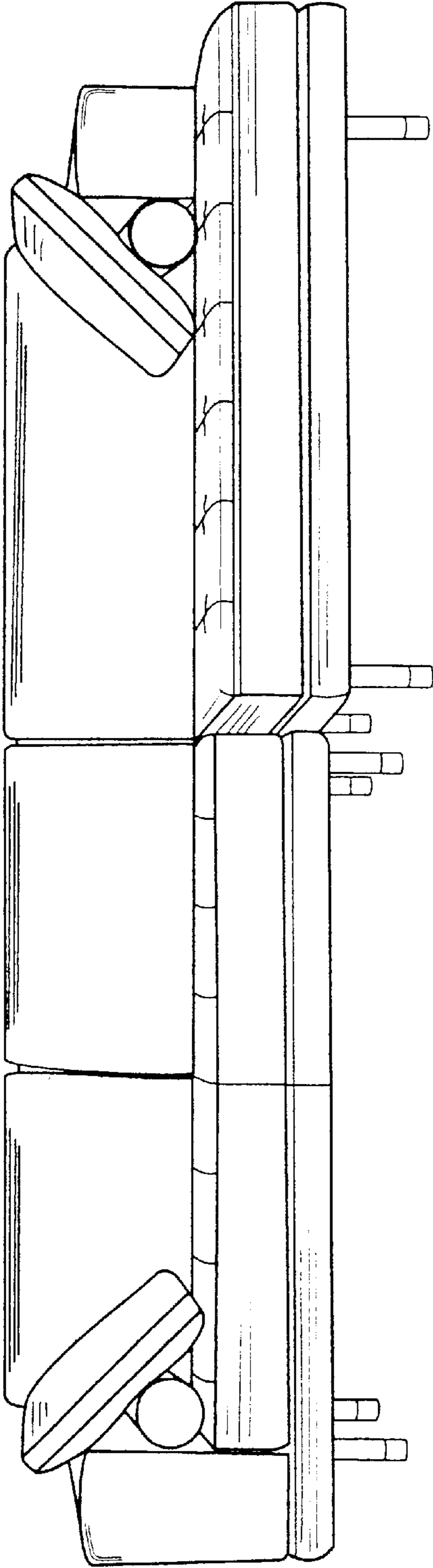


FIG. 1

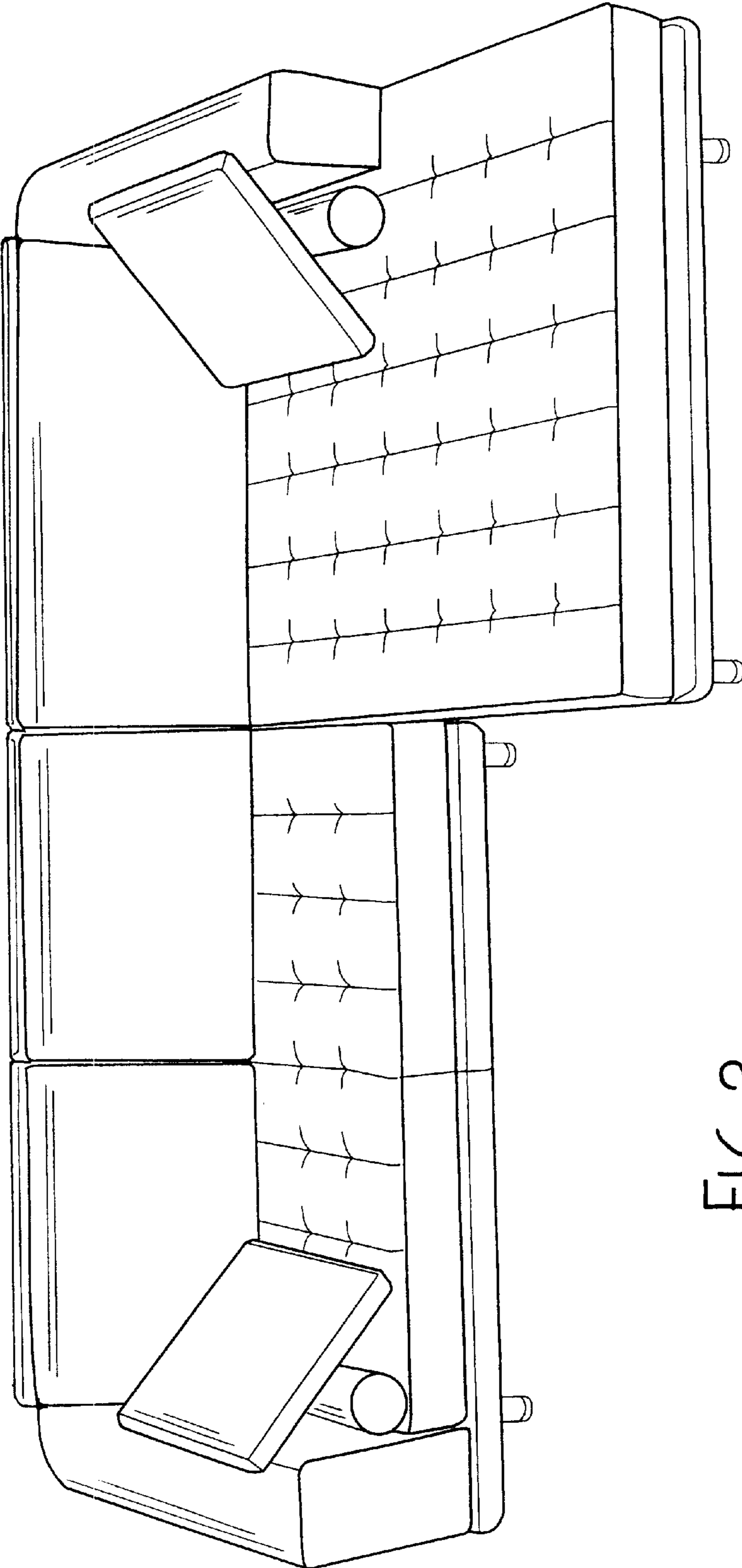


FIG. 2

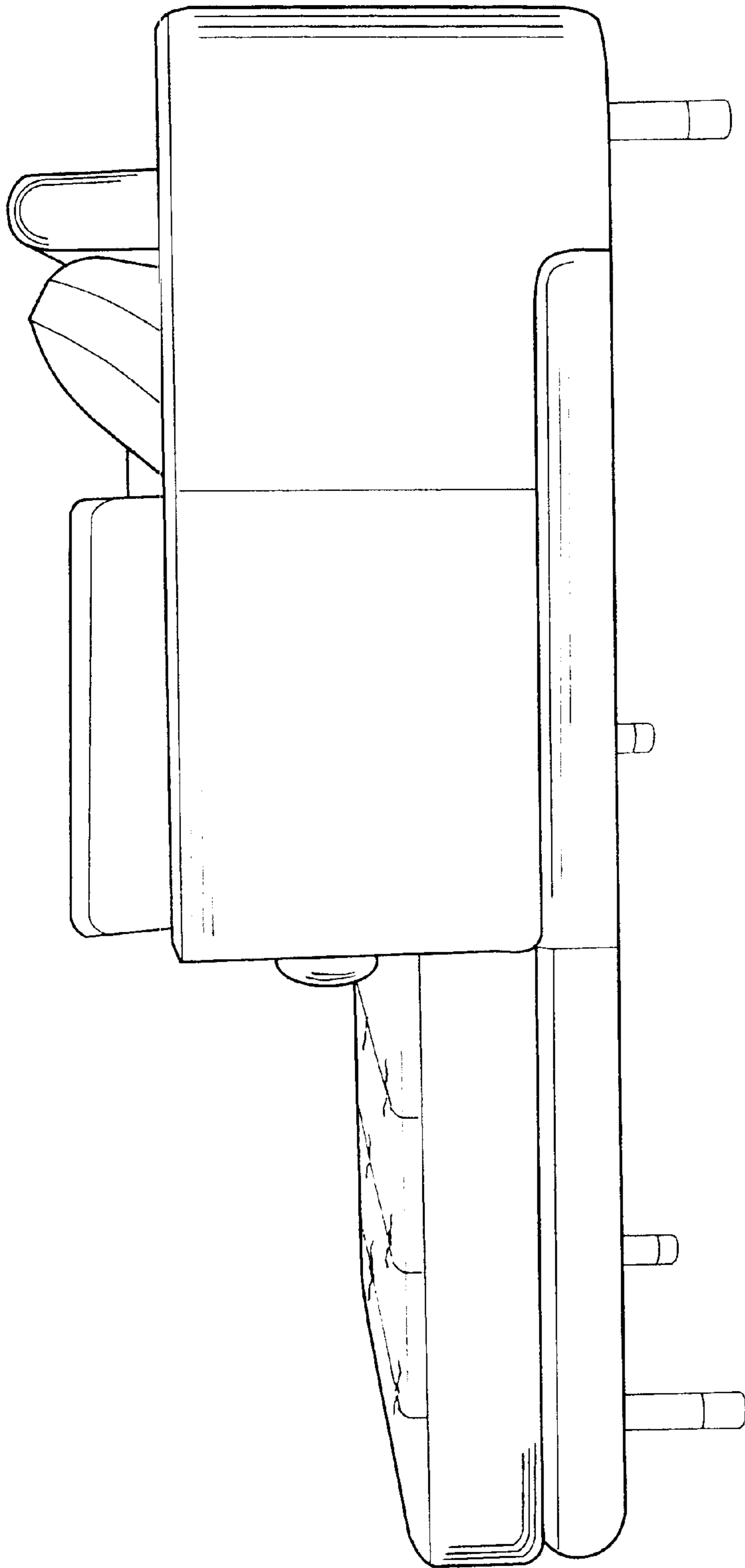


FIG. 3

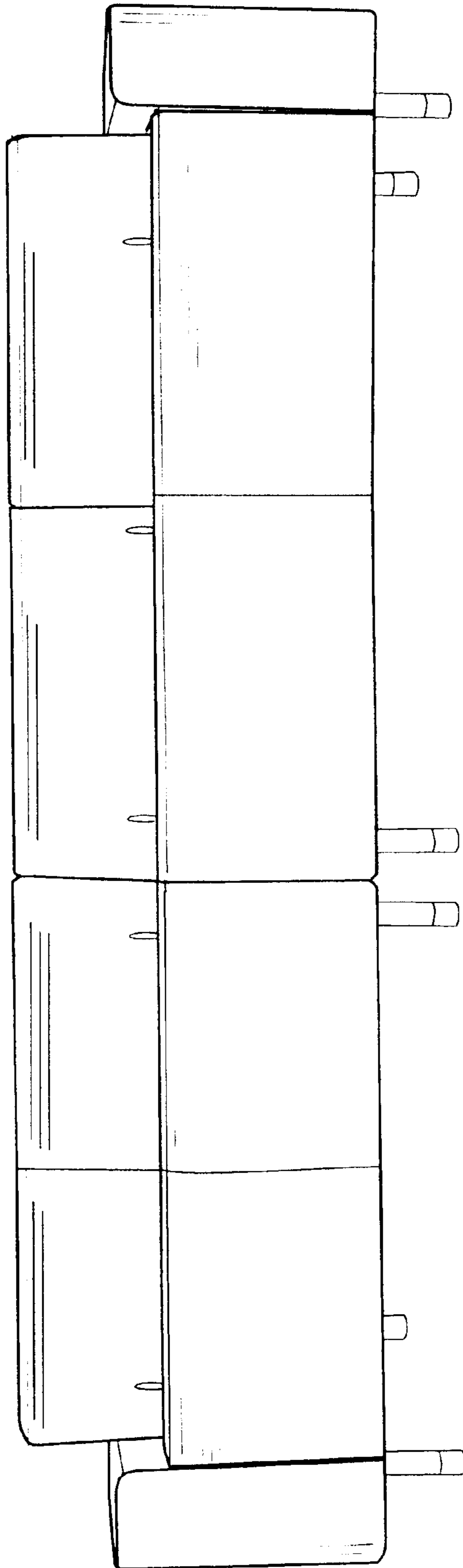


FIG. 4