



US00D536898S

(12) **United States Design Patent**  
**Mohundro**

(10) **Patent No.:** **US D536,898 S**

(45) **Date of Patent:** **\*\* Feb. 20, 2007**

(54) **LOVESEAT**

(76) **Inventor:** **James Glenn Mohundro, c/o 3F-4 No. 161, Kung-I Road, Taichung (TW), 403**

(\*\*) **Term:** **14 Years**

(21) **Appl. No.:** **29/207,588**

(22) **Filed:** **Jun. 17, 2004**

(51) **LOC (8) Cl.** ..... **06-01**

(52) **U.S. Cl.** ..... **D6/381**

(58) **Field of Classification Search** ..... D6/334-337,  
D6/349, 369, 381, 382, 384, 390, 391, 374,  
D6/500-502; 297/232-233, 240, 242, 244-245,  
297/445.1, 446.1, 451.9, 452.11, 452.12;  
5/12.1

See application file for complete search history.

(56) **References Cited**

**U.S. PATENT DOCUMENTS**

D305,184 S	*	12/1989	Coley	.....	D6/381
D350,034 S	*	8/1994	Natuzzi et al.	.....	D6/381
D368,598 S	*	4/1996	Natuzzi et al.	.....	D6/381
D373,484 S	*	9/1996	Natuzzi et al.	.....	D6/381
D384,215 S	*	9/1997	Chandler	.....	D6/381
D403,877 S	*	1/1999	Gibson	.....	D6/381
D414,954 S	*	10/1999	Christa et al.	.....	D6/381
D415,628 S	*	10/1999	Lewis	.....	D6/381
D418,992 S	*	1/2000	Natuzzi et al.	.....	D6/381
D422,159 S	*	4/2000	Lewis	.....	D6/381
D426,398 S	*	6/2000	Lewis	.....	D6/381
D428,556 S	*	7/2000	Natuzzi et al.	.....	D6/381
D428,725 S	*	8/2000	Lee	.....	D6/381
D438,721 S	*	3/2001	Binder et al.	.....	D6/381
D444,310 S	*	7/2001	Lee	.....	D6/381
D444,642 S	*	7/2001	Leon et al.	.....	D6/381
D447,883 S	*	9/2001	Meier et al.	.....	D6/381
D459,605 S	*	7/2002	Greene	.....	D6/381
D459,606 S	*	7/2002	Gibson	.....	D6/381
D459,607 S	*	7/2002	Gibson	.....	D6/381
D466,323 S	*	12/2002	Gibson	.....	D6/381
D466,715 S	*	12/2002	Gibson	.....	D6/381
D468,125 S	*	1/2003	Gibson	.....	D6/381
D470,326 S	*	2/2003	Ricci	.....	D6/381

D470,677 S	*	2/2003	Ricci	.....	D6/381
D472,077 S	*	3/2003	Meier et al.	.....	D6/491
D474,906 S	*	5/2003	Ricci	.....	D6/381
D475,217 S	*	6/2003	Ricci	.....	D6/381
D483,196 S	*	12/2003	Ricci	.....	D6/381
D484,338 S	*	12/2003	Lenger	.....	D6/500
D490,623 S	*	6/2004	Smith et al.	.....	D6/381
D490,999 S	*	6/2004	Ricci	.....	D6/381
D499,265 S	*	12/2004	Ricci	.....	D6/381
D499,568 S	*	12/2004	Ricci	.....	D6/381
D499,571 S	*	12/2004	Mohundro	.....	D6/381
D499,572 S	*	12/2004	Mohundro	.....	D6/381
D499,573 S	*	12/2004	Mohundro	.....	D6/381
D501,614 S	*	2/2005	Smith et al.	.....	D6/381
D502,020 S	*	2/2005	Mohundro	.....	D6/381
D504,027 S	*	4/2005	Ricci	.....	D6/381
D504,031 S	*	4/2005	Ricci	.....	D6/381

**OTHER PUBLICATIONS**

Natuzzi sofa model #1424, International Home Furnishings Market, High Point, N.C. Apr. 1996.\*  
Natuzzi sofa model #9502, International Home Furnishings Market, High Point, N.C. Apr. 1999.\*  
Natuzzi sofa model #9519, International Home Furnishings Market, High Point, N.C. 1999.\*

\* cited by examiner

*Primary Examiner*—Sandra S. Snapp

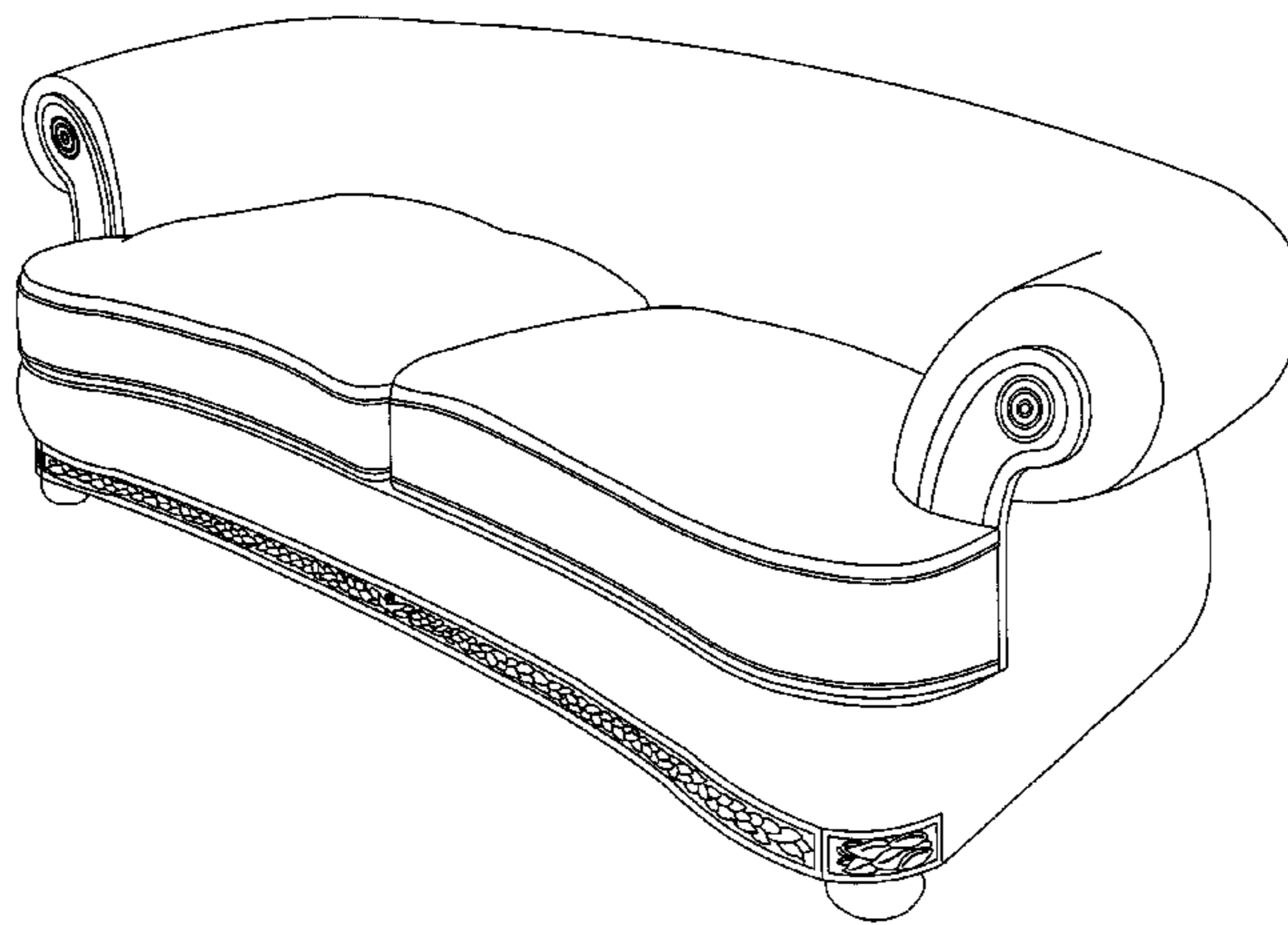
(57) **CLAIM**

The ornamental design for a loveseat, as shown and described.

**DESCRIPTION**

FIG. 1 is a top perspective view of a loveseat, showing my new design;  
FIG. 2 is a front elevational view thereof;  
FIG. 3 is a rear elevational view thereof;  
FIG. 4 is a left elevational view thereof;  
FIG. 5 is a right elevational view thereof;  
FIG. 6 is a top plan view thereof; and,  
FIG. 7 is a bottom plan view thereof.

**1 Claim, 6 Drawing Sheets**



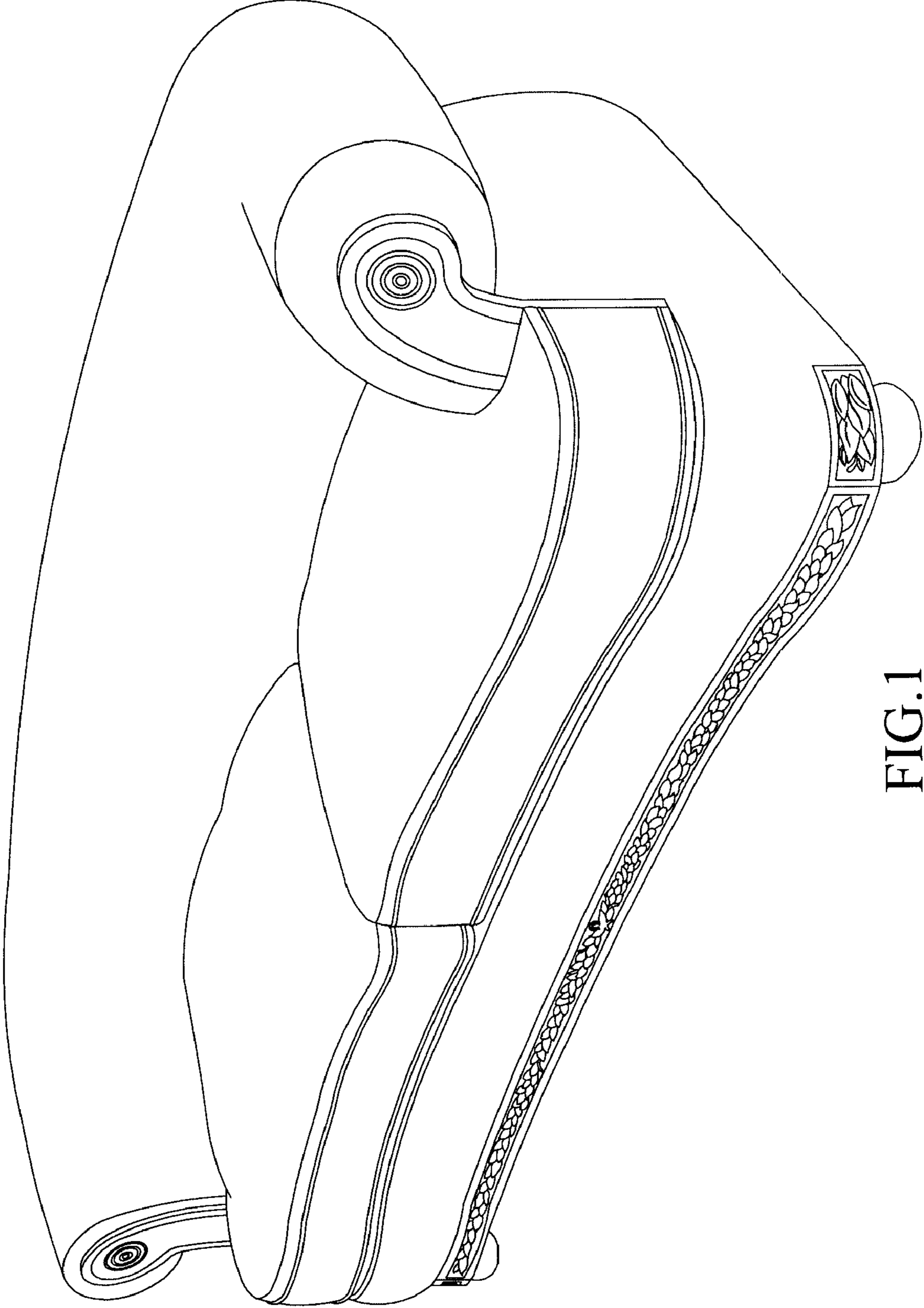


FIG.1

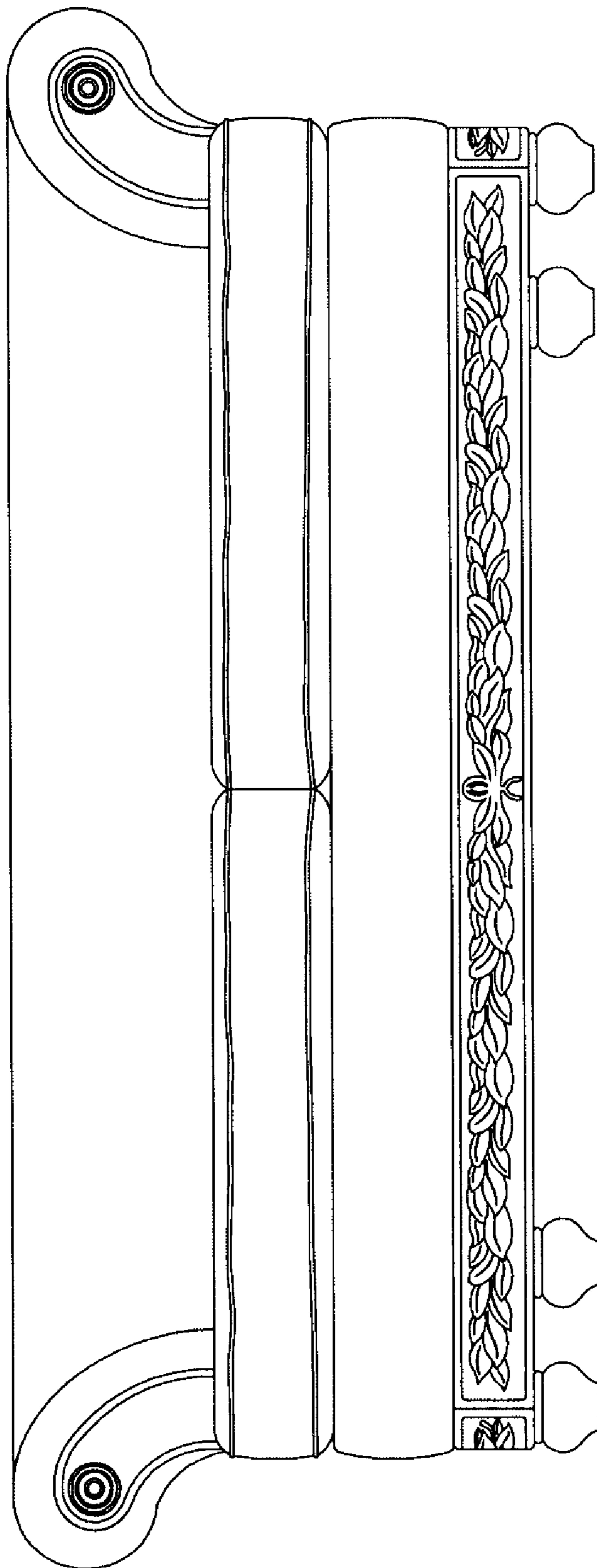


FIG. 2

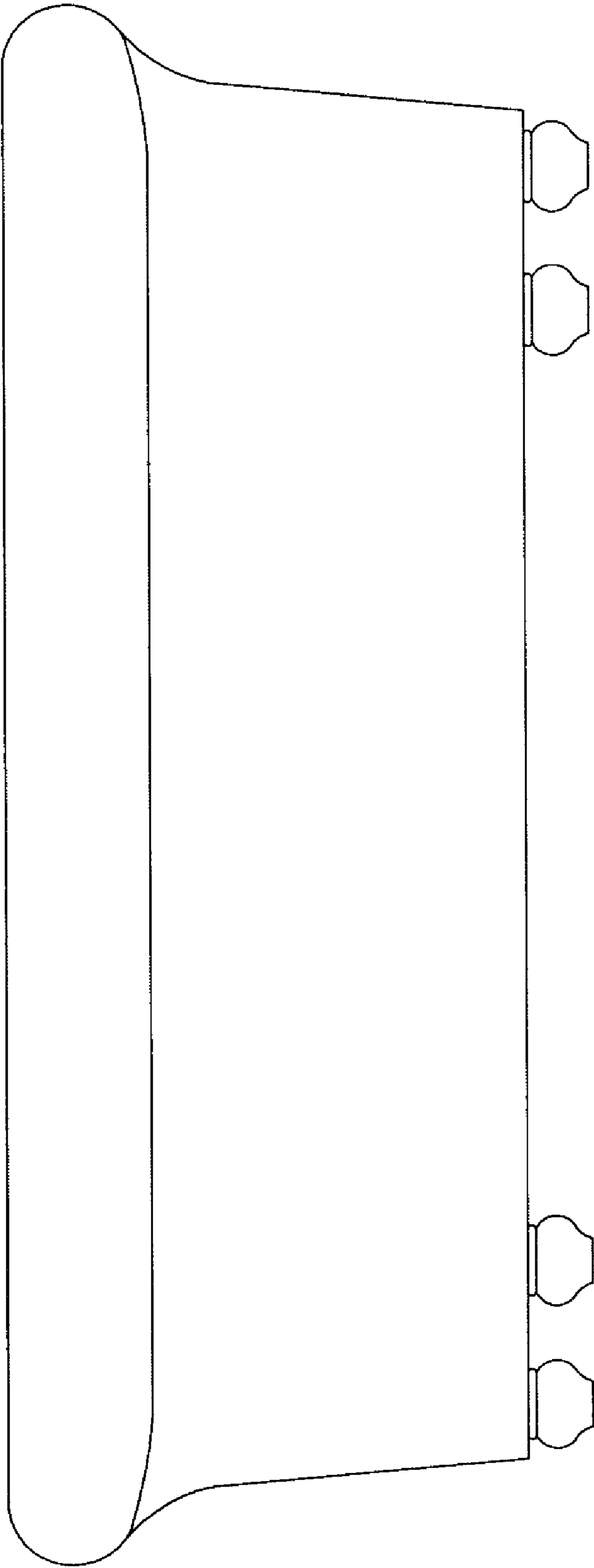


FIG.3

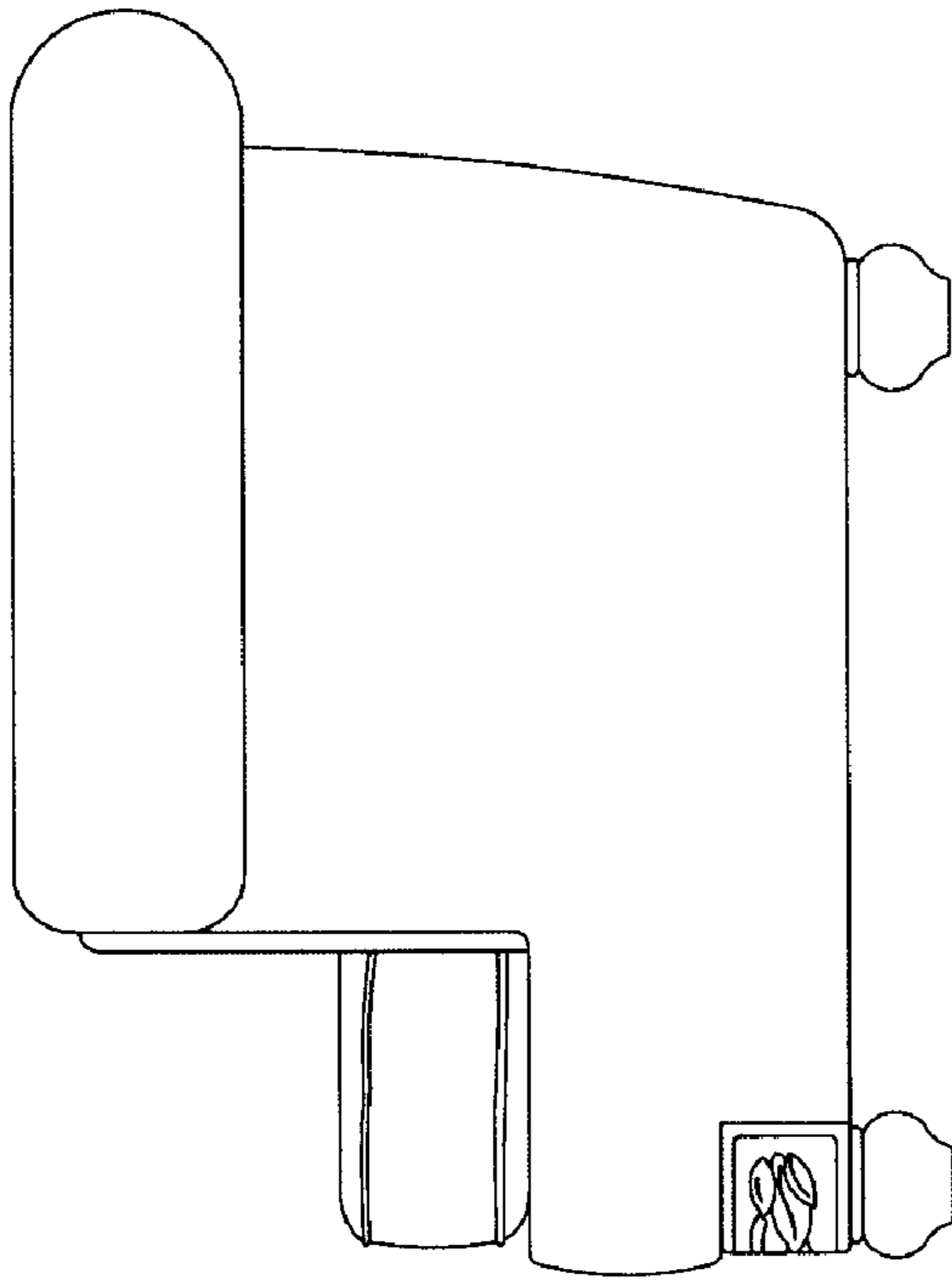


FIG.5

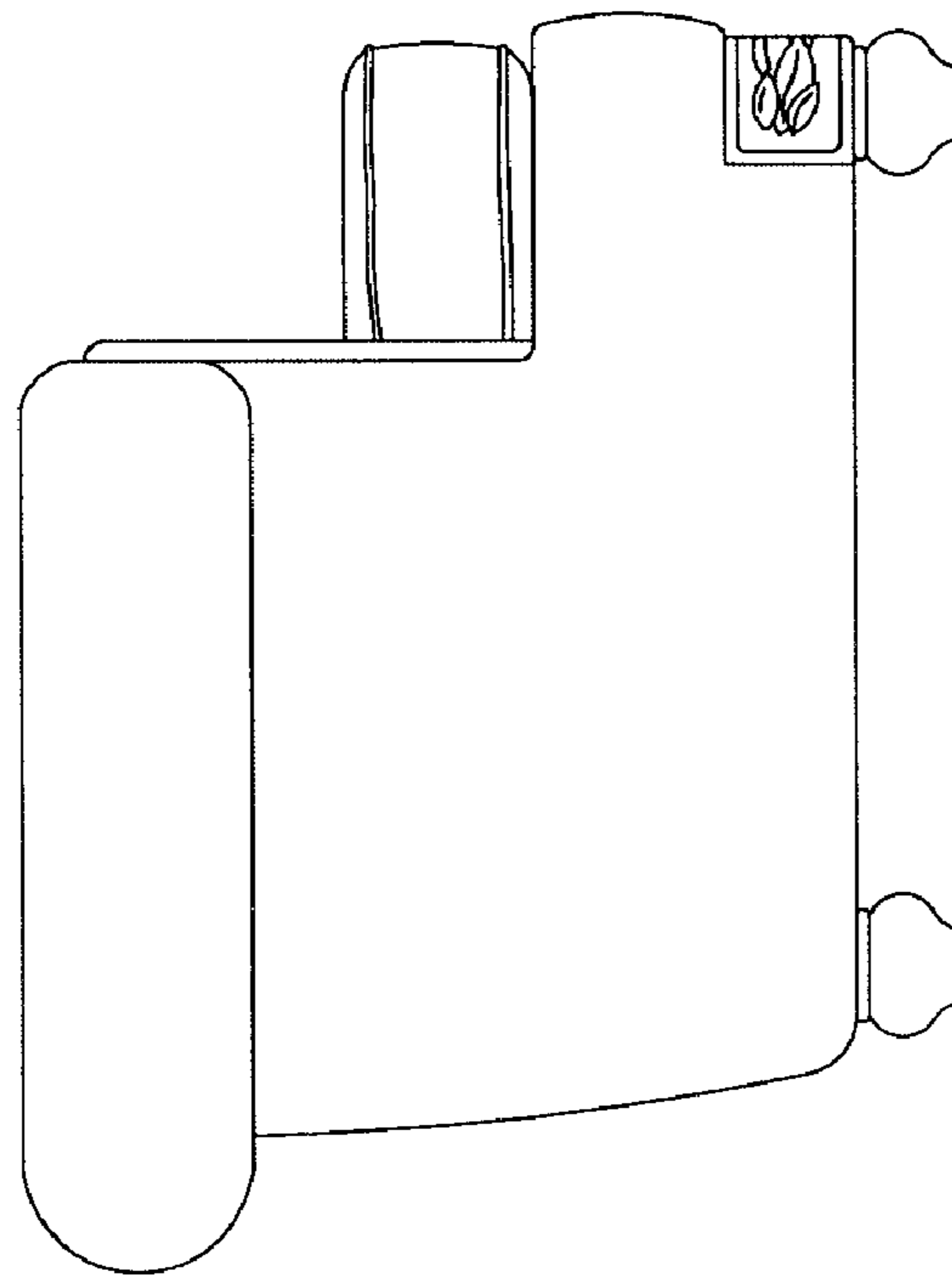


FIG.4

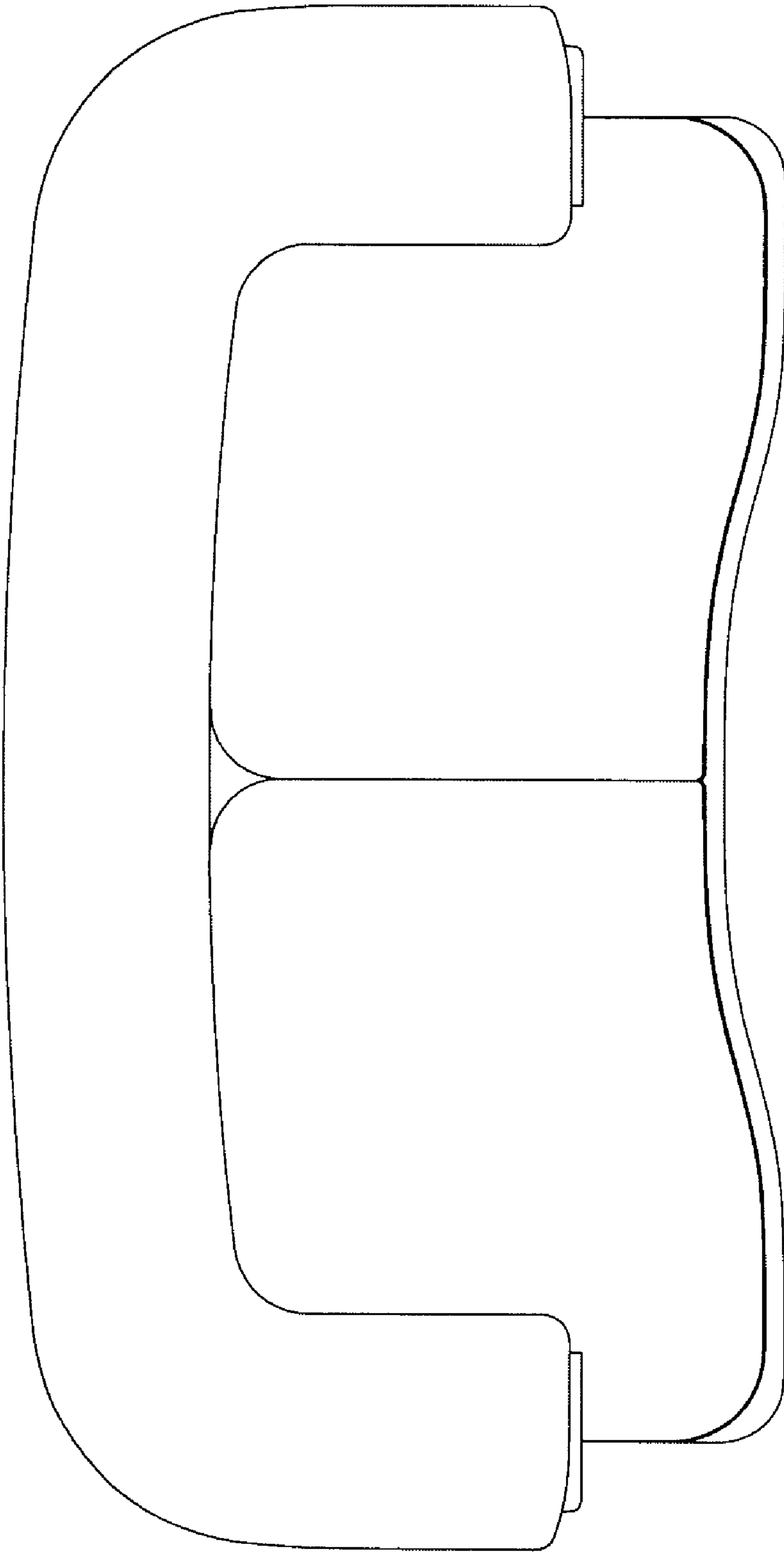


FIG.6

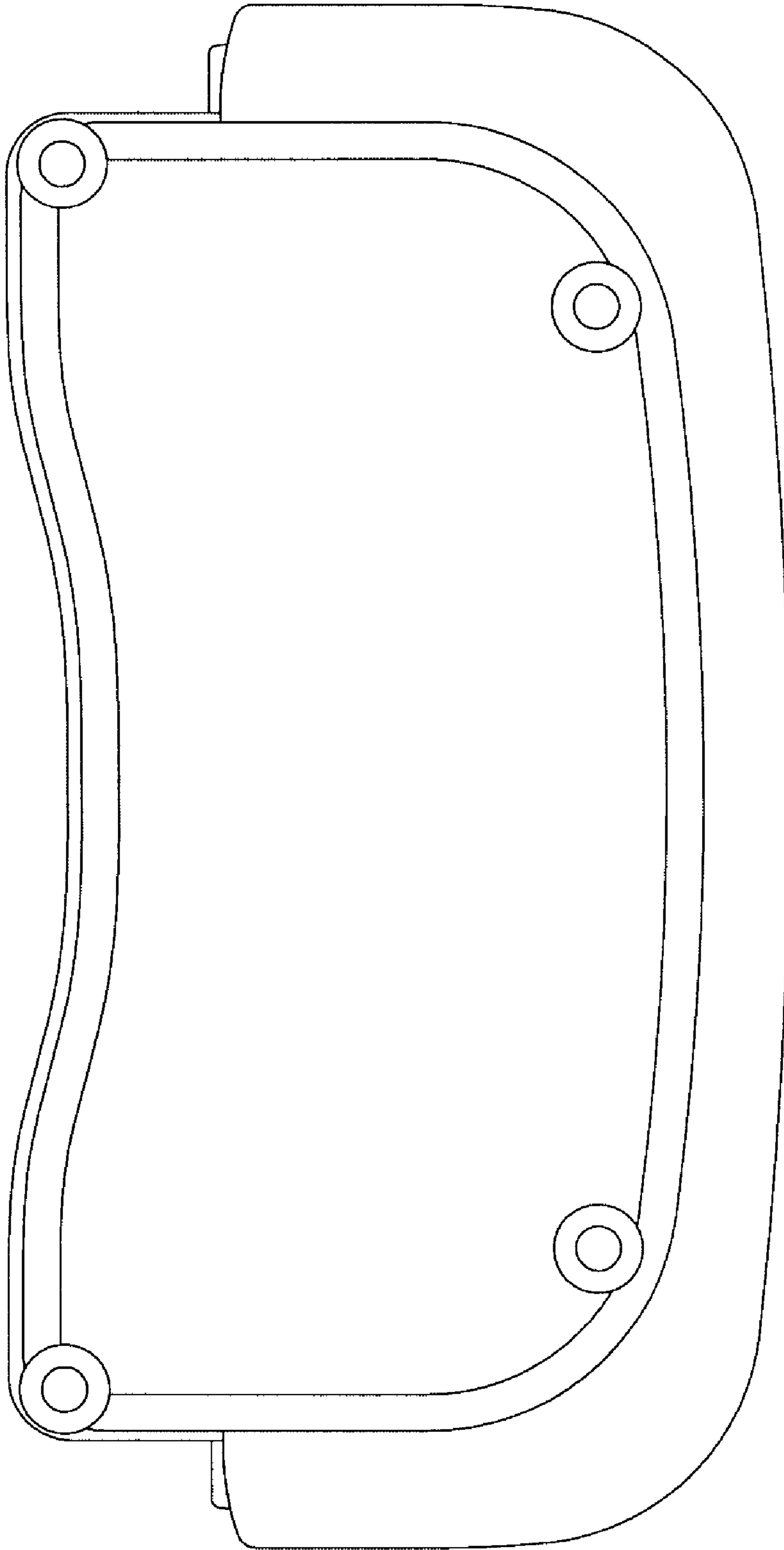


FIG.7