



US00D536895S

(12) **United States Design Patent**
Kawamura

(10) **Patent No.:** **US D536,895 S**

(45) **Date of Patent:** **** Feb. 20, 2007**

(54) **MESSAGE CHAIR**

(75) Inventor: **Noritsugu Kawamura**, Osaka (JP)

(73) Assignee: **Family Co., Ltd.**, Osaka (JP)

(**) Term: **14 Years**

(21) Appl. No.: **29/251,906**

(22) Filed: **Jan. 13, 2006**

(30) **Foreign Application Priority Data**

Jul. 15, 2005 (JP) 2005-020861

(51) **LOC (8) Cl.** **06-01**

(52) **U.S. Cl.** **D6/367**

(58) **Field of Classification Search** D6/334-336,
D6/360, 361, 367, 371, 373, 379, 492, 500-502;
297/68, 271.1, 271.2, 271.3, 411.45, 423.19,
297/423.3, 353, 354.1, 440.1; 601/49, 57-59,
601/97-99, 102, 115, 116, 148, 149

See application file for complete search history.

(56) **References Cited**

U.S. PATENT DOCUMENTS

D169,245 S	*	4/1953	Duke	D6/361
D336,167 S	*	6/1993	Yamasaki et al.	D6/367
D365,217 S	*	12/1995	Yamauchi et al.	D6/360
D372,800 S	*	8/1996	Yamasaki	D6/367
D372,801 S	*	8/1996	Fujimoto et al.	D6/367
D372,802 S	*	8/1996	Fujimoto et al.	D6/367
D374,560 S	*	10/1996	Fujimoto et al.	D6/367
5,792,082 A	*	8/1998	Yamanaka et al.	601/148
D418,990 S	*	1/2000	Oguri et al.	D6/367
D433,243 S	*	11/2000	Garcia	D6/360
D471,372 S	*	3/2003	Inada et al.	D6/367
D491,375 S	*	6/2004	Yuyama	D6/335
D502,607 S	*	3/2005	Miyake et al.	D6/335
D502,817 S	*	3/2005	Inada et al.	D6/367
D503,048 S	*	3/2005	Inada et al.	D6/367
D508,617 S	*	8/2005	Potter	D6/367
D517,337 S	*	3/2006	Mori	D6/367
D517,338 S	*	3/2006	Inada et al.	D6/367
2005/0033204 A1	*	2/2005	Nakamura et al.	601/103
2005/0088028 A1	*	4/2005	Wan et al.	297/440.1
2005/0146176 A1	*	7/2005	Yoda et al.	297/217.1

2005/0288612 A1 * 12/2005 Suzuki 601/151
2006/0142676 A1 * 6/2006 Fujii et al. 601/98

* cited by examiner

Primary Examiner—Mimosa De

(74) *Attorney, Agent, or Firm*—Alleman Hall McCoy
Russell & Tuttle LLP

(57) **CLAIM**

The ornamental design for a massage chair, as shown and described.

DESCRIPTION

FIG. 1 is a left side view of a massage chair according to the present invention. The right side view is a mirror image of the left side view in this configuration.

FIG. 2 is a top view of the massage chair of FIG. 1.

FIG. 3 is a bottom view of the massage chair of FIG. 1.

FIG. 4 is a rear view of the massage chair of FIG. 1.

FIG. 5 is a front view of the massage chair of FIG. 1.

FIG. 6 is a left side view of the massage chair of FIG. 1, shown with airbags inflated.

FIG. 7 is a top view of the massage chair of FIG. 1, shown with airbags inflated.

FIG. 8 is a front view of the massage chair of FIG. 1, shown with airbags inflated.

FIG. 9 is a left side view of the massage chair of FIG. 1, shown with a backrest portion reclined and footrest portion raised.

FIG. 10 is a top view of the massage chair of FIG. 1, shown with the backrest portion reclined and footrest portion raised.

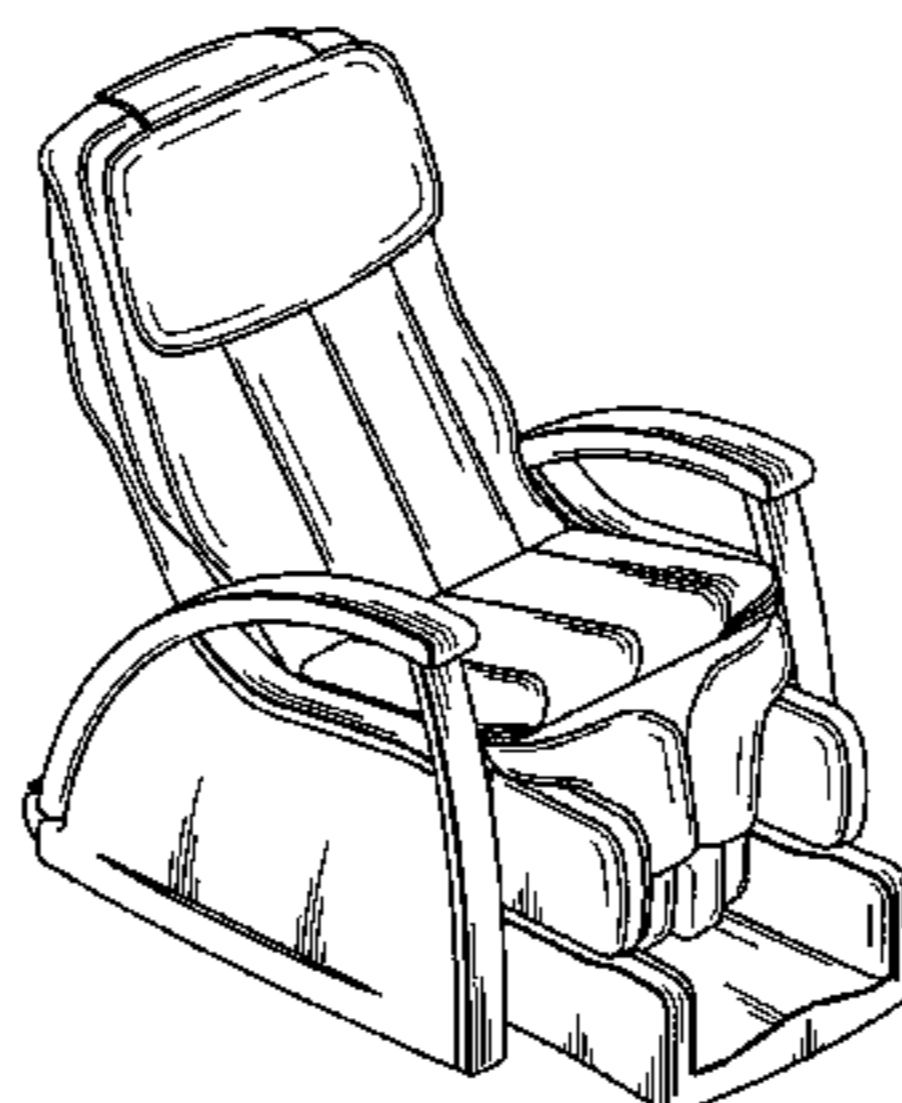
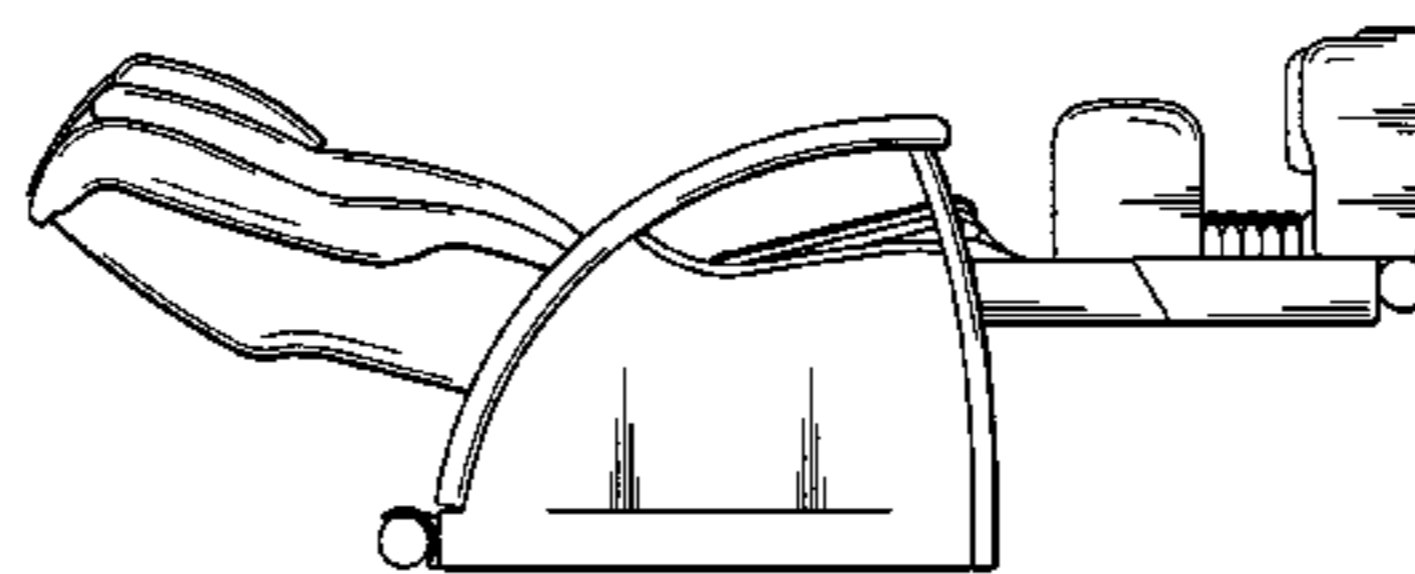
FIG. 11 is a bottom view of the massage chair of FIG. 1, shown with the backrest portion reclined and footrest portion raised.

FIG. 12 is a rear view of the massage chair of FIG. 1, shown with the backrest portion reclined and footrest portion raised.

FIG. 13 is a front view of the massage chair of FIG. 1, shown with the backrest portion reclined and footrest portion raised; and,

FIG. 14 is a perspective view of the massage chair of FIG. 1.

1 Claim, 7 Drawing Sheets



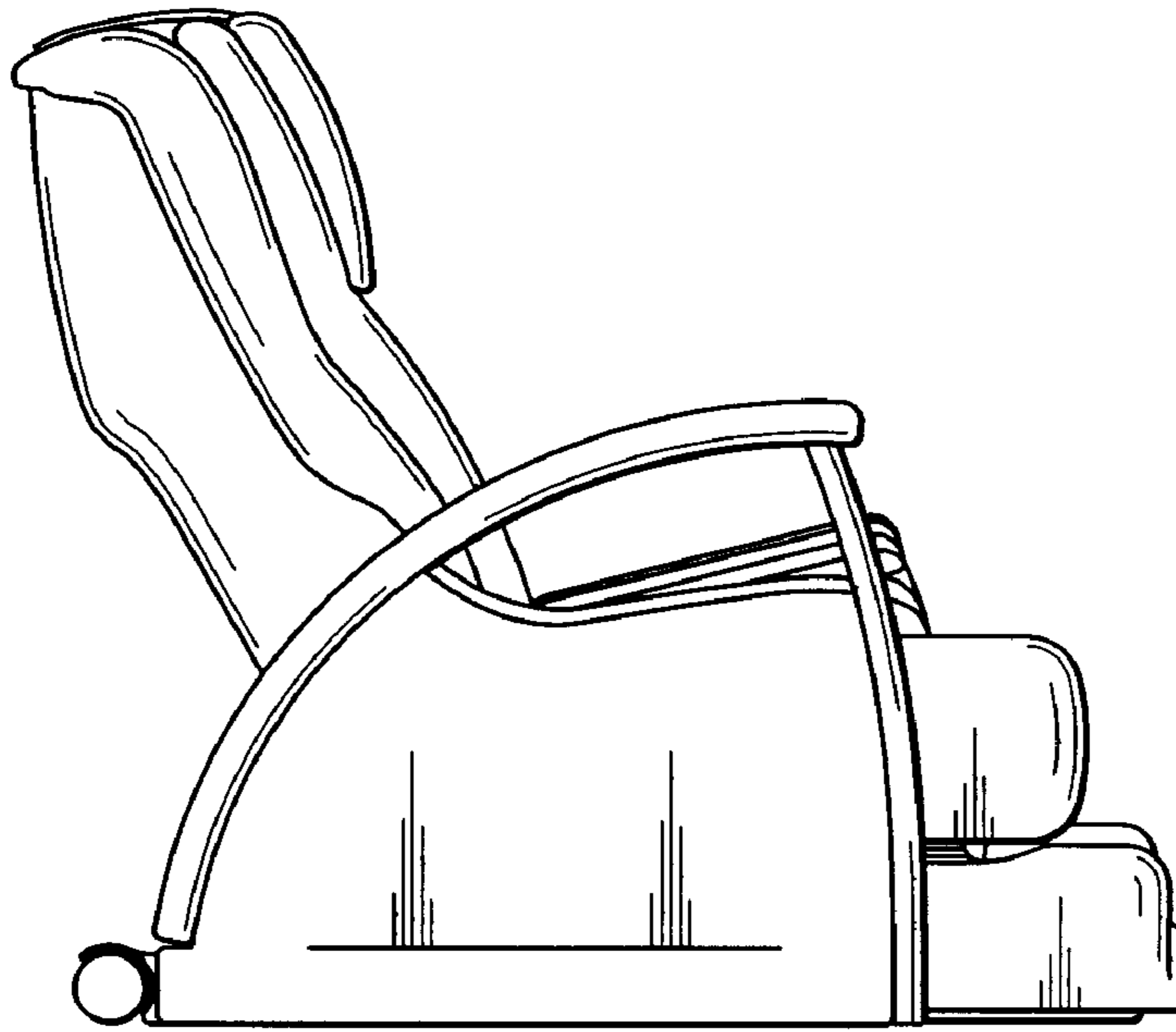


FIG. 1

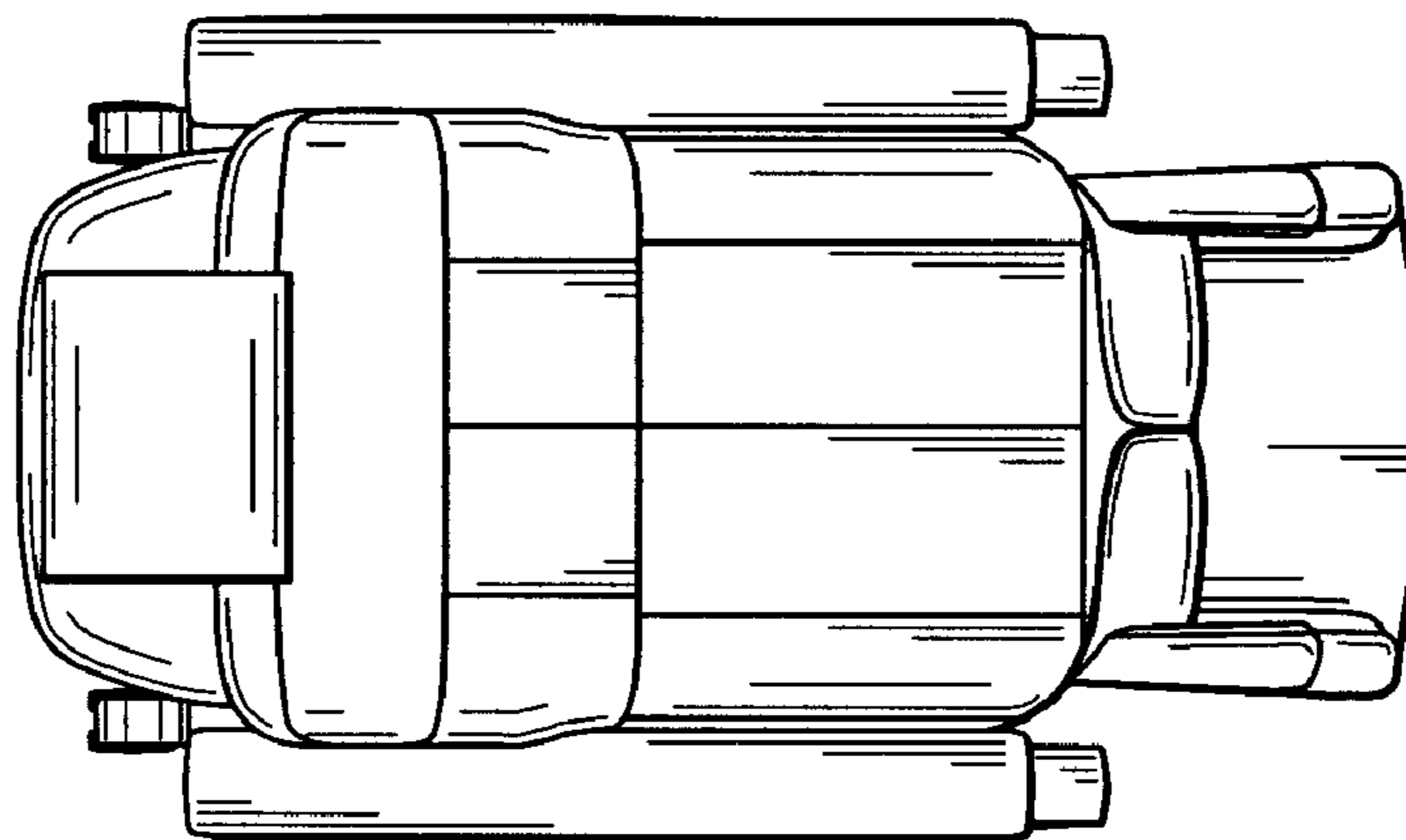


FIG. 2

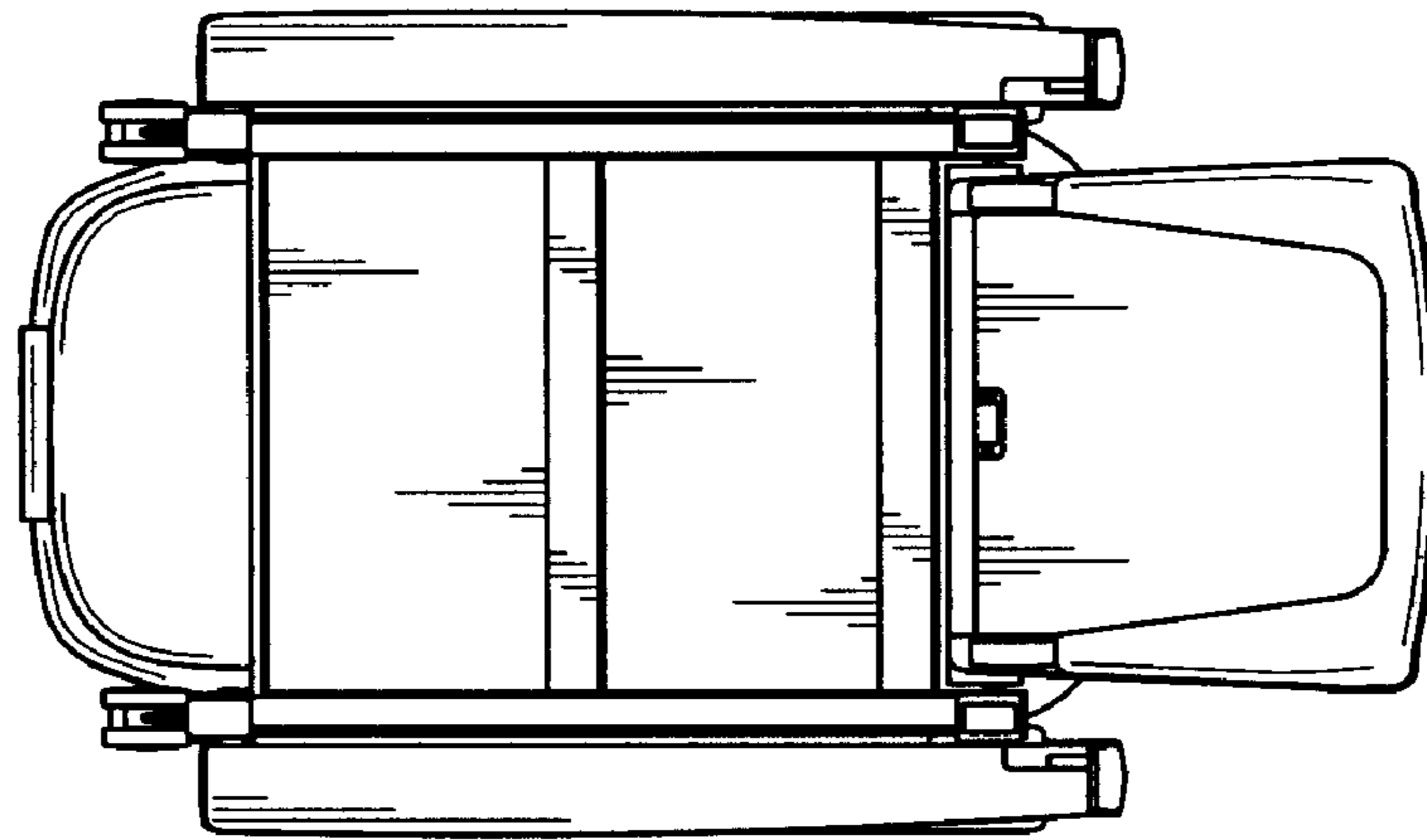


FIG. 3

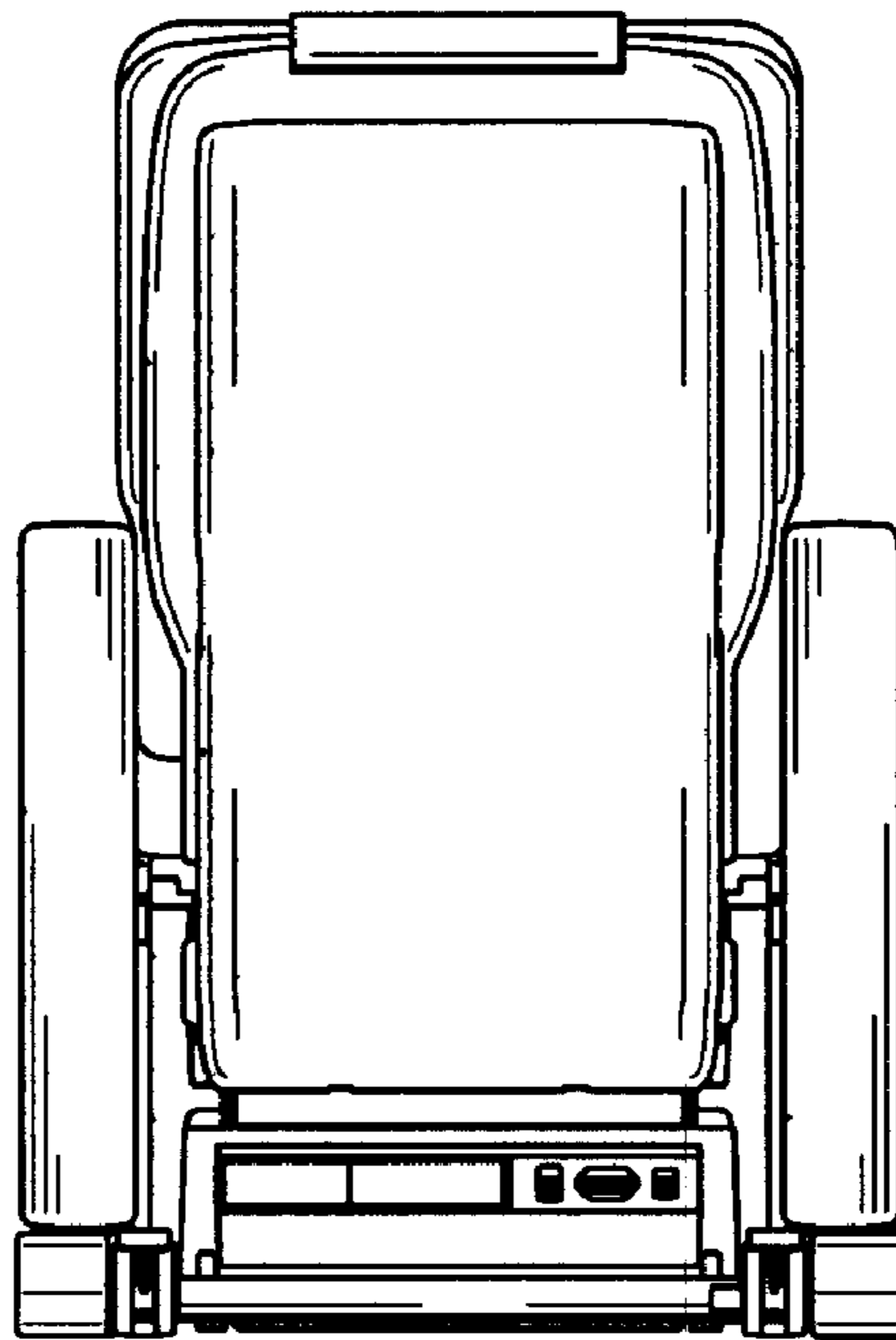


FIG. 4

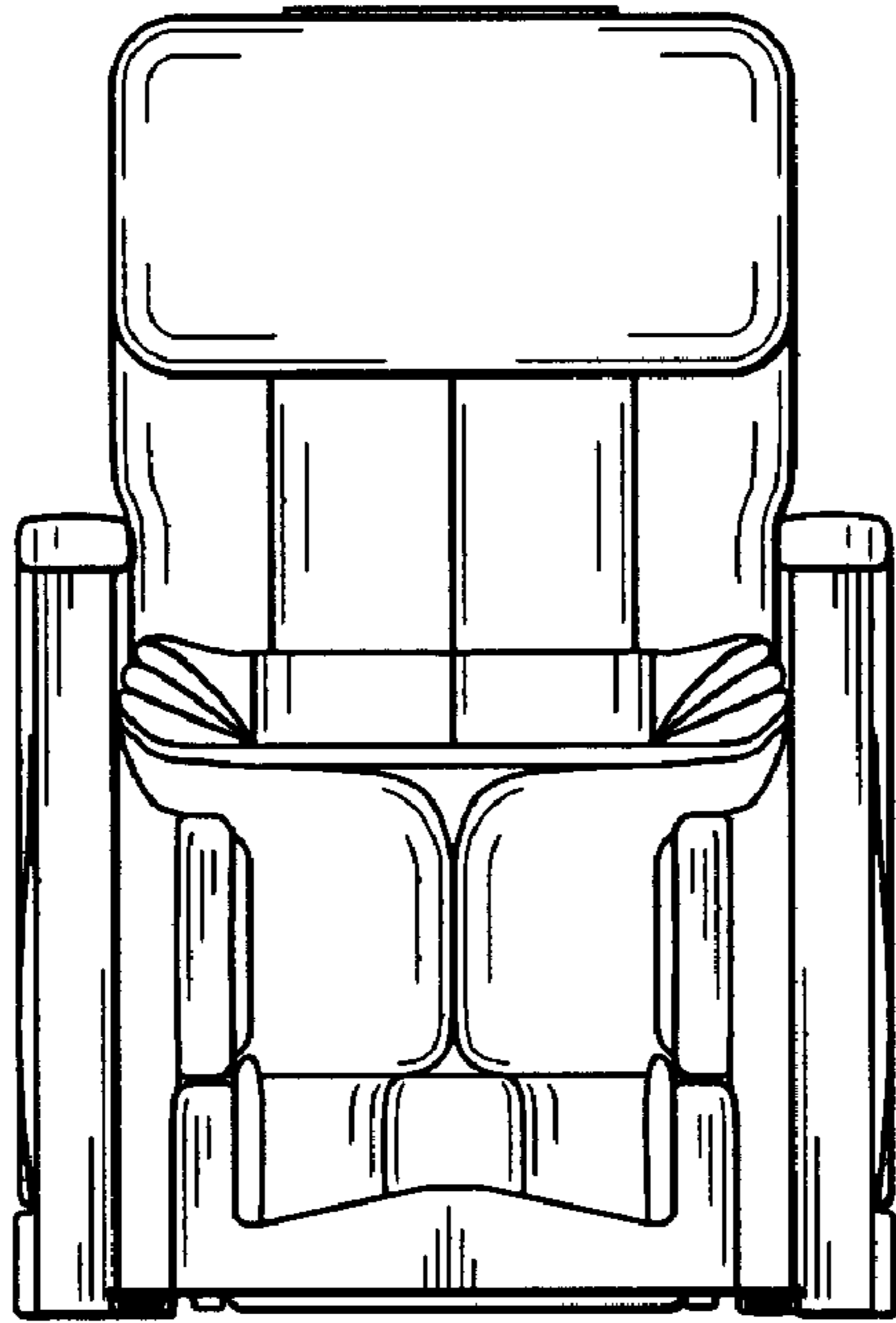


FIG. 5

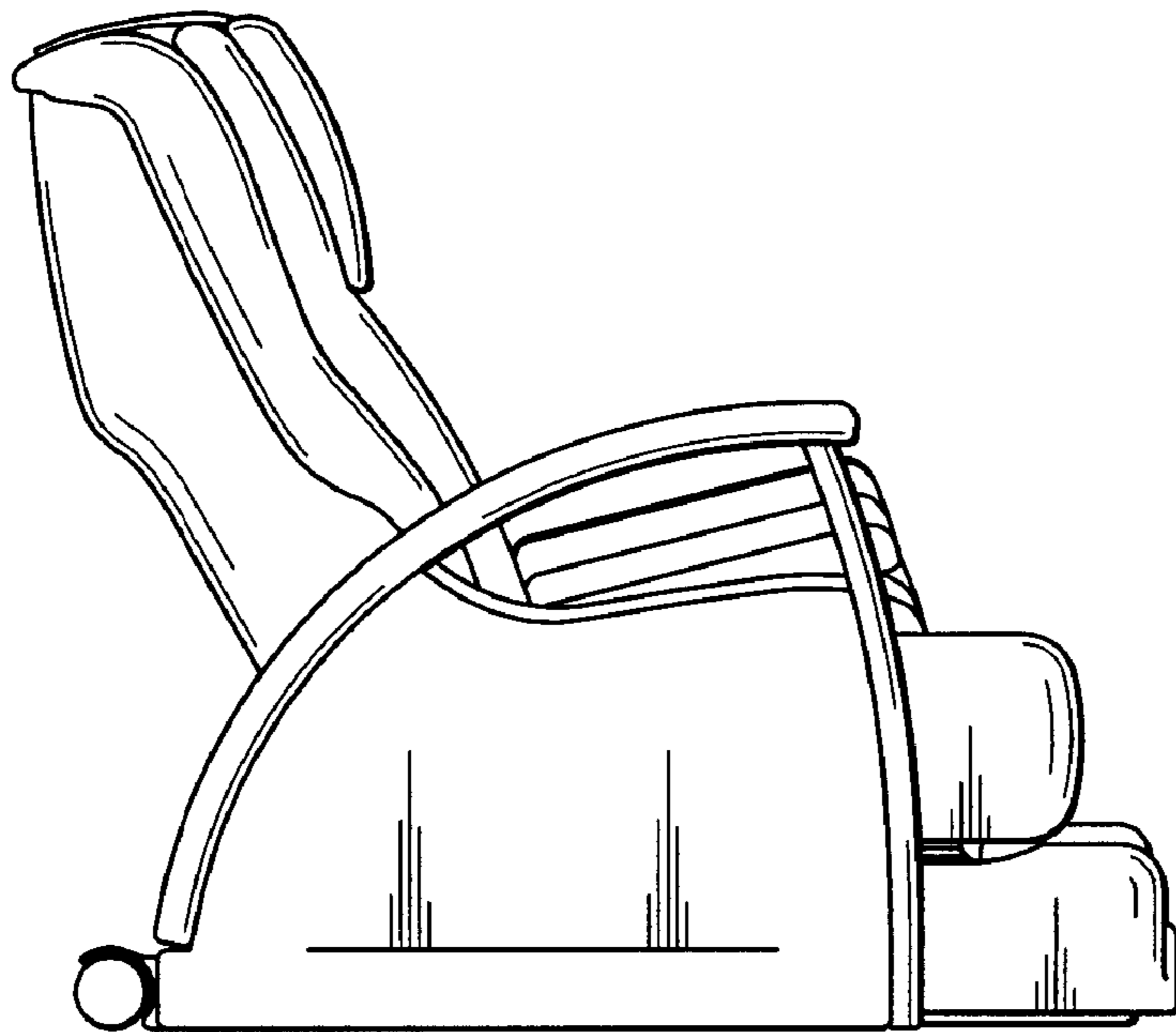


FIG. 6

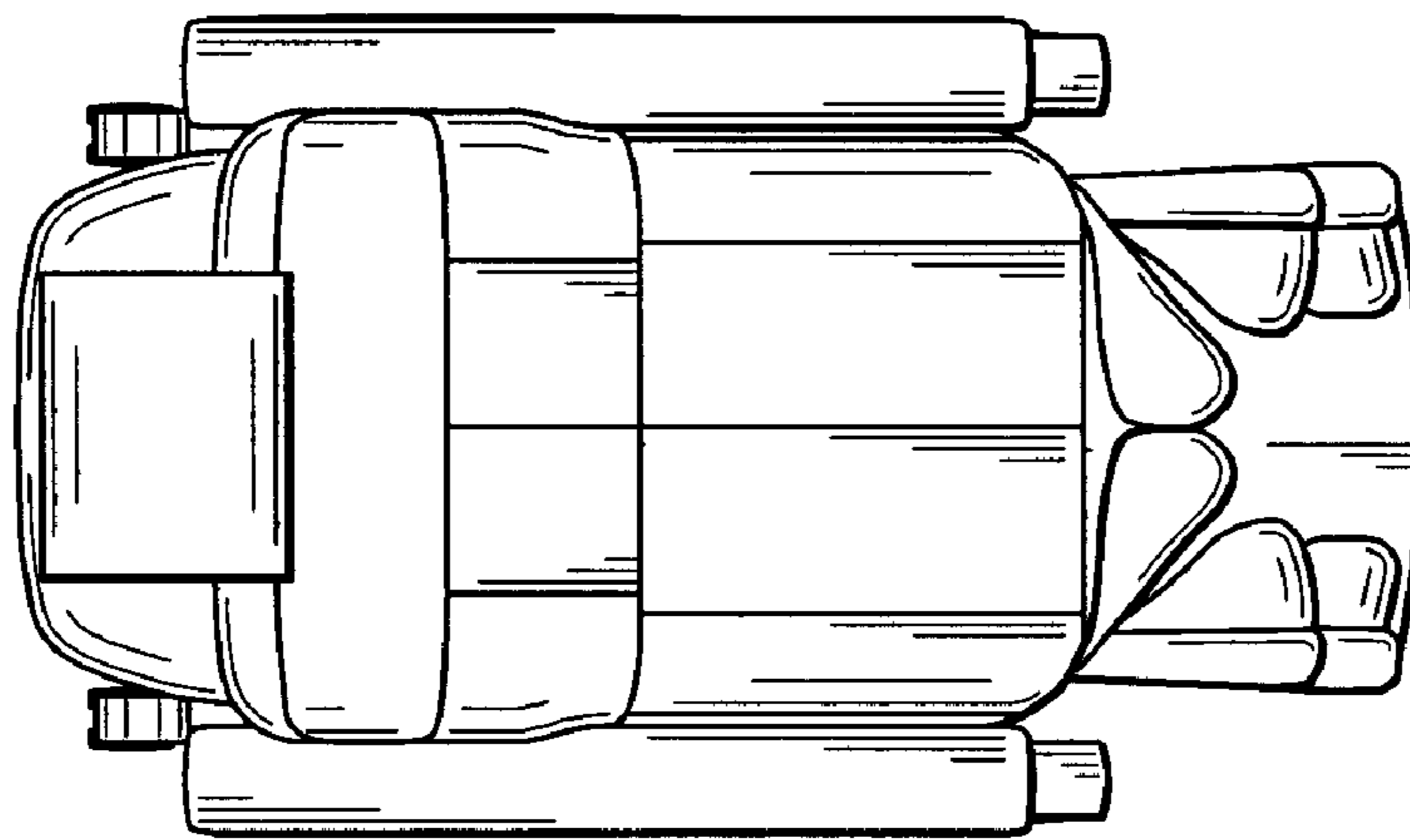


FIG. 7

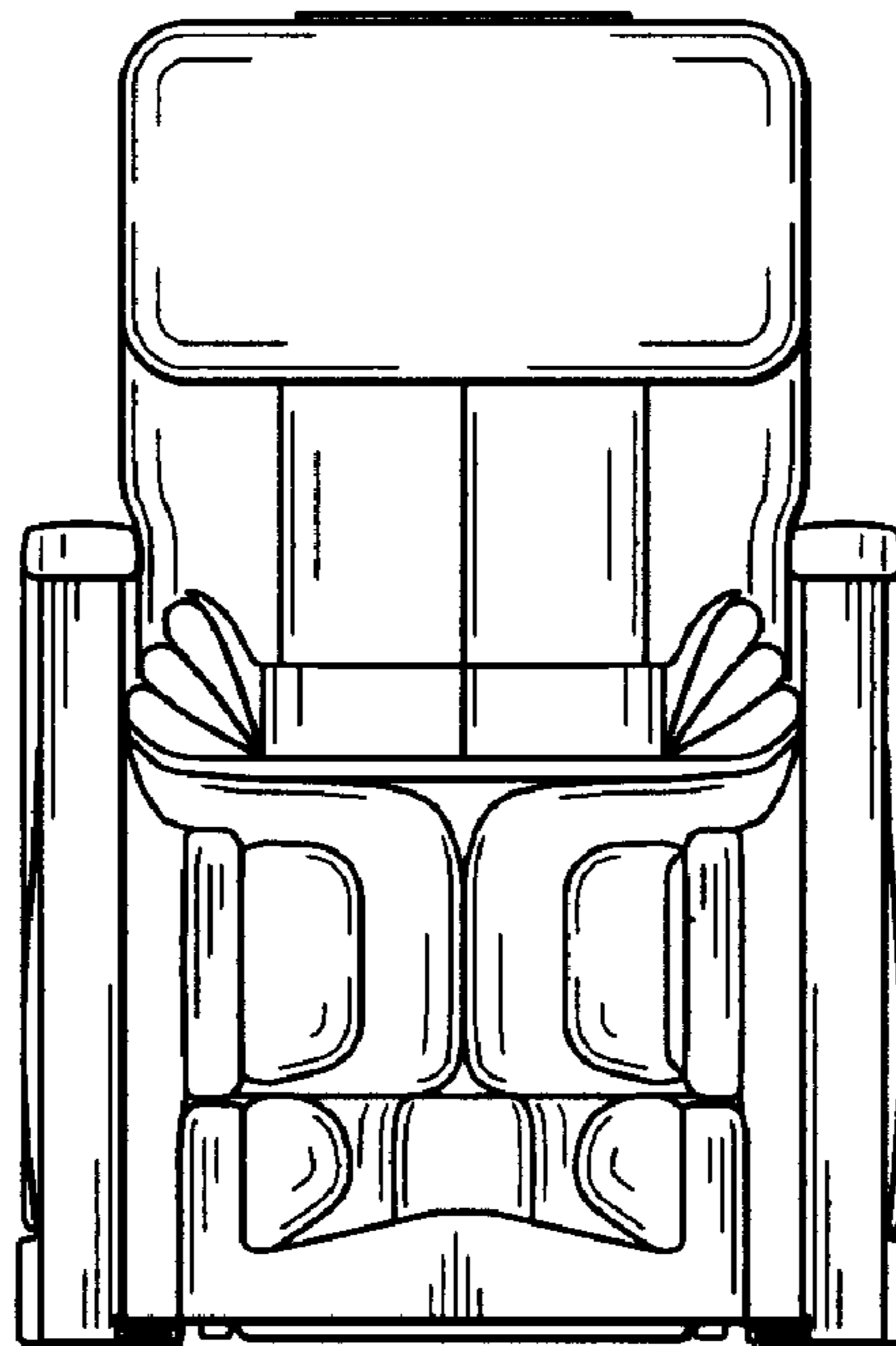


FIG. 8

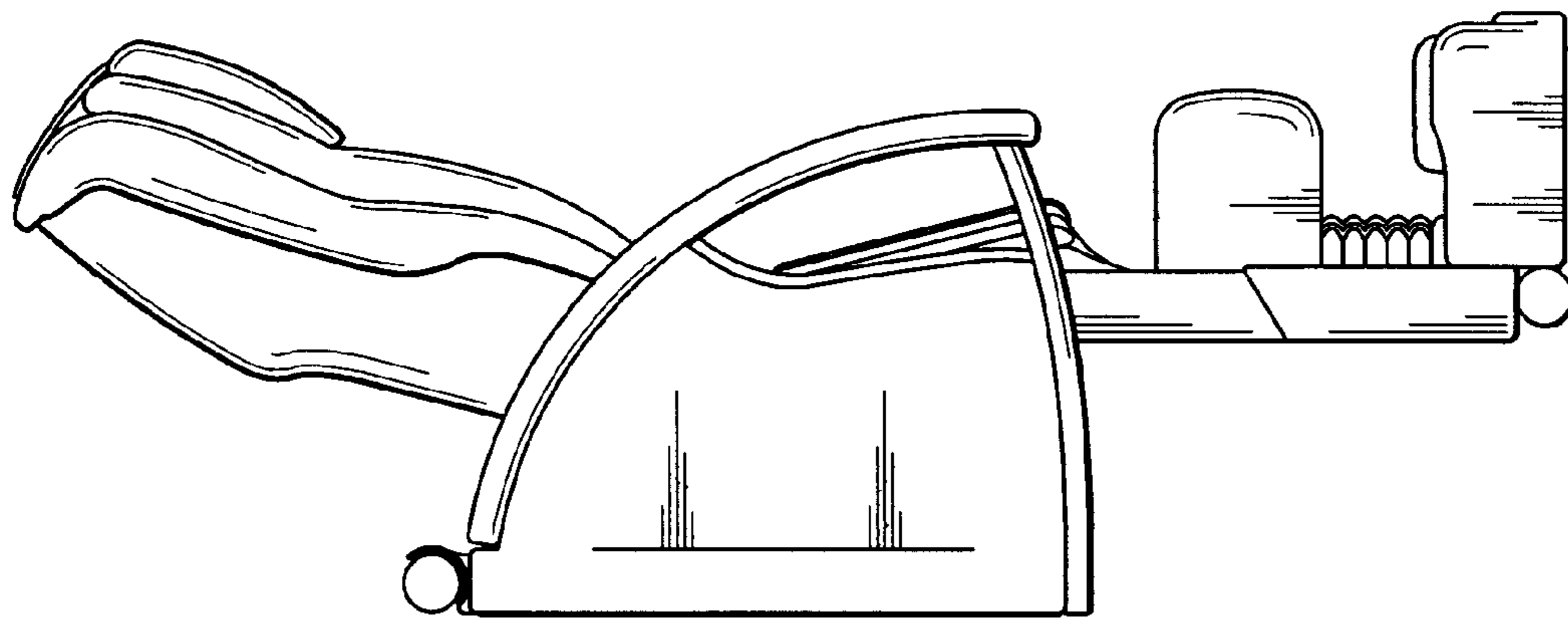


FIG. 9

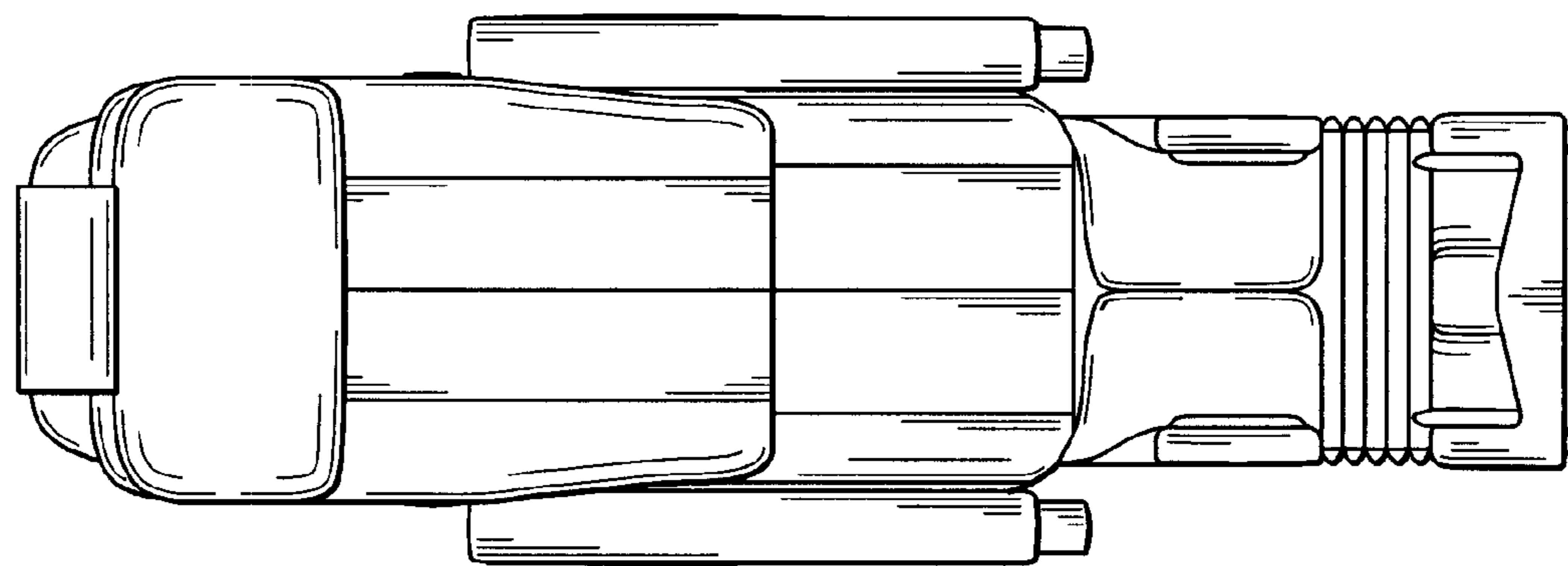


FIG. 10

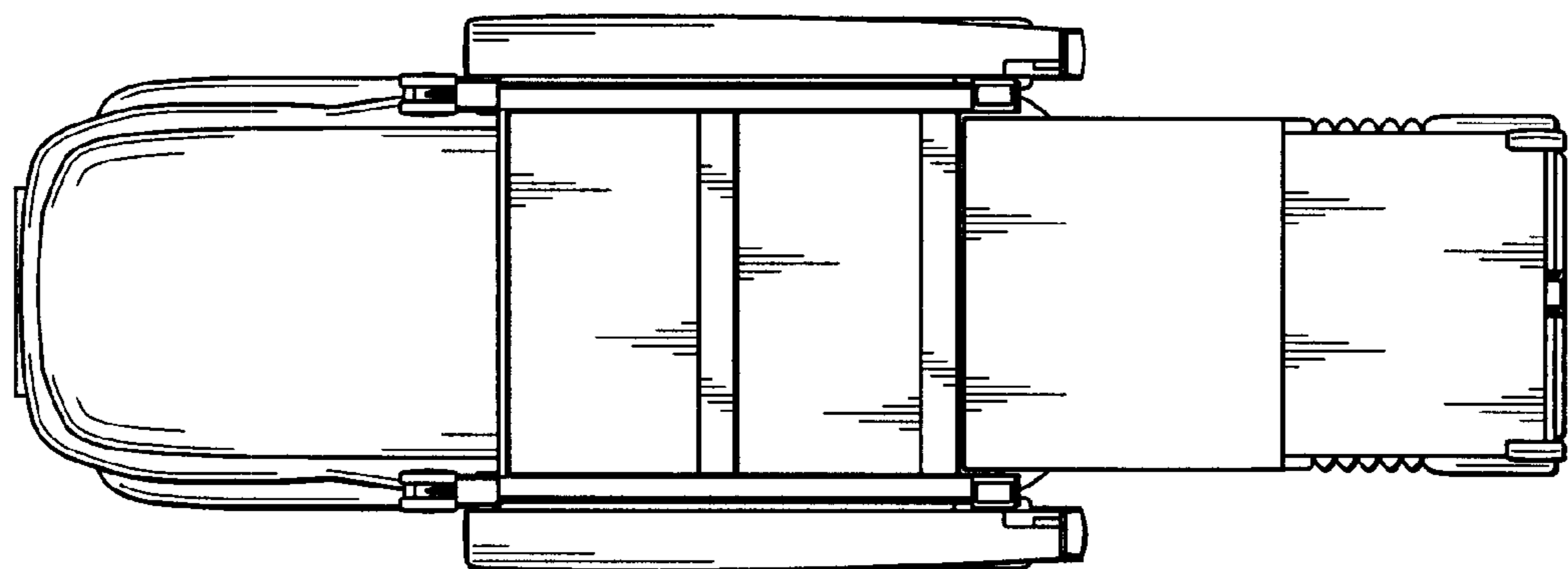


FIG. 11

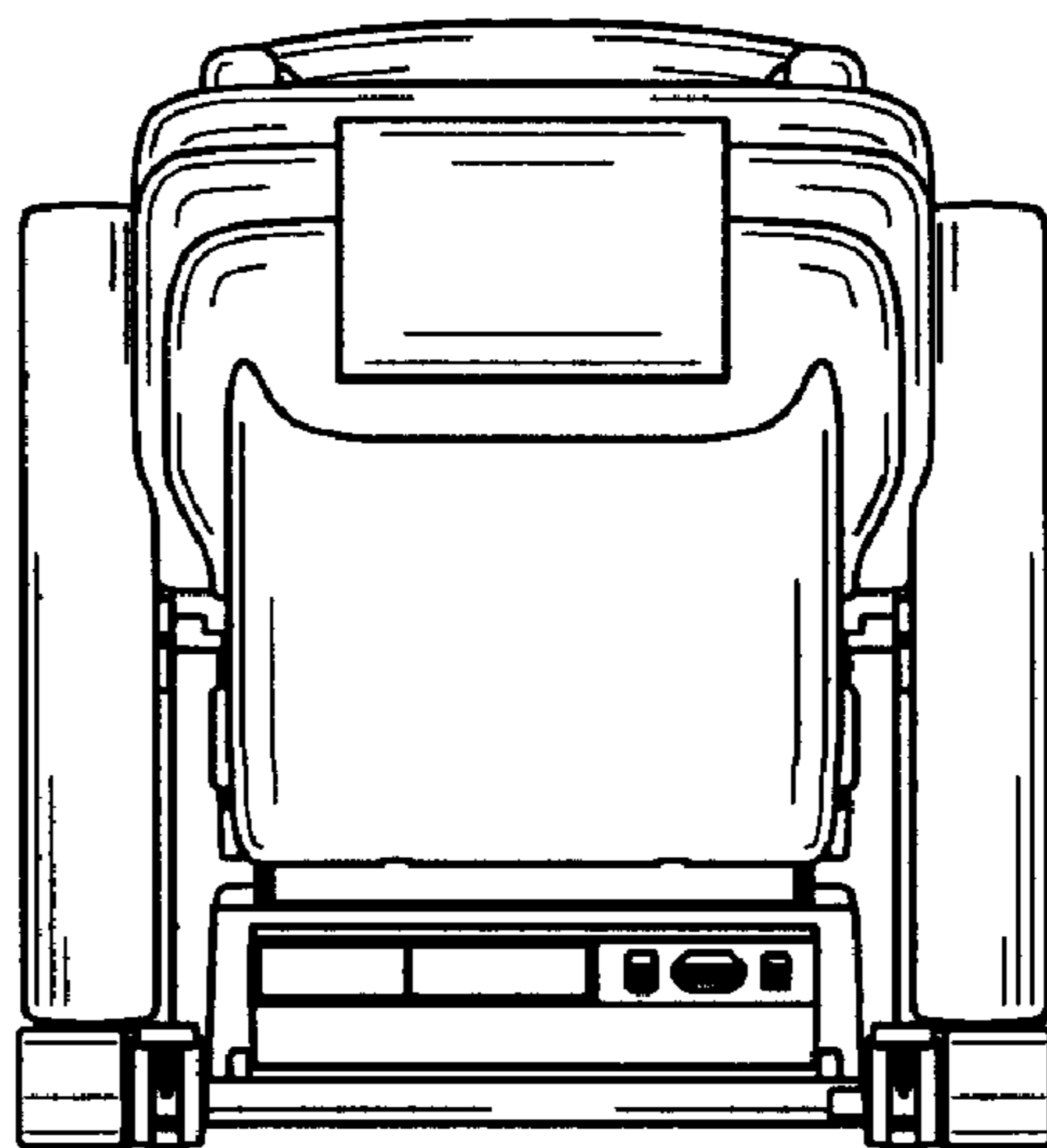


FIG. 12

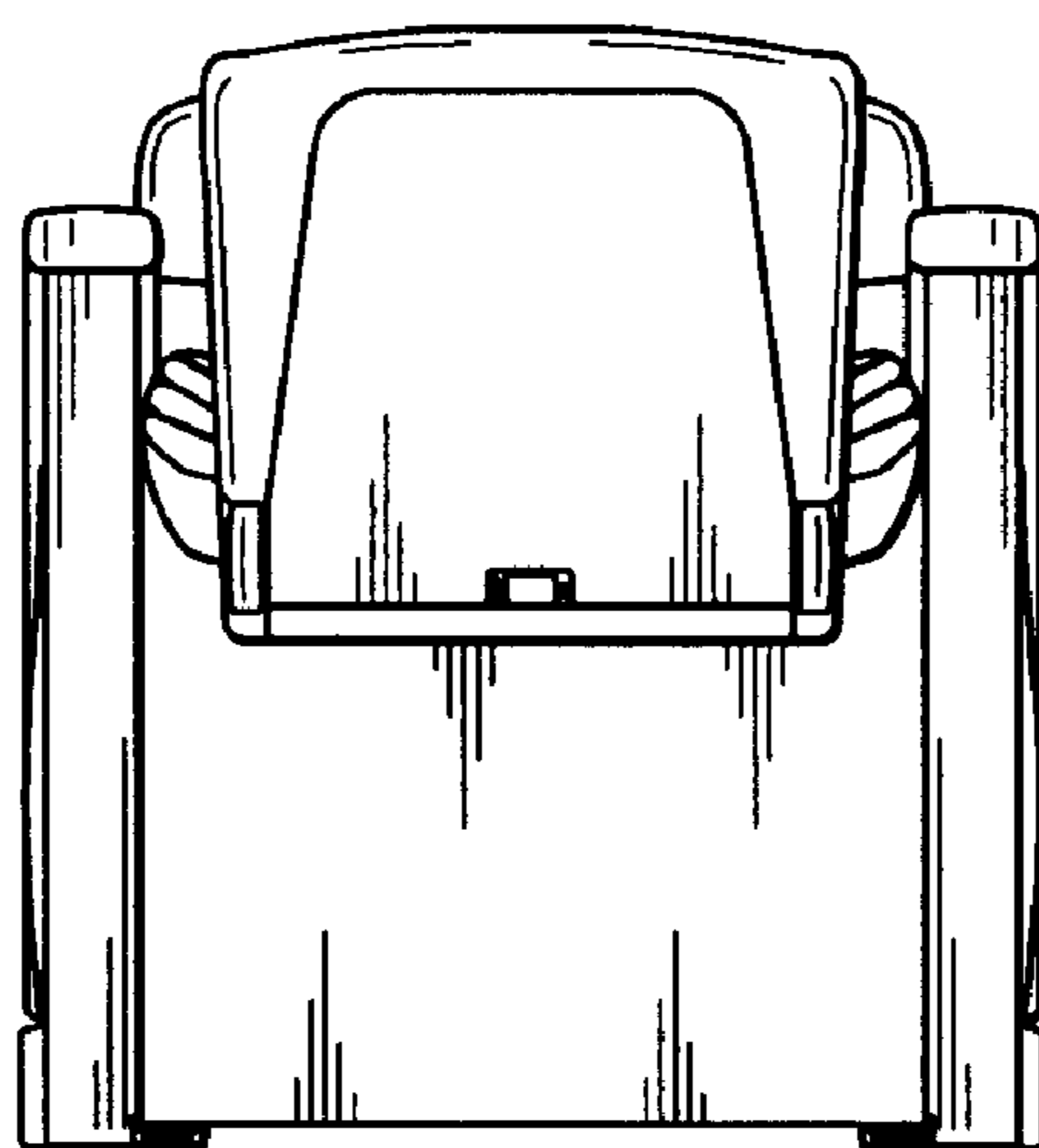


FIG. 13

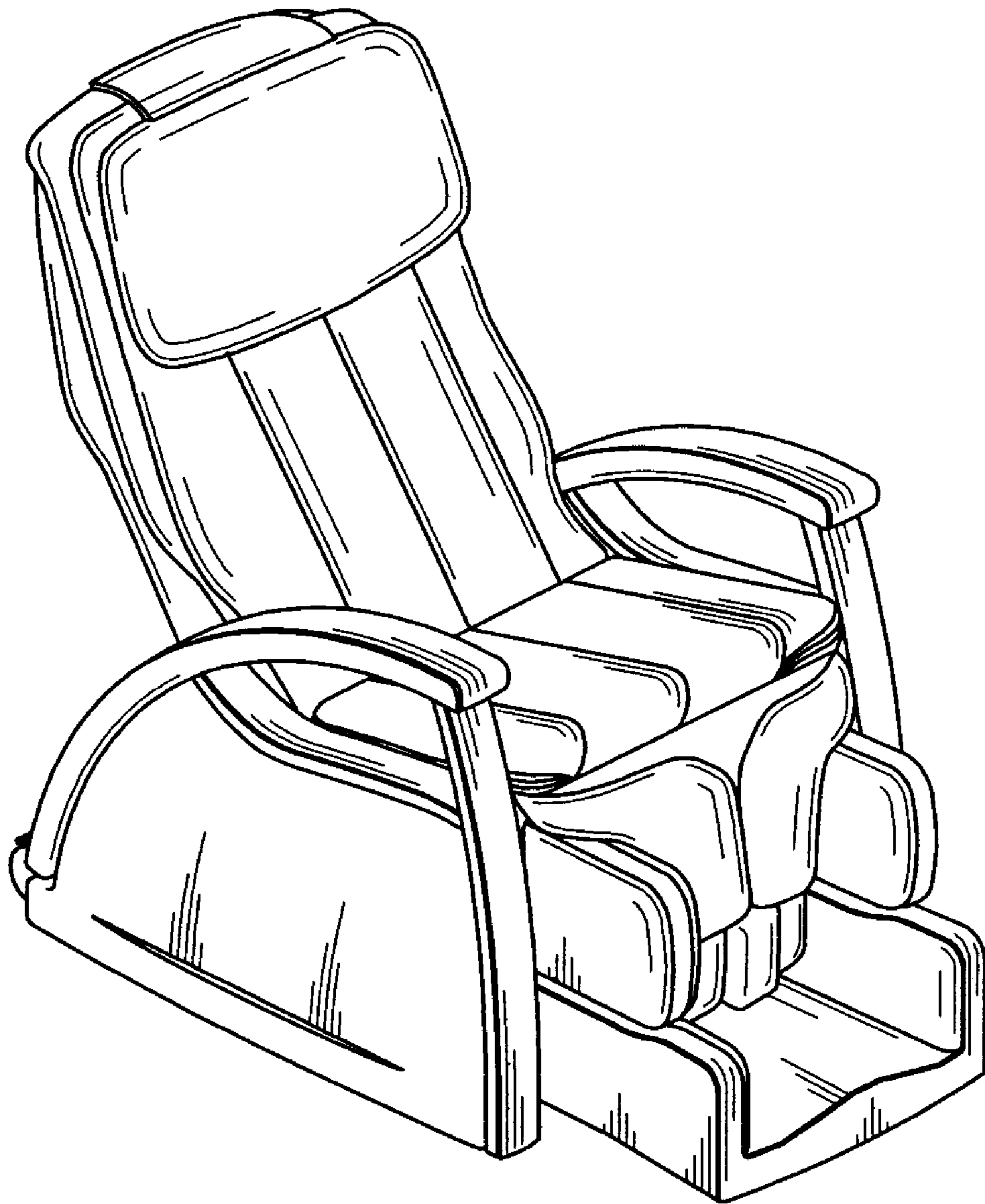


FIG. 14