



US00D536893S

(12) **United States Design Patent**
Lifeng

(10) **Patent No.:** **US D536,893 S**

(45) **Date of Patent:** **** Feb. 20, 2007**

(54) **MASSAGE CHAIR**

(75) Inventor: **Xu Lifeng**, Suzhou (CN)

(73) Assignee: **Interactive Health, LLC.**, Long Beach, CA (US)

(**) Term: **14 Years**

(21) Appl. No.: **29/240,165**

(22) Filed: **Oct. 7, 2005**

(51) **LOC (8) Cl.** **06-01**

(52) **U.S. Cl.** **D6/367**

(58) **Field of Classification Search** D6/334-336,
D6/360, 361, 367, 371, 373, 379, 500-502;
297/68, 271.1, 271.2, 271.3, 411.45, 423.19,
297/423.3, 353, 354.1; 601/49, 57-59, 97-99,
601/102, 115, 116, 148, 149

See application file for complete search history.

(56) **References Cited**

U.S. PATENT DOCUMENTS

D372,801 S	*	8/1996	Fujimoto et al.	D6/367
D372,802 S	*	8/1996	Fujimoto et al.	D6/367
D418,990 S	*	1/2000	Oguri et al.	D6/367
D471,372 S	*	3/2003	Inada et al.	D6/367
D476,492 S	*	7/2003	Yamamoto et al.	D6/335
D491,375 S	*	6/2004	Yuyama	D6/335
D502,607 S	*	3/2005	Miyake et al.	D6/335
D502,817 S	*	3/2005	Inada et al.	D6/367
D508,617 S	*	8/2005	Potter	D6/367
D517,337 S	*	3/2006	Mori	D6/367

2002/0068887 A1 * 6/2002 Kikumoto et al. 601/49
2005/0033204 A1 * 2/2005 Nakamura et al. 601/98

* cited by examiner

Primary Examiner—Mimosa De

(74) *Attorney, Agent, or Firm*—Christie Parker & Hale, LLP.

(57) **CLAIM**

The ornamental design for massage chair, as shown and described.

DESCRIPTION

FIG. 1 is a perspective view of the massage chair according to the present invention;

FIG. 2 is a side view of the massage chair according to the present invention;

FIG. 3 is a front of the massage chair according to the present invention;

FIG. 4 is another side view of the massage chair according to the present invention;

FIG. 5 is a rear view of the massage chair according to the present invention;

FIG. 6 is a top view of the massage chair according to the present invention; and,

FIG. 7 is a another perspective view of the massage chair according to the present invention.

The broken lines showing of a remote control with holder, connection member and other small member in front of one of the armrests are for illustrative purposes only and form no part of the claimed design.

1 Claim, 7 Drawing Sheets

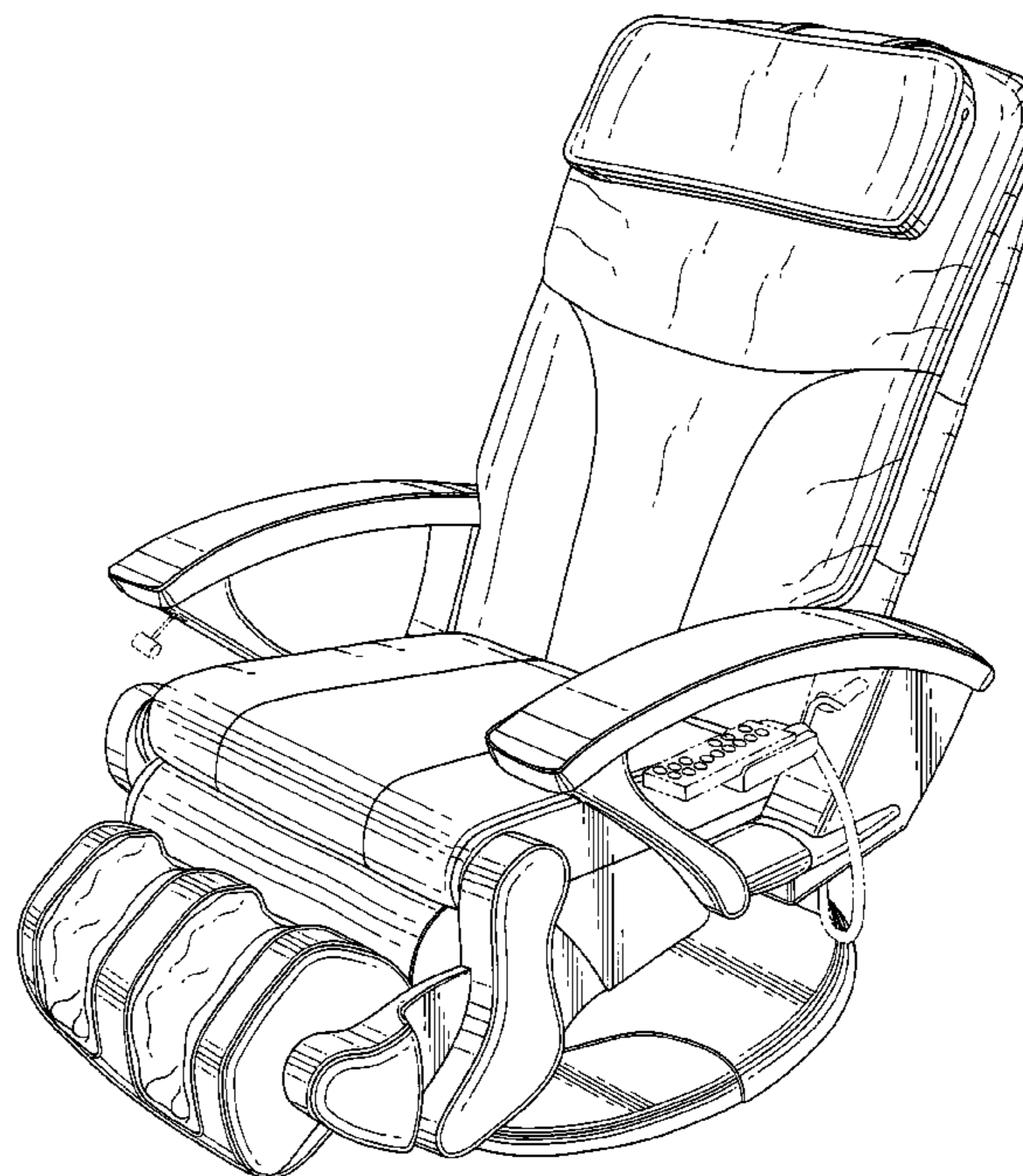
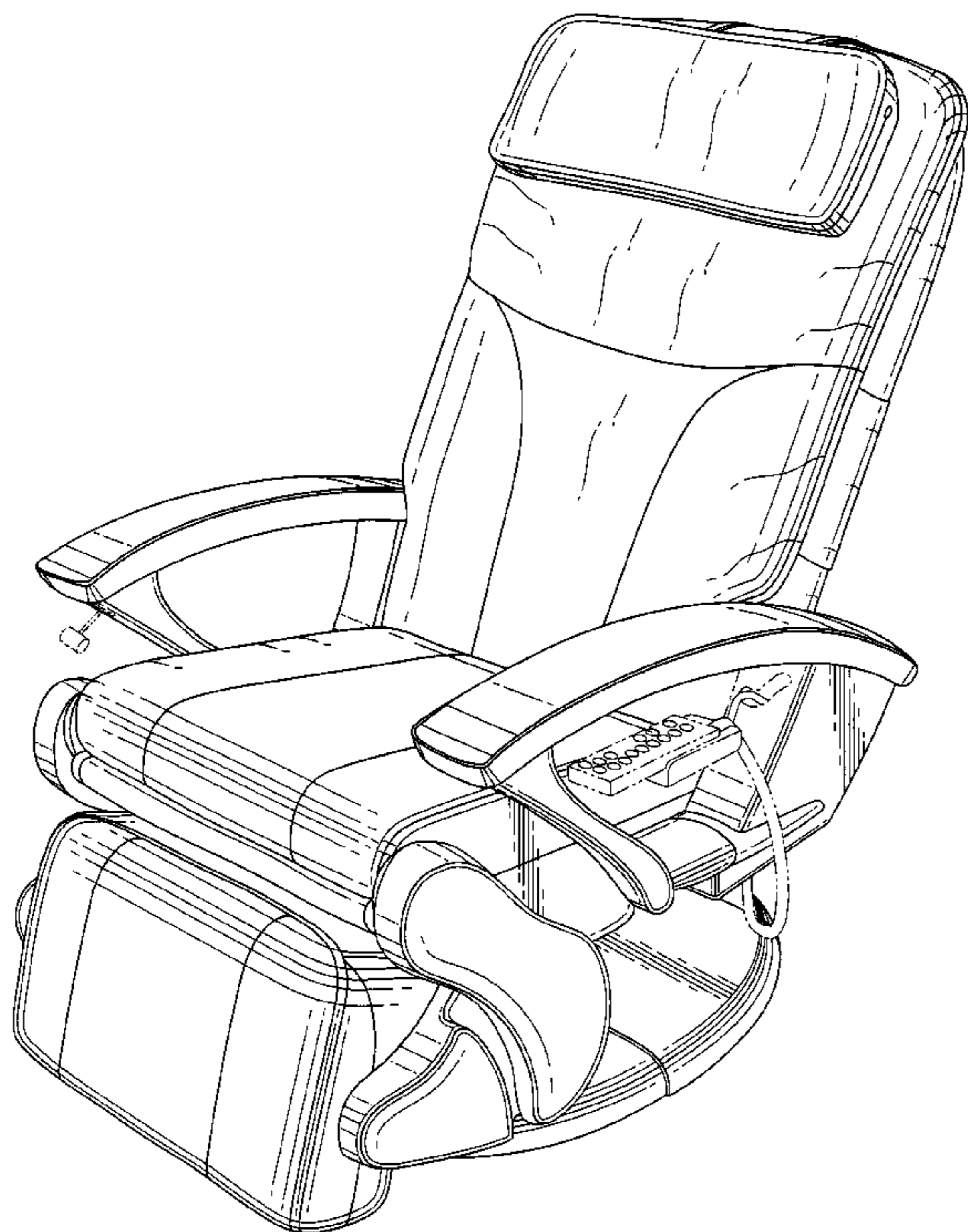


FIG. 1

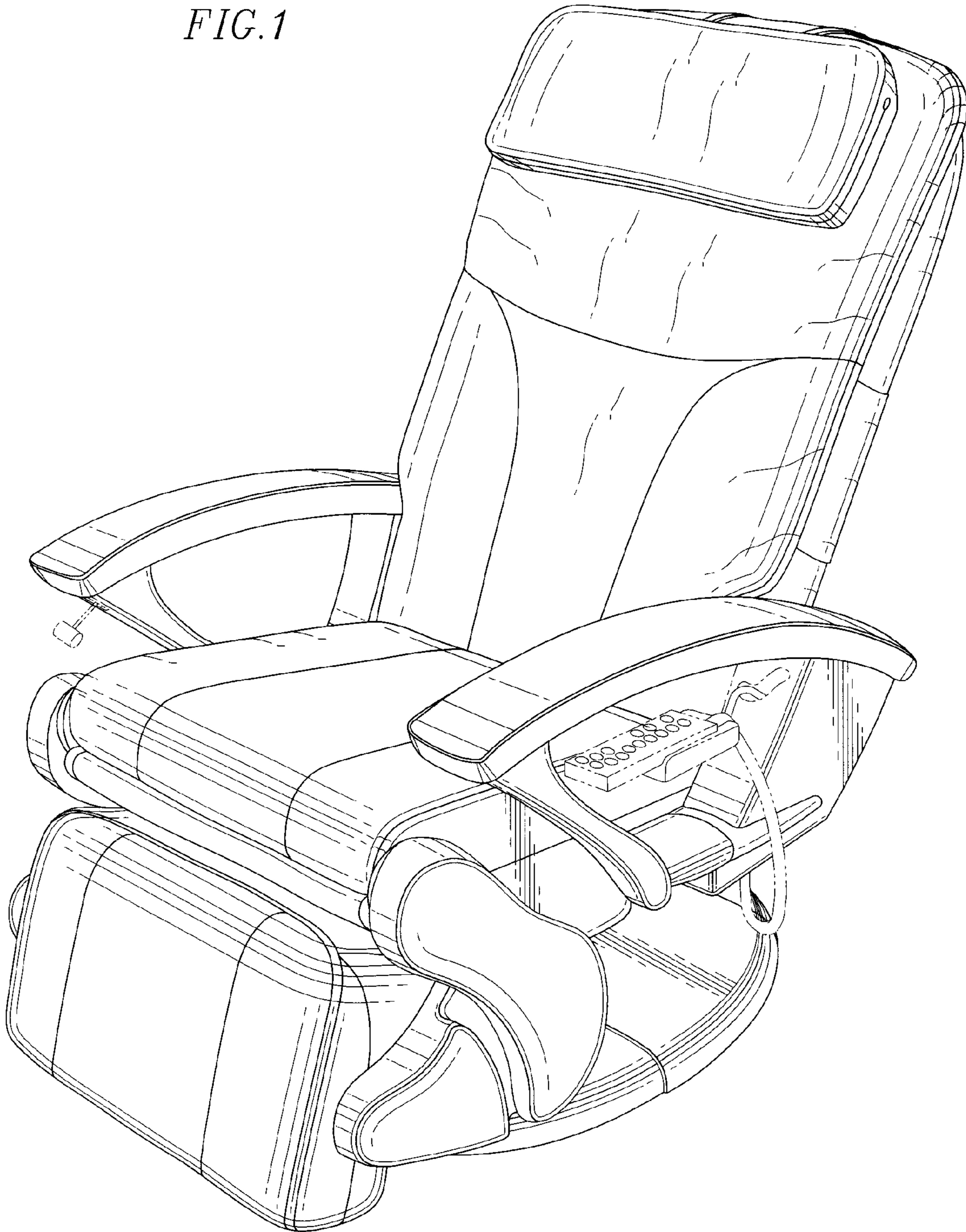


FIG. 2

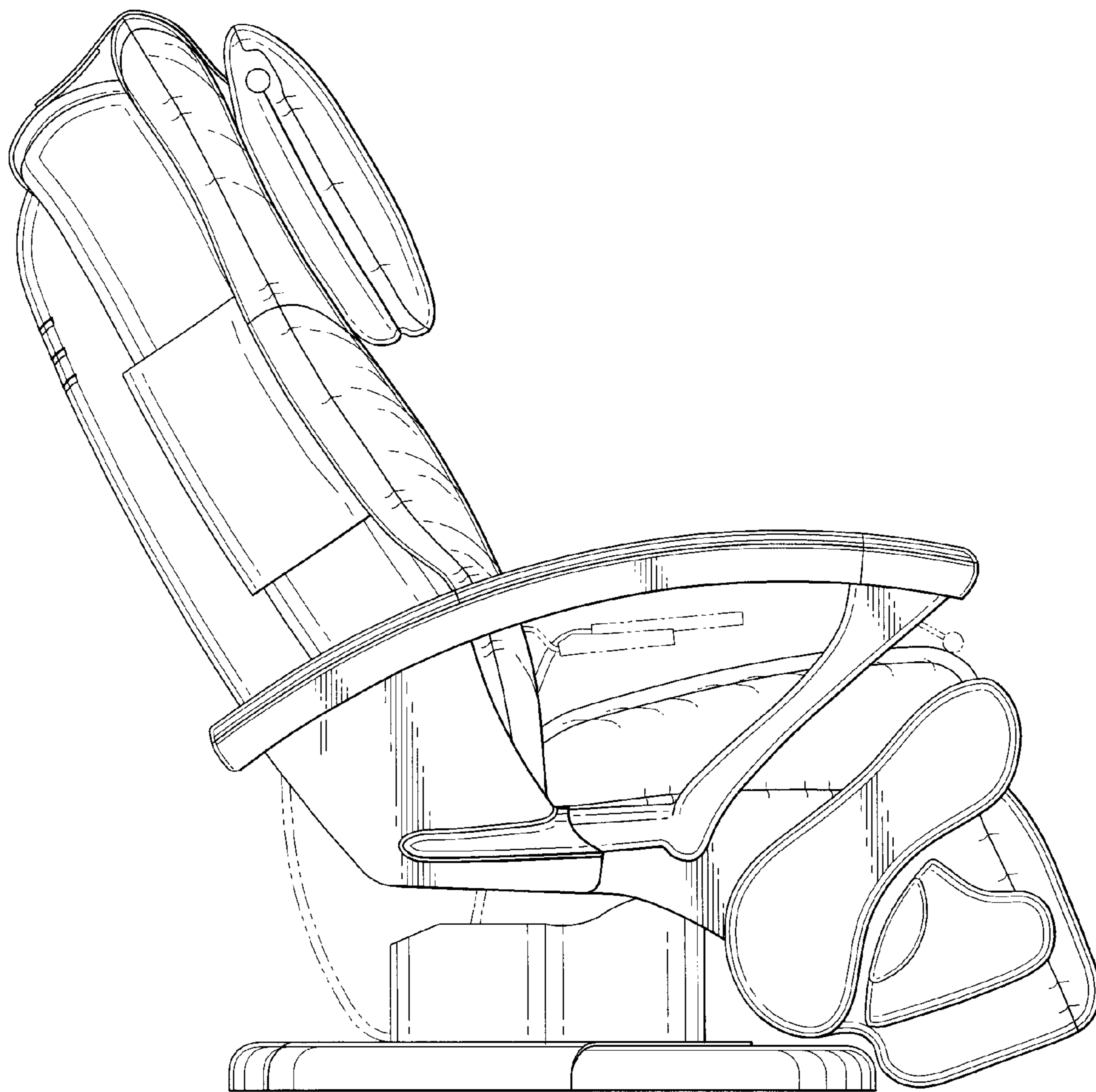


FIG. 3

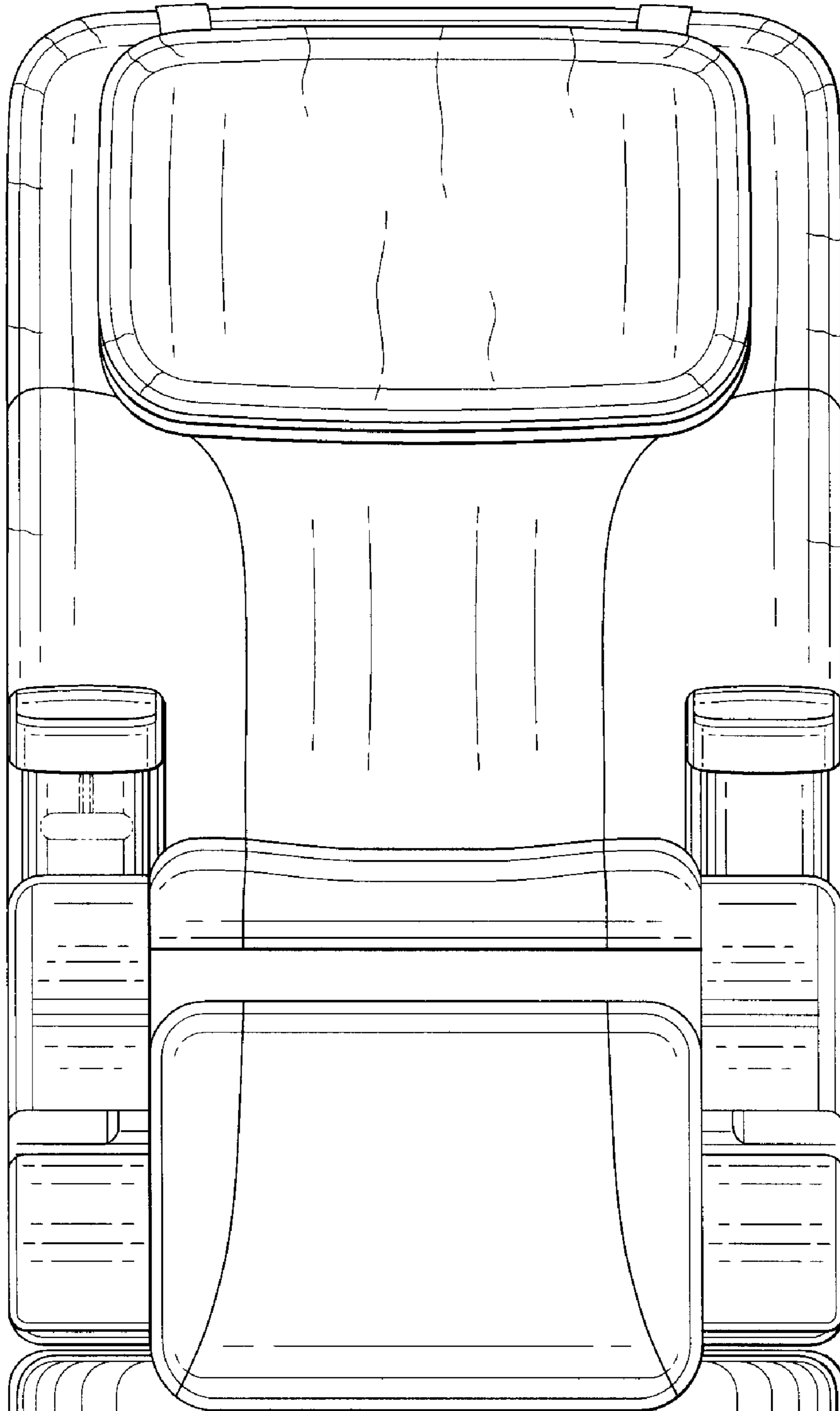


FIG. 4

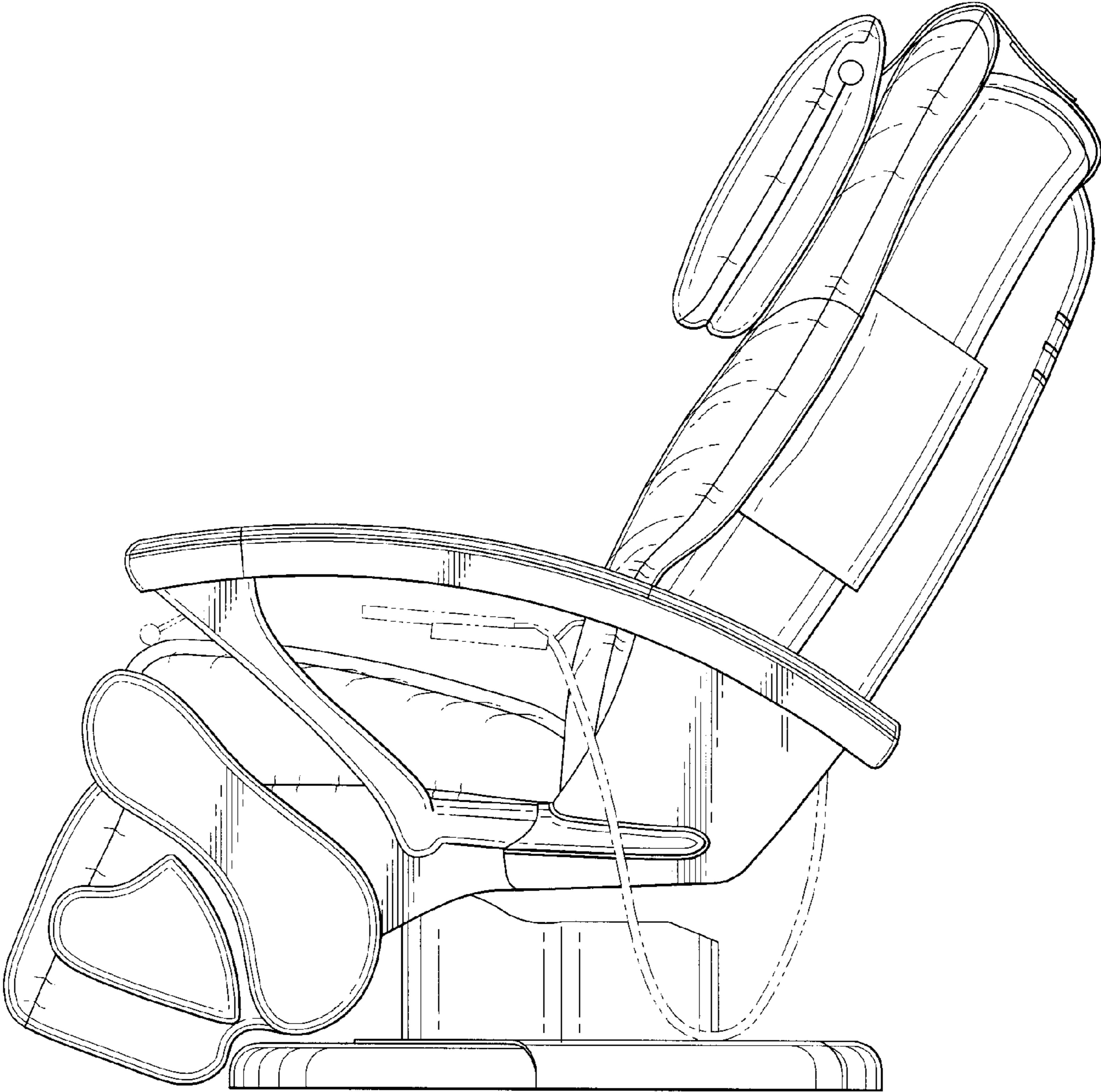


FIG. 5

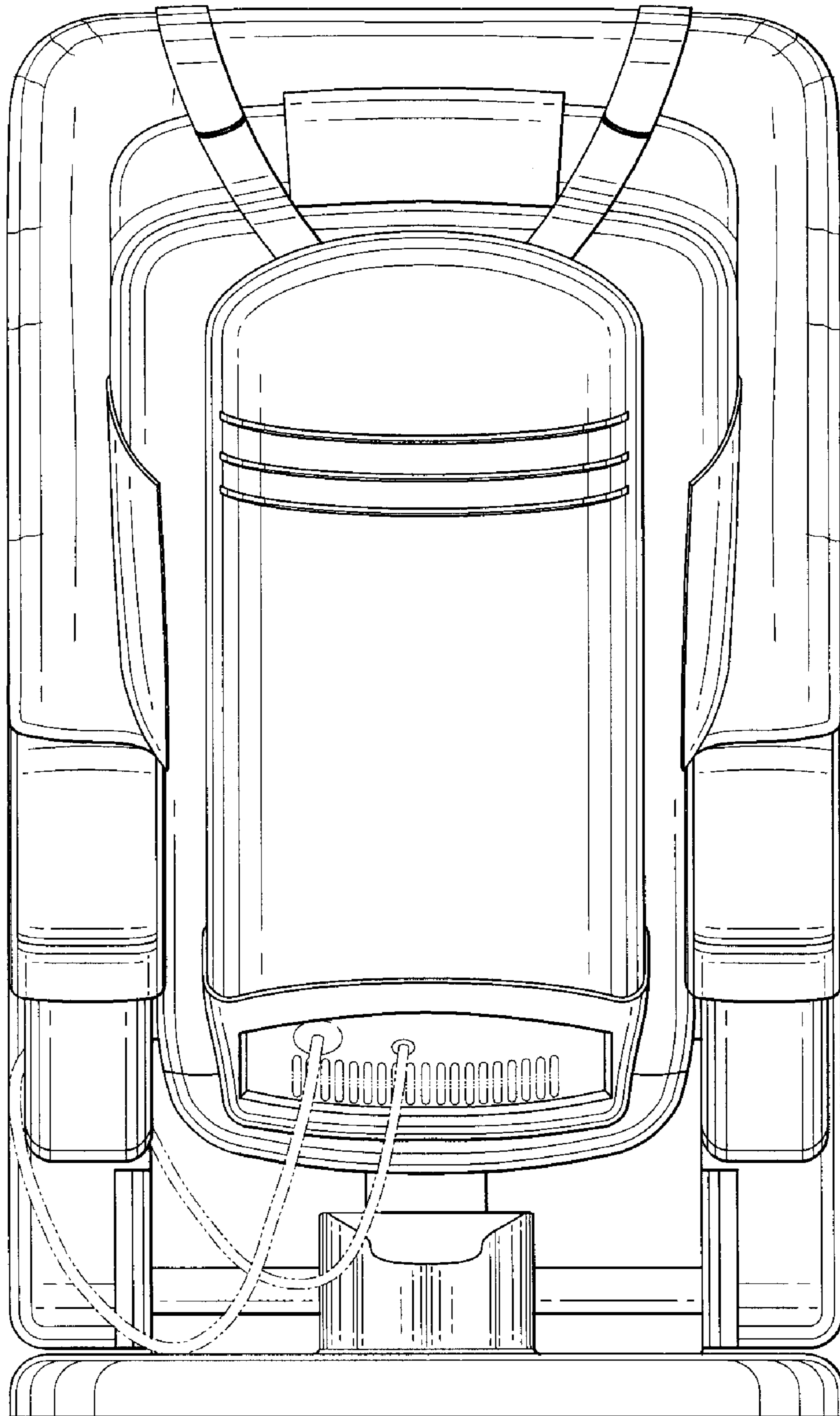


FIG. 6

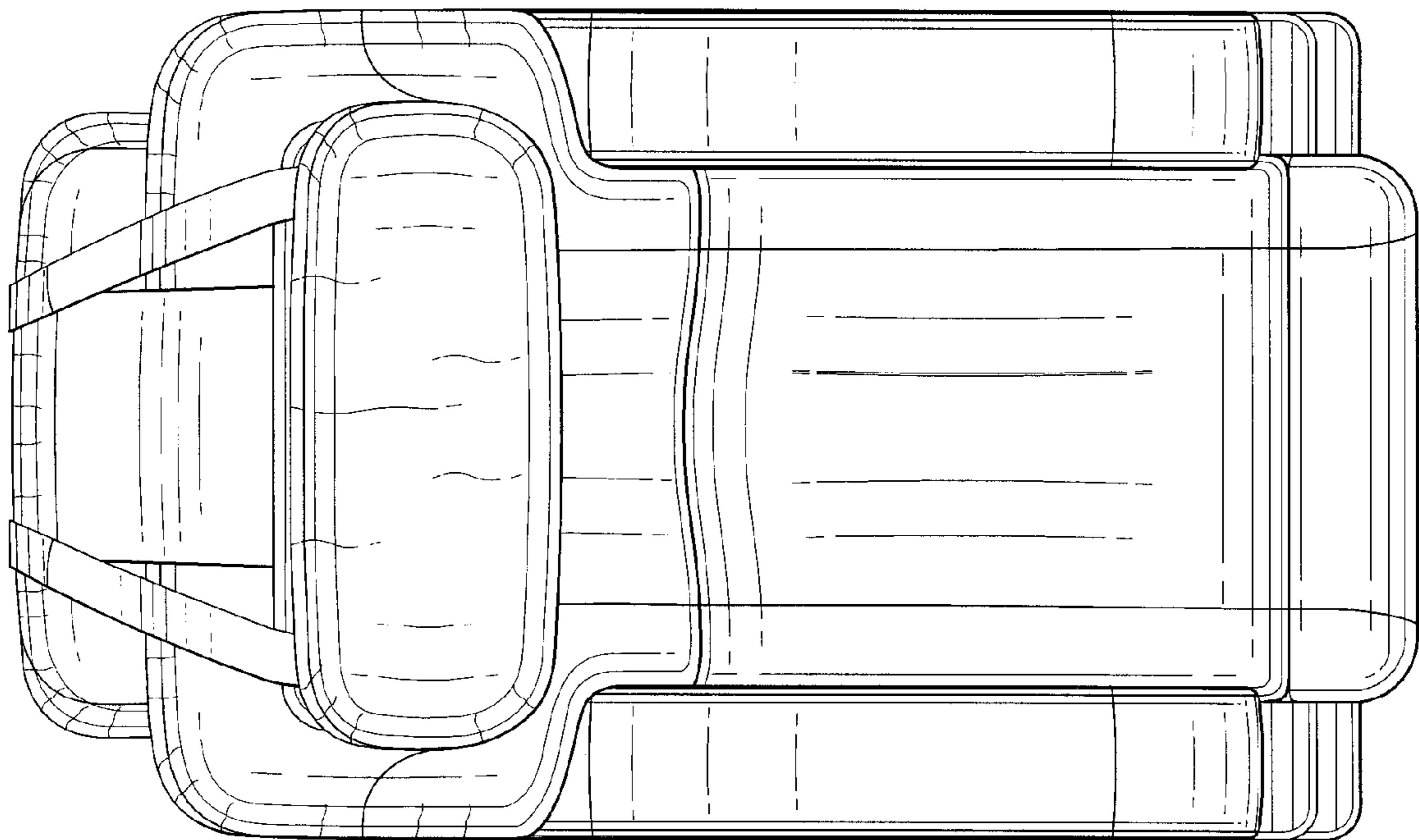
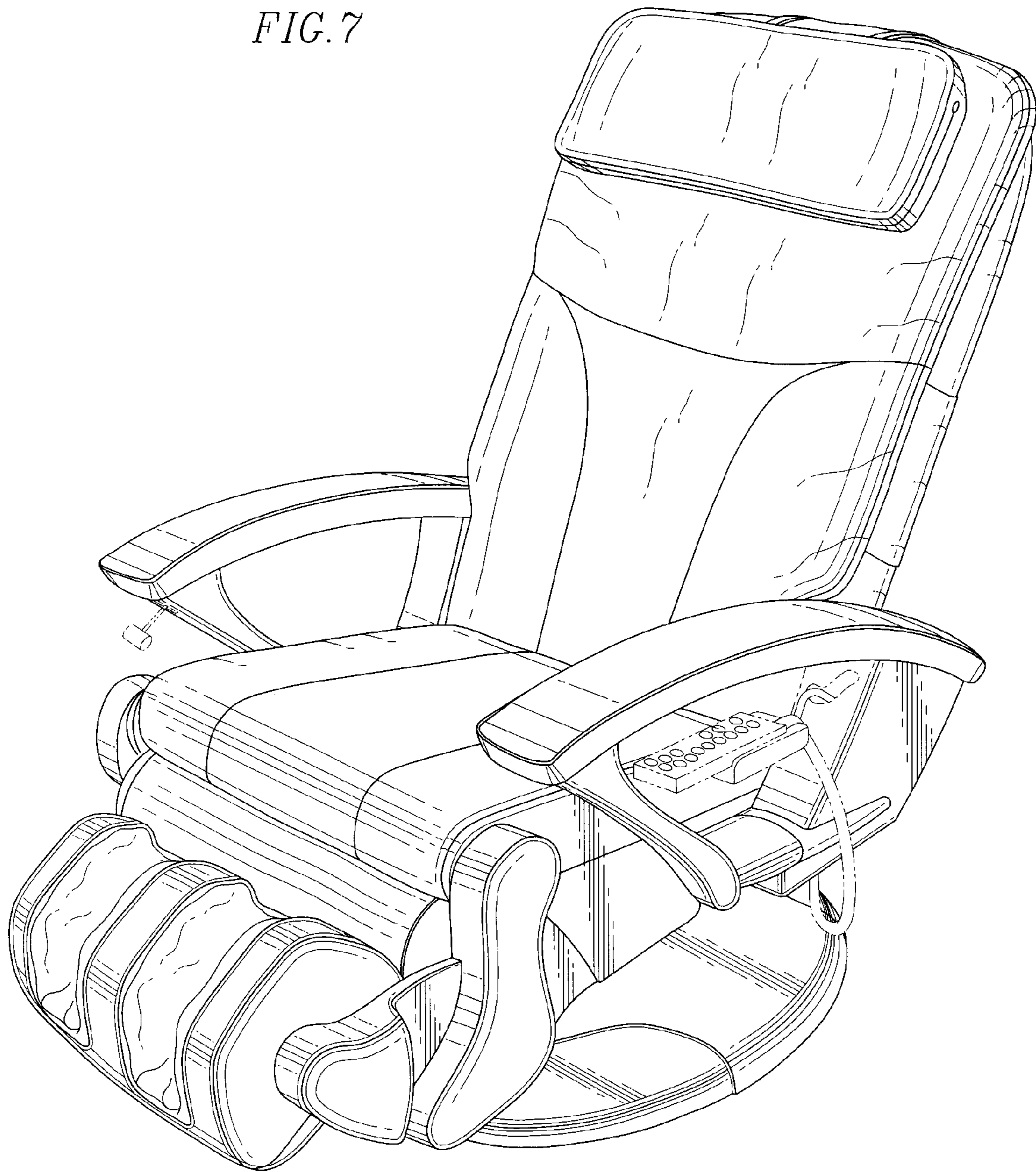


FIG. 7



UNITED STATES PATENT AND TRADEMARK OFFICE
CERTIFICATE OF CORRECTION

PATENT NO. : Des. 536,893 S
APPLICATION NO. : 29/240165
DATED : February 20, 2007
INVENTOR(S) : Lifeng

Page 1 of 1

It is certified that error appears in the above-identified patent and that said Letters Patent is hereby corrected as shown below:

On the Title Page

(57) Description, line 5

After "FIG. 3 is a front",
Insert --view--

(57) Description, line 14

Delete "inventior",
Insert --invention--

Signed and Sealed this

Twenty-seventh Day of November, 2007

A handwritten signature in black ink on a dotted background. The signature reads "Jon W. Dudas" in a cursive style.

JON W. DUDAS

Director of the United States Patent and Trademark Office