



US00D536891S

(12) **United States Design Patent**  
**Miyake et al.**

(10) **Patent No.:** **US D536,891 S**

(45) **Date of Patent:** **\*\* Feb. 20, 2007**

(54) **ELECTRIC MASSAGING CHAIR**

(75) Inventors: **Yoshiyuki Miyake**, Kadoma (JP); **Taro Mochida**, Kadoma (JP); **Junichi Yamada**, Tokyo (JP); **Nobutaka Kato**, Tokyo (JP)

(73) Assignee: **Matsushita Electric Works, Ltd.**, Osaka (JP)

(\*\*) Term: **14 Years**

(21) Appl. No.: **29/238,590**

(22) Filed: **Sep. 16, 2005**

(30) **Foreign Application Priority Data**

Mar. 17, 2005 (JP) ..... 2005-008081

(51) **LOC (8) Cl.** ..... **06-01**

(52) **U.S. Cl.** ..... **D6/367**

(58) **Field of Classification Search** ..... D6/334-336, D6/360, 361, 367, 371, 373, 379, 500-502; 297/68, 271.1, 271.2, 271.3, 411.45, 423.19, 297/423.3, 353, 354.1; 601/49, 57-59, 97-99, 601/102, 115, 116, 148, 149

See application file for complete search history.

(56) **References Cited**

**U.S. PATENT DOCUMENTS**

D372,801 S \* 8/1996 Fujimoto et al. .... D6/367  
D372,802 S \* 8/1996 Fujimoto et al. .... D6/367  
D418,990 S \* 1/2000 Oguri et al. .... D6/367  
D430,974 S \* 9/2000 Yang ..... D6/367  
D447,348 S \* 9/2001 Kobayashi et al. .... D6/335  
D471,372 S \* 3/2003 Inada et al. .... D6/367  
D491,375 S \* 6/2004 Yuyama ..... D6/335

D502,607 S \* 3/2005 Miyake et al. .... D6/335  
D502,817 S \* 3/2005 Inada et al. .... D6/367  
D517,337 S \* 3/2006 Mori ..... D6/367  
D517,338 S \* 3/2006 Inada et al. .... D6/367  
2005/0146176 A1 \* 7/2005 Yoda et al. .... 297/217.1

\* cited by examiner

*Primary Examiner*—Mimosa De

(74) *Attorney, Agent, or Firm*—Osha ·Liang LLP

(57) **CLAIM**

The ornamental design for an electric massaging chair, as shown and described.

**DESCRIPTION**

FIG. 1 is a perspective view of the design according to the invention.

FIG. 2 is a left view of the design according to the invention.

FIG. 3 is a back view of the design according to the invention.

FIG. 4 is a top view of the design according to the invention.

FIG. 5 is a bottom view of the design according to the invention.

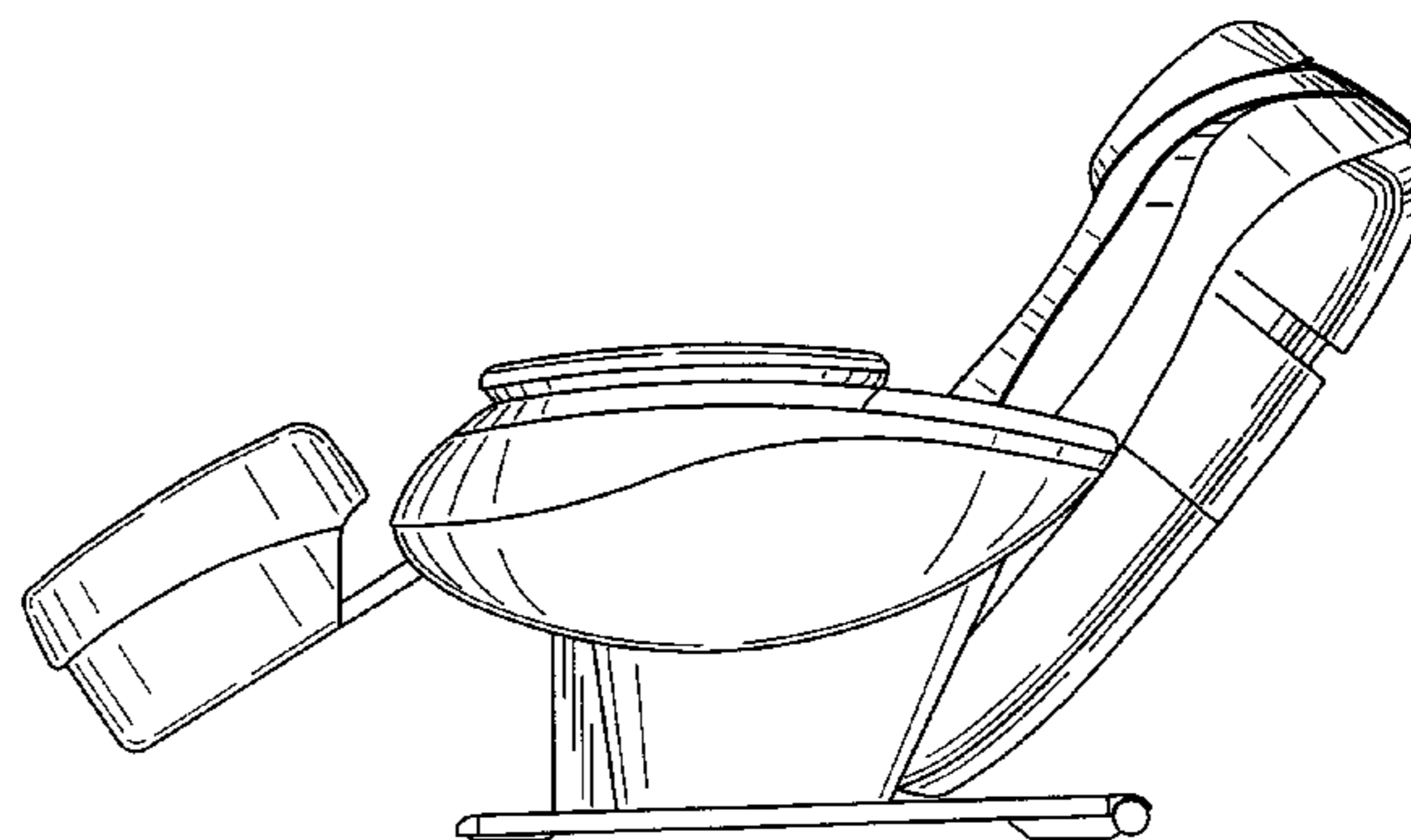
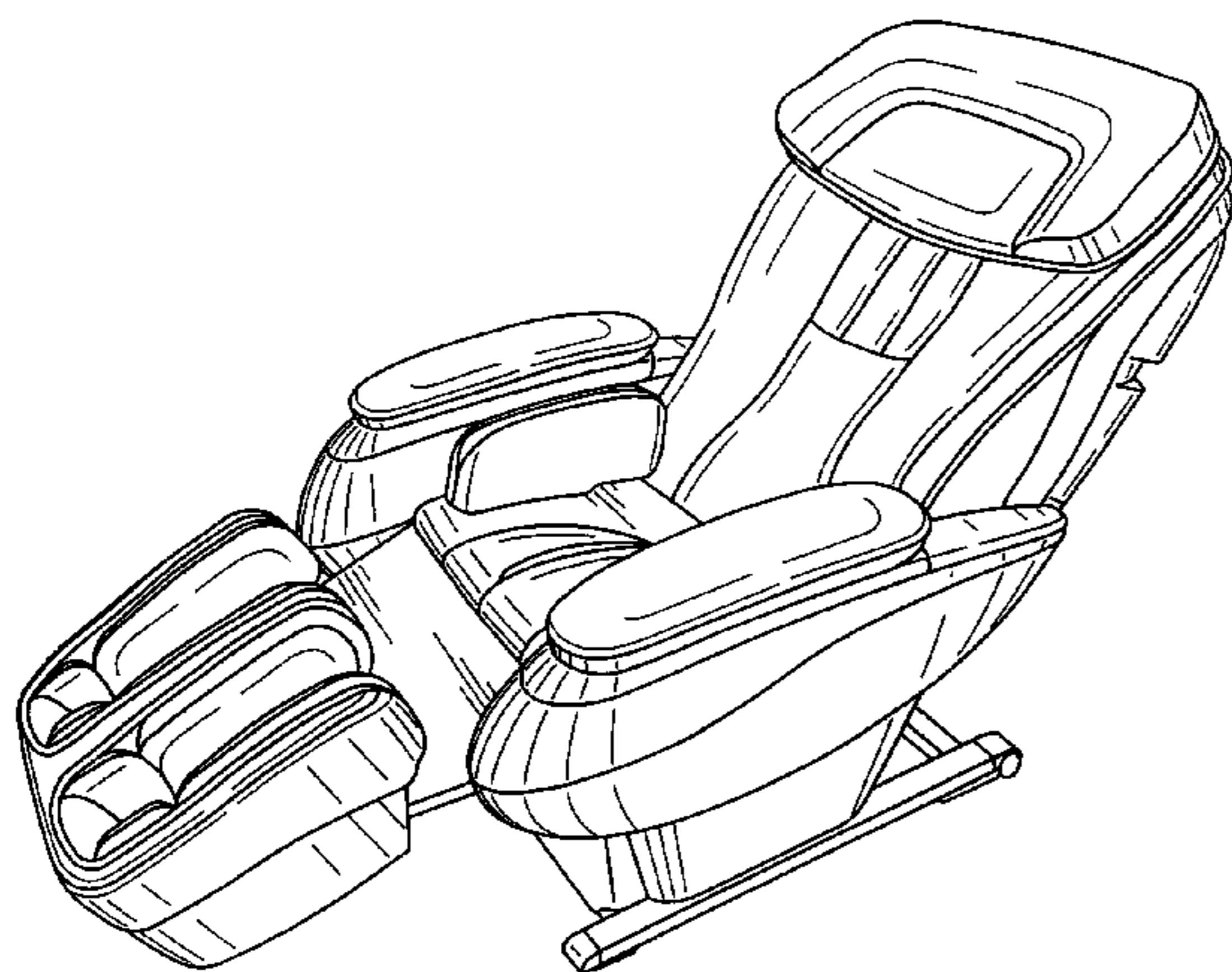
FIG. 6 is a front view of the design according to the invention.

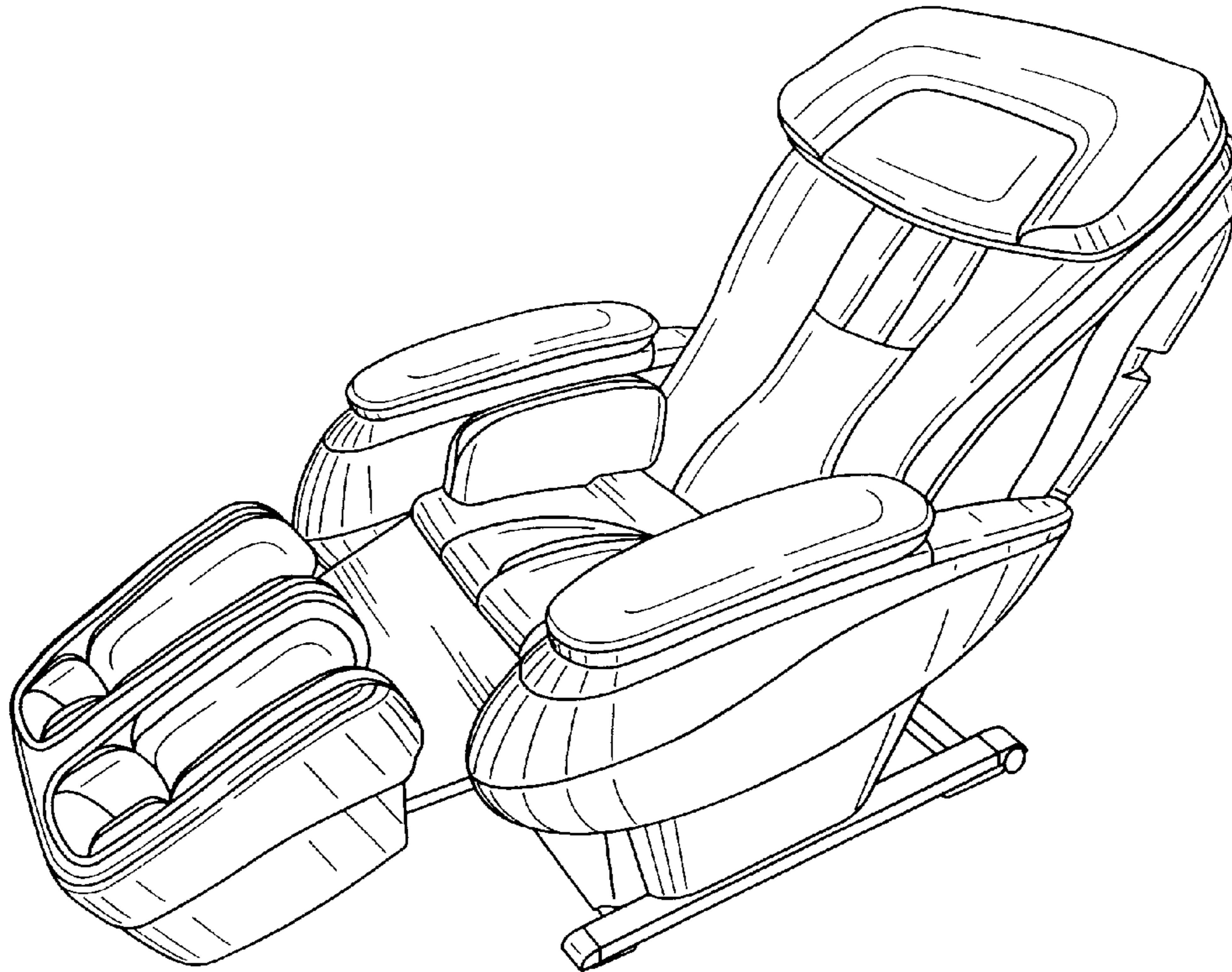
FIG. 7 is a perspective view of the design according to the invention in an alternate position.

FIG. 8 is a left view of the design according to the invention in an alternate position showing the condition that the back and the leg rest are raised and the arm massaging portion is opened; and,

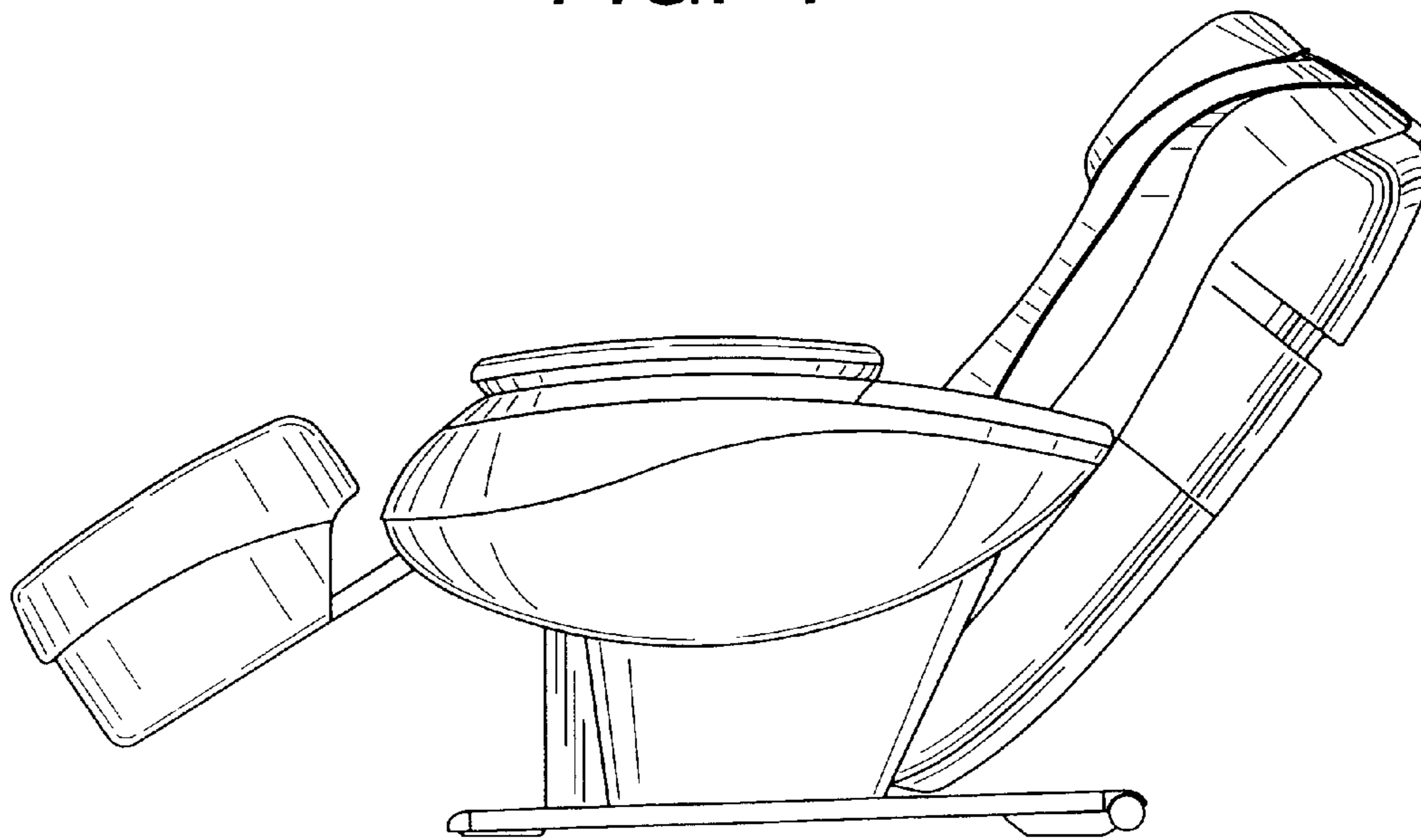
FIG. 9 is a left view of the design according to the invention in an alternate position showing the condition that the back is reclined, the leg rest is folded and the the arm massaging portion is closed.

**1 Claim, 5 Drawing Sheets**

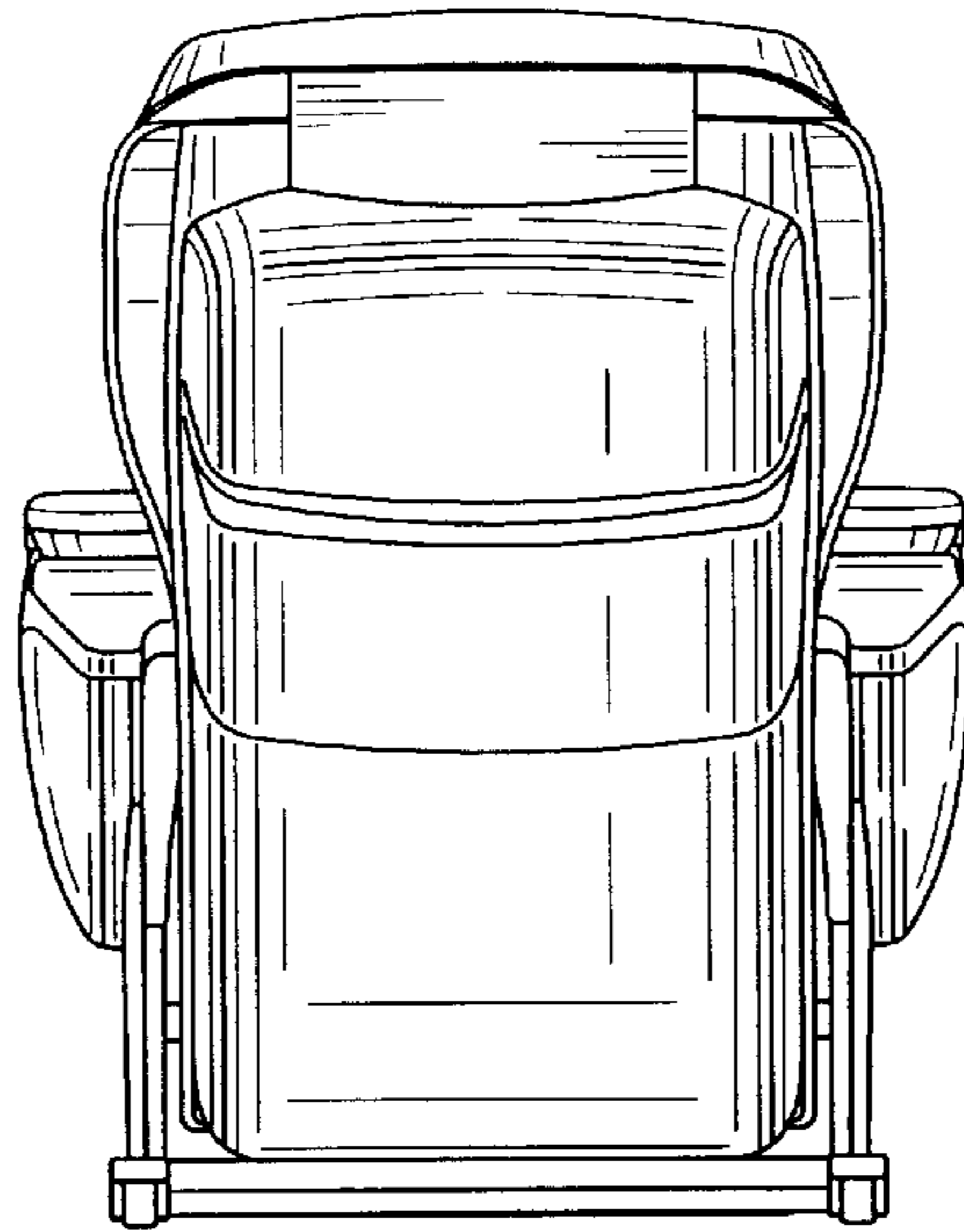




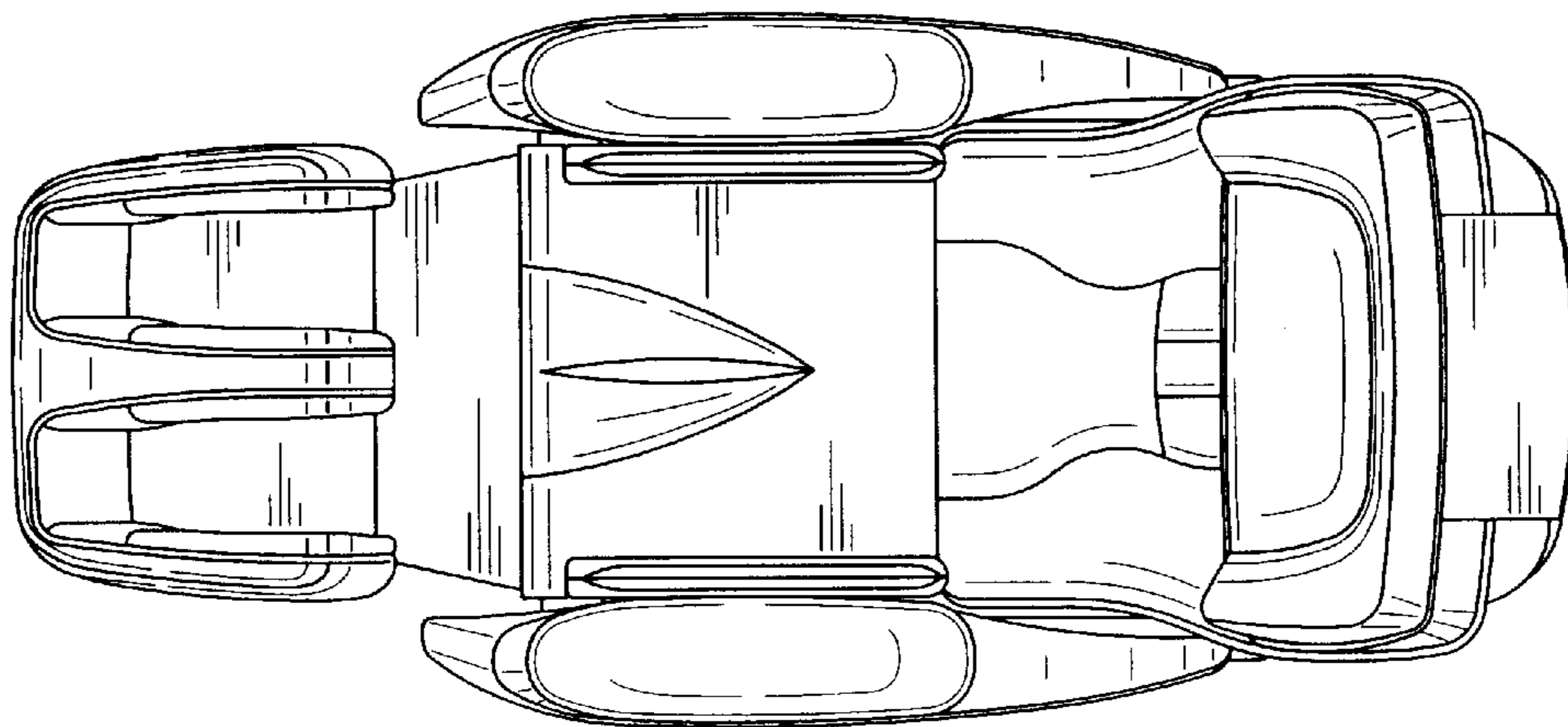
**FIG. 1**



**FIG. 2**

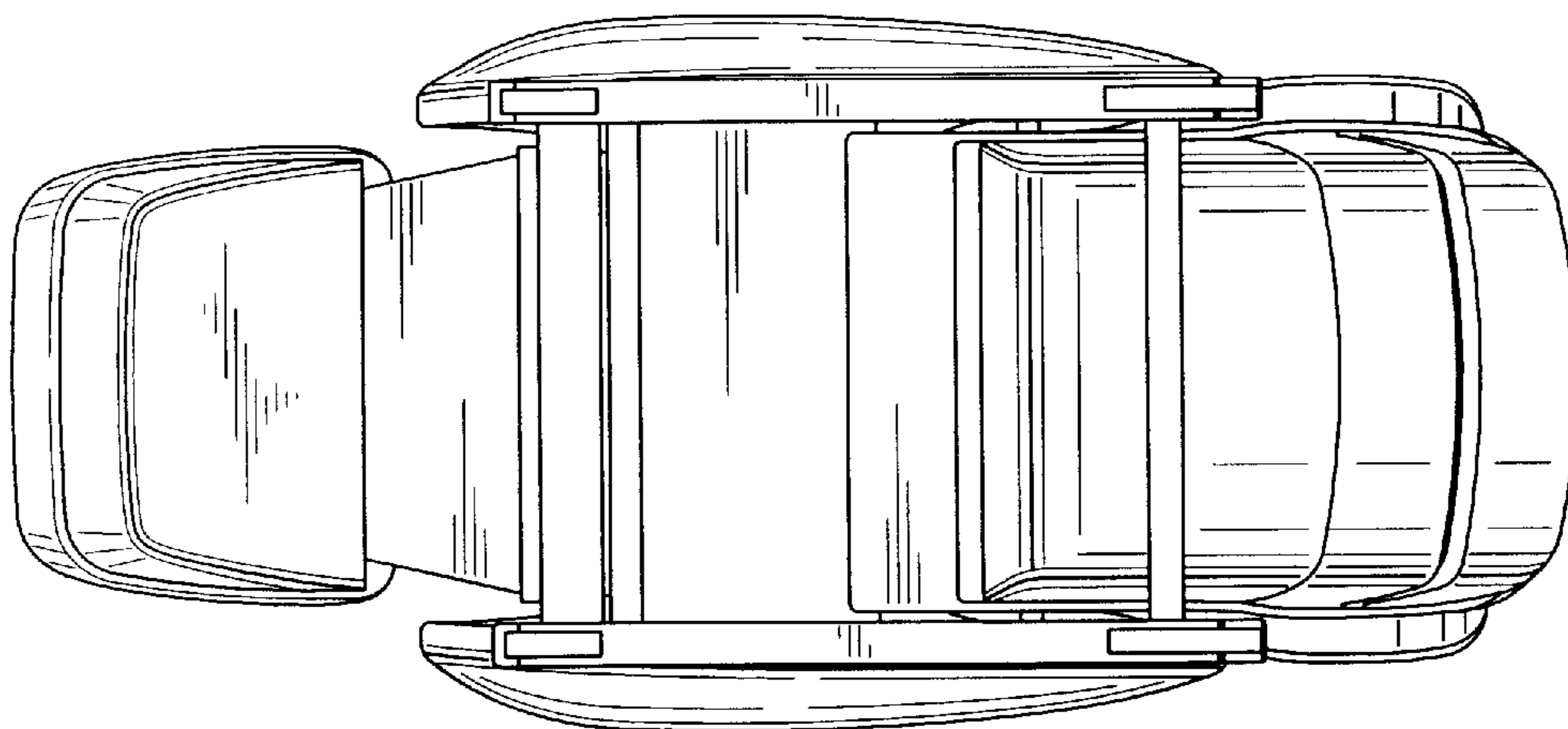


*FIG. 3*

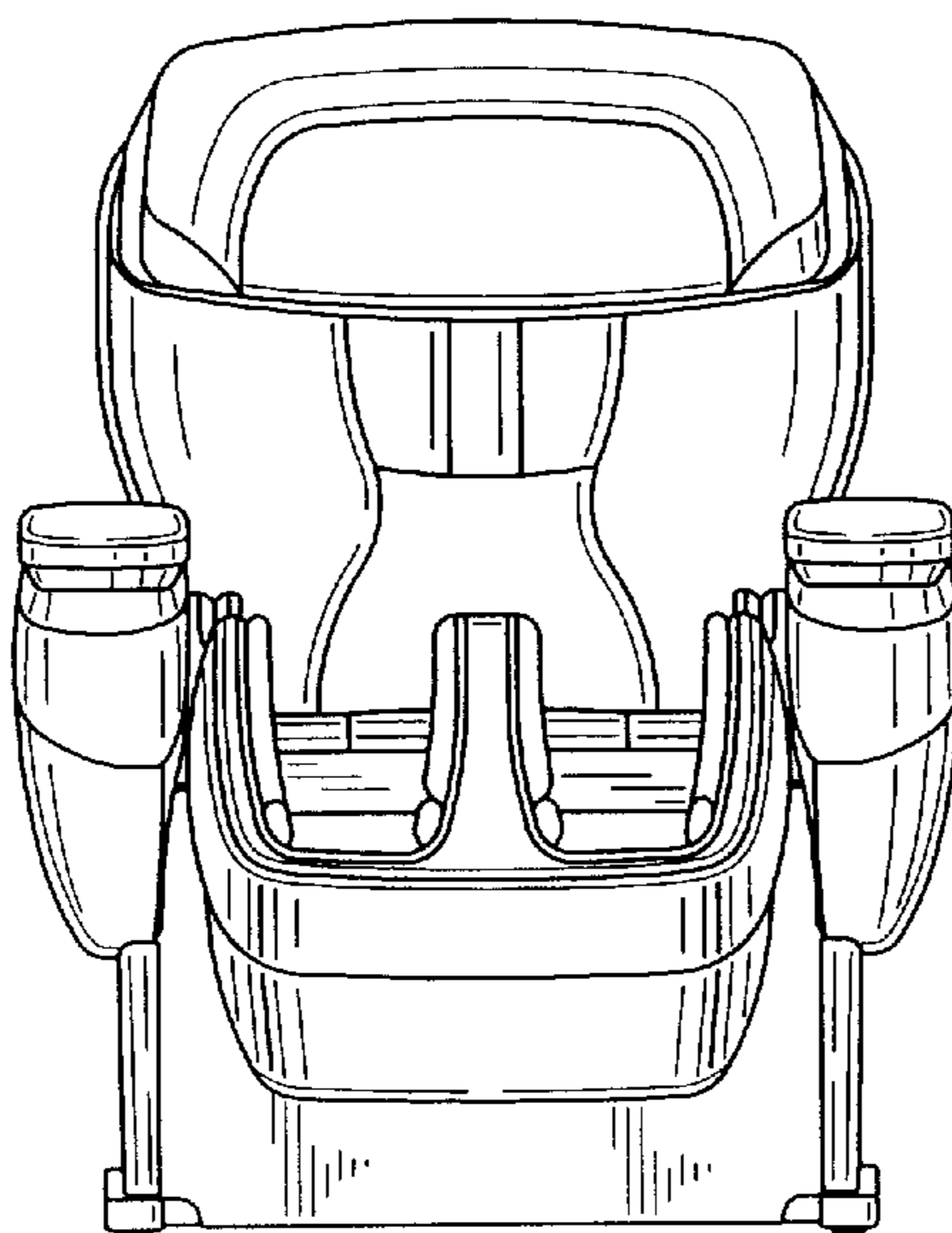


*FIG. 4*

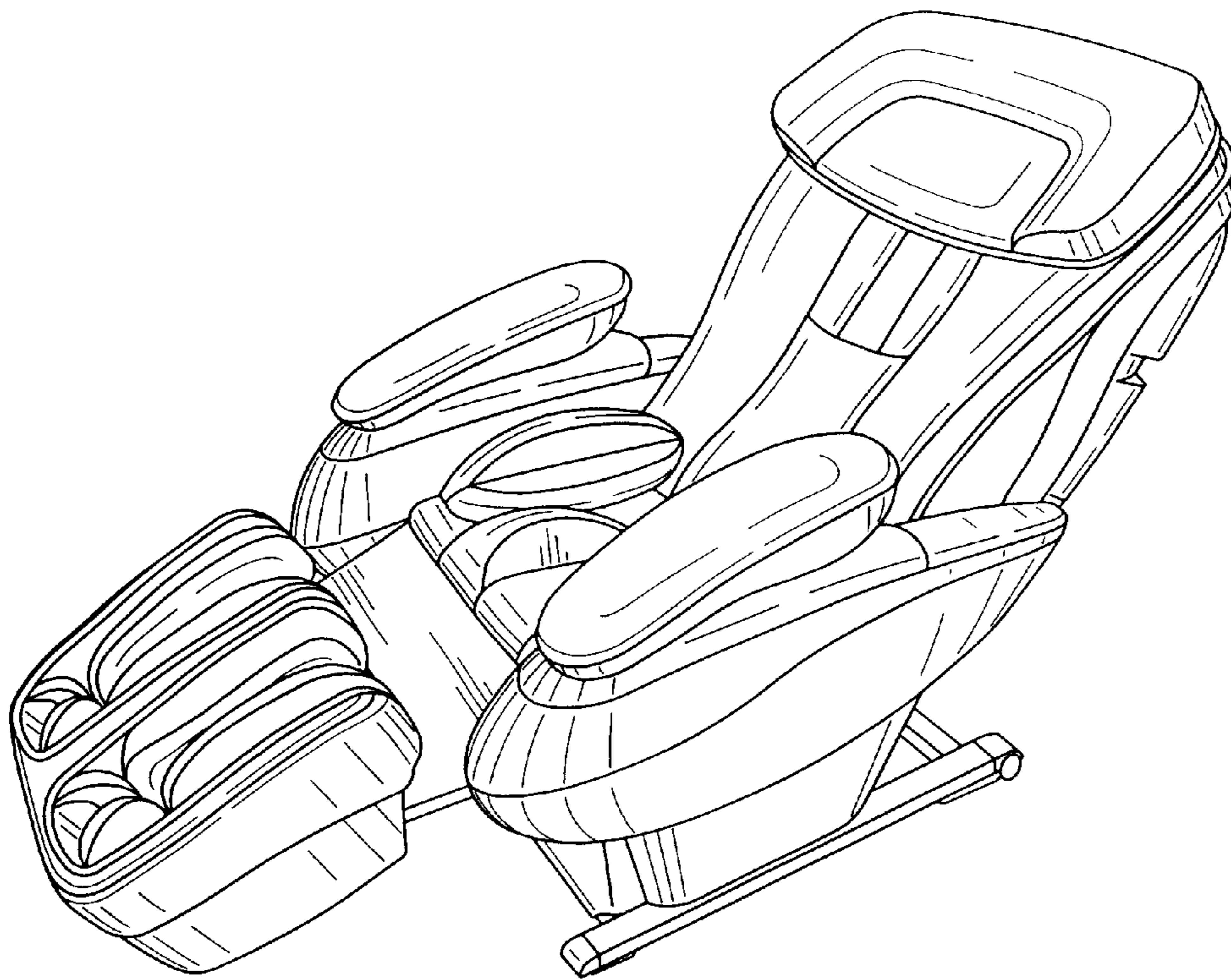




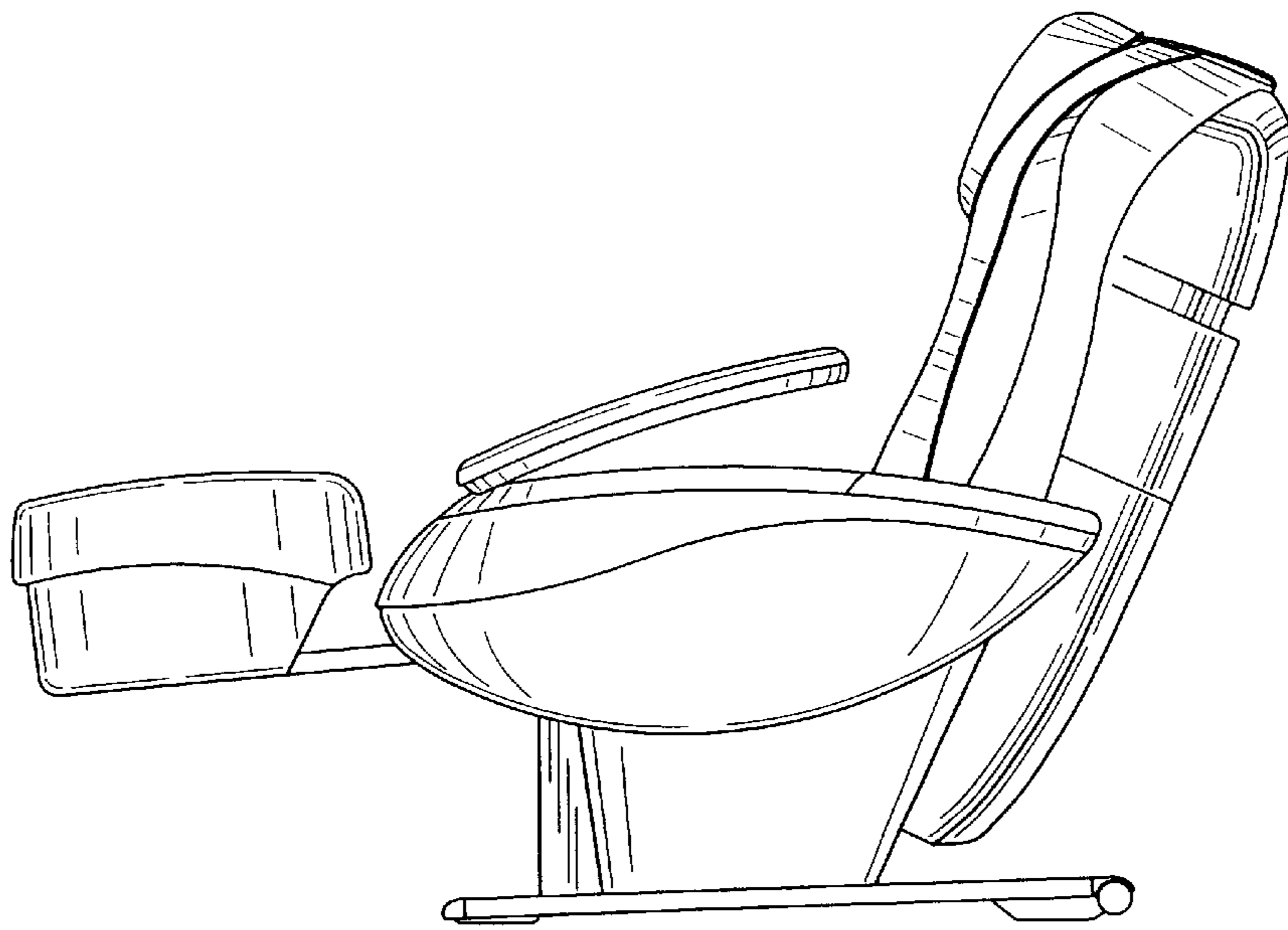
*FIG. 5*



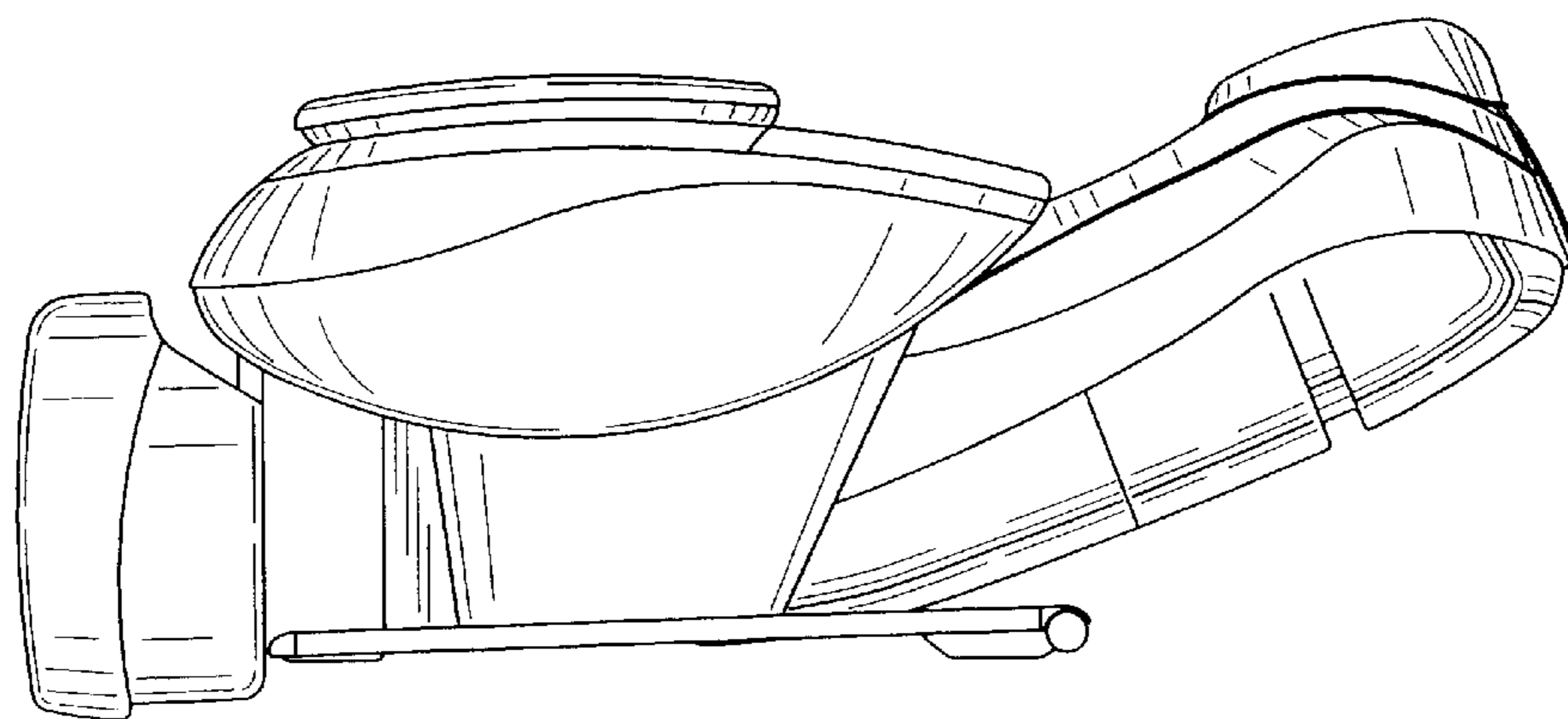
*FIG. 6*



*FIG. 7*



*FIG. 8*



*FIG. 9*