



US00D536890S

(12) **United States Design Patent** (10) **Patent No.:** **US D536,890 S**
Loew et al. (45) **Date of Patent:** **** *Feb. 20, 2007**

(54) **SEATING UNIT**

(75) Inventors: **Glen Oliver Loew**, Hamburg (DE);
Kurt R. Heidmann, Grand Rapids, MI
(US); **Bruce M. Smith**, Grand Rapids,
MI (US)

(73) Assignee: **Steelcase Development Corporation**,
Caledonia, MI (US)

(*) Notice: This patent is subject to a terminal dis-
claimer.

(**) Term: **14 Years**

(21) Appl. No.: **29/200,702**

(22) Filed: **Mar. 3, 2004**

(51) **LOC (8) Cl.** **06-01**

(52) **U.S. Cl.** **D6/366**

(58) **Field of Classification Search** D6/334-336,
D6/364, 365, 367, 498, 500-502; 297/411.2,
297/411.27, 411.36, 452.29, 391, 394, 396,
297/397

See application file for complete search history.

(56) **References Cited**

U.S. PATENT DOCUMENTS

D327,781 S	7/1992	Citterio	
D327,782 S	7/1992	Citterio	
5,318,347 A	6/1994	Tseng	
D410,799 S	6/1999	Meda	
D417,101 S	* 11/1999	DeSanta et al. D6/500

(Continued)

FOREIGN PATENT DOCUMENTS

EP	0836819	4/1998
EP	1044634	10/2000
EP	1059051	12/2000
EP	1287765	3/2003
JP	2003079474	9/2003
JP	2003079478	9/2003
WO	WO 9816140	4/1998

WO	WO 0022960	4/2000
WO	WO 0074531	12/2000
WO	WO 0178558	10/2001

OTHER PUBLICATIONS

Exhibit A is a print-out from a website "cgi-ebay.com" disclosing an antique chair by designer, Hans J. Wegner, having a back cushion supported by spaced-apart back uprights and apparently having strips extending therebetween.

Meda II Chair brochure printed off Vitra.com website dated Dec. 18, 2002 (4 pages).

Primary Examiner—Mimosa De

(74) *Attorney, Agent, or Firm*—Price Heneveld Cooper DeWitt & Litton LLP

(57) **CLAIM**

We claim the ornamental design for a seating unit, as shown and described.

DESCRIPTION

FIGS. 1-2 are front and rear perspective views of a first embodiment of a seating unit embodying the present invention;

FIGS. 3-8 are right, front, left, rear, top, and bottom views, respectively, of the seating unit shown in FIGS. 1-2.

FIGS. 9-10 are front and rear perspective views of a second embodiment of a seating unit; and

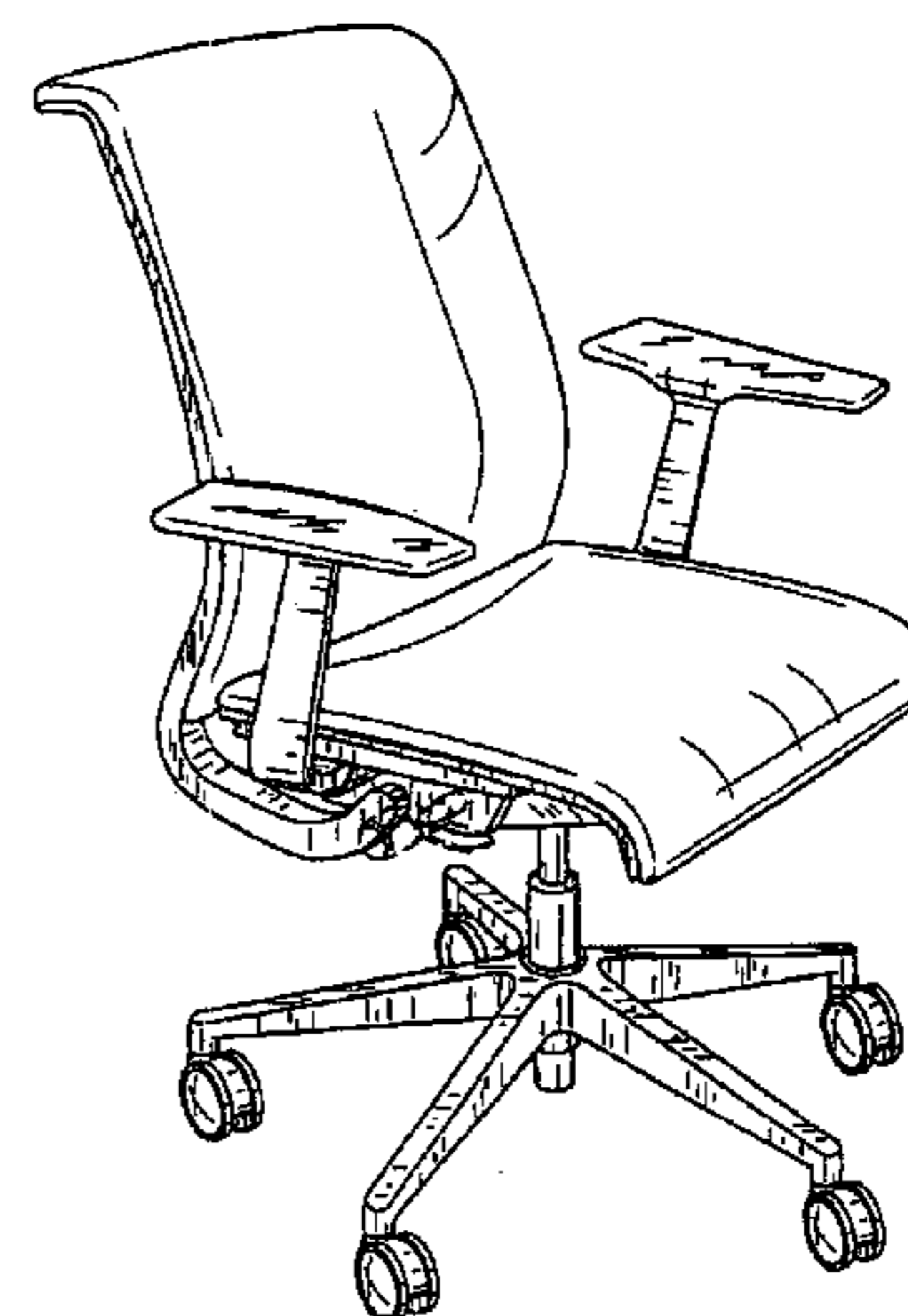
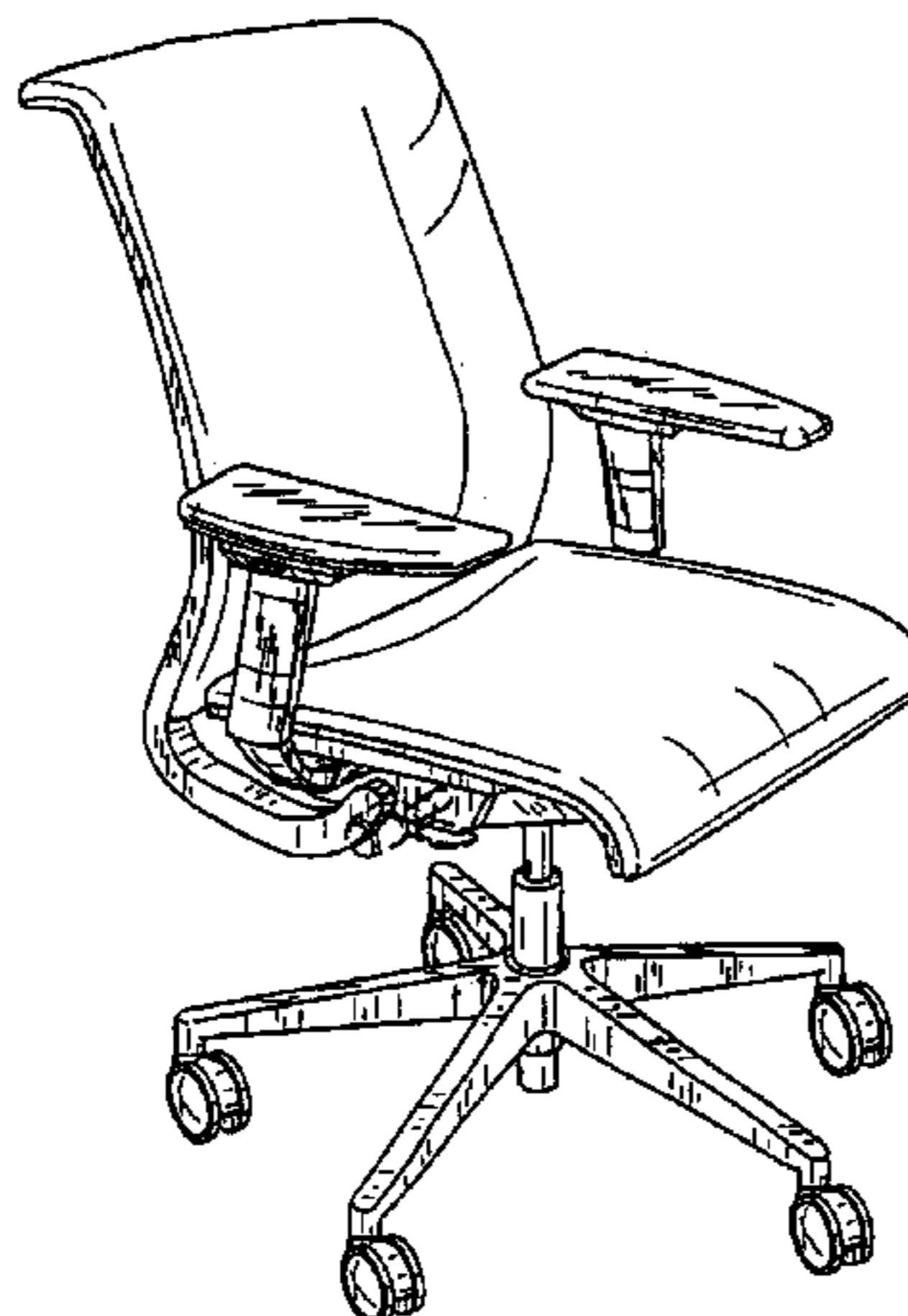
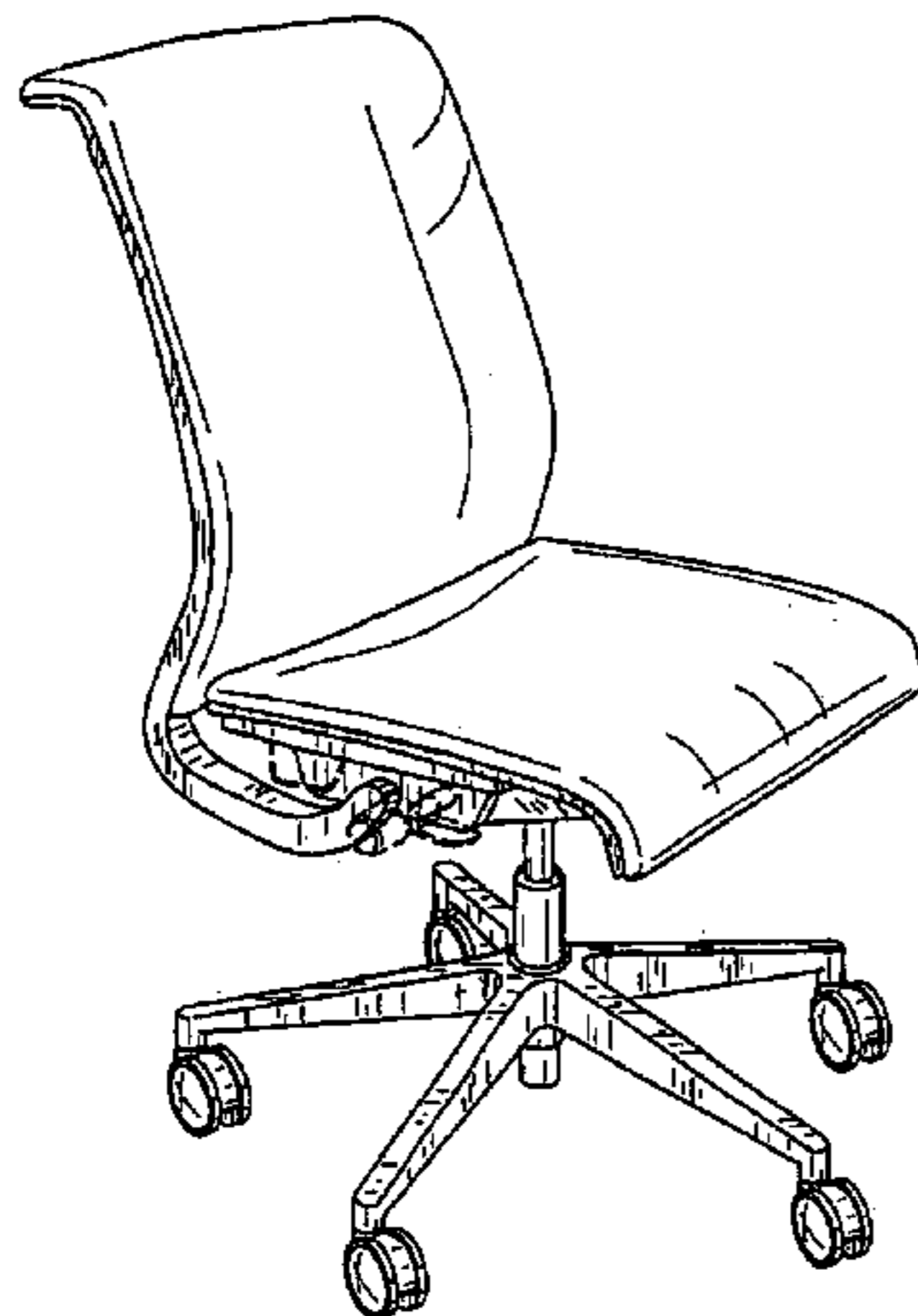
FIGS. 11-16 are right, front, left, rear, top, and bottom views, respectively, of the seating unit shown in FIGS. 8-10.

FIGS. 17-18 are front and rear perspective views of a third embodiment of a seating unit embodying the present invention; and,

FIGS. 19-24 are right, front, left, rear, top, and bottom views, respectively, of the seating unit shown in FIGS. 17-18.

The dashed lines in the drawings are to show the environment of the present articles, but do not form a part of the claimed invention.

1 Claim, 12 Drawing Sheets



US D536,890 S

Page 2

U.S. PATENT DOCUMENTS

D417,792 S	*	12/1999	Hansen et al.	D6/366
5,997,093 A		12/1999	Gollin et al.		
D418,316 S	*	1/2000	Vogtherr	D6/366
D422,802 S	*	4/2000	Deacon	D6/366
6,076,892 A		6/2000	Van Hekken et al.		
6,106,070 A		8/2000	Ritt et al.		
6,149,236 A		11/2000	Brauning		
D436,259 S	*	1/2001	Nagamitsu	D6/366
D436,260 S	*	1/2001	Nagamitsu	D6/366
D436,456 S		1/2001	Neil		
D437,132 S	*	2/2001	Nagamitsu	D6/366
D437,497 S		2/2001	Brauning		
D437,701 S		2/2001	Bellini et al.		
D444,309 S	*	7/2001	Nagamitsu	D6/366
D449,174 S		10/2001	Neil		
D456,625 S		5/2002	Frenkler et al.		
6,394,553 B1		5/2002	McAllister et al.		
6,439,661 B1		8/2002	Brauning		
D468,564 S		1/2003	Piretti et al.		
D469,618 S		2/2003	Nagamitsu		
D476,493 S	*	7/2003	Nagamitsu	D6/366
D476,820 S	*	7/2003	Nagamitsu	D6/366
D482,205 S	*	11/2003	Englisch et al.	D6/366
D509,969 S	*	9/2005	Loew et al.	D6/366
2002/0190561 A1		12/2002	Phillips et al.		

* cited by examiner

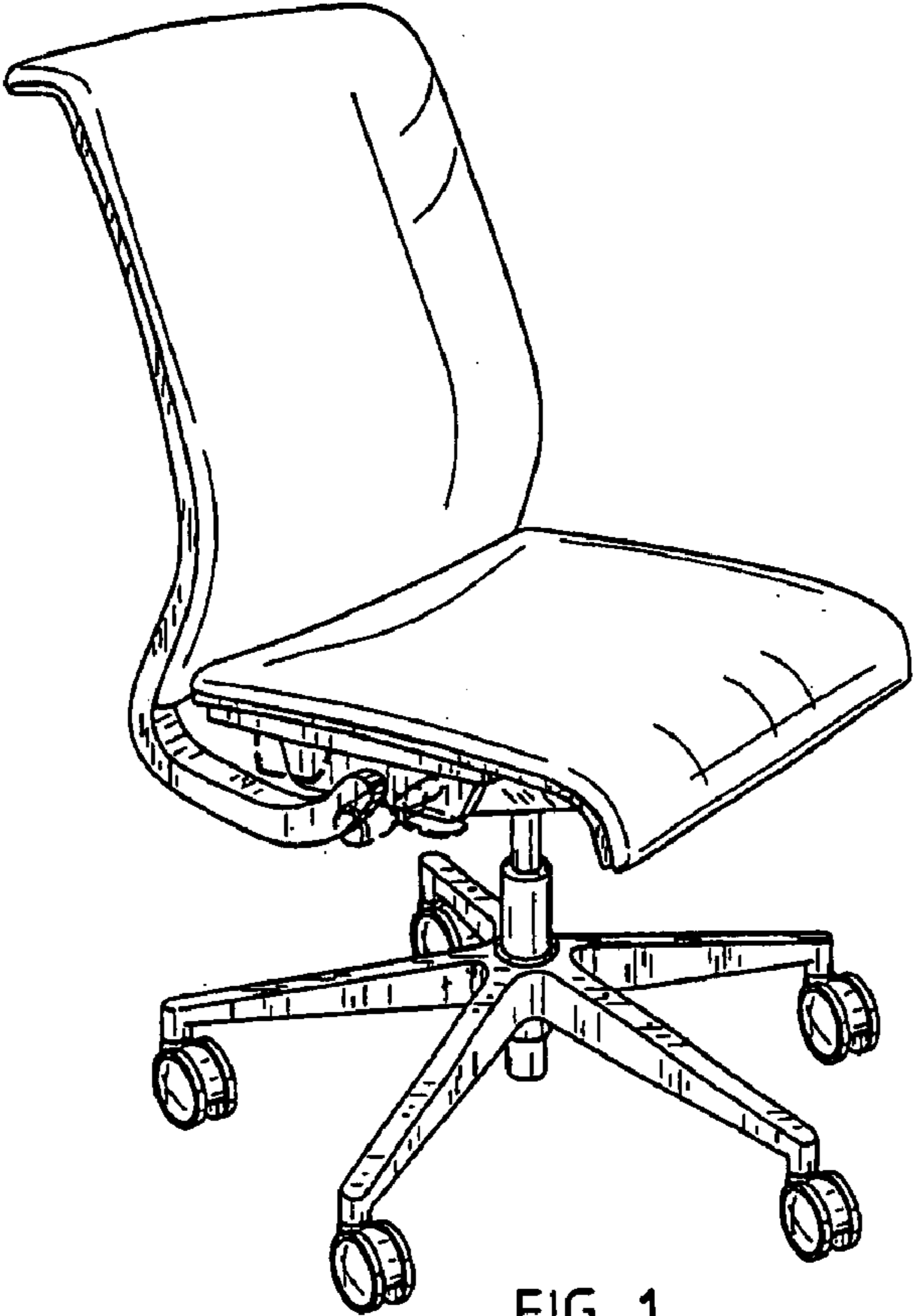


FIG. 1

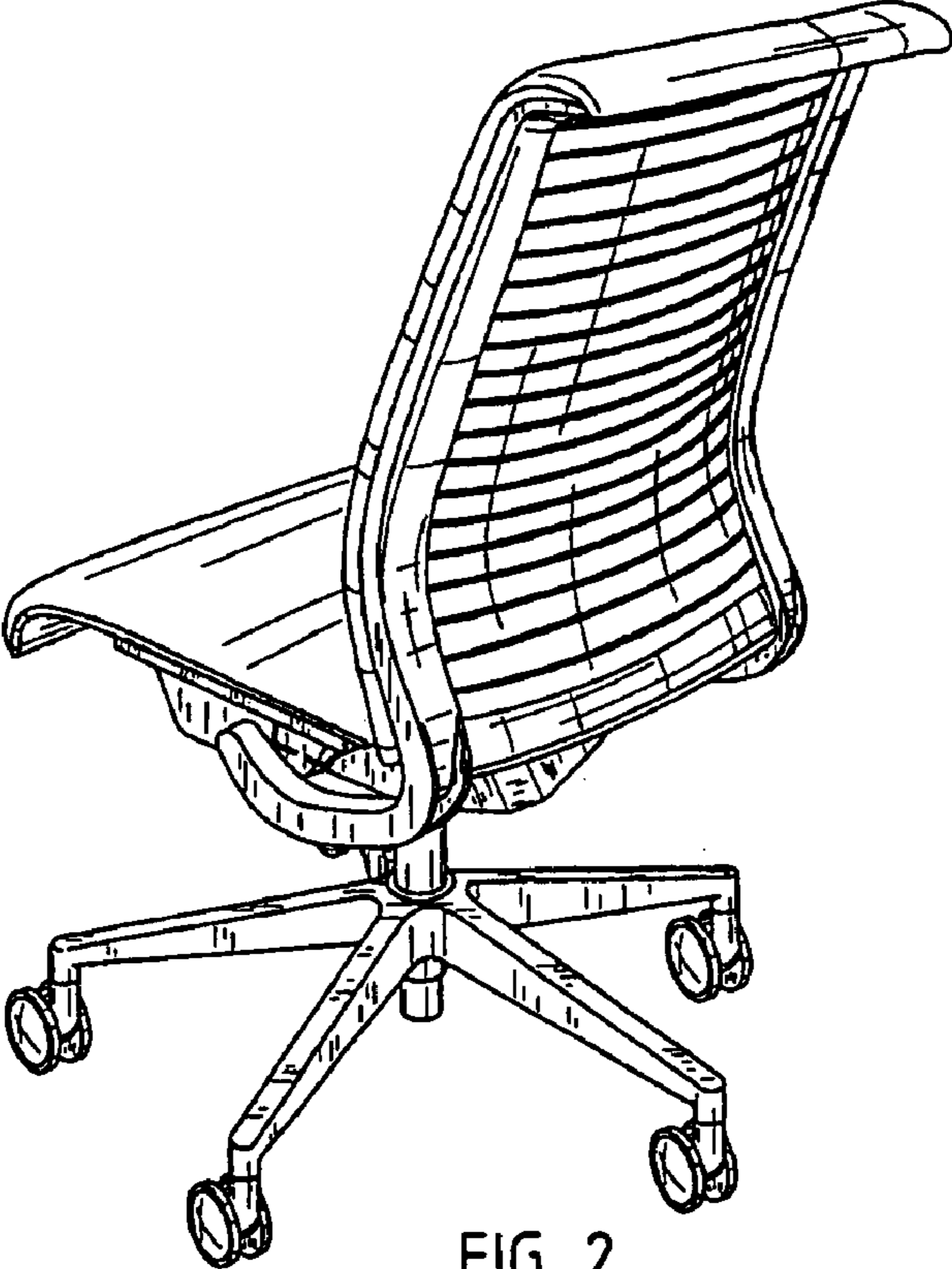


FIG. 2

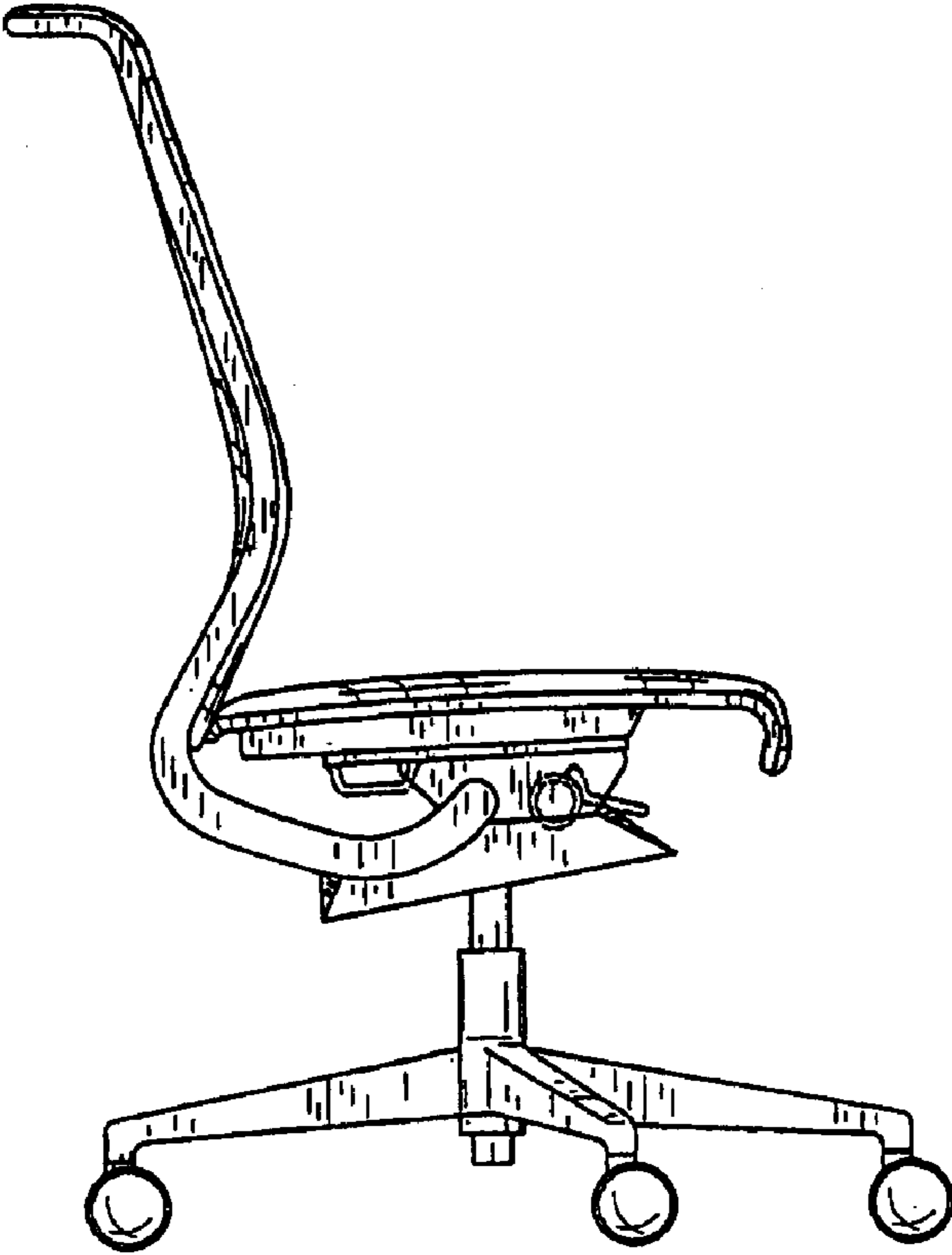


FIG. 3

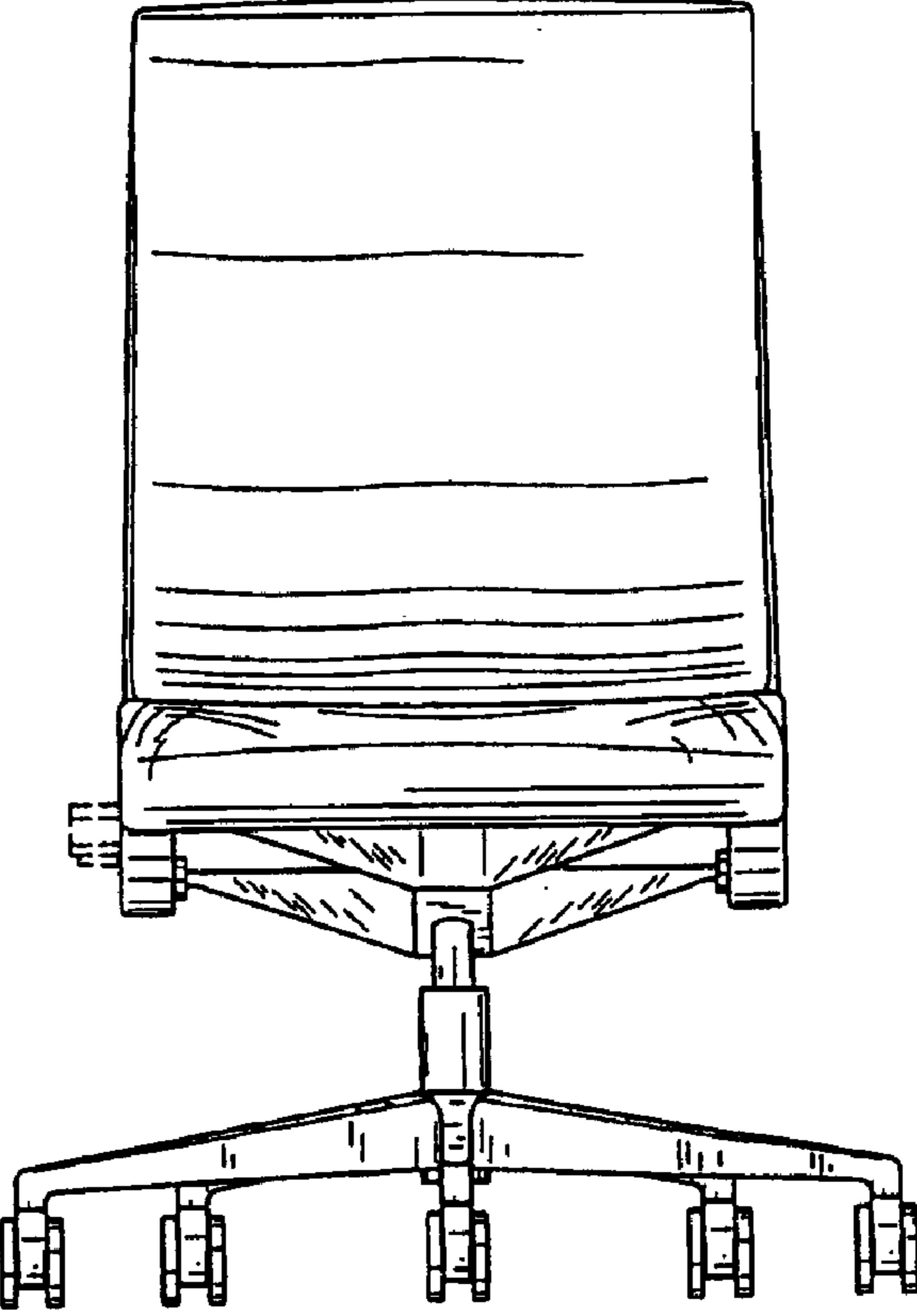


FIG. 4

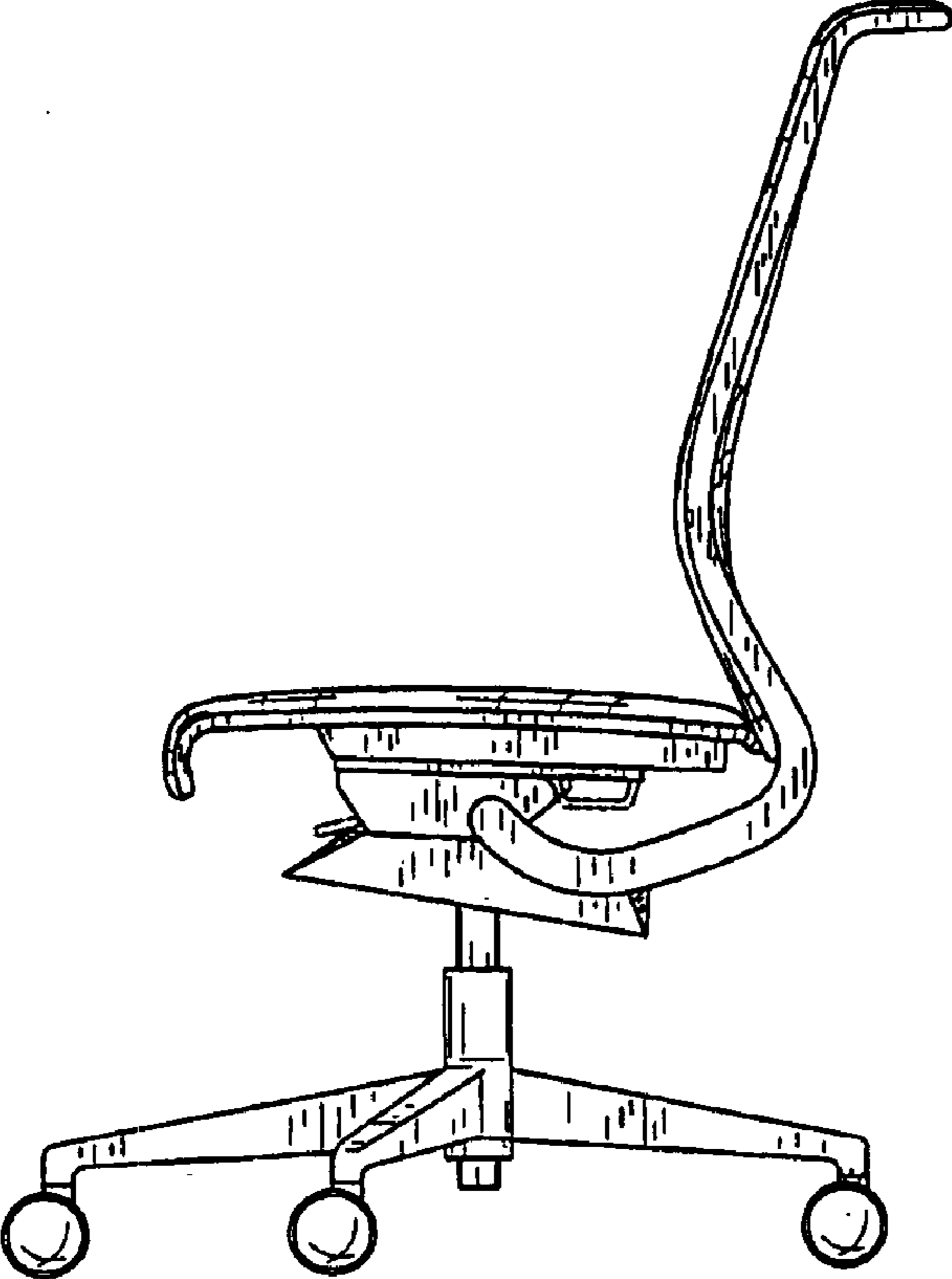


FIG. 5

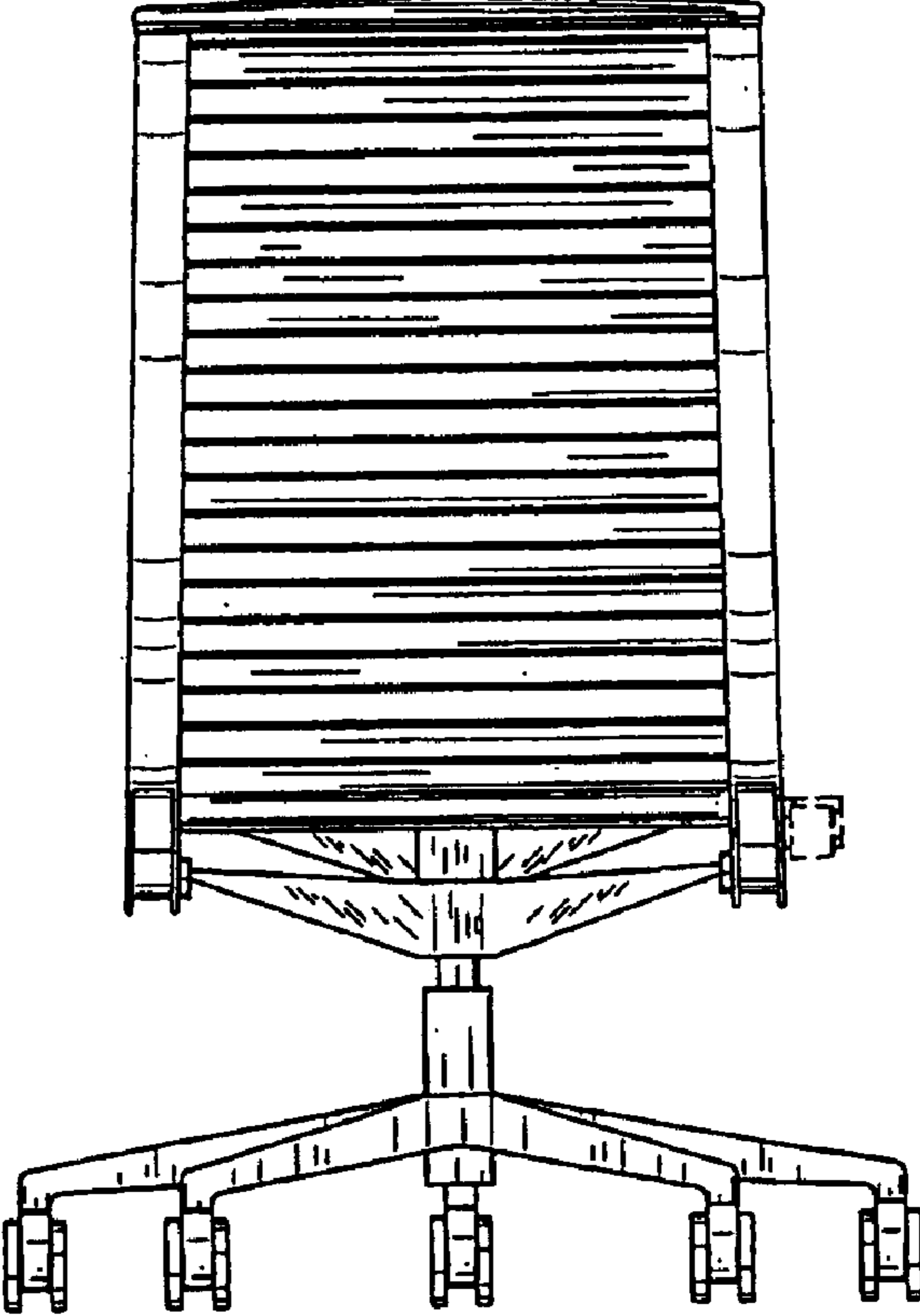


FIG. 6

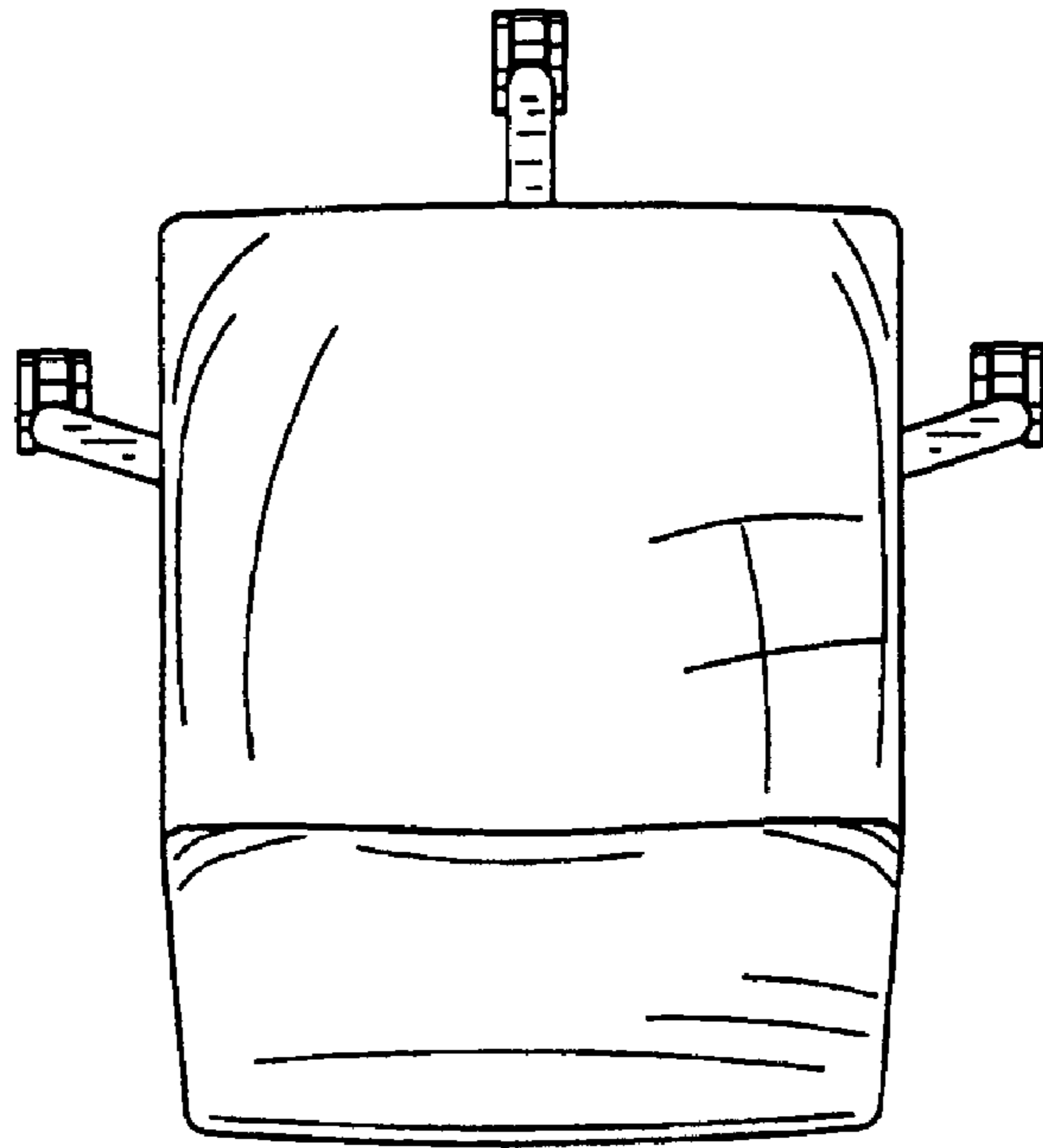


FIG. 7

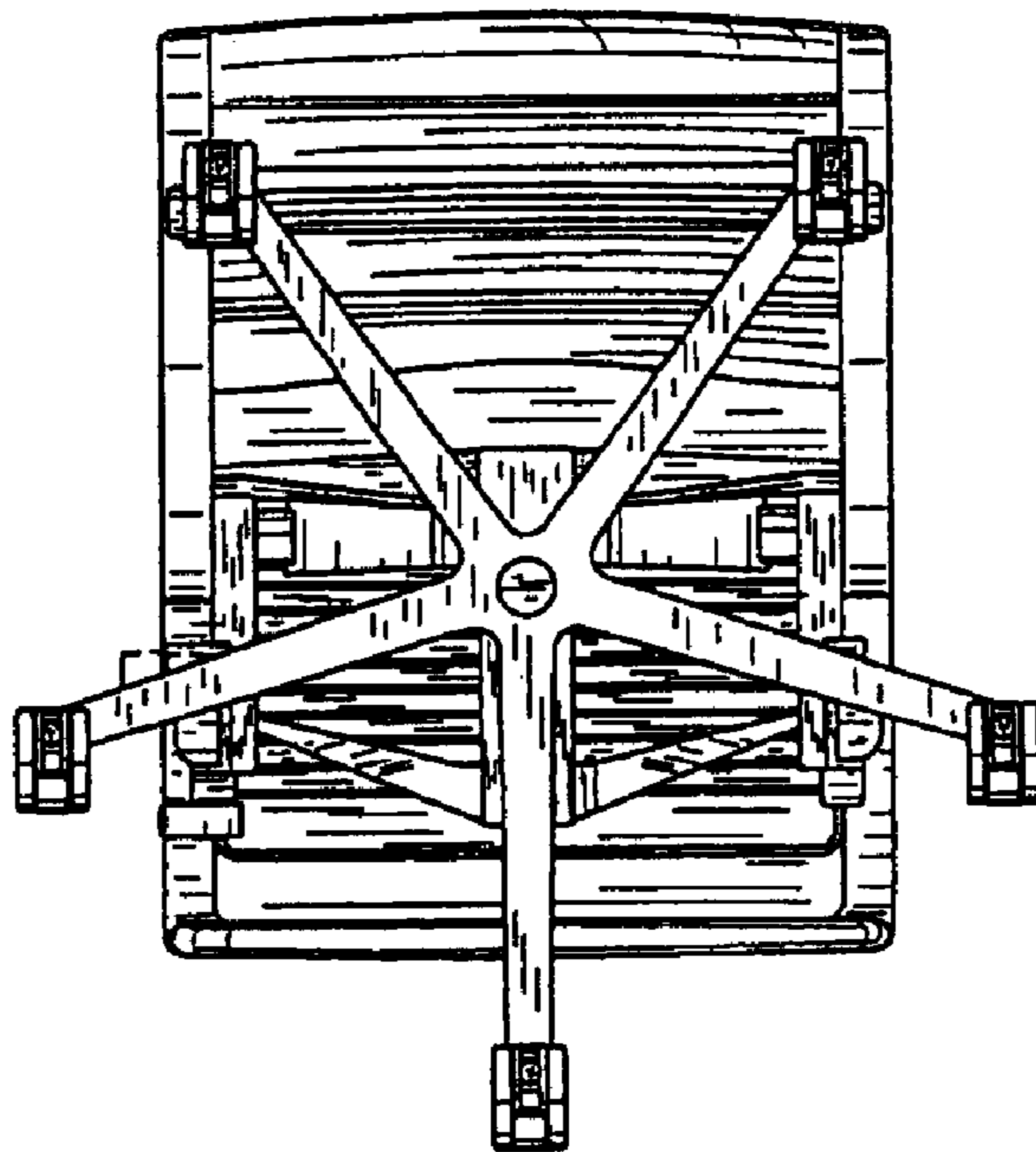


FIG. 8

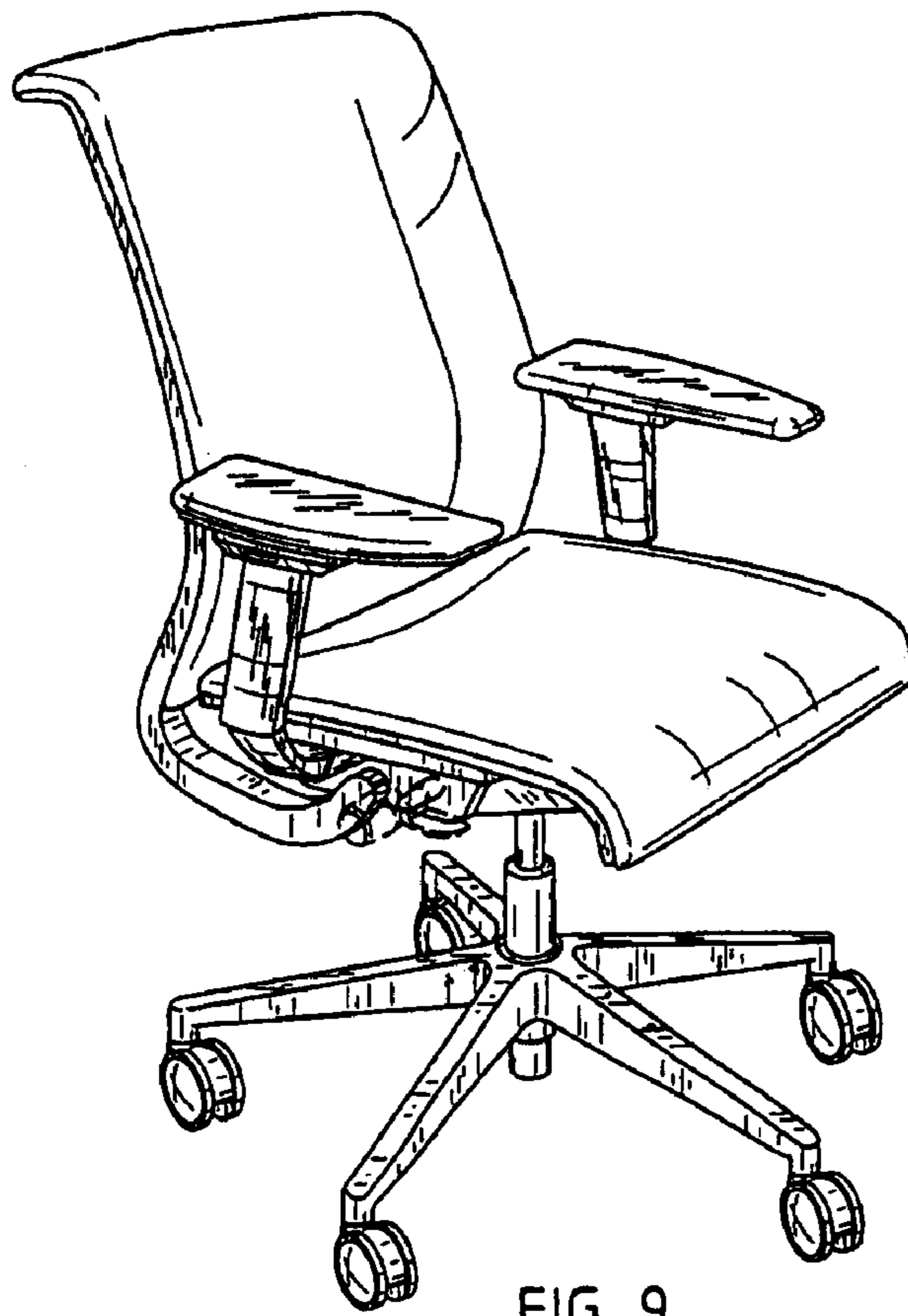


FIG. 9

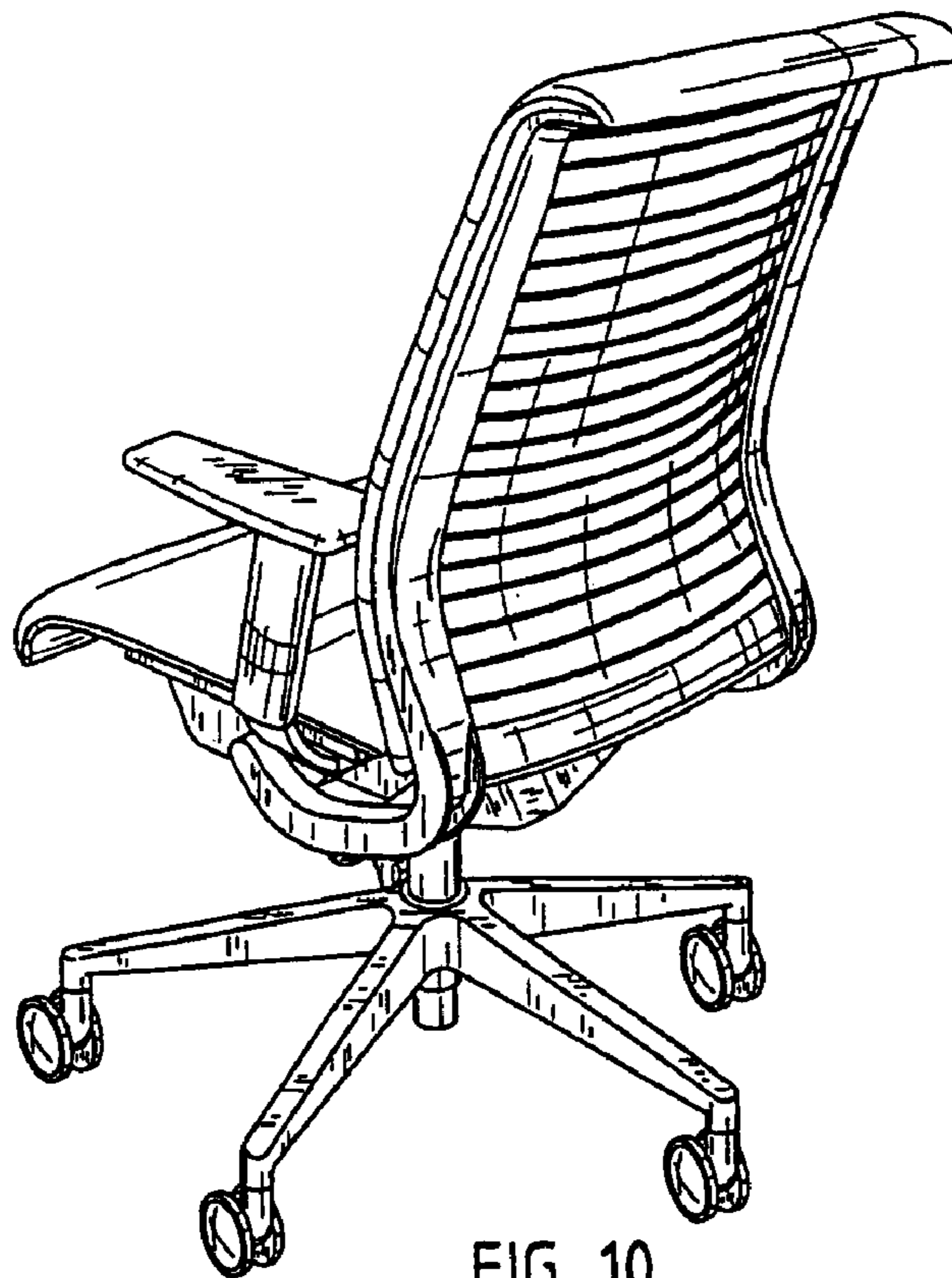


FIG. 10

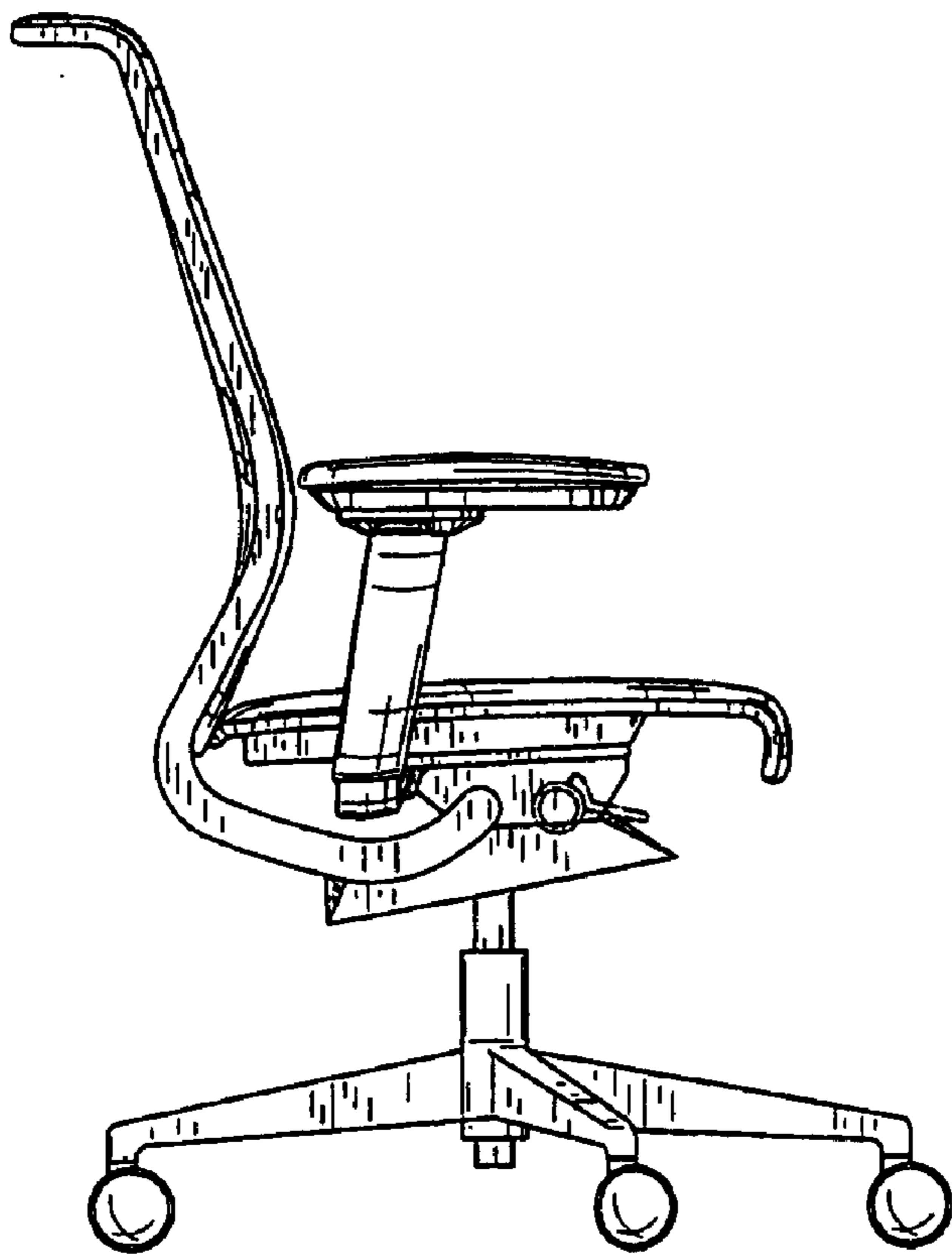


FIG. 11

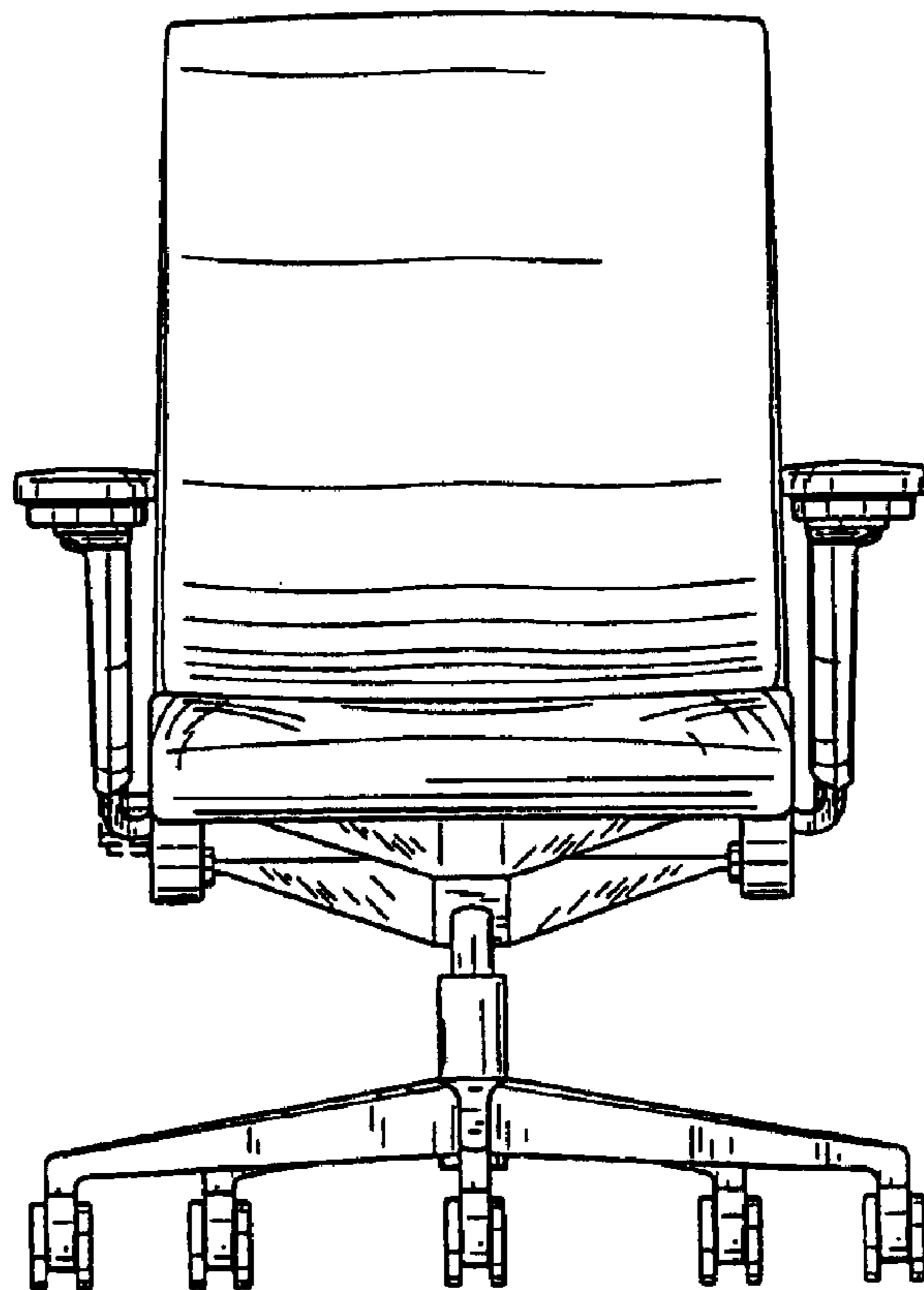


FIG. 12

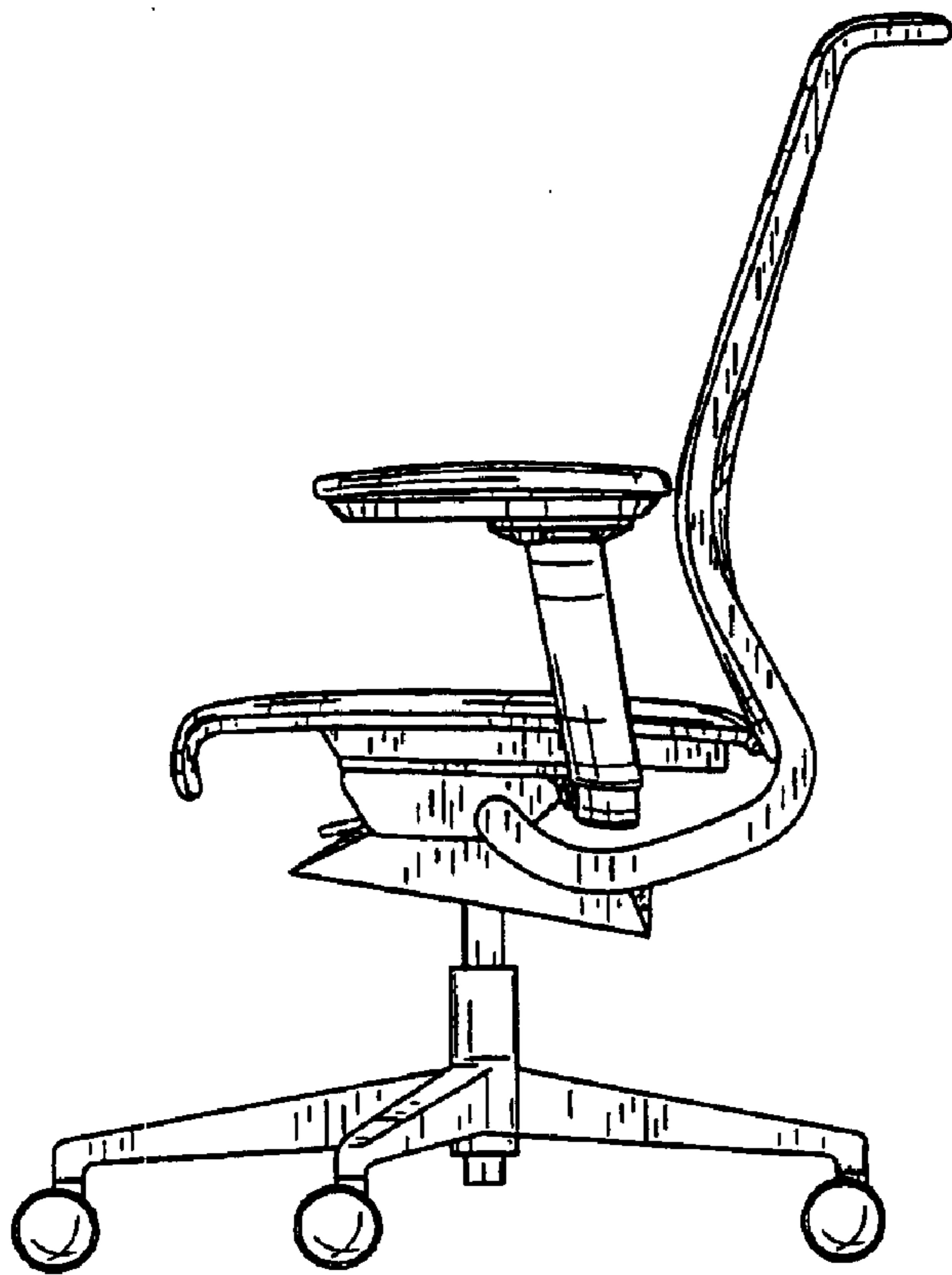


FIG. 13

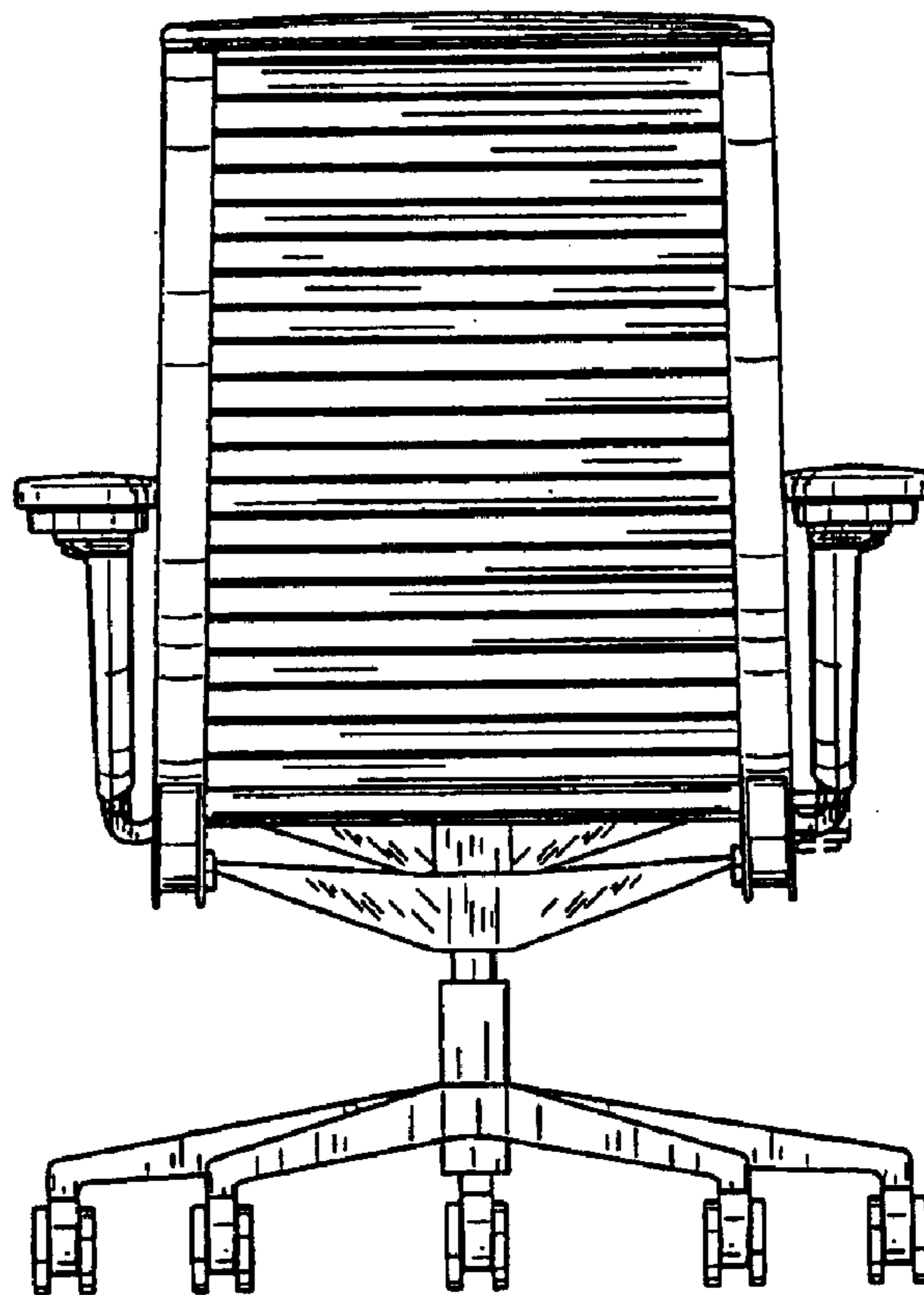


FIG. 14

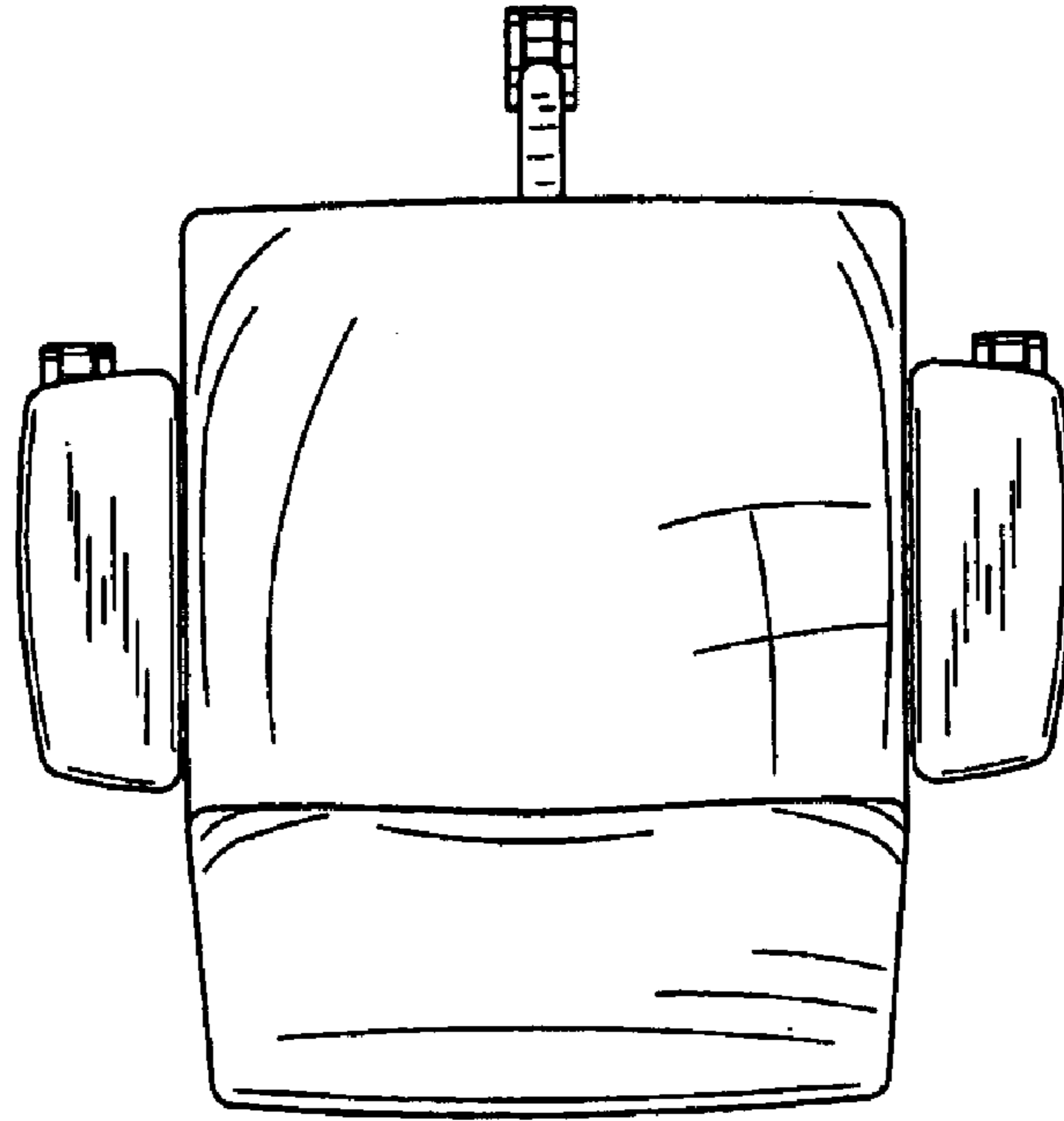


FIG. 15

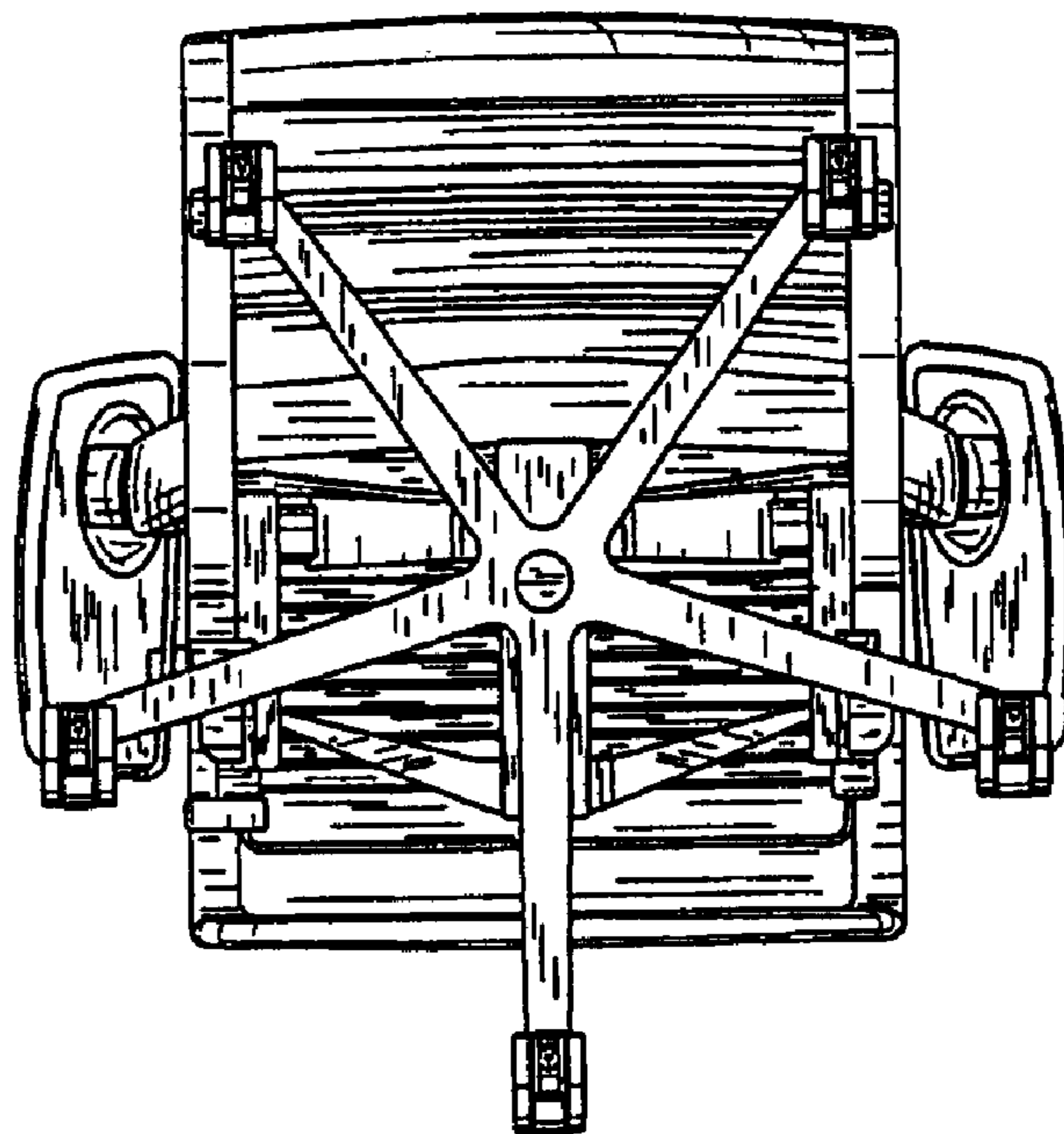


FIG. 16

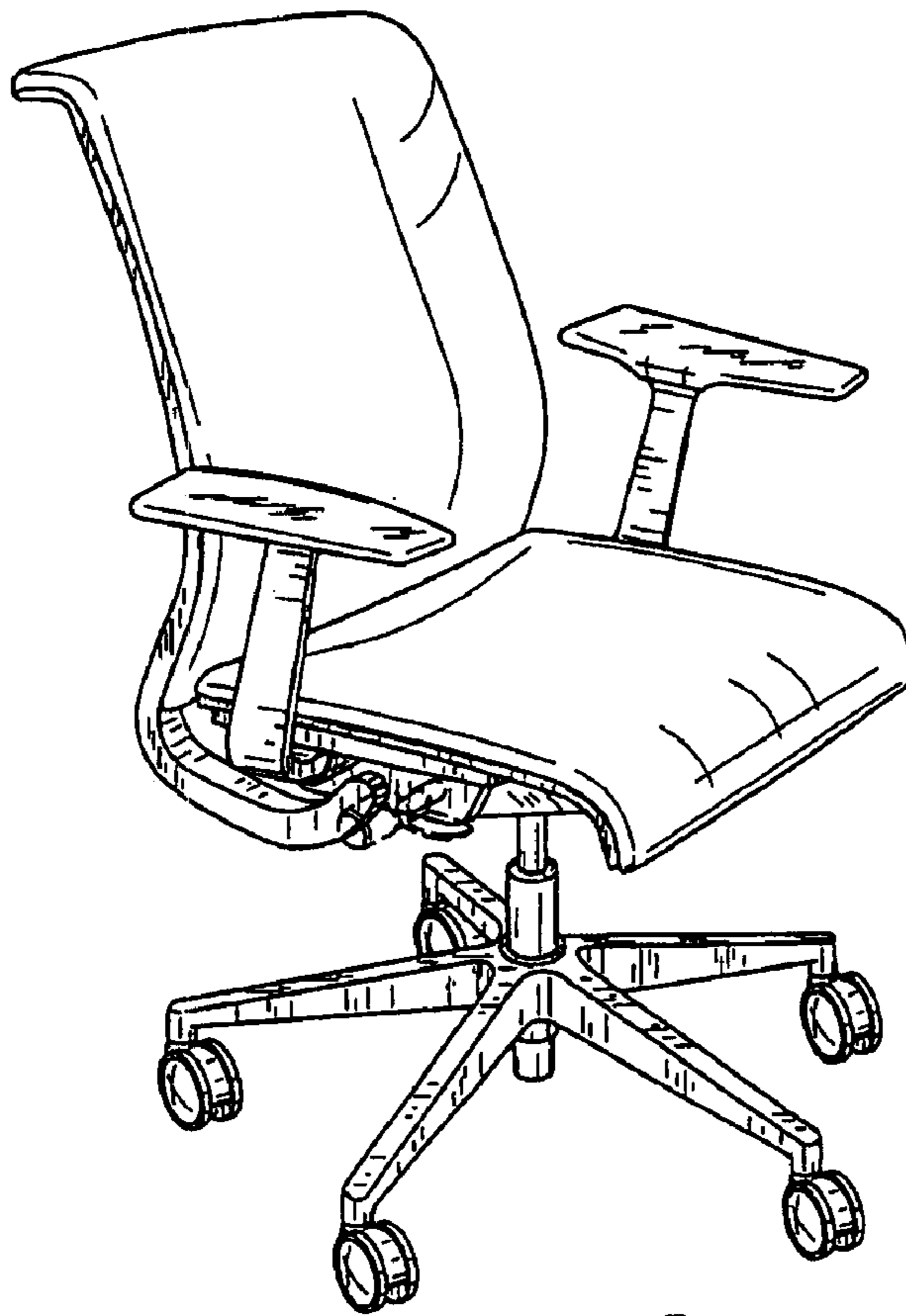


FIG. 17

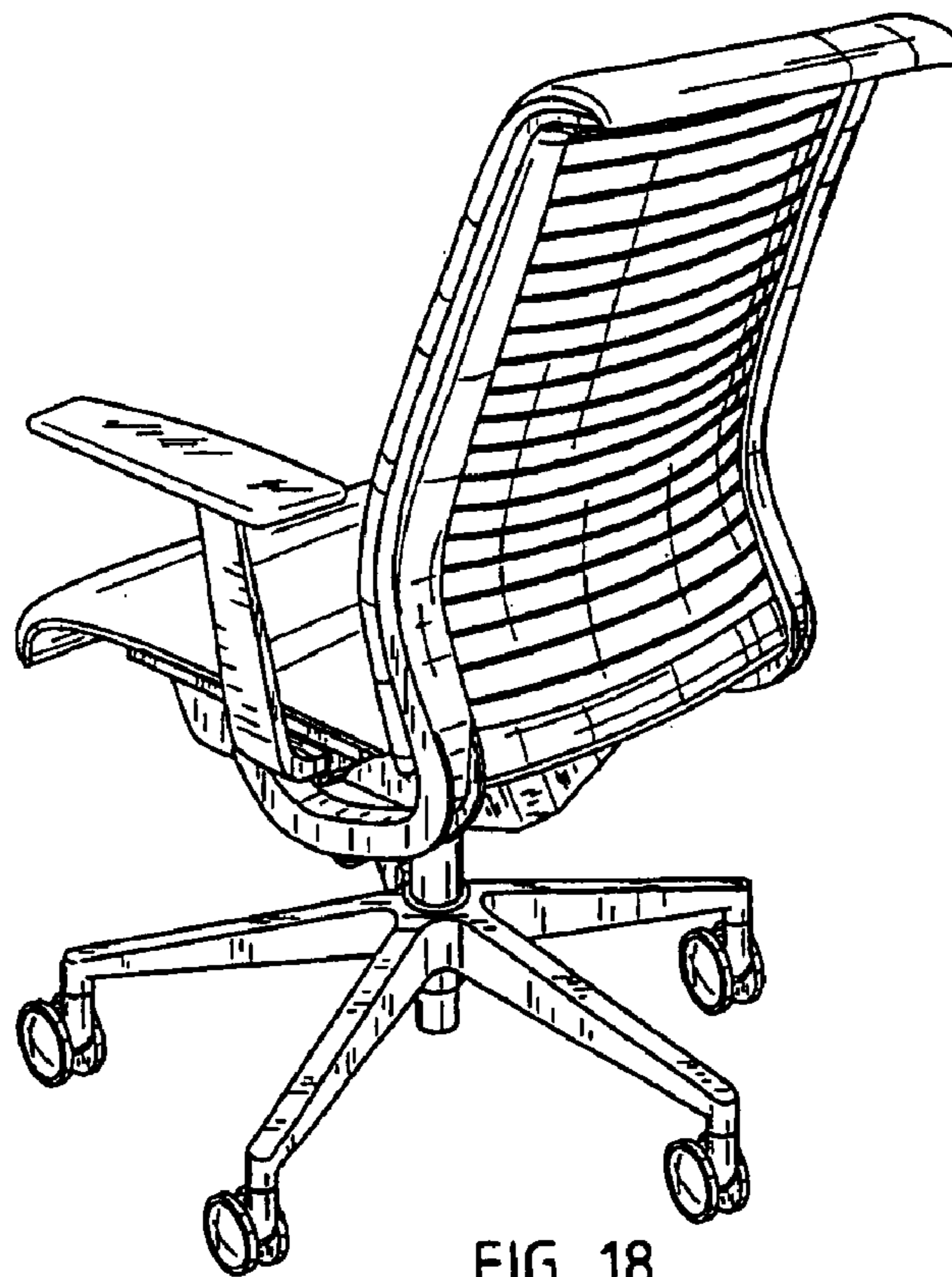


FIG. 18

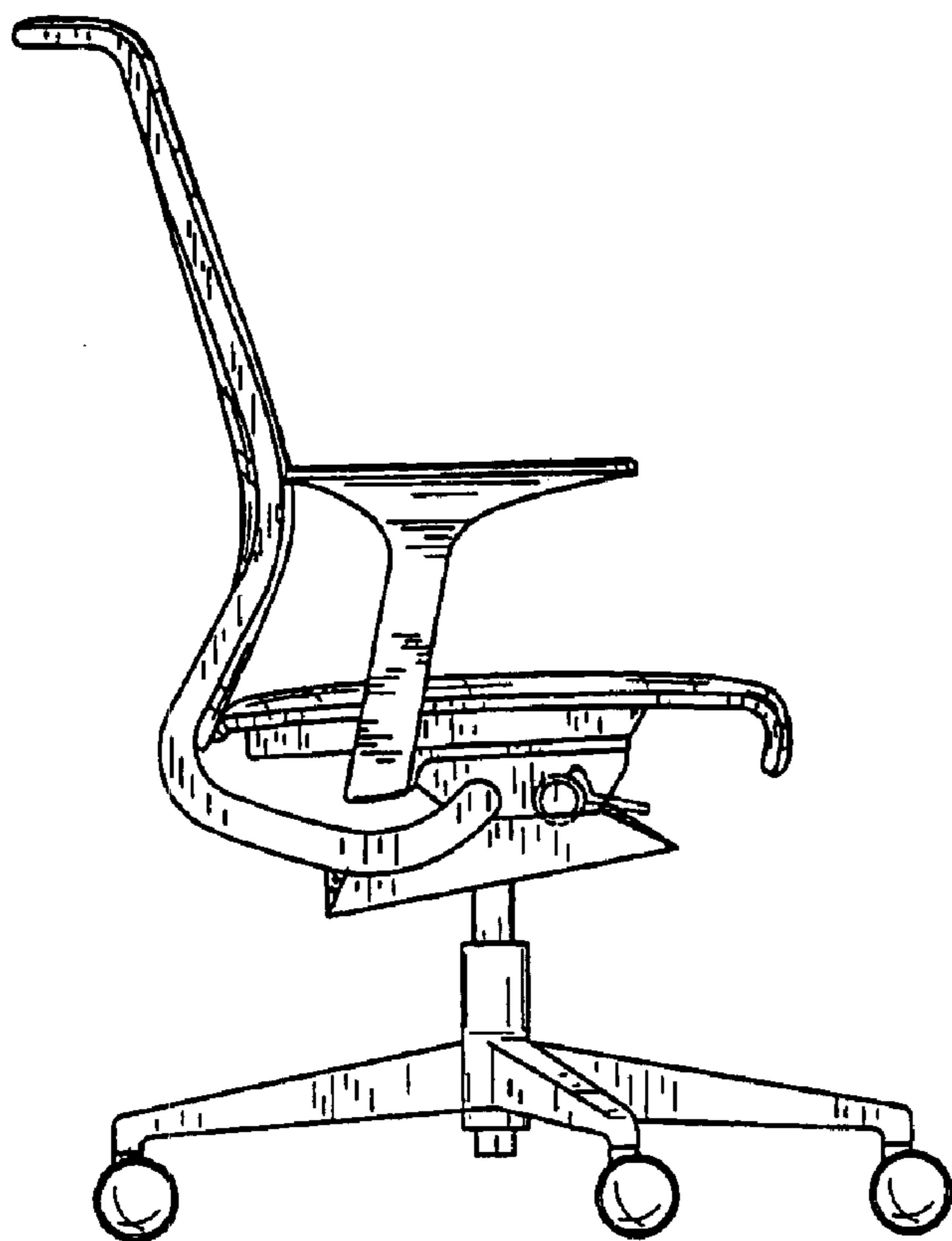


FIG. 19

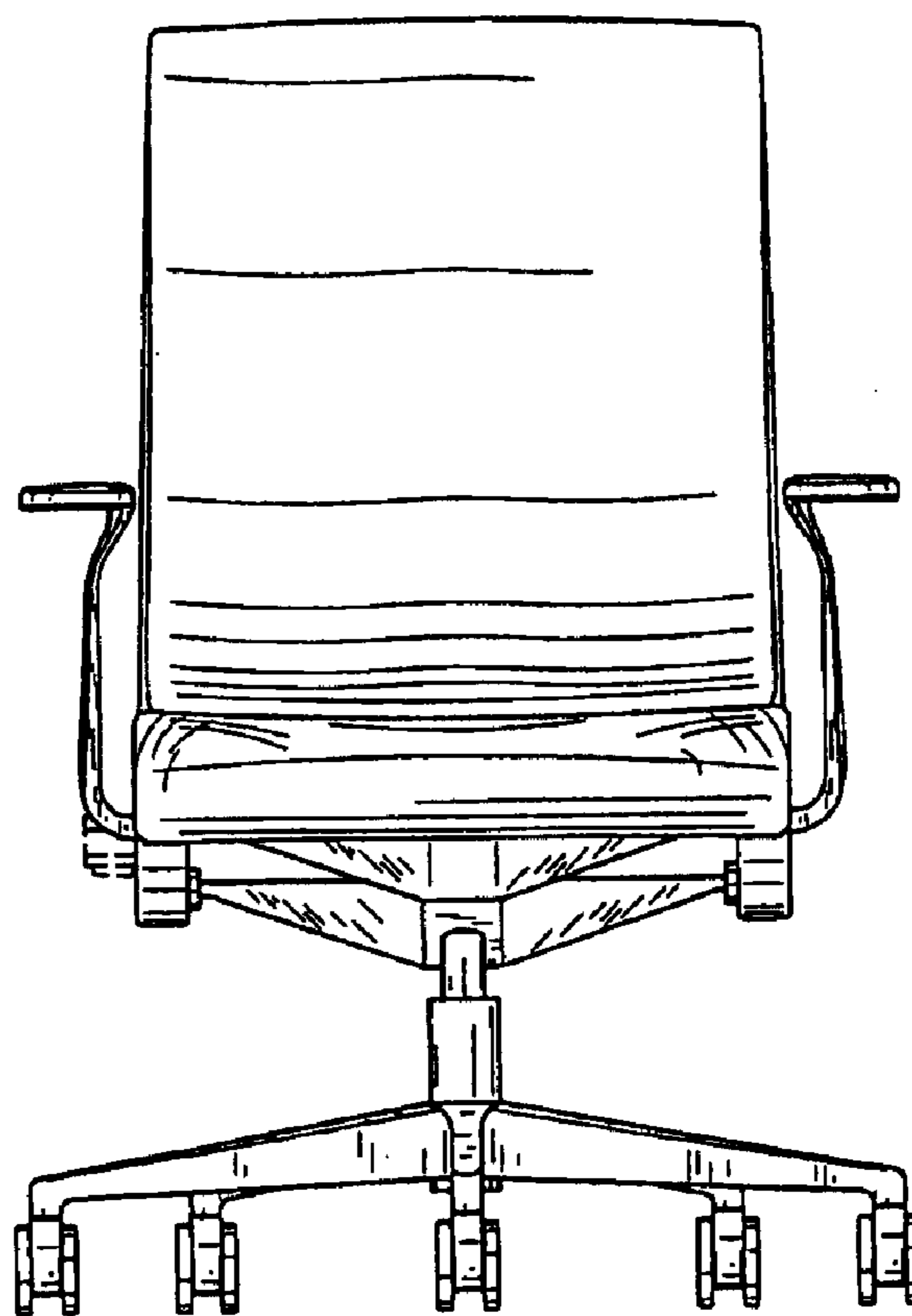


FIG. 20

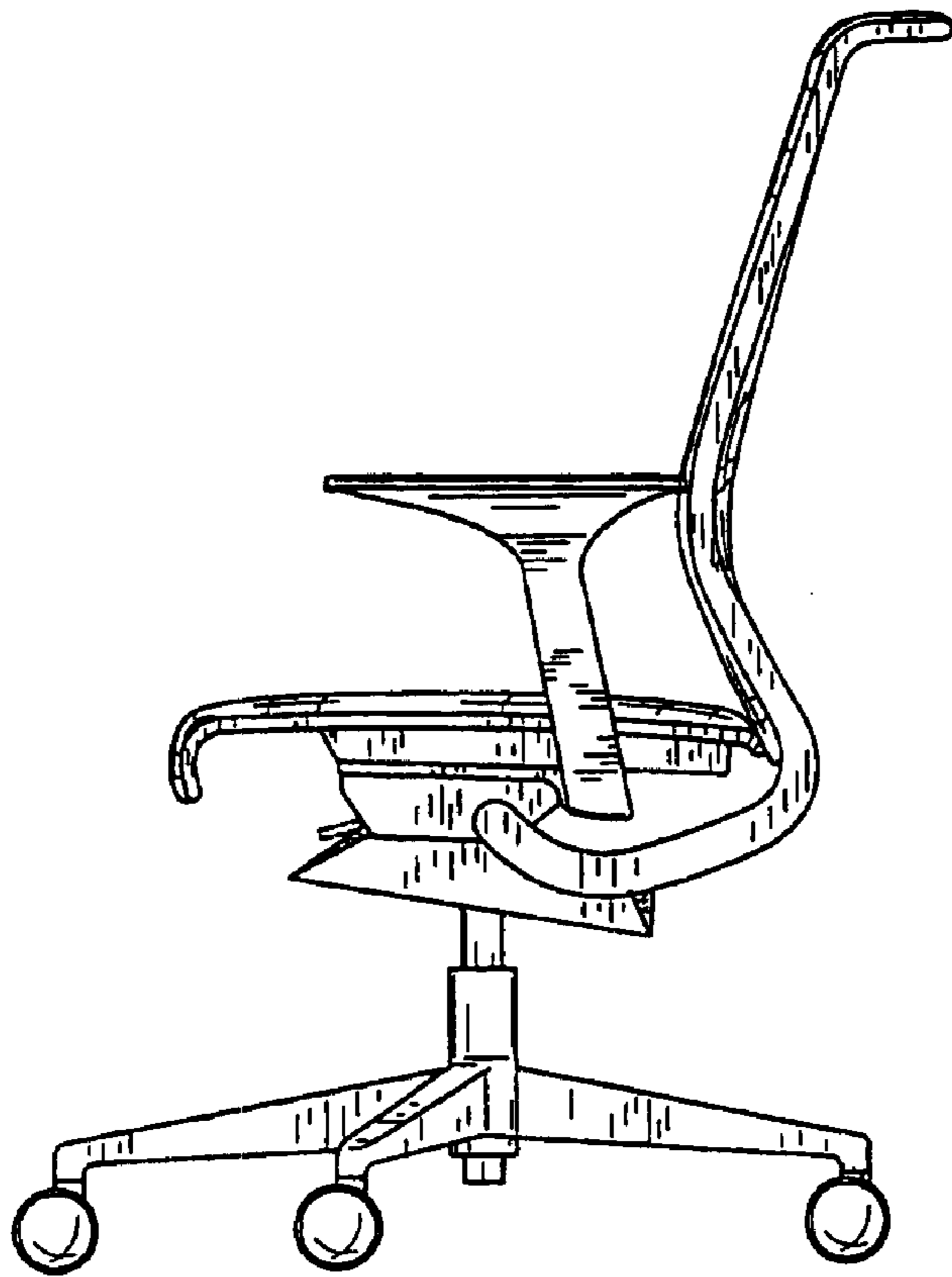


FIG. 21

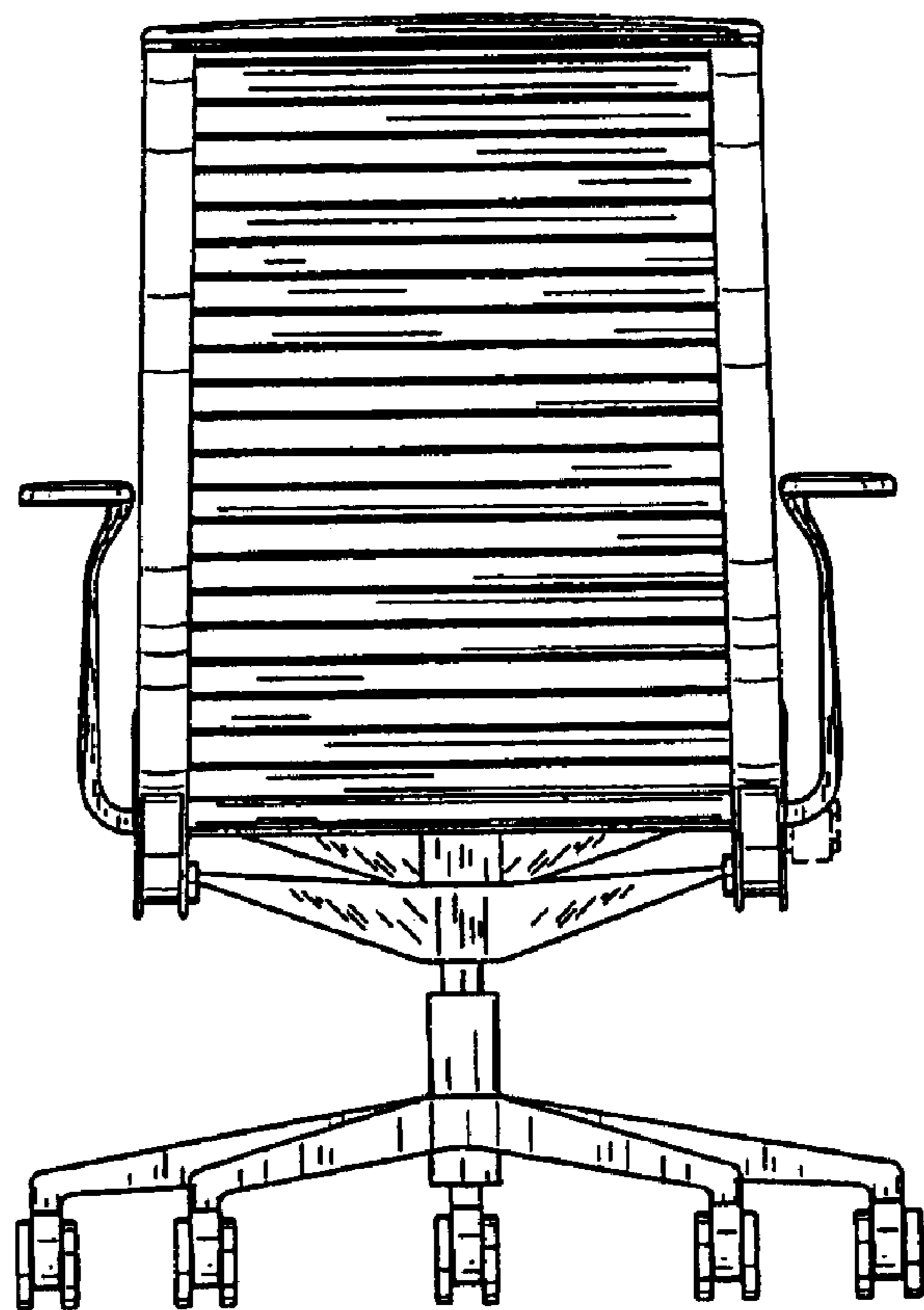


FIG. 22

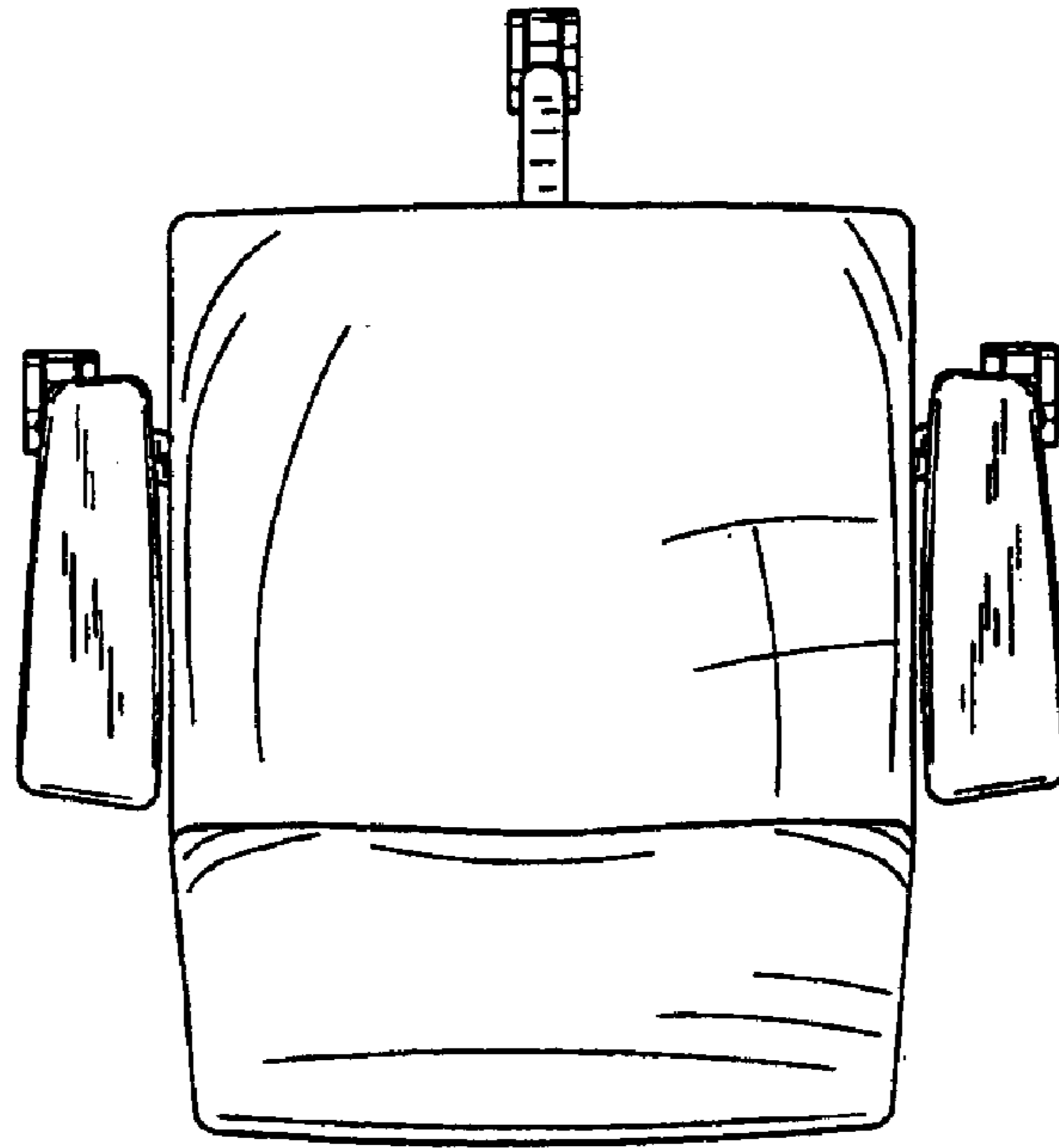


FIG. 23

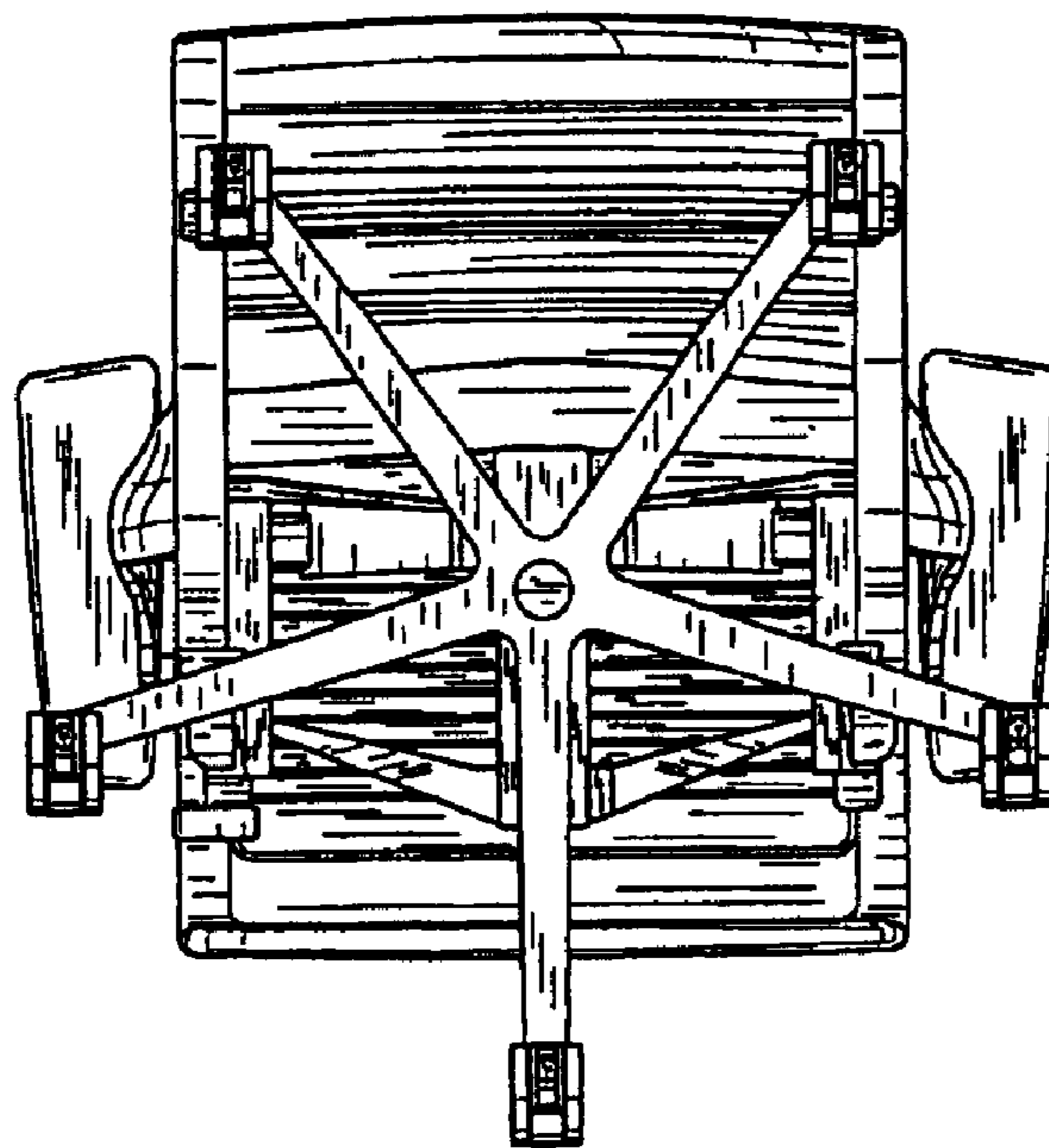


FIG. 24