



US00D536889S

(12) **United States Design Patent**
Self et al.

(10) **Patent No.:** **US D536,889 S**

(45) **Date of Patent:** **** Feb. 20, 2007**

(54) **FOLDABLE SHOWER SEAT**

(75) Inventors: **James Edward Self**, Colby (GB);
Graham Robin Lock, Glen Vine (GB)

(73) Assignee: **DLP Limited**, British Isles (GB)

(**) Term: **14 Years**

(21) Appl. No.: **29/238,802**

(22) Filed: **Sep. 22, 2005**

(30) **Foreign Application Priority Data**

Jul. 12, 2005 (GB) 3021810

(51) **LOC (8) Cl.** **06-01**

(52) **U.S. Cl.** **D6/362**

(58) **Field of Classification Search** D6/334-336,
D6/349, 355, 362, 367, 368, 370, 378, 500-502,
D6/553, 555, 567; 297/4, 14, 16.1, 130, 252,
297/256.15, 331; 4/578.1, 579, 611, 614,
4/297; 108/44, 116, 129, 134; 182/91, 187,
182/188; 248/220.1, 240, 240.1
See application file for complete search history.

(56) **References Cited**

U.S. PATENT DOCUMENTS

3,067,975 A * 12/1962 Wilcox 108/116
5,967,255 A * 10/1999 Young 182/91

D494,767 S * 8/2004 Self et al. D6/362
D495,506 S * 9/2004 Self et al. D6/362
D501,611 S * 2/2005 Self et al. D6/362
D510,487 S * 10/2005 Self et al. D6/362
7,080,417 B2 * 7/2006 Jiang 4/578.1

* cited by examiner

Primary Examiner—Mimosa De

(74) *Attorney, Agent, or Firm*—Young & Thompson

(57) **CLAIM**

The ornamental design for a foldable shower seat, as shown and described.

DESCRIPTION

FIG. 1 is a top, front and side perspective view of a first embodiment of a foldable shower seat, showing our new design;

FIG. 2 is a front elevational view thereof;

FIG. 3 is a side elevational view thereof from the right of FIG. 2, the side opposite that shown in FIG. 3 being the mirror image thereof;

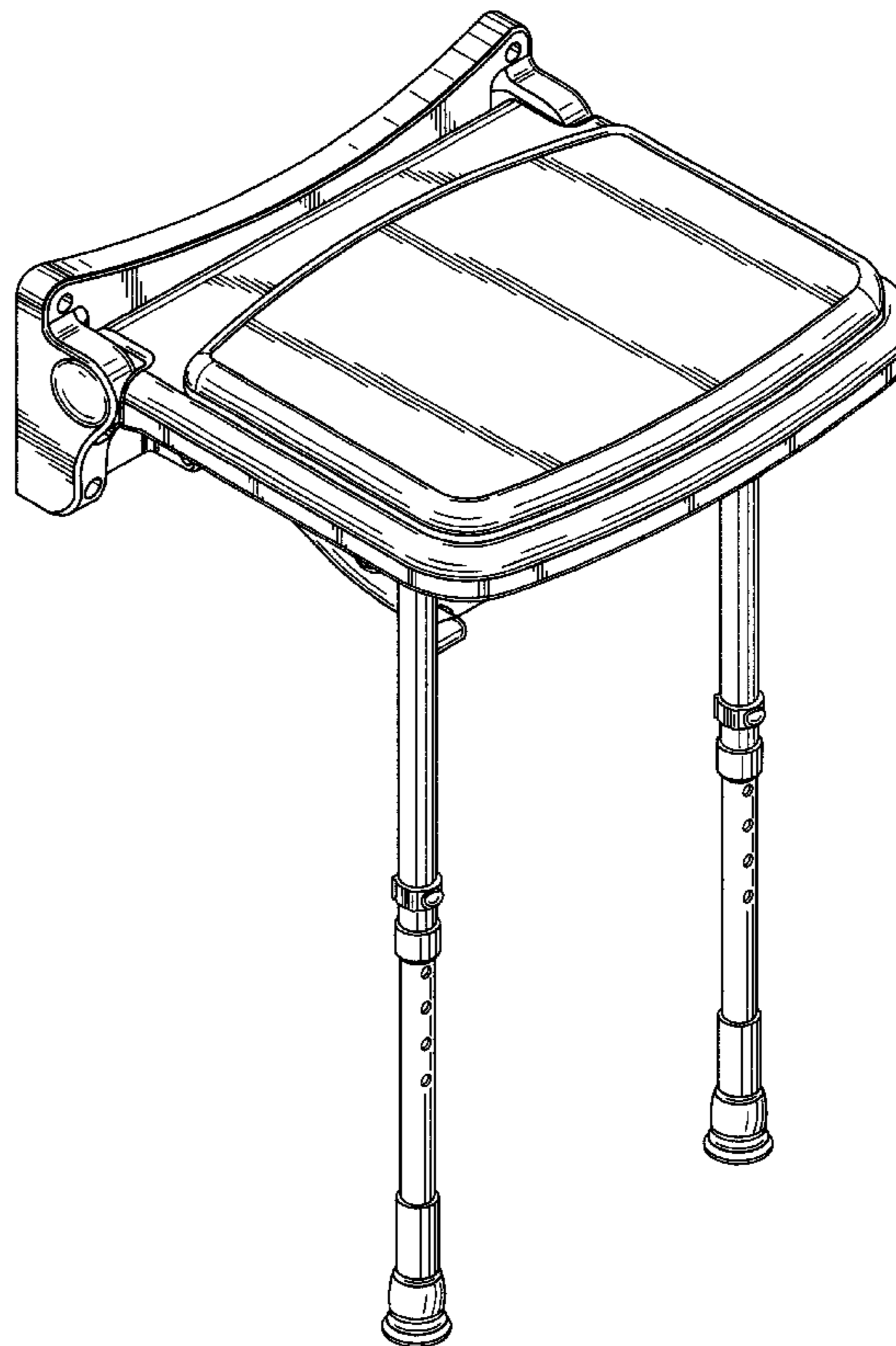
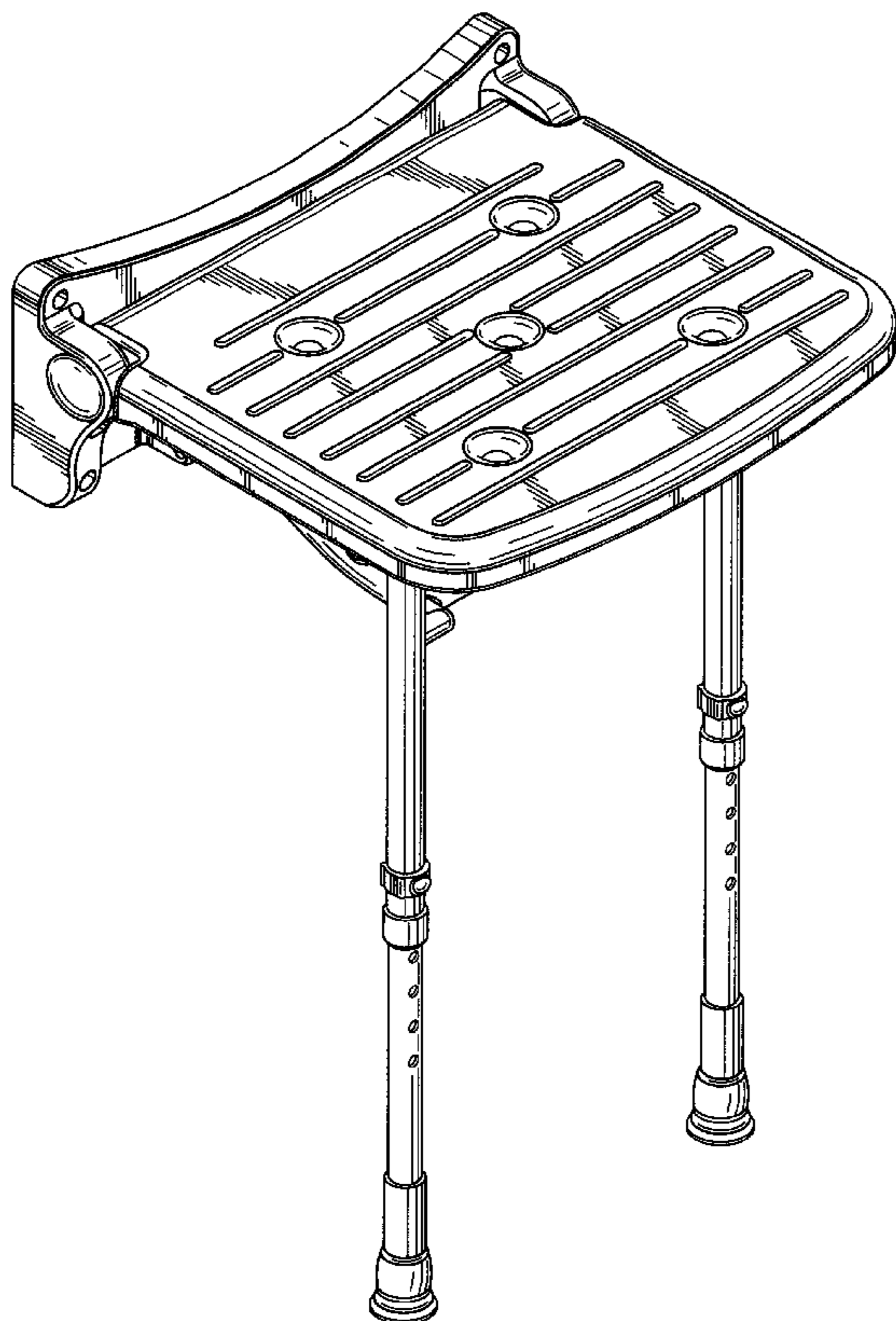
FIG. 4 is a rear elevational view thereof;

FIG. 5 is a top plan view thereof;

FIG. 6 is a view similar to FIG. 1 but showing the parts in a different position; and,

FIG. 7 is a perspective view of a second embodiment, which is similar to FIG. 1 but with a cushion applied to the seat.

1 Claim, 7 Drawing Sheets



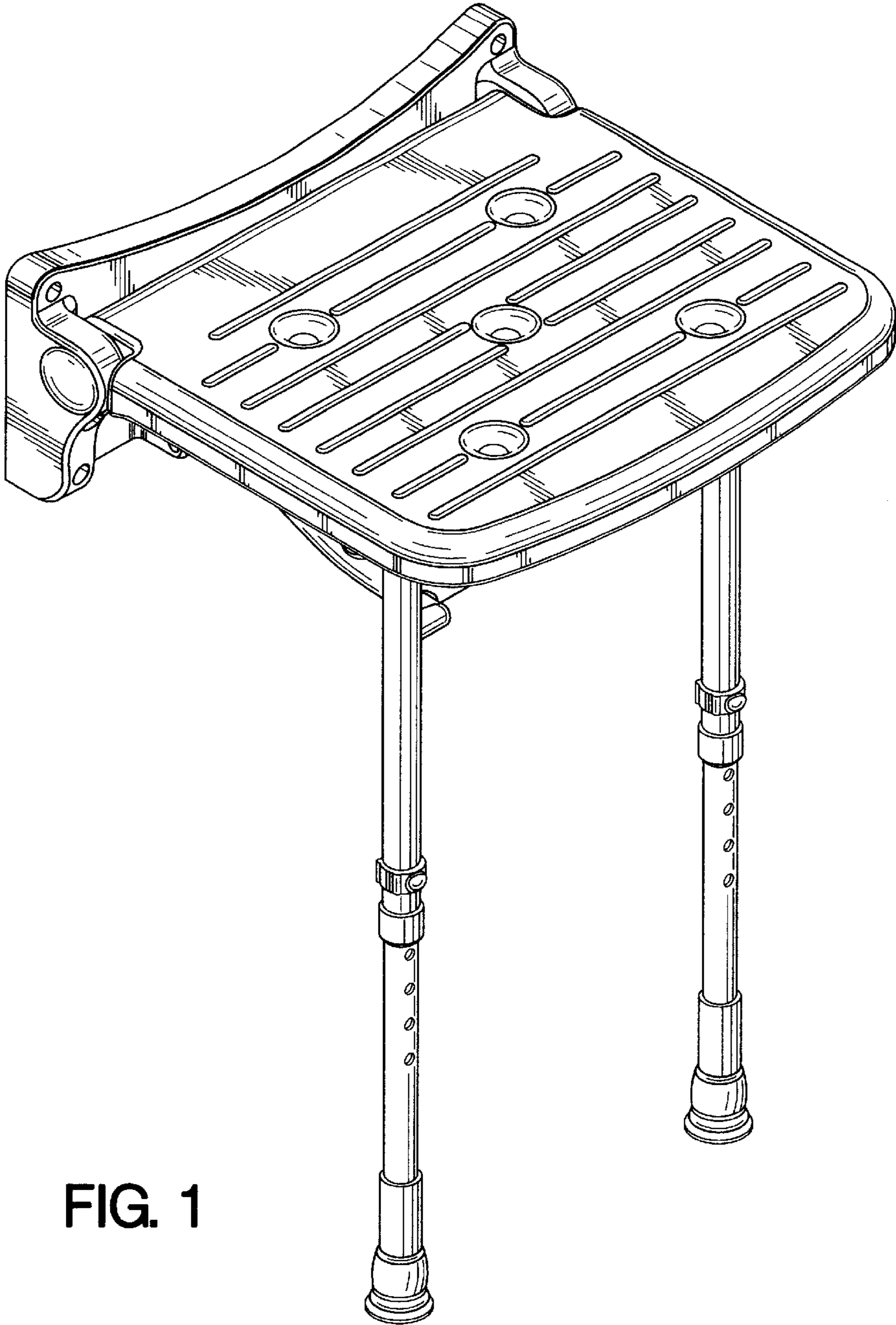


FIG. 1

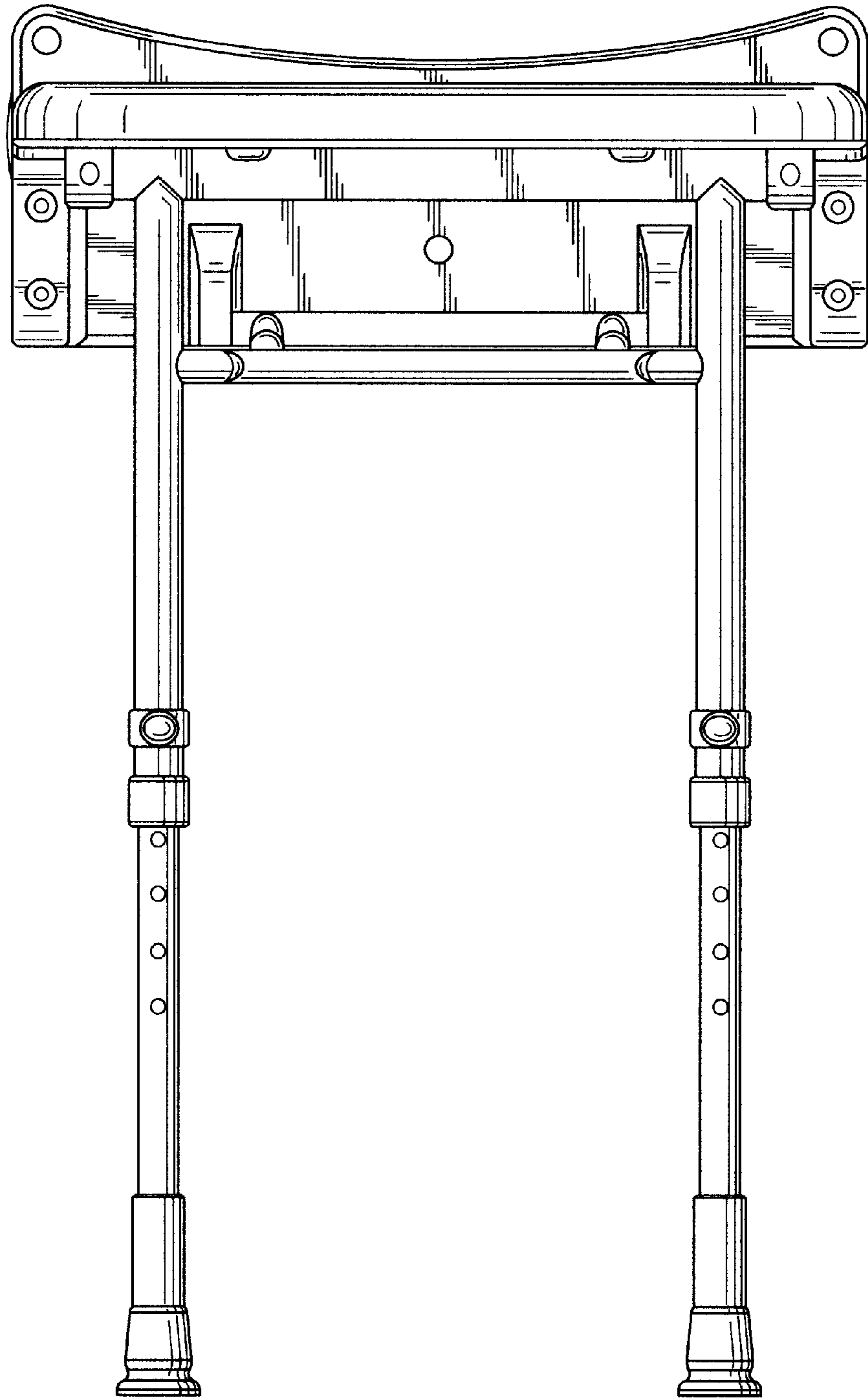


FIG. 2

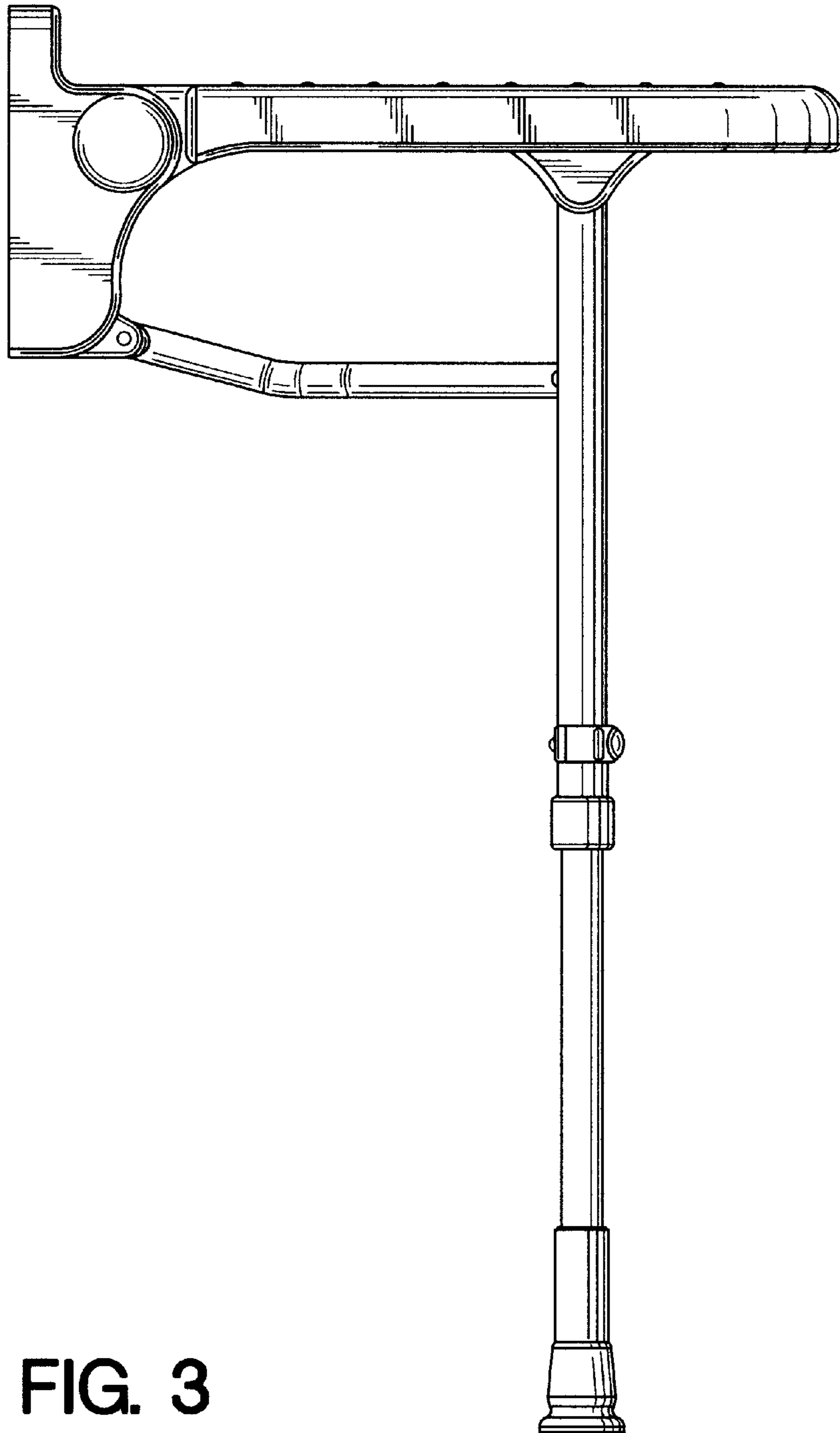


FIG. 3

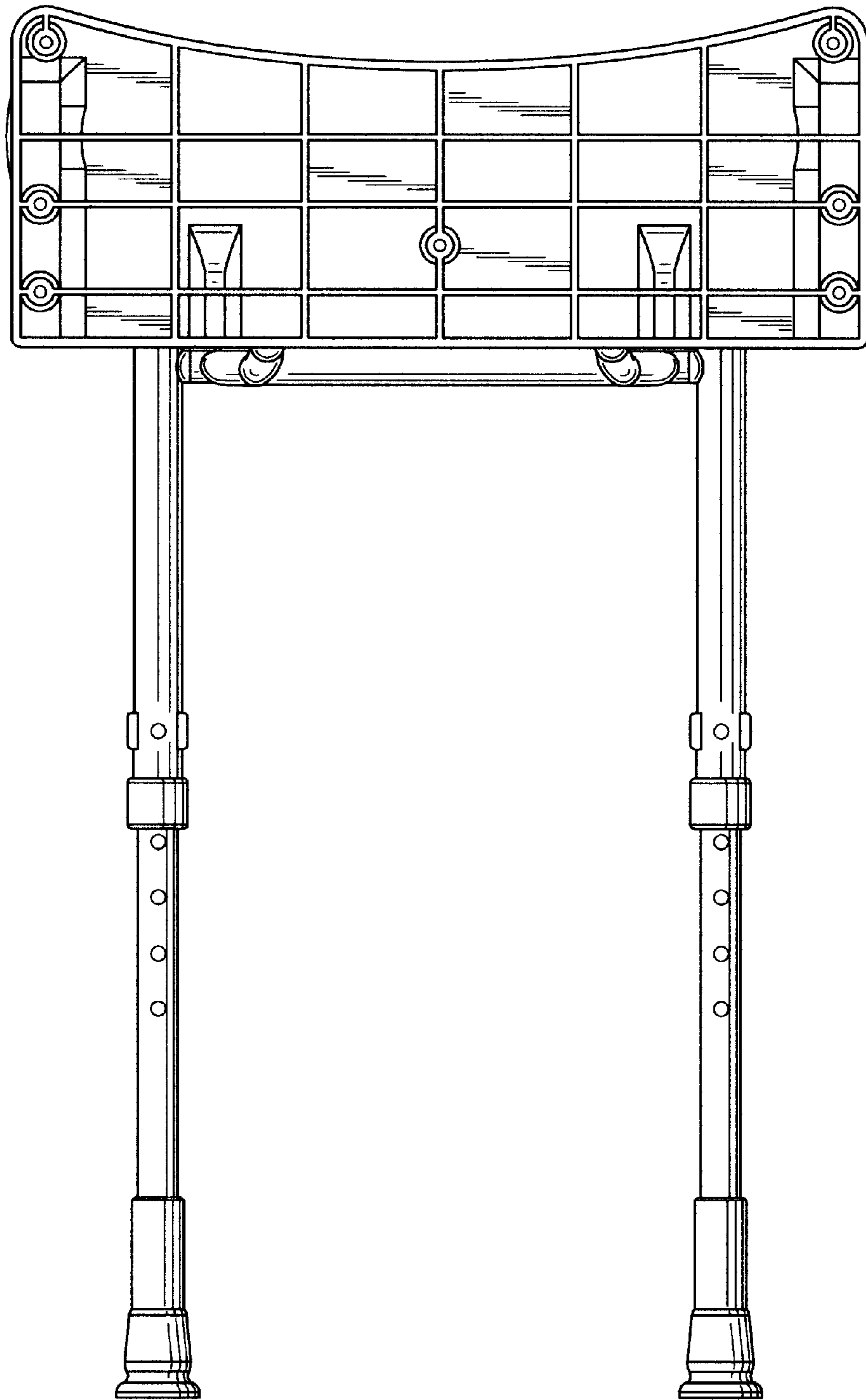


FIG. 4

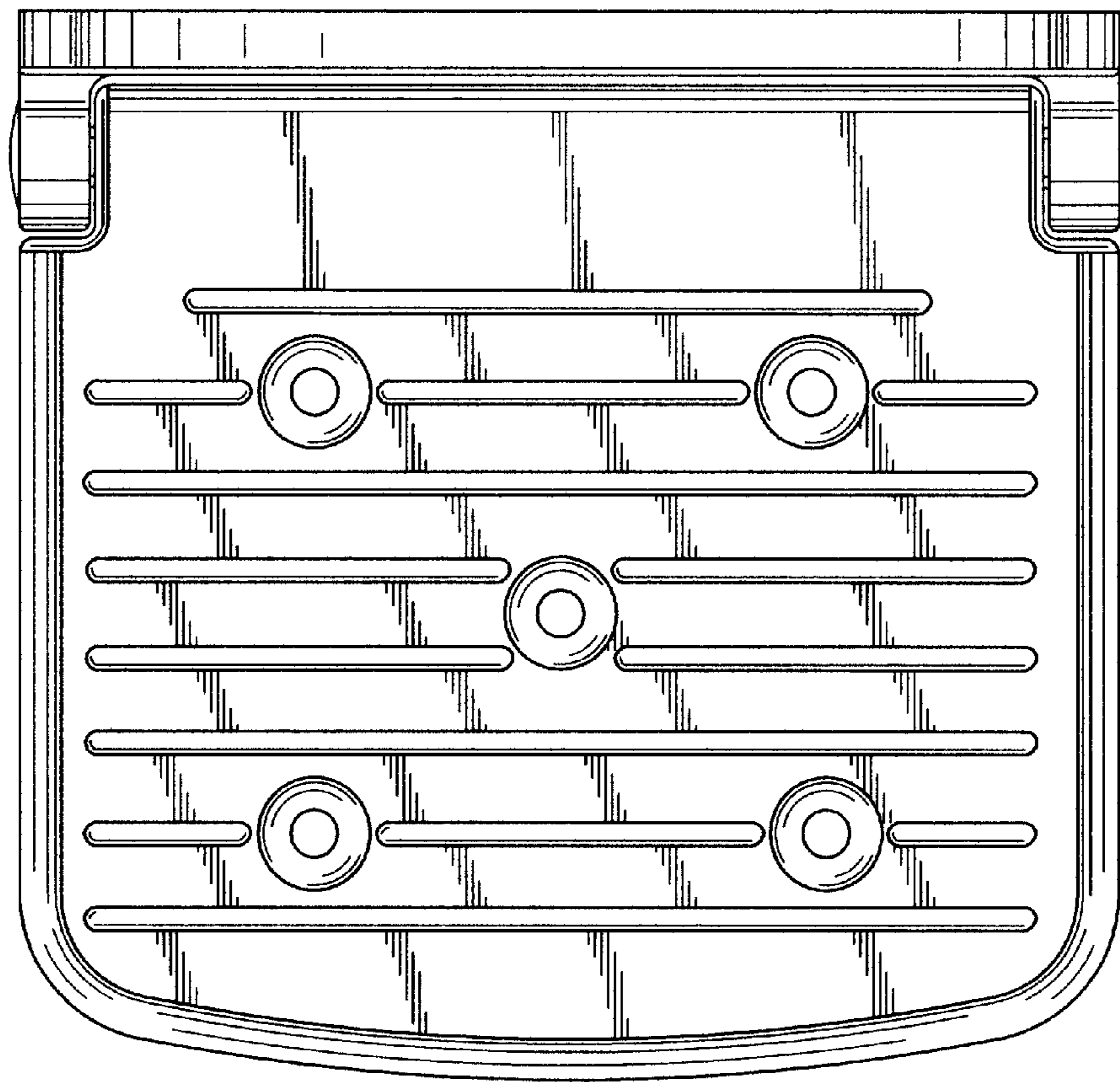


FIG. 5

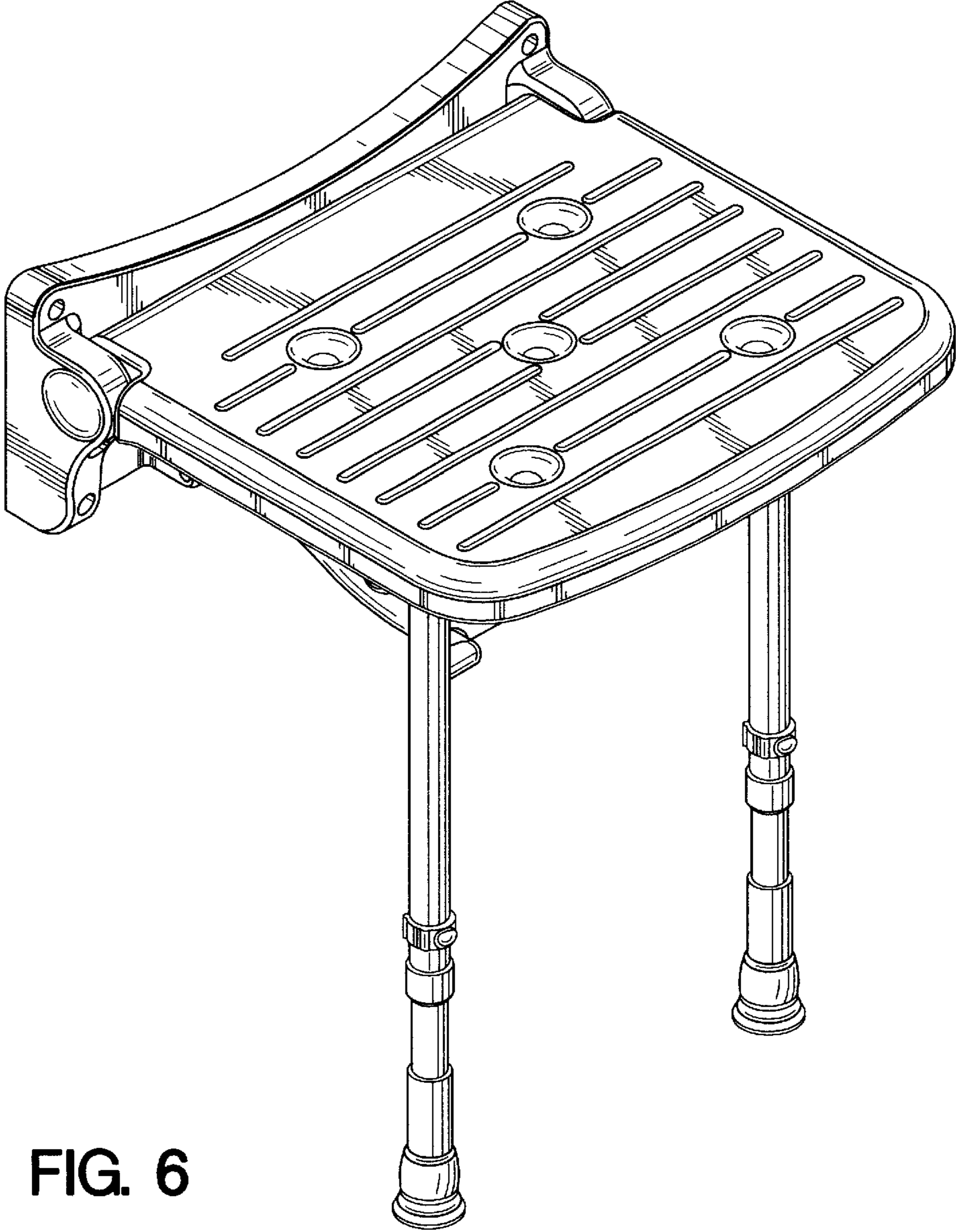


FIG. 6

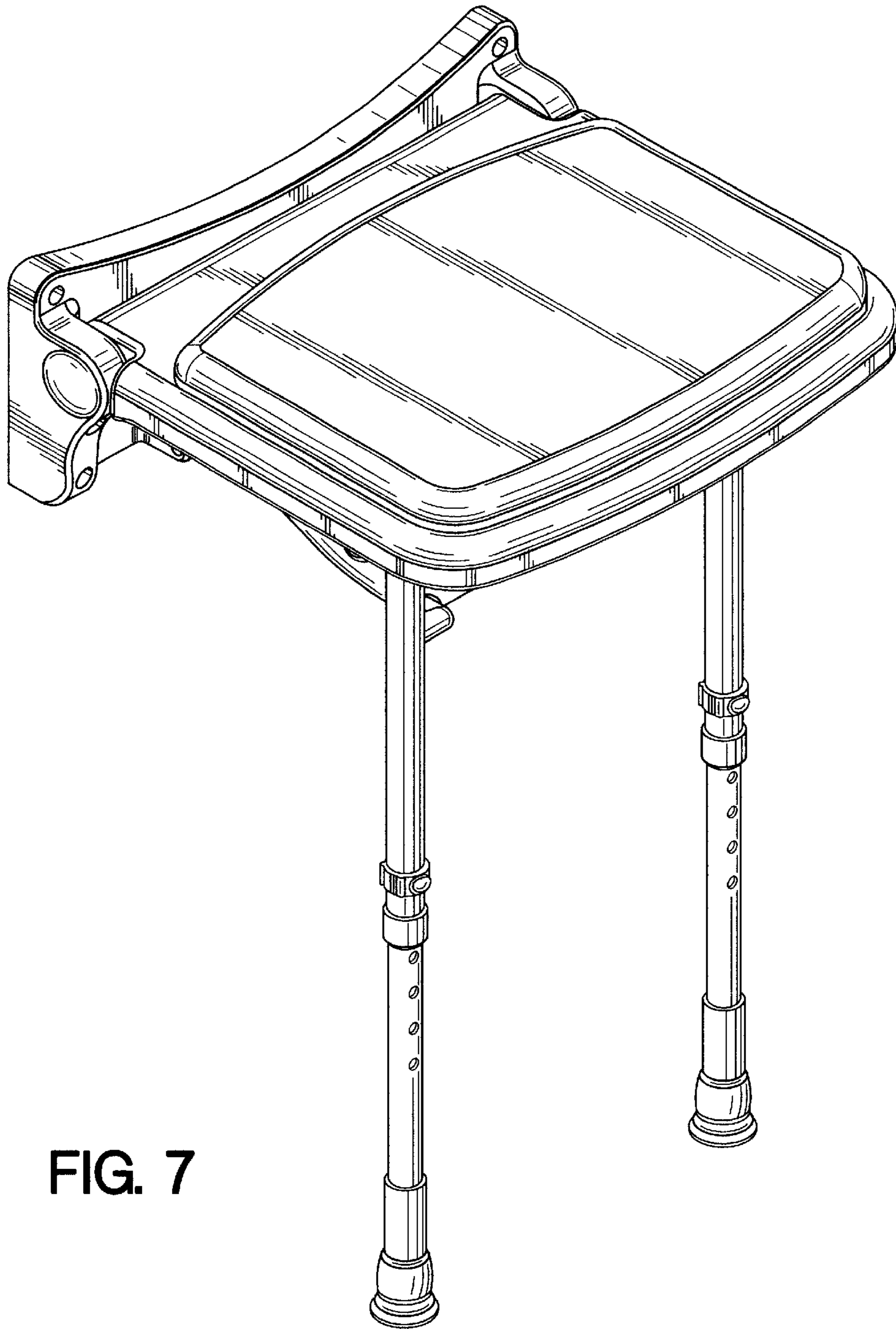


FIG. 7