



US00D536886S

(12) **United States Design Patent**
Hart

(10) **Patent No.:** **US D536,886 S**

(45) **Date of Patent:** **** Feb. 20, 2007**

(54) **COMBINATION CHAIR AND FOLDING TABLE**

(75) Inventor: **Robert D. Hart**, Red Lodge, MT (US)

(73) Assignee: **Crazy Creek Products, Inc.**, Red Lodge, MT (US)

(**) Term: **14 Years**

(21) Appl. No.: **29/234,793**

(22) Filed: **Jul. 22, 2005**

(51) **LOC (8) Cl.** **06-01**

(52) **U.S. Cl.** **D6/336**

(58) **Field of Classification Search** D6/334–336,
D6/349, 358, 353, 356, 360, 377, 364–366,
D6/368–370, 379–381, 500–502; 297/16.1,
297/68, 452.1, 452.2, 461, 118; D11/149;
5/12.1, 653, 655.3

See application file for complete search history.

(56) **References Cited**

U.S. PATENT DOCUMENTS

1,925,246	A	*	9/1933	Hayes	297/45
2,096,237	A	*	10/1937	Frey	297/45
2,493,682	A	*	1/1950	Meehan	297/45
3,331,629	A	*	7/1967	Munson et al.	297/45
3,730,584	A	*	5/1973	Uchida	297/45
4,105,244	A	*	8/1978	Colby	297/45
D268,630	S	*	4/1983	Wilson	D6/360
4,566,731	A	*	1/1986	Marchesini	297/45
5,037,116	A	*	8/1991	Desanta	297/39
5,350,215	A	*	9/1994	DeMars	297/188.14
5,413,400	A	*	5/1995	Llanes	297/154

5,507,548	A	*	4/1996	Marhefka	297/45
5,570,928	A	*	11/1996	Staunton et al.	297/232
D376,848	S	*	12/1996	Zeilig et al.	D24/111
5,873,624	A	*	2/1999	Simpson	297/45
6,082,813	A	*	7/2000	Chen	297/16.2
D430,976	S	*	9/2000	Tow	D6/374
6,247,748	B1	*	6/2001	Zheng	297/16.2
6,364,411	B1	*	4/2002	Zheng	297/173
D456,628	S	*	5/2002	Satoshi	D6/368
6,439,659	B1	*	8/2002	Neubauer, Jr.	297/188.01
6,540,290	B2	*	4/2003	Liu	297/45
6,550,855	B2	*	4/2003	Liu	297/42
6,871,911	B2	*	3/2005	Alexander, Jr.	297/344.18
D522,263	S	*	6/2006	Hart	D6/368

* cited by examiner

Primary Examiner—Sandra S. Snapp
(74) *Attorney, Agent, or Firm*—Blackwell Sanders Peper Martin LLP

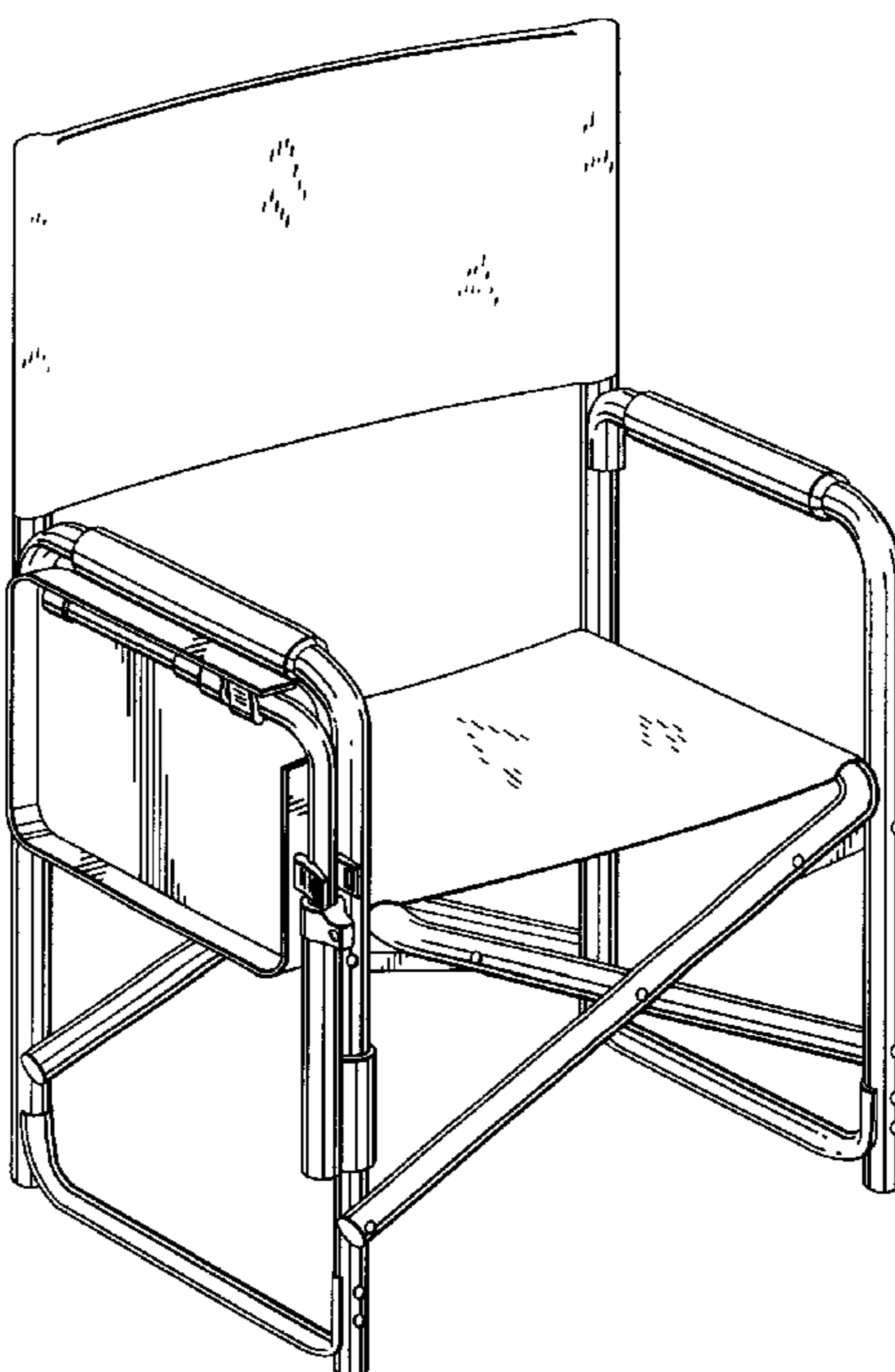
(57) **CLAIM**

The ornamental design for a combination chair and folding table, as shown and described.

DESCRIPTION

FIG. 1 is a perspective view of the design of a combination chair and folding table;
FIG. 2 is a left side elevational view thereof;
FIG. 3 is a right side elevational view thereof;
FIG. 4 is a front elevational view thereof;
FIG. 5 is a rear elevational view thereof;
FIG. 6 is a top plan view thereof; and,
FIG. 7 is a bottom plan view thereof.

1 Claim, 4 Drawing Sheets



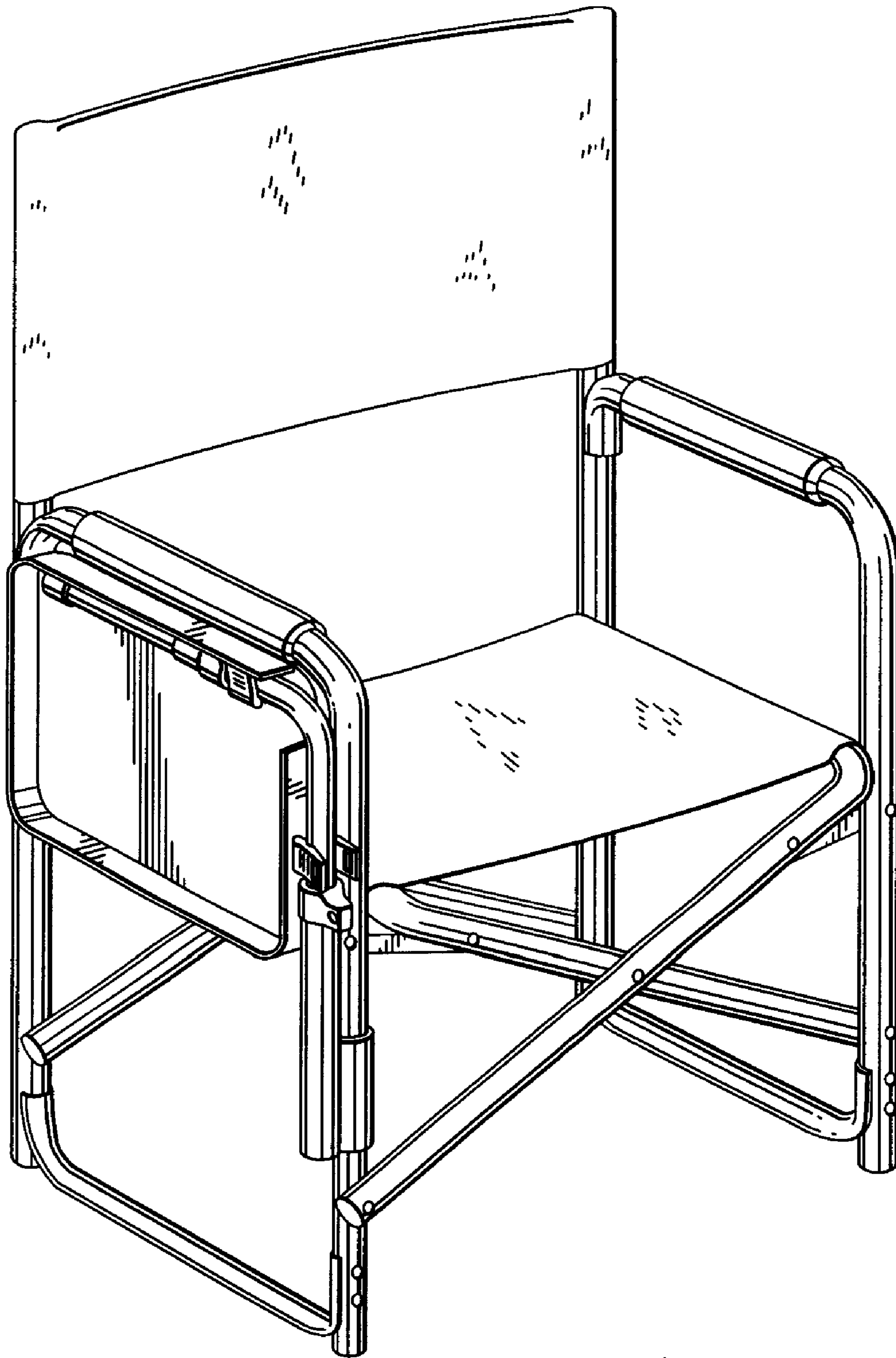


FIG. 1.

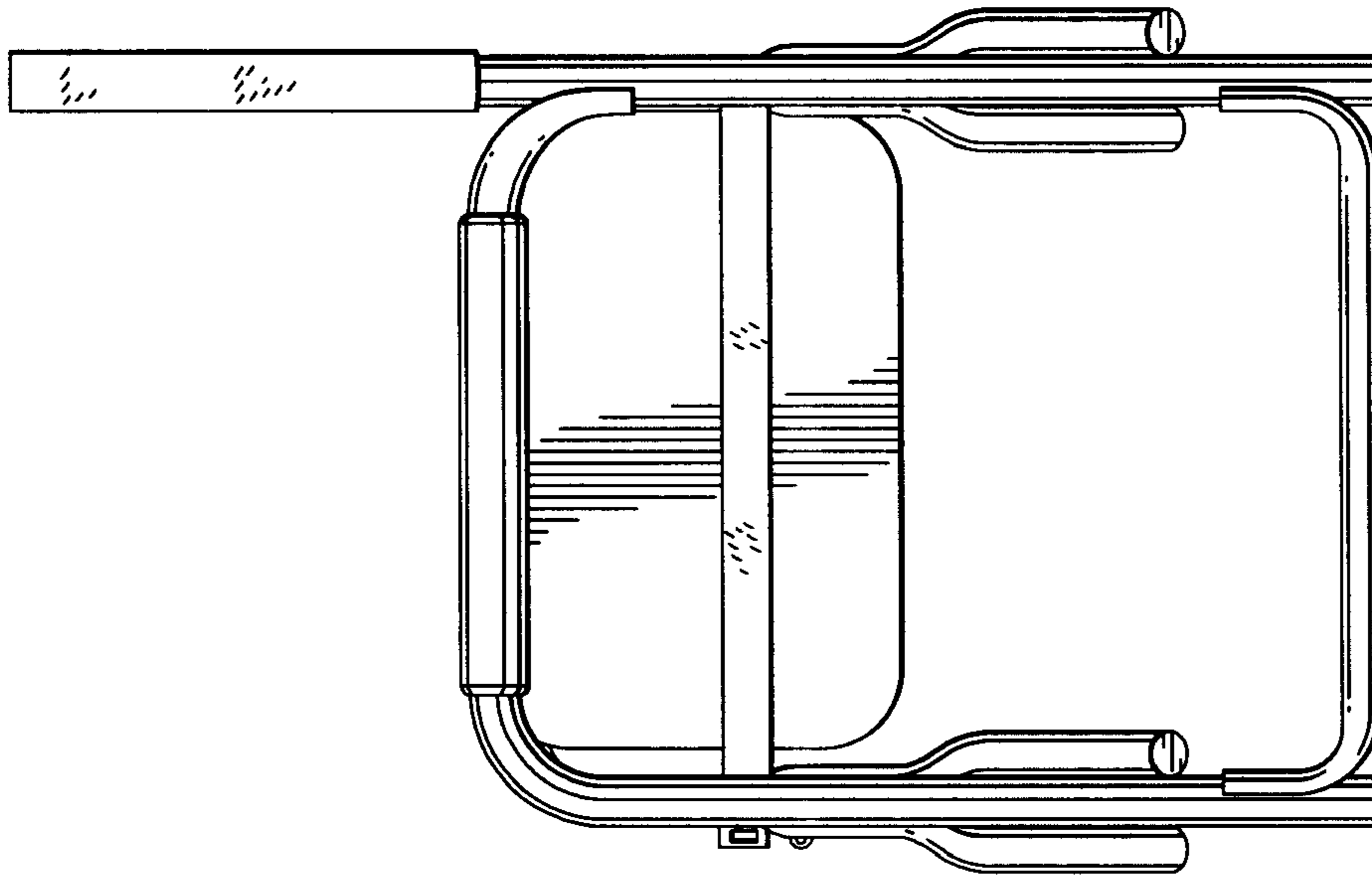


FIG. 3.

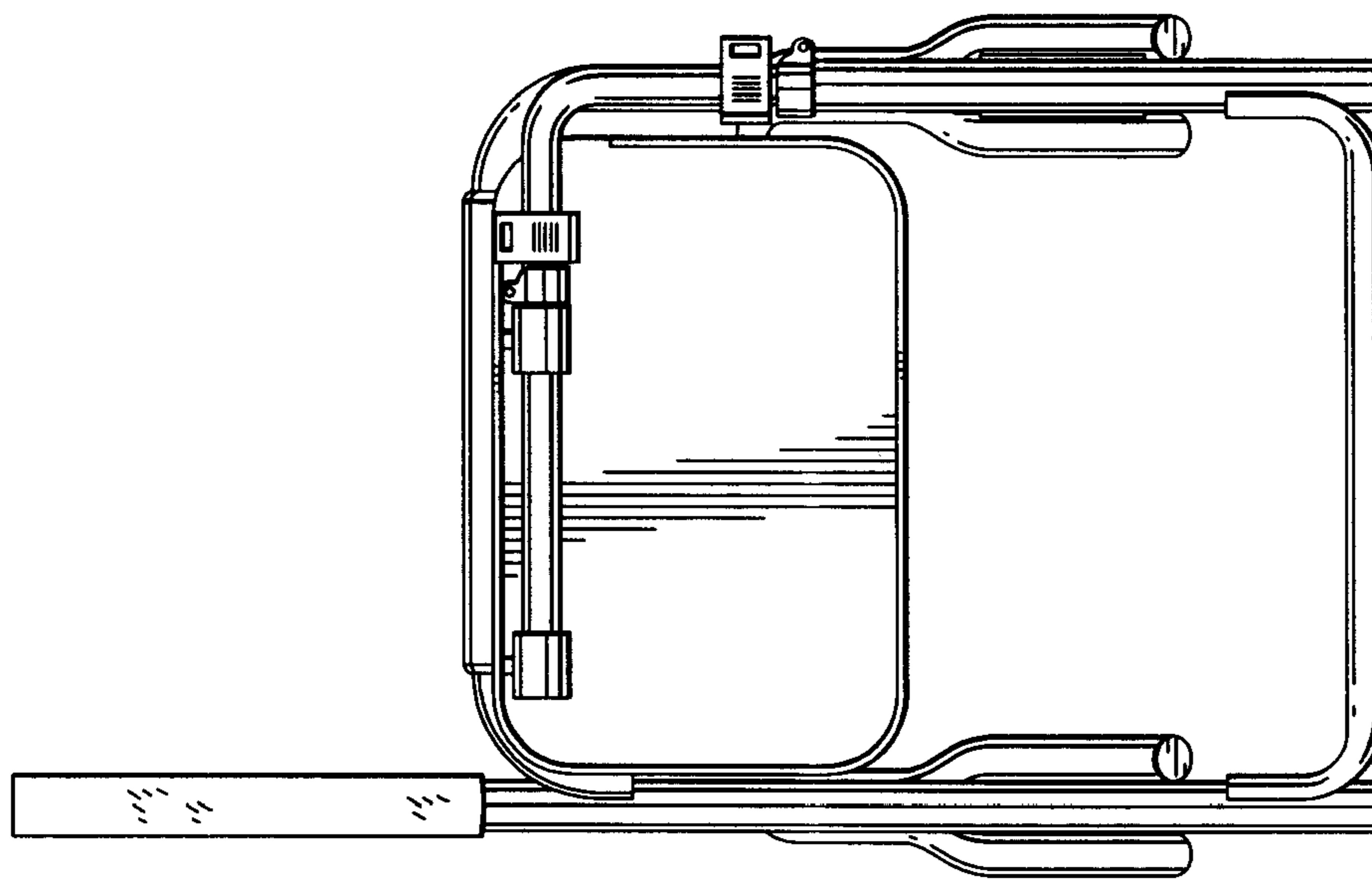


FIG. 2.

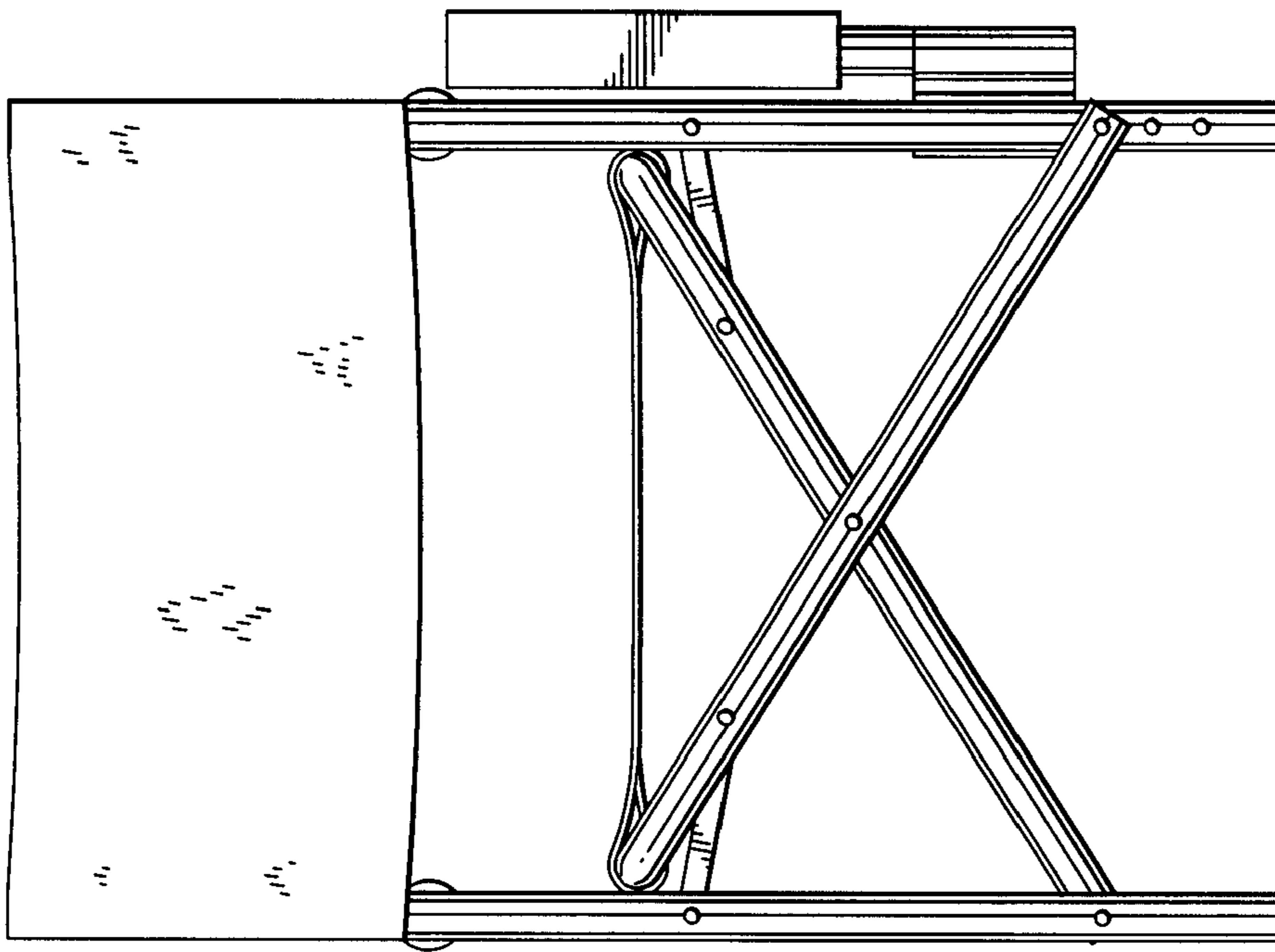


FIG. 5.

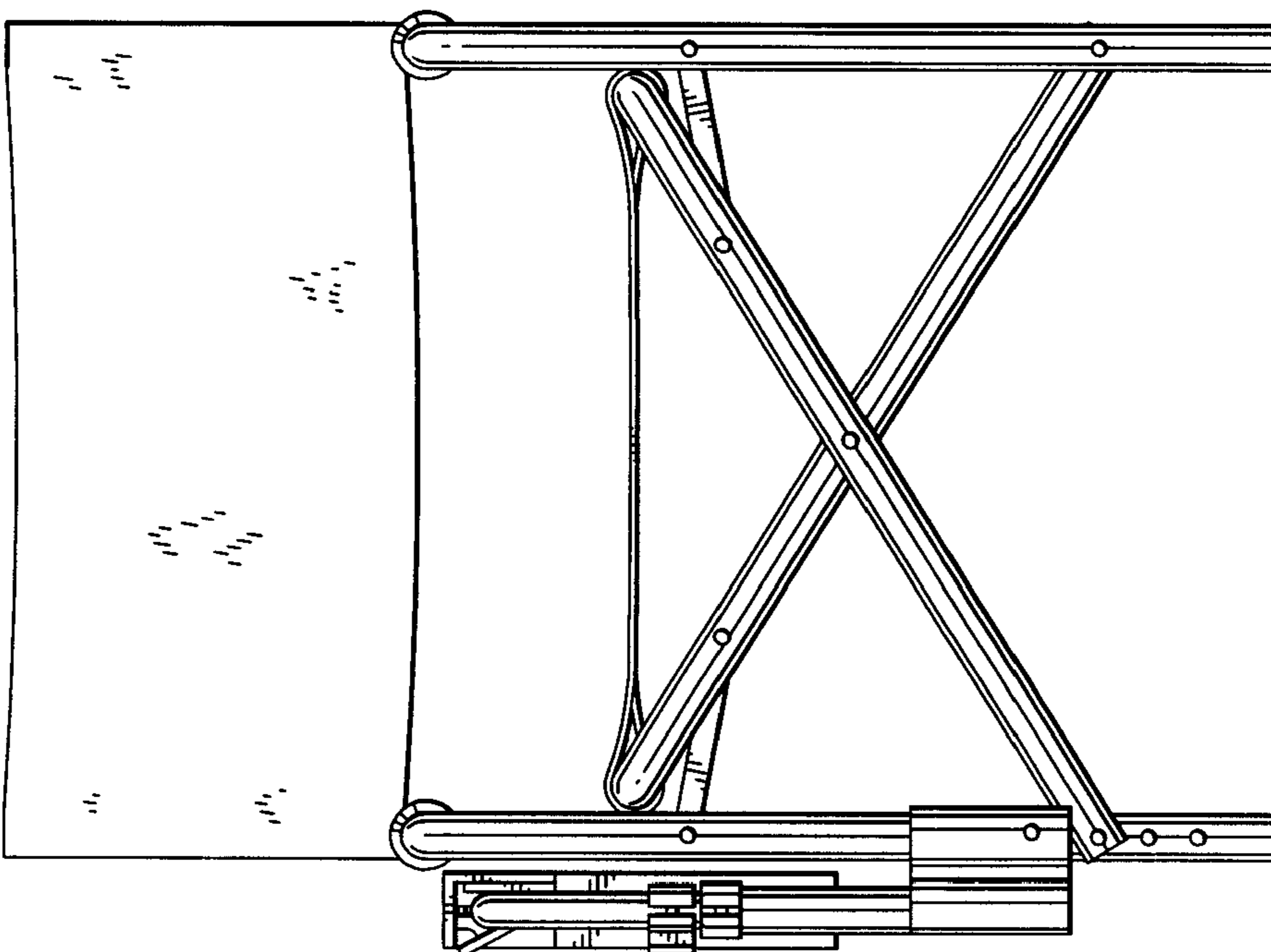


FIG. 4.

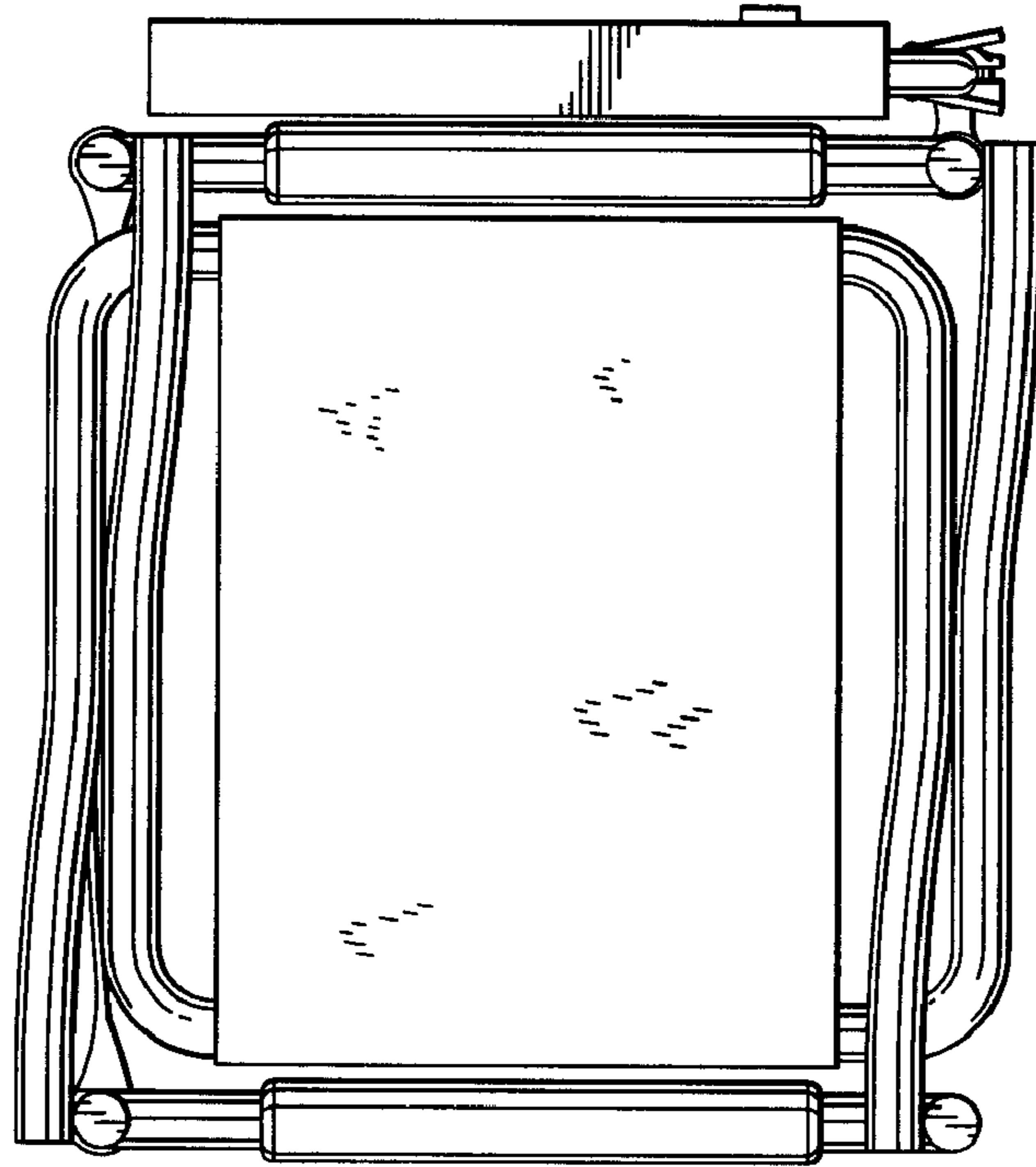


FIG. 6.

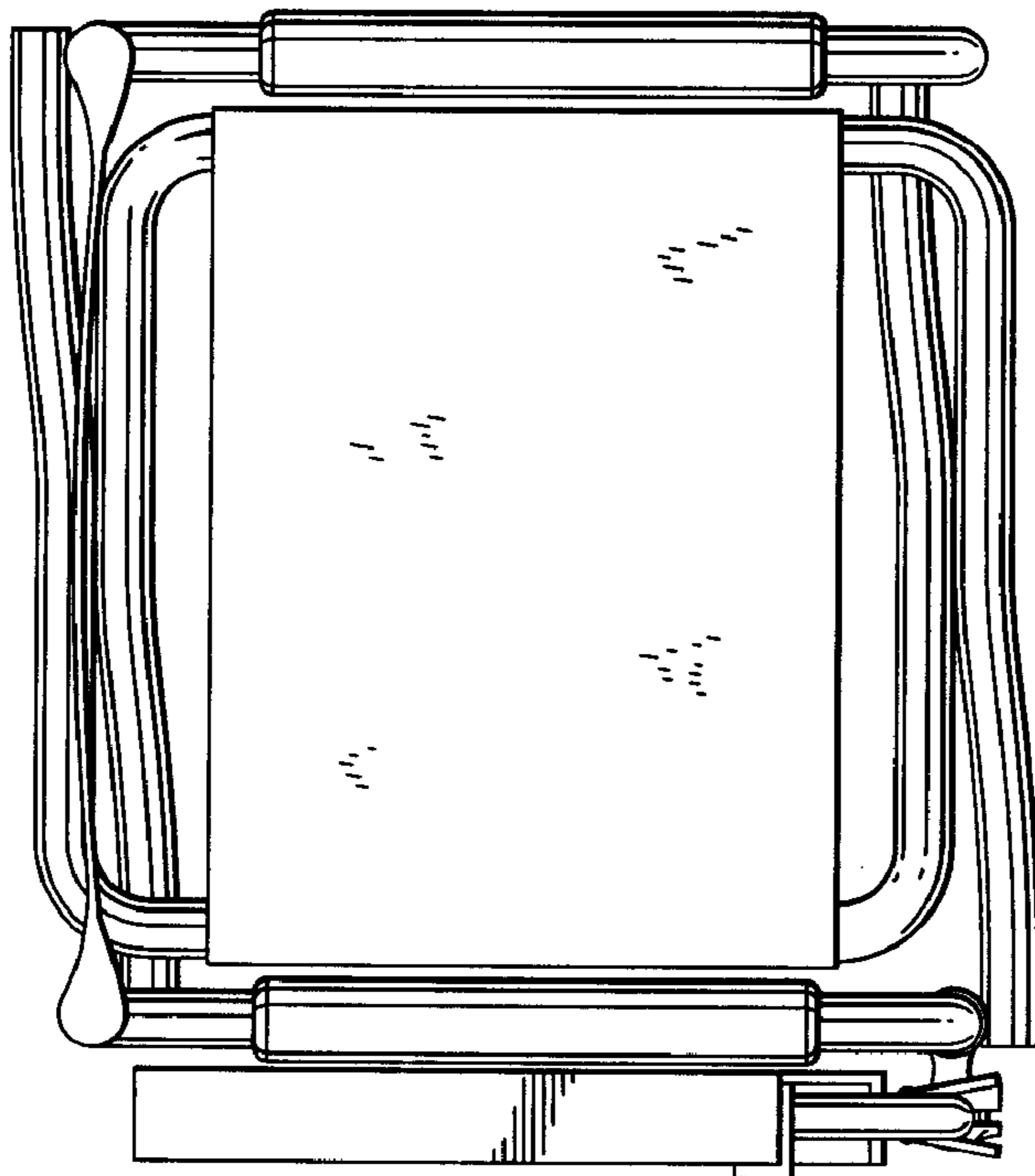


FIG. 7.