



US00D536875S

(12) **United States Design Patent**
Fenton

(10) **Patent No.:** **US D536,875 S**

(45) **Date of Patent:** **** Feb. 20, 2007**

(54) **LUGGAGE HANDLE**

(75) Inventor: **Timm J. Fenton**, Califon, NJ (US)

(73) Assignee: **Tumi, Inc.**, South Plainfield, NJ (US)

(**) Term: **14 Years**

(21) Appl. No.: **29/199,677**

(22) Filed: **Feb. 18, 2004**

(51) **LOC (8) Cl.** **03-99**

(52) **U.S. Cl.** **D3/318**

(58) **Field of Classification Search** 190/100,
190/119, 125, 127, 109, 110, 900-903, 18 A,
190/37, 115; 150/117, 127, 100, 107; 224/42.11,
224/236, 429, 430, 609, 436, 439, 153; 383/907,
383/38; D12/409, 133; D3/246, 276, 318-328,
D3/279, 272, 273; D8/375; 16/44-47; 186/27;
D34/12, 24, 25, 27

See application file for complete search history.

(56) **References Cited**

U.S. PATENT DOCUMENTS

5,655,260	A	*	8/1997	Chang	16/113.1
5,729,866	A	*	3/1998	Chg	16/405
6,295,698	B1	*	10/2001	Chang	16/113.1
D472,713	S	*	4/2003	Lee	D3/318
6,637,562	B2	*	10/2003	Oh	190/26
6,672,440	B2	*	1/2004	Lin et al.	190/115
D505,789	S	*	6/2005	Nykoluk	D3/318
D507,109	S	*	7/2005	Burgess et al.	D3/318
2001/0035320	A1	*	11/2001	Tiramani et al.	190/115

* cited by examiner

Primary Examiner—Sandra S. Snapp

(74) *Attorney, Agent, or Firm*—Baker Botts L.L.P.

(57) **CLAIM**

The ornamental design for a luggage handle, as shown and described.

DESCRIPTION

FIG. 1 is a front view of a first embodiment of a luggage handle that includes a telescopic handle showing our new design;

FIG. 2 is a side view of the luggage with the handle of FIG. 1;

FIG. 3 is an exploded front view of a portion of the handle of FIGS. 1 and 2;

FIG. 4 is a side view of the portion of the handle of FIG. 3;

FIG. 5 is a top view of the portion of the handle of FIG. 3;

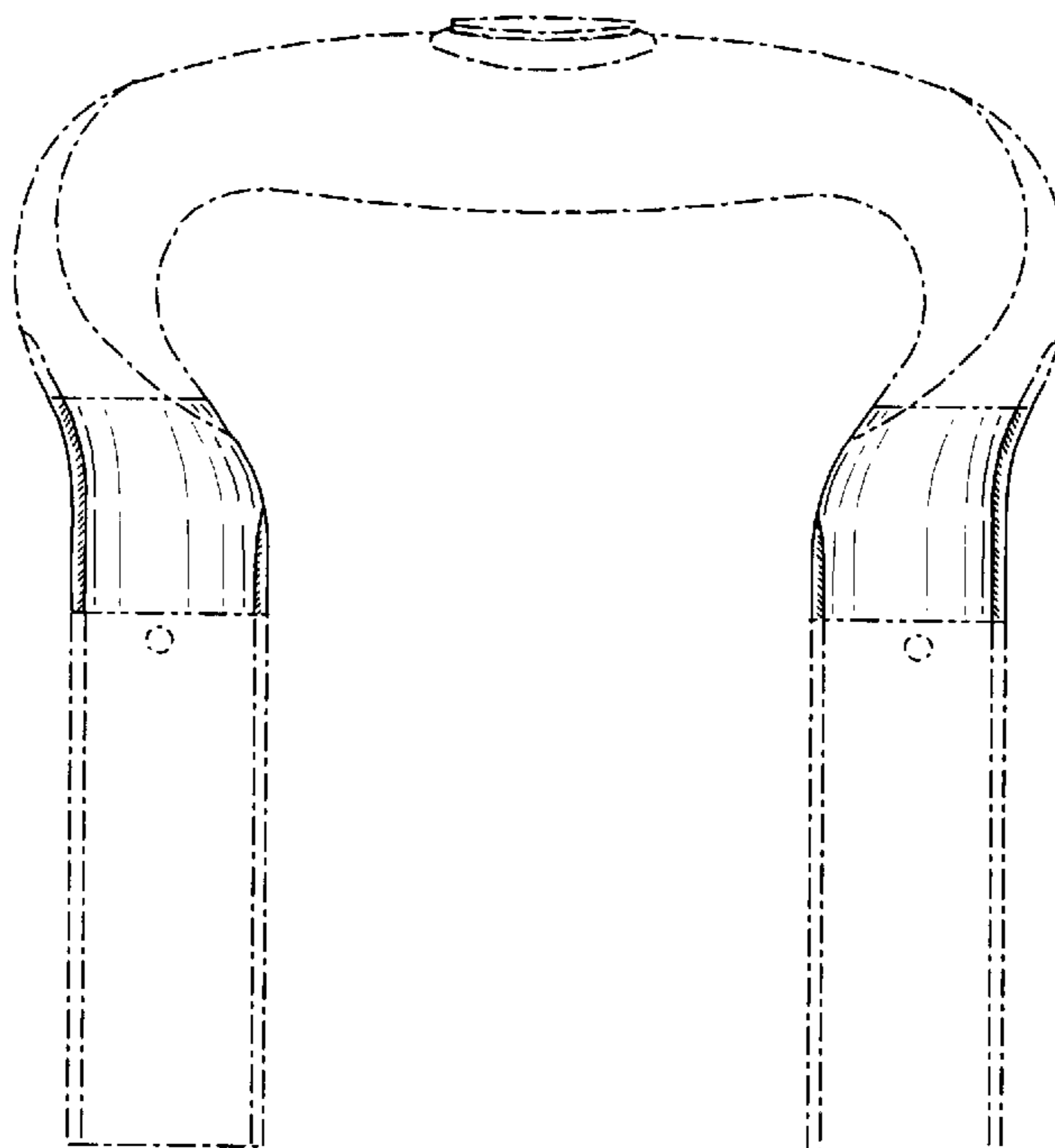
FIG. 6 is an exploded front view of a second embodiment of the luggage handle;

FIG. 7 is a side view of the luggage handle of FIG. 6; and,

FIG. 8 is a top view of the luggage handle of FIG. 6.

The broken lines are provided for illustrative purposes only and form no part of the claimed design. Specifically, the broken lines illustrated as follows: - . . - . . - represent the boundaries of what is claimed. The other type of broken lines, illustrated as follows: - - - - - represent environment. Neither type of broken line constitutes part of the claimed invention.

1 Claim, 3 Drawing Sheets



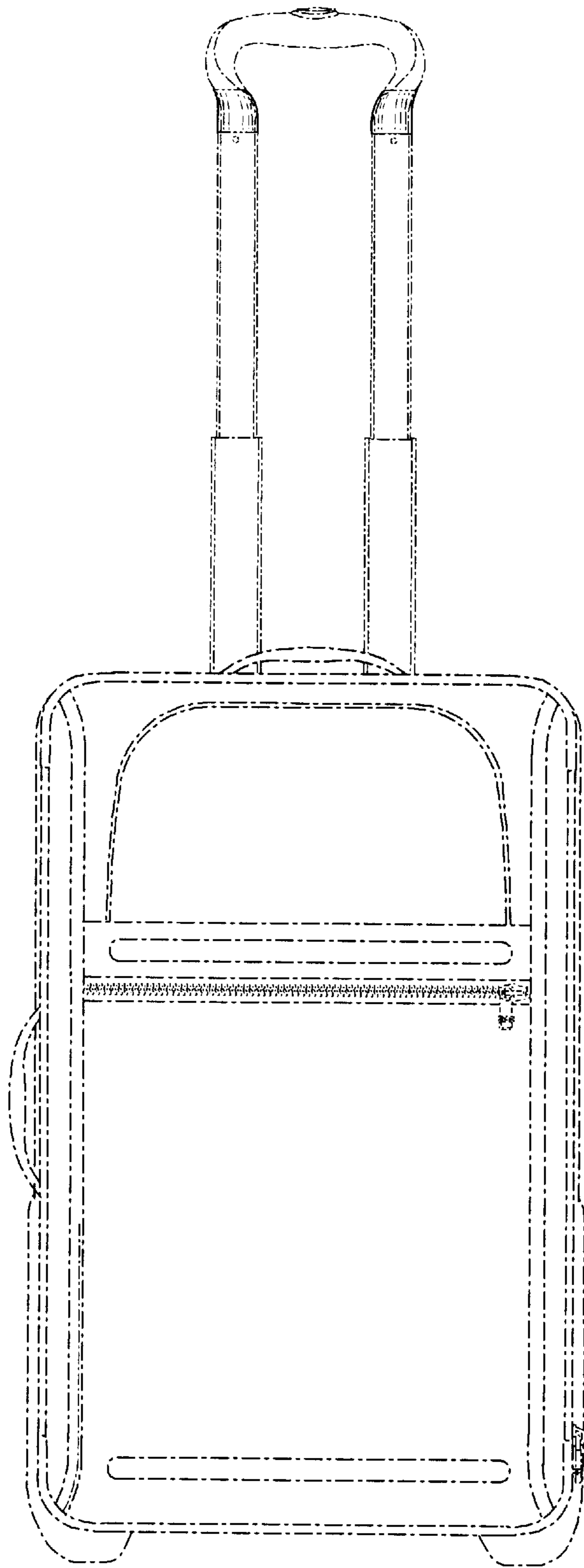


FIG. 1

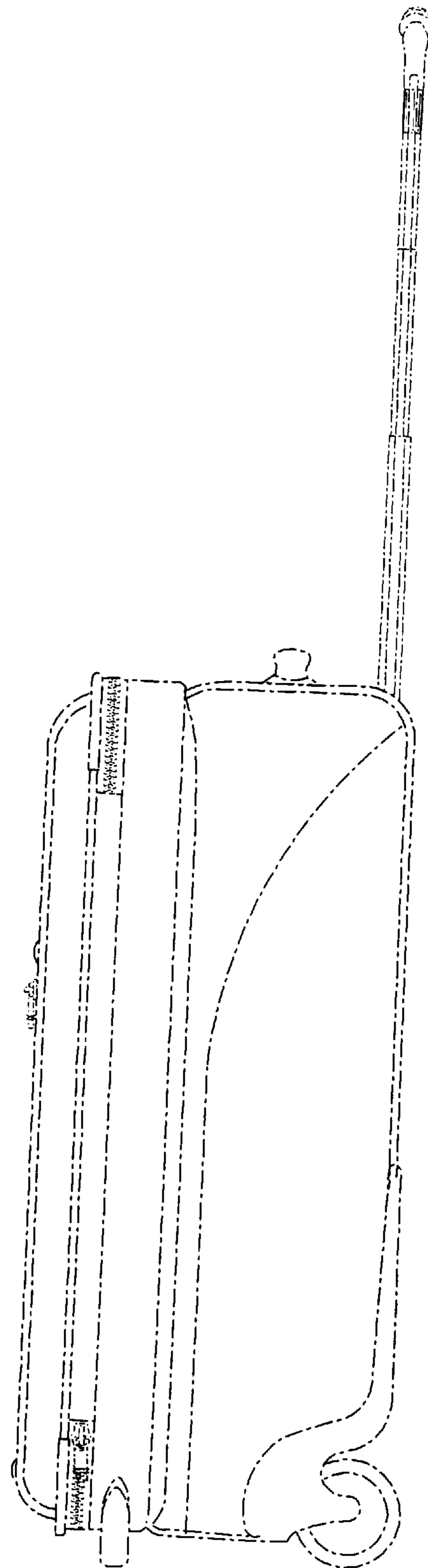


FIG. 2

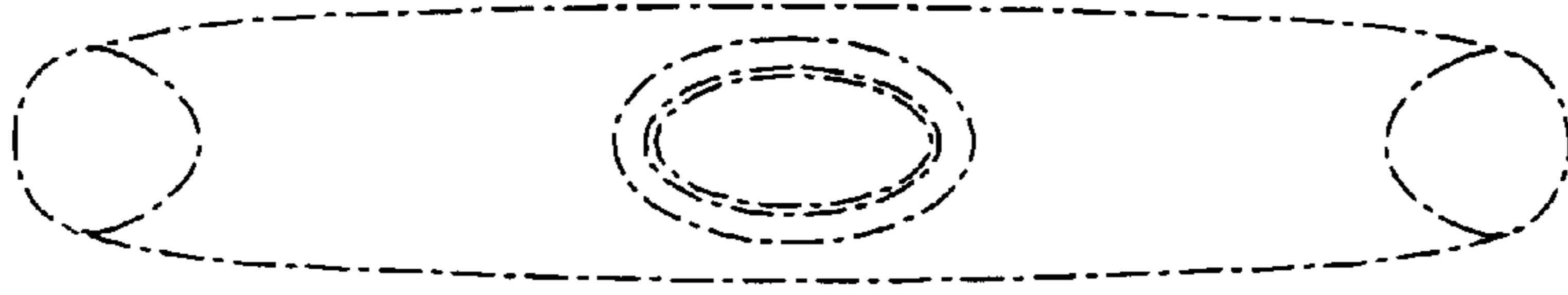


FIG. 5

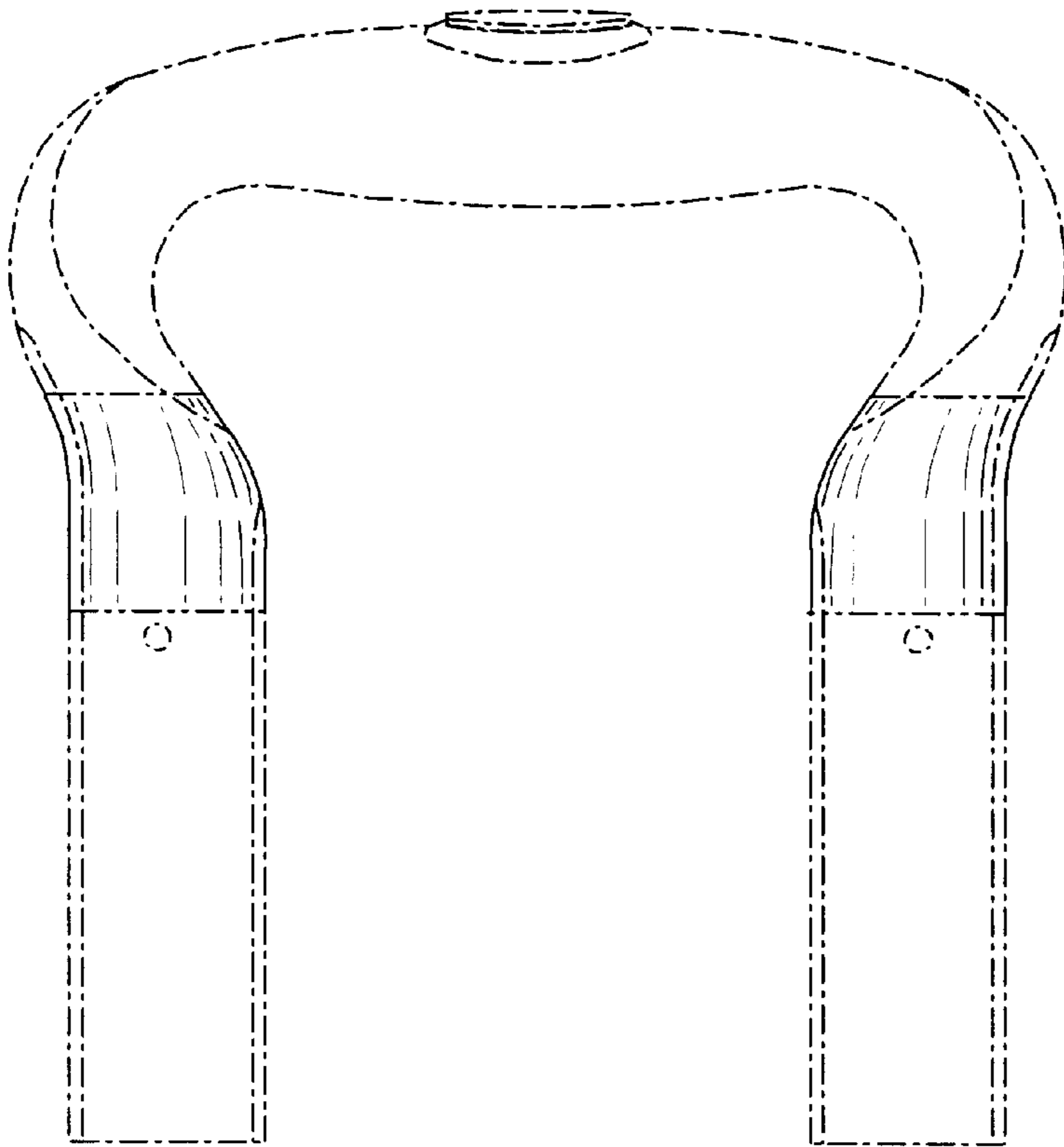


FIG. 3

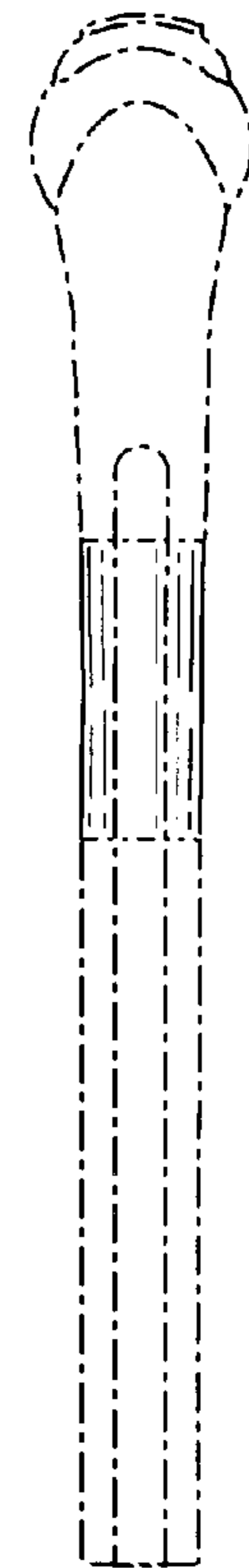


FIG. 4

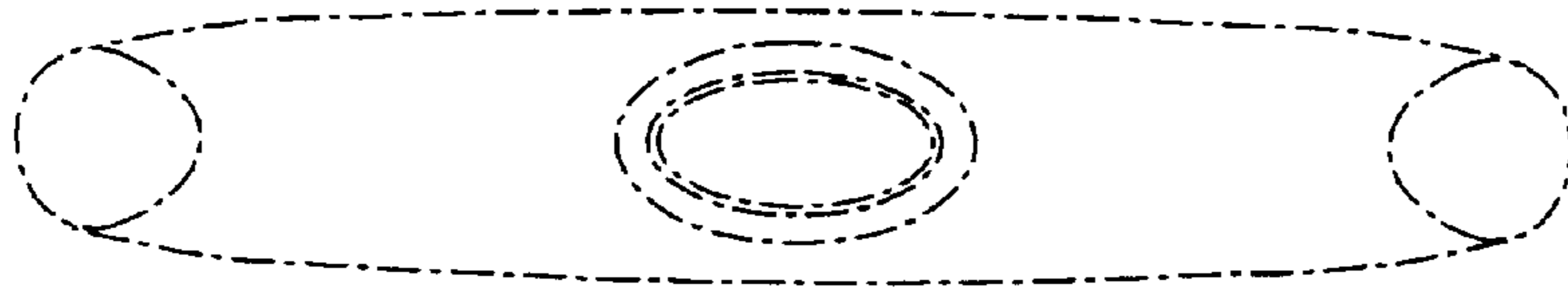


FIG. 8

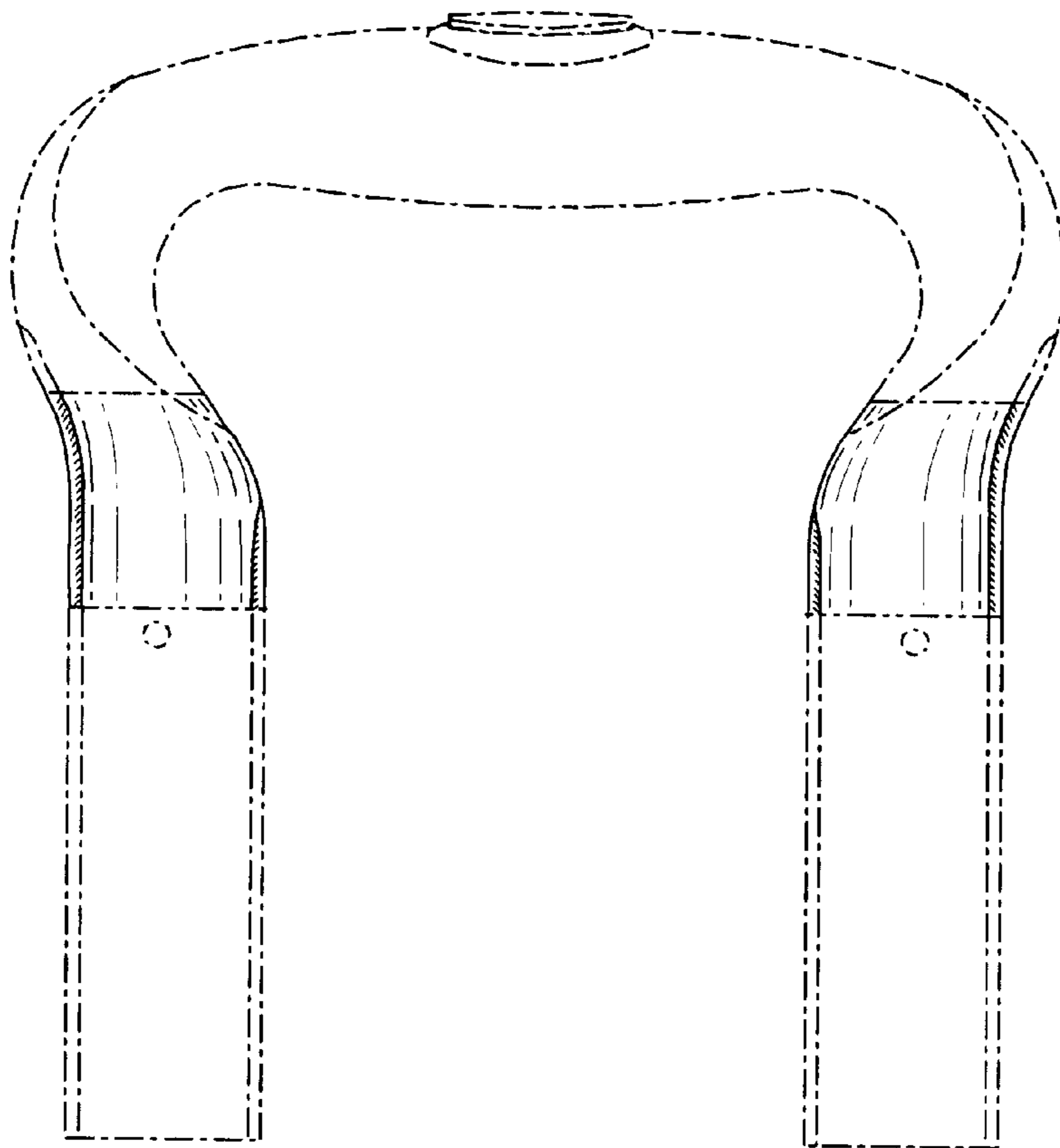


FIG. 6

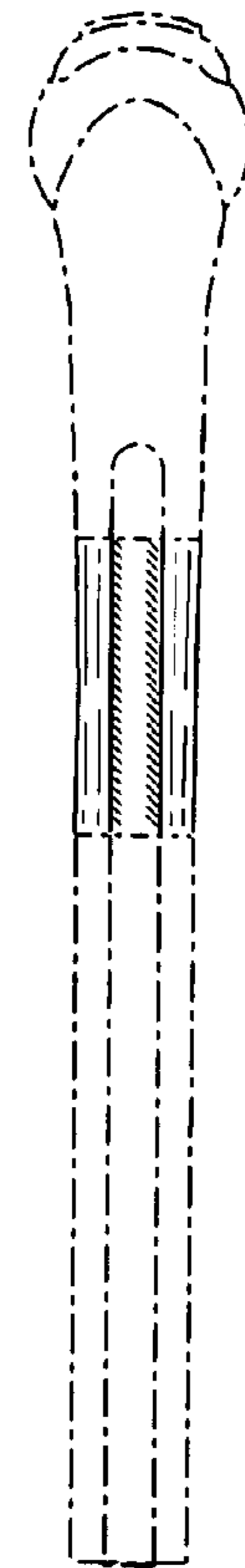


FIG. 7