



US00D536873S

(12) **United States Design Patent**  
**Thorsteinsson et al.**

(10) **Patent No.:** **US D536,873 S**

(45) **Date of Patent:** **\*\* Feb. 20, 2007**

(54) **WALL MOUNTABLE WIRE CORNER BASKET**

(75) Inventors: **Sigurdur Thorsteinsson**, Milan (IT);  
**Christopher J. Miller**, Milan (IT);  
**Peter J. Newbould**, Milan (IT);  
**Pasquale Cirulli**, Milan (IT)

(73) Assignee: **3M Innovative Properties Company**,  
St. Paul, MN (US)

(\*\*) Term: **14 Years**

(21) Appl. No.: **29/253,115**

(22) Filed: **Feb. 1, 2006**

(51) **LOC (8) Cl.** ..... **03-01**

(52) **U.S. Cl.** ..... **D3/306**

(58) **Field of Classification Search** ..... D3/301-315,  
D3/276, 203, 294, 279; D11/156, 147; D24/226-227;  
D9/425, 700, 432-435, 420, 456, 760; D12/133;  
206/528; D6/436, 469, 407, 396, 475-476,  
D6/525; D19/75-78; D30/107; 220/4.33;  
D34/19; D32/46; 226/643; D8/330; D7/620,  
D7/706, 409, 542

See application file for complete search history.

(56) **References Cited**

**U.S. PATENT DOCUMENTS**

D280,944 S \* 10/1985 Herbert ..... D3/304  
D290,232 S \* 6/1987 Holzkopf et al. .... D9/424

D323,439 S \* 1/1992 Emery ..... D6/562  
D368,614 S \* 4/1996 Munoz ..... D6/566  
D407,251 S \* 3/1999 Hampshire ..... D6/540  
D419,020 S \* 1/2000 Emery et al. .... D6/562  
D449,478 S \* 10/2001 Snell ..... D6/566  
D449,479 S \* 10/2001 Snell ..... D6/566  
D451,742 S \* 12/2001 Jones et al. .... D6/556  
D453,268 S \* 2/2002 Snell ..... D3/304  
D483,586 S \* 12/2003 Snell ..... D6/525  
D509,361 S \* 9/2005 Suero, Jr. .... D3/304  
D512,223 S \* 12/2005 Snell ..... D3/304

\* cited by examiner

*Primary Examiner*—Louis S. Zarfaz

*Assistant Examiner*—Eric L. Goodman

(74) *Attorney, Agent, or Firm*—David B. Patchett

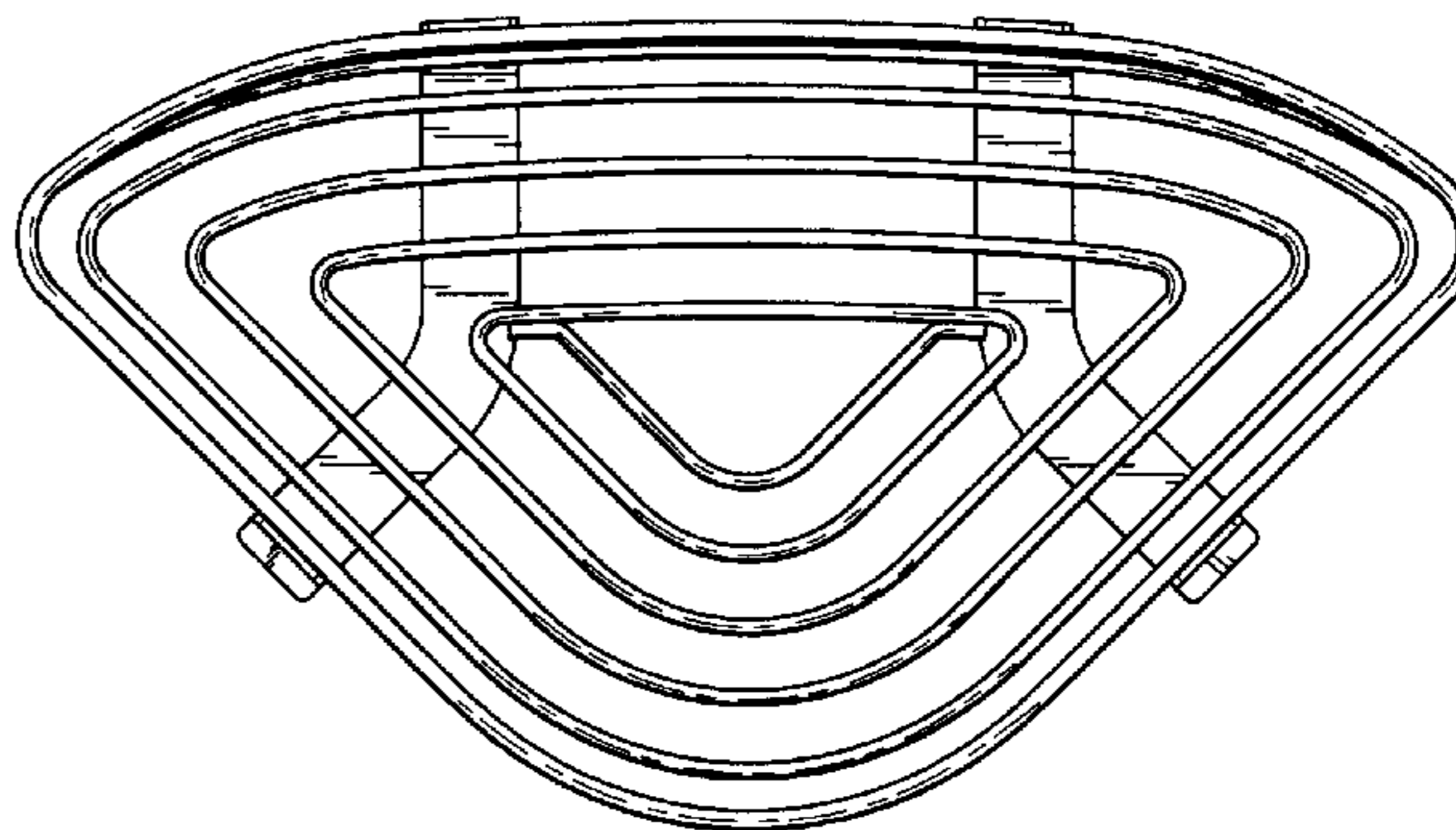
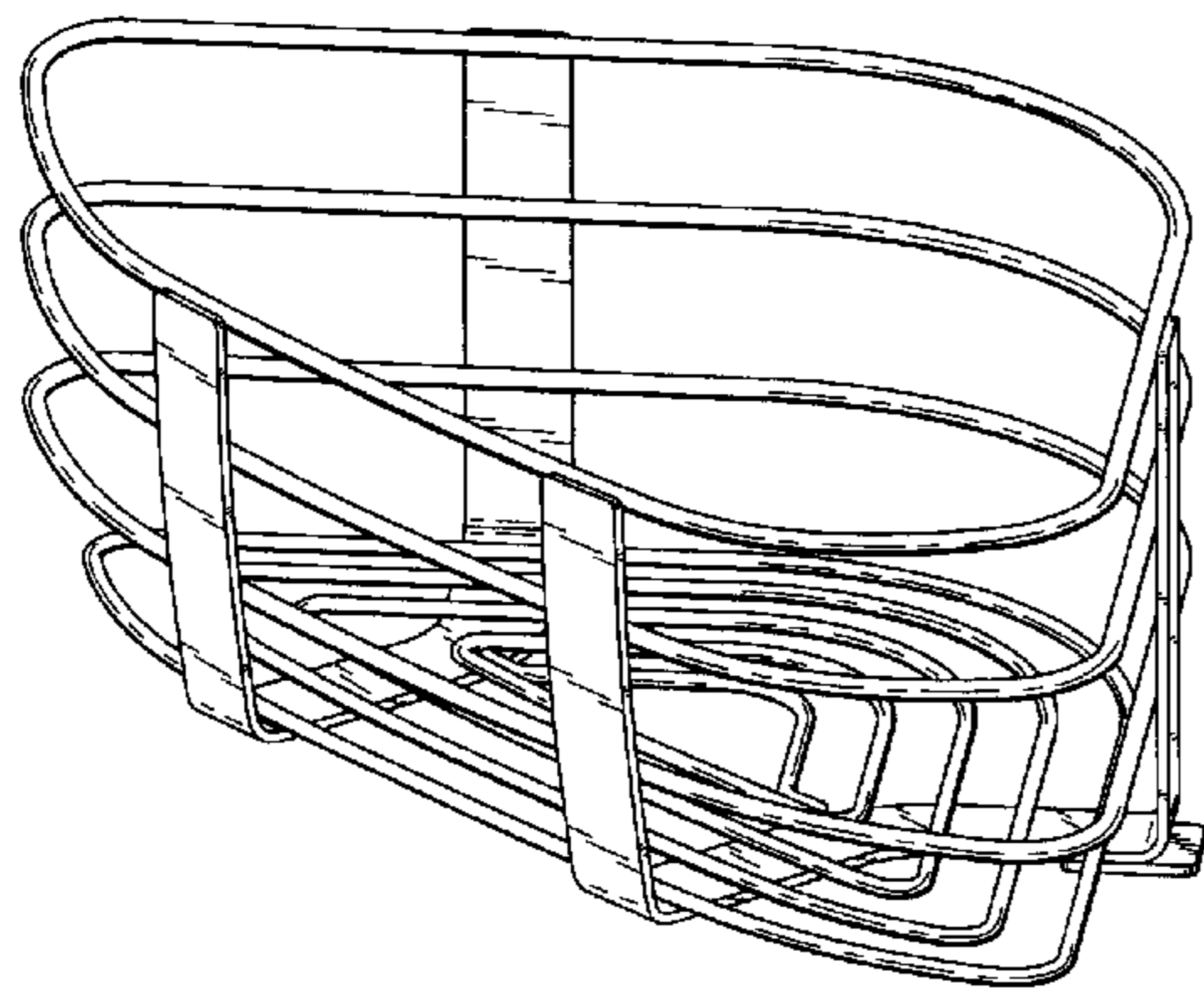
(57) **CLAIM**

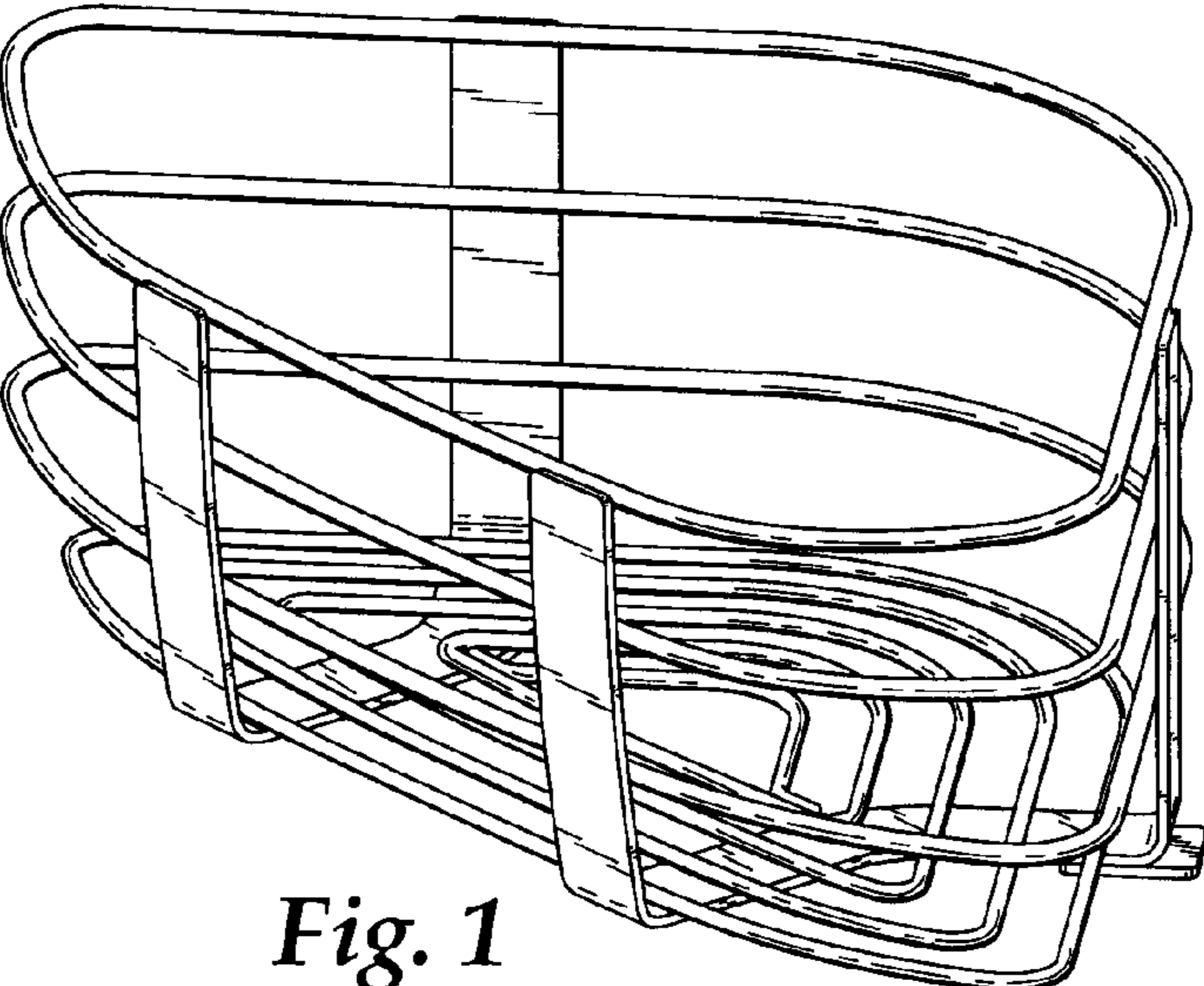
The ornamental design for a wall mountable wire corner basket, as shown and described.

**DESCRIPTION**

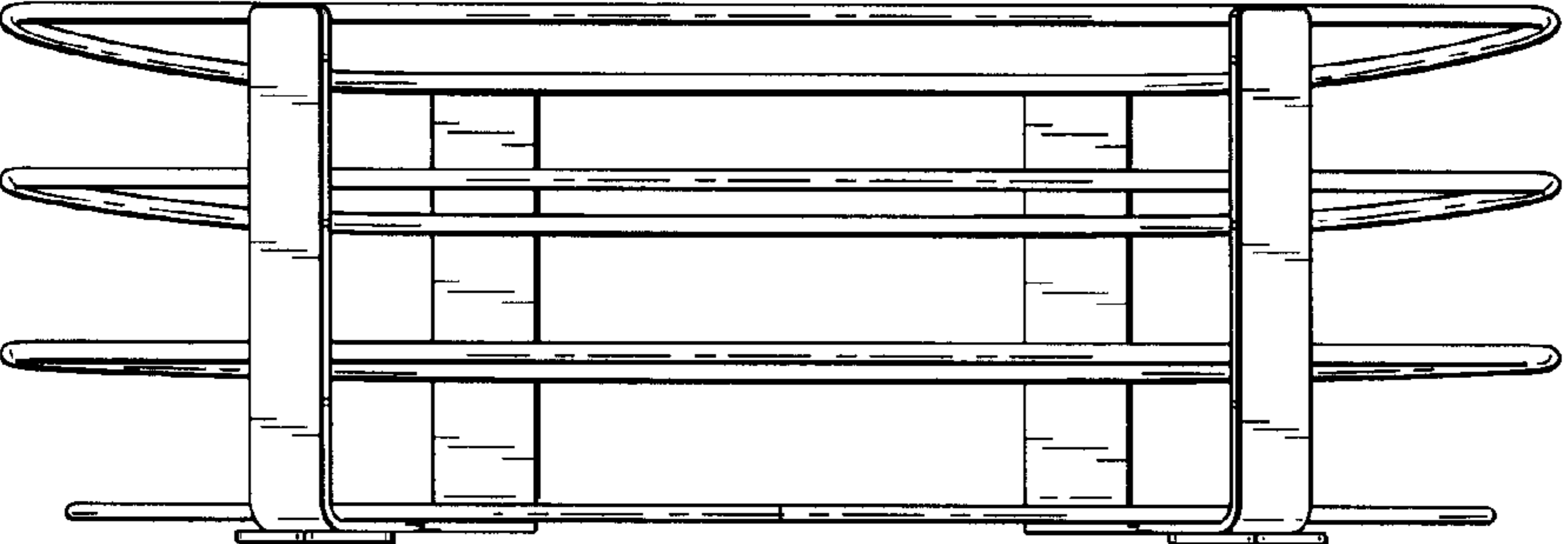
FIG. 1 is a perspective view of a wall mountable wire corner basket showing the new design;  
FIG. 2 is a rear view thereof;  
FIG. 3 is a front thereof;  
FIG. 4 is a top view thereof;  
FIG. 5 is a bottom view thereof; and,  
FIG. 6 is a side view thereof, the opposite side view thereof being a mirror image of the side view shown.

**1 Claim, 2 Drawing Sheets**

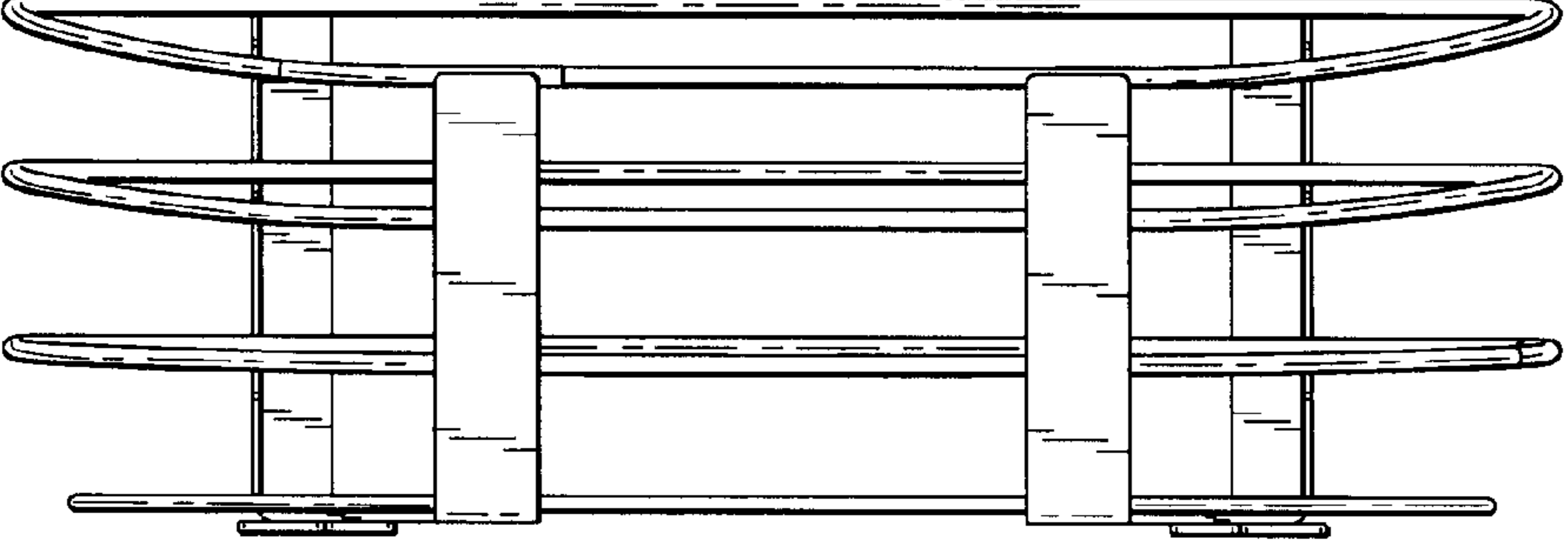




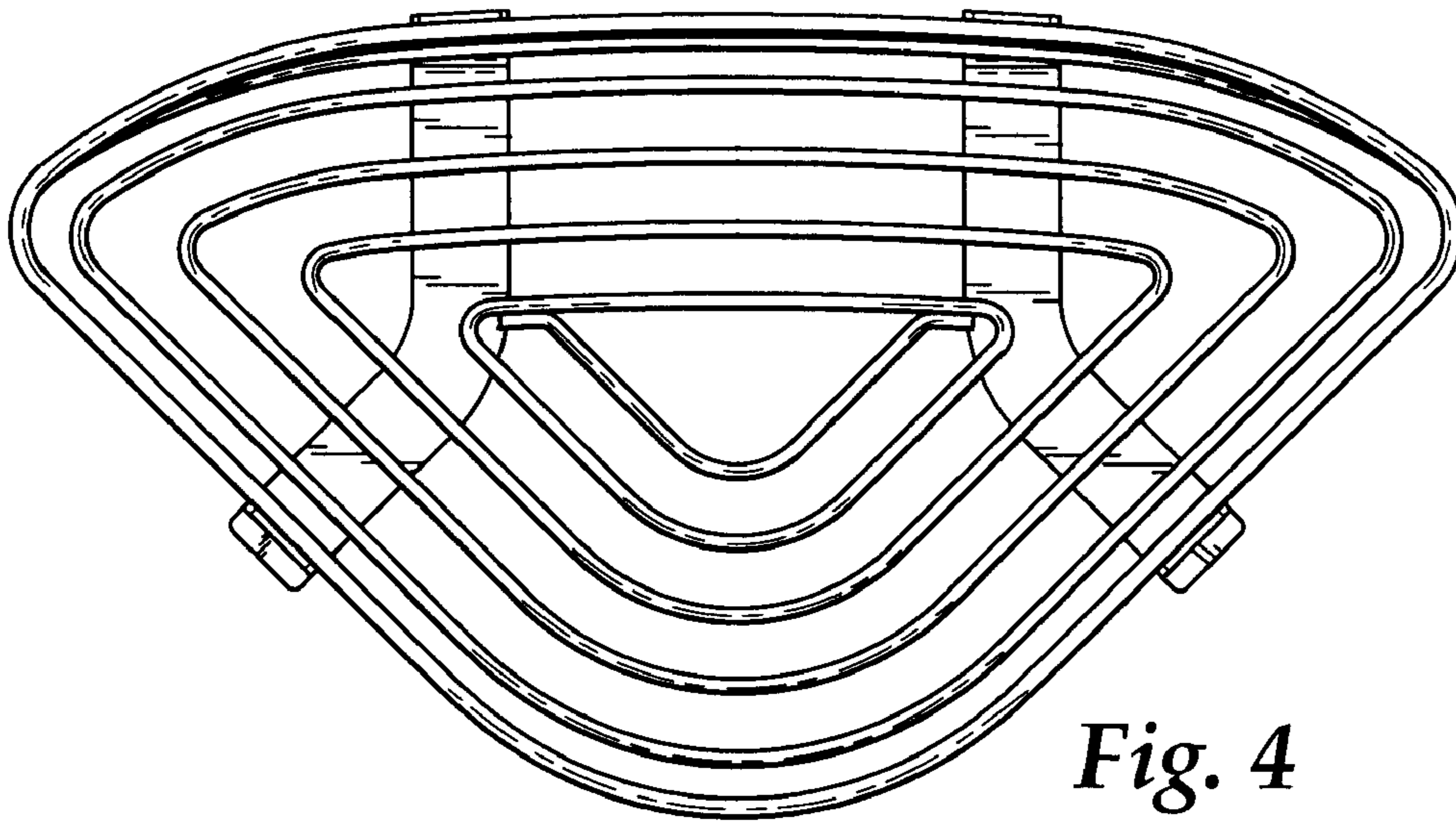
*Fig. 1*



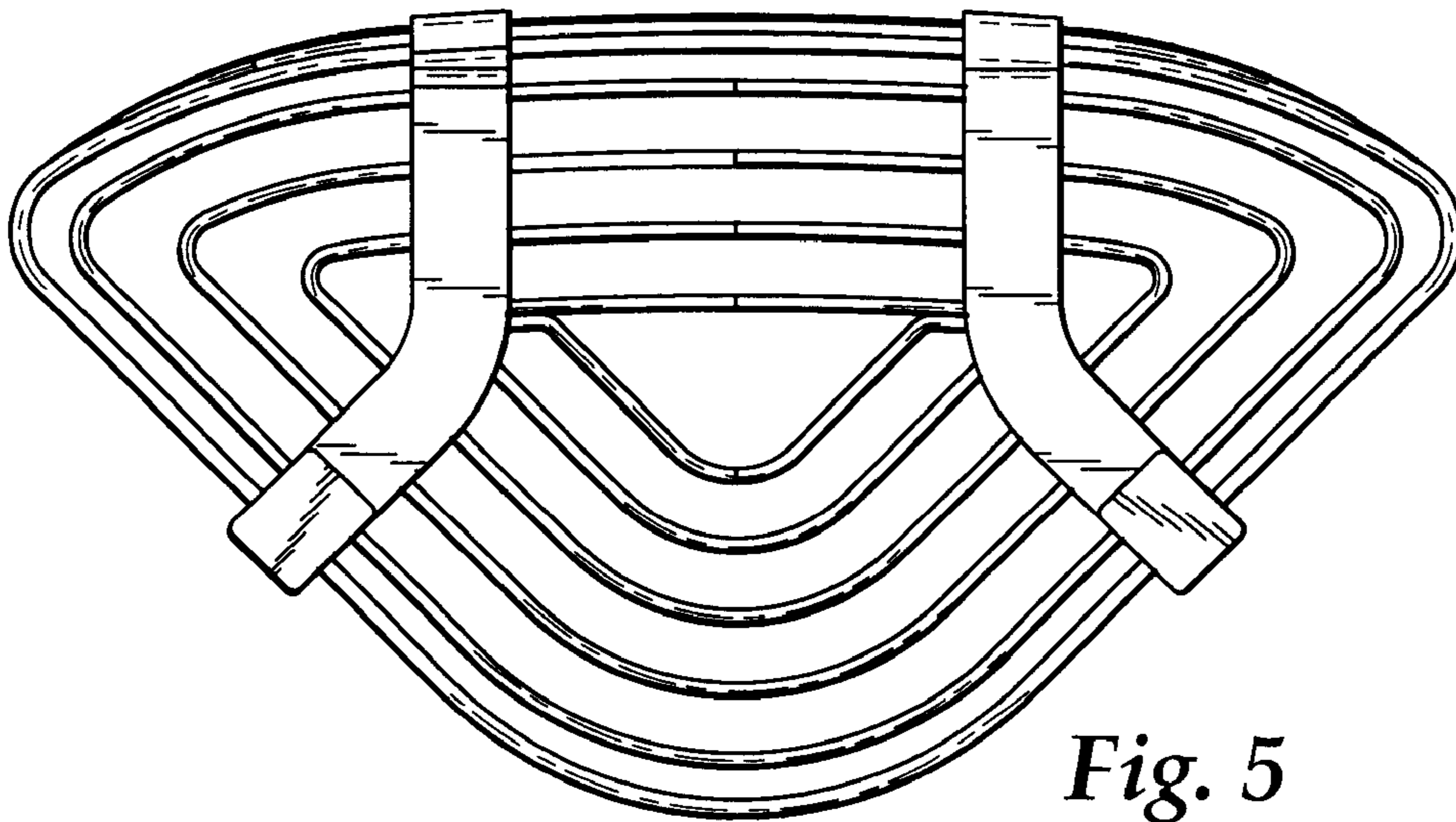
*Fig. 2*



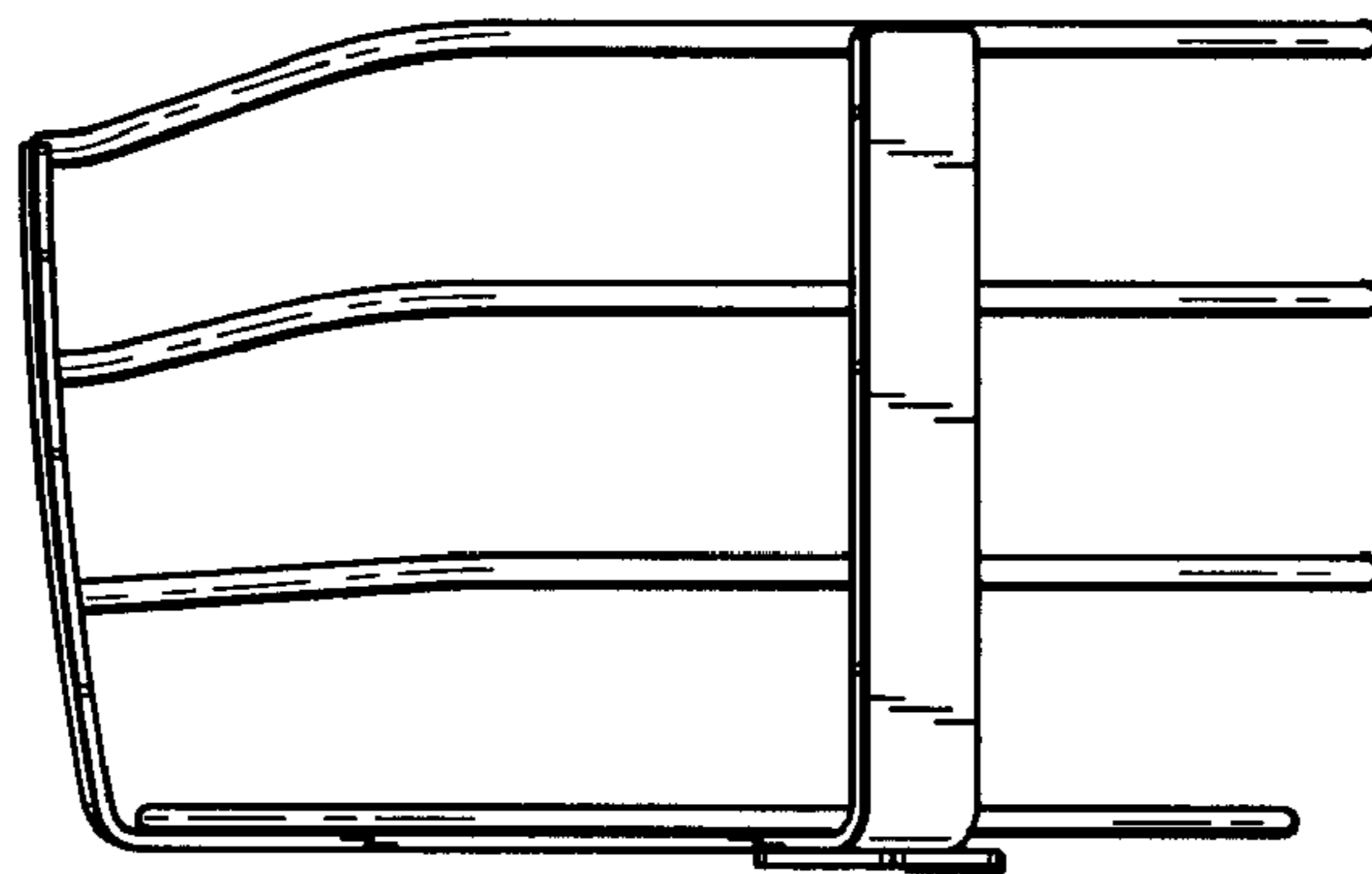
*Fig. 3*



*Fig. 4*



*Fig. 5*



*Fig. 6*