



US00D536868S

(12) **United States Design Patent**
Jackson

(10) **Patent No.:** **US D536,868 S**

(45) **Date of Patent:** **** Feb. 20, 2007**

(54) **CELLULAR TELEPHONE CARRIER**

D512,834 S * 12/2005 Wagner, II D3/226
D513,865 S * 1/2006 Wagner, II D3/226

(76) Inventor: **Christopher C. Jackson**, 267 Buhman Dr., Fayetteville, NC (US) 28314

* cited by examiner

(**) Term: **14 Years**

Primary Examiner—Catherine R. Oliver

(21) Appl. No.: **29/254,369**

(57) **CLAIM**

(22) Filed: **Feb. 22, 2006**

The ornamental design for a cellular telephone carrier, as shown and described.

(51) **LOC (8) Cl.** **03-01**

(52) **U.S. Cl.** **D3/218**

(58) **Field of Classification Search** D3/218,
D3/215, 219, 224, 226; D2/627, 631, 639;
224/236, 901, 904, 682, 257; 206/305
See application file for complete search history.

DESCRIPTION

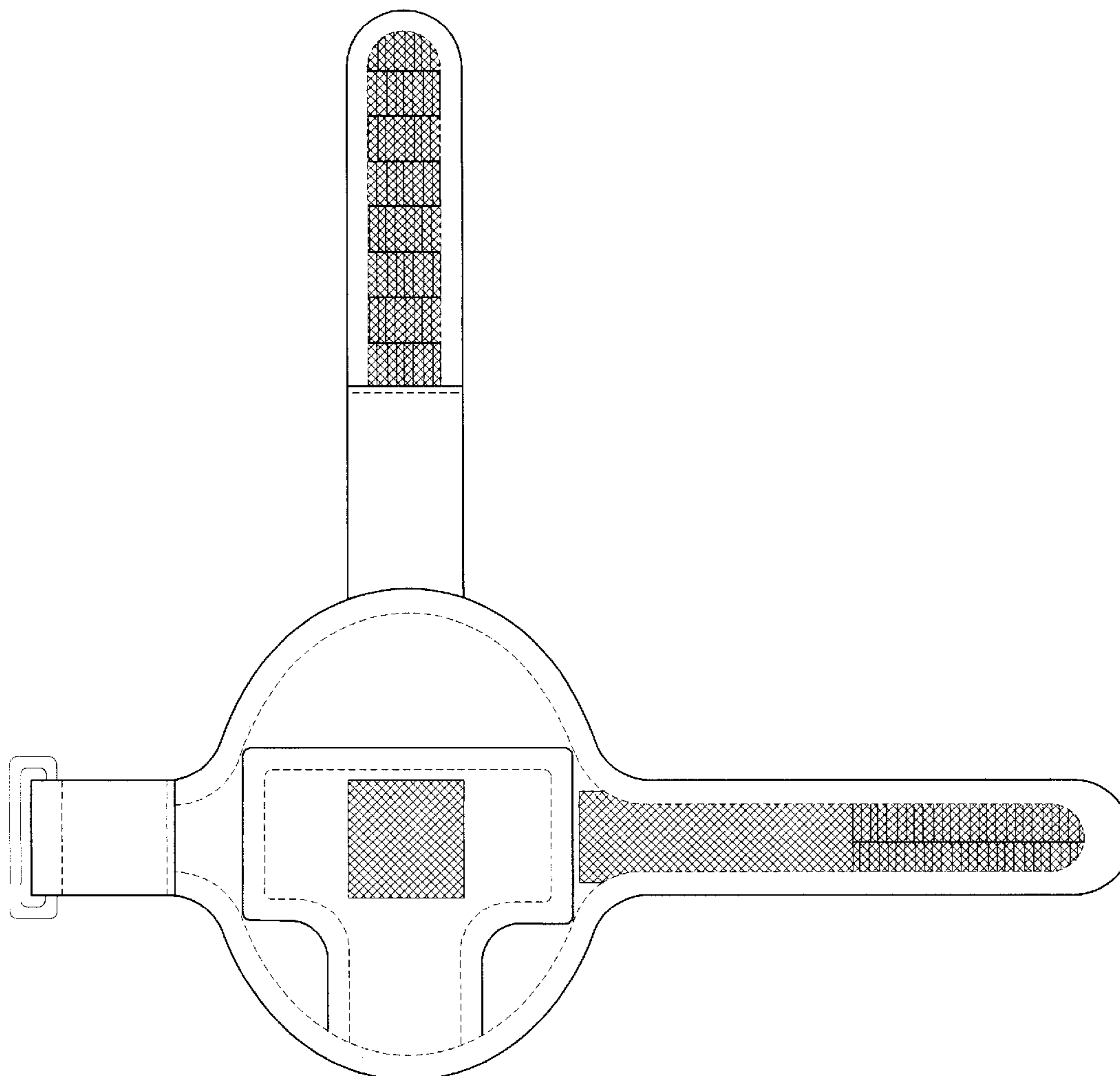
FIG. 1 is a front view of the cellular telephone carrier
FIG. 2 is a rear view of the cellular telephone carrier
FIG. 3 is a top view of the cellular telephone carrier
FIG. 4 is a bottom view of the cellular telephone carrier
FIG. 5 is a front view of the cellular telephone carrier; and,
FIG. 6 is a rear view of the cellular telephone carrier.

(56) **References Cited**

U.S. PATENT DOCUMENTS

D503,038 S * 3/2005 Tabata D3/218

1 Claim, 4 Drawing Sheets



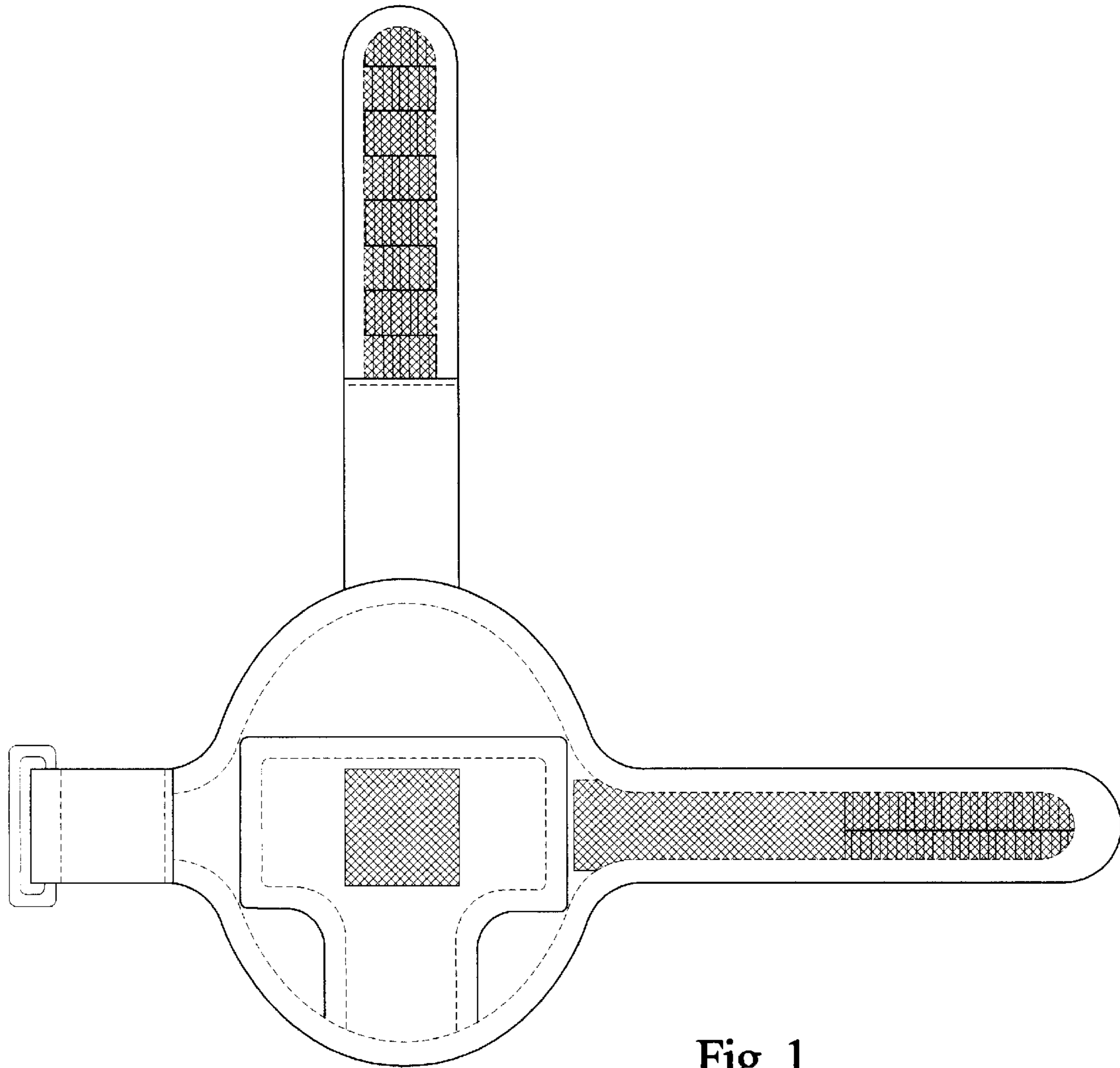


Fig. 1

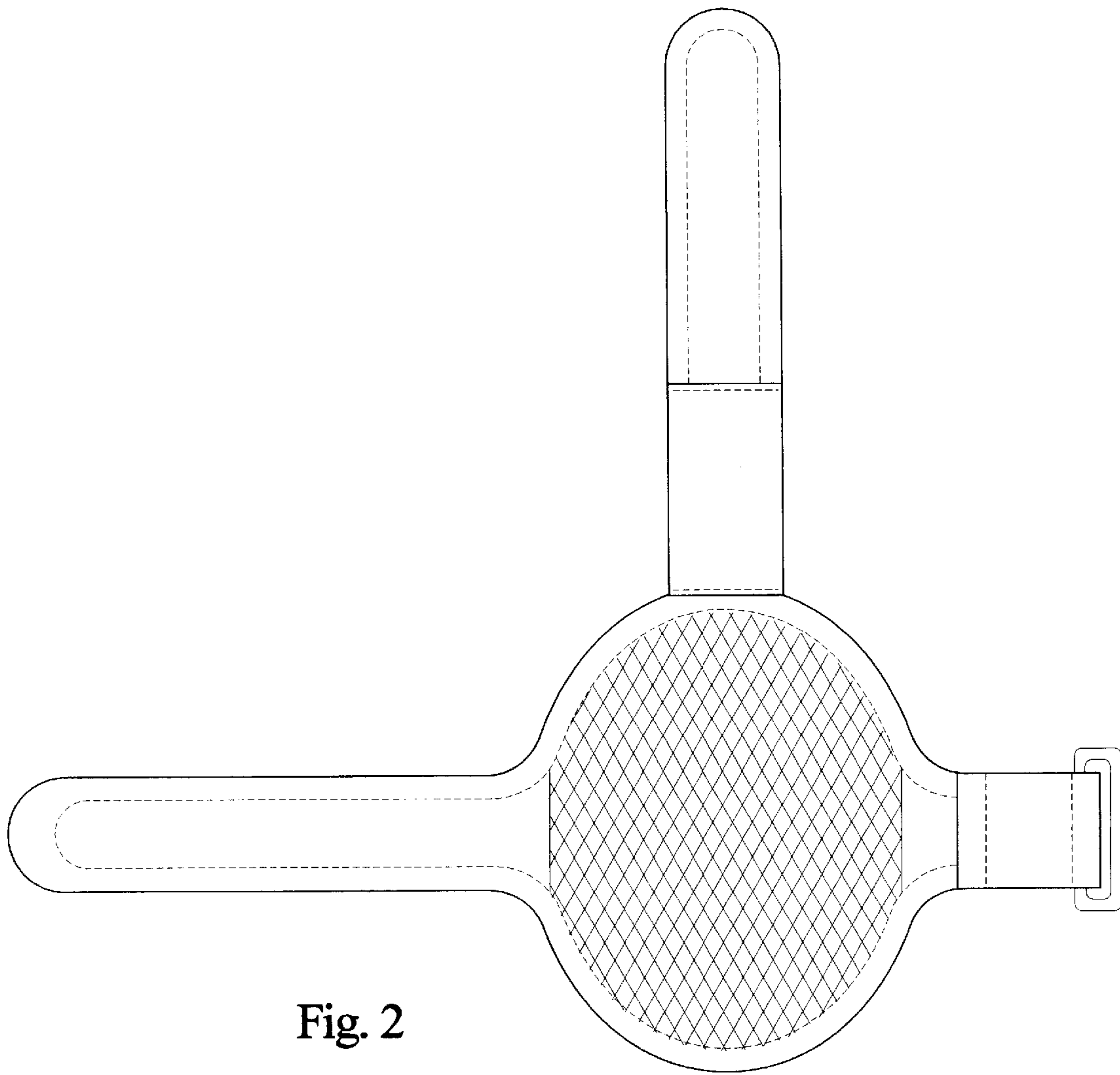


Fig. 2

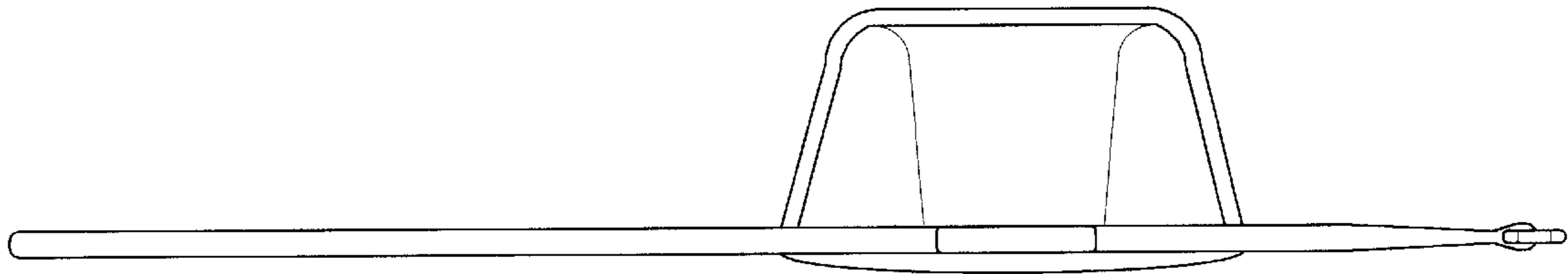


Fig. 3

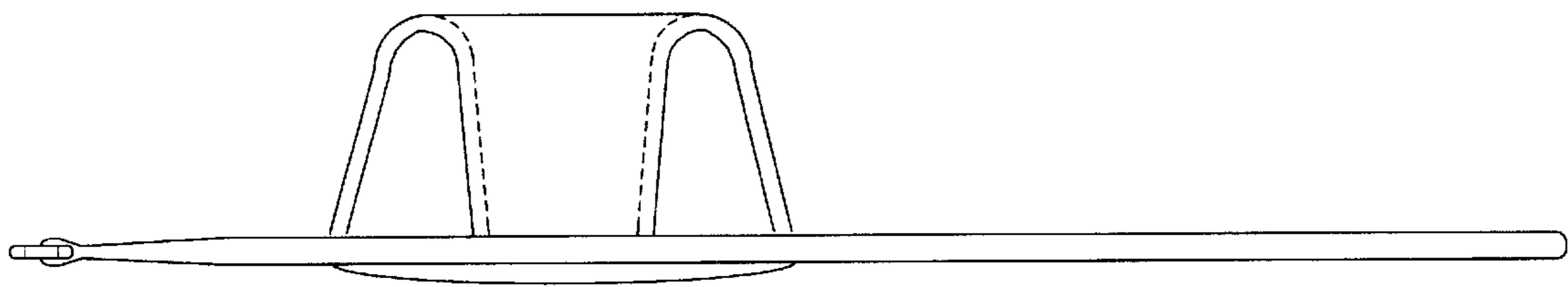


Fig. 4

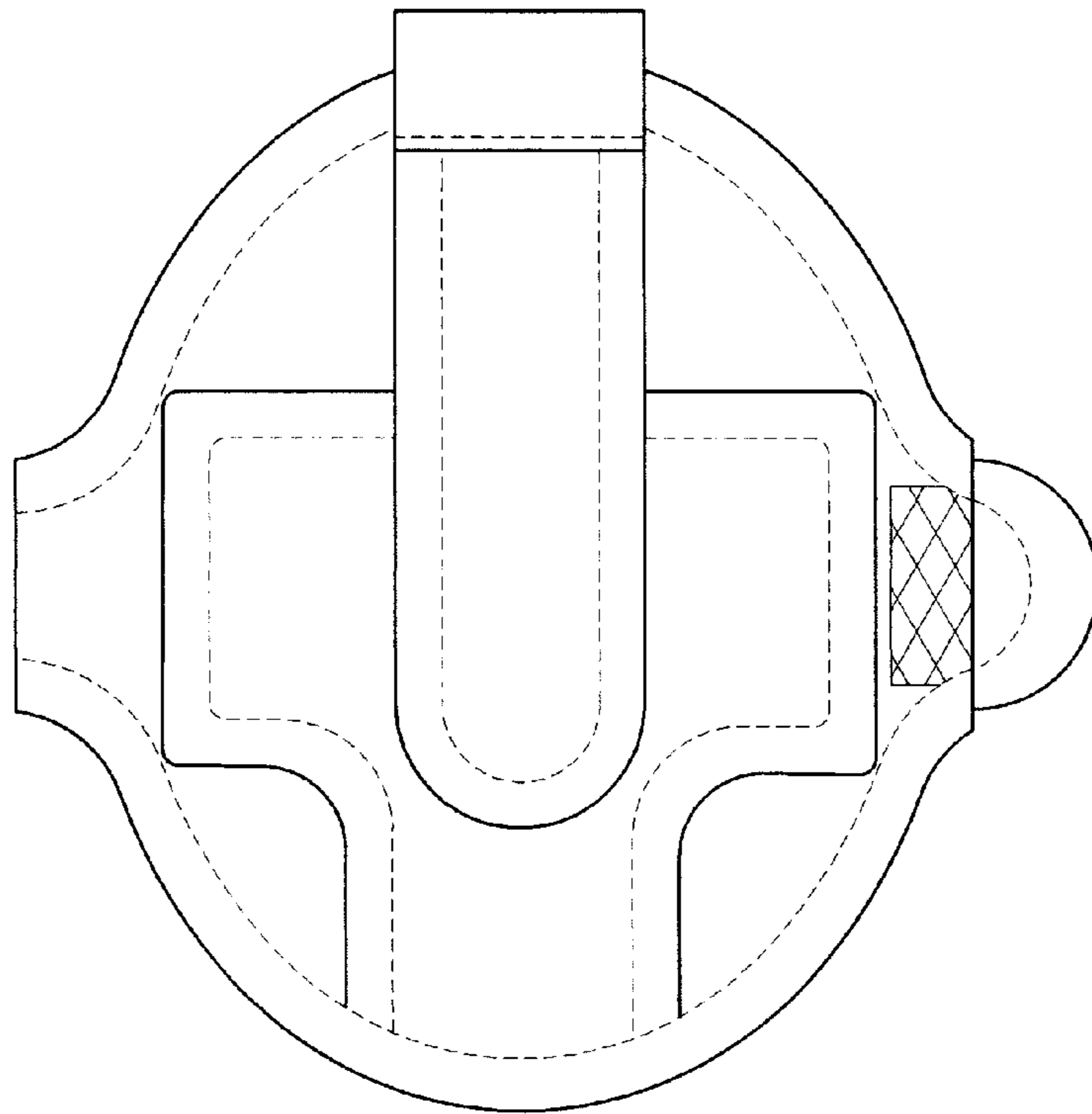


Fig. 5

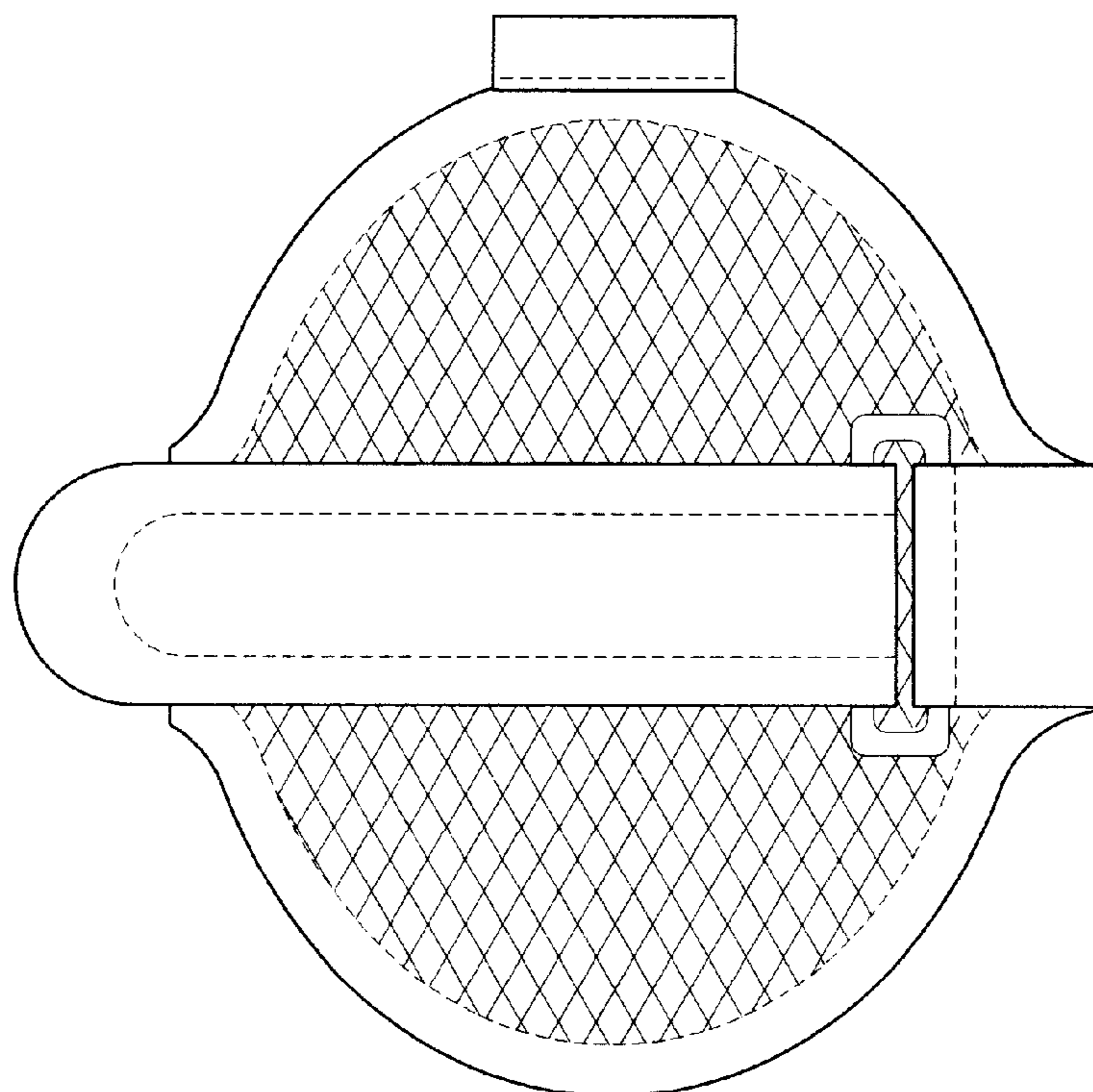


Fig. 6