

US00D536867S

(12) **United States Design Patent**
Sexson

(10) **Patent No.:** **US D536,867 S**

(45) **Date of Patent:** **** Feb. 20, 2007**

(54) **BRACELET CELL PHONE HOLDER**

2003/0164389 A1 * 9/2003 Byers 224/221
2004/0094584 A1 5/2004 Tabata 224/221

(76) Inventor: **Sharon E. Sexson**, 11015 S. Urbana Ave., Tulsa, OK (US) 74137

* cited by examiner

(**) Term: **14 Years**

Primary Examiner—Catherine R. Oliver

(74) *Attorney, Agent, or Firm*—Gable Gotwals

(21) Appl. No.: **29/226,078**

(57) **CLAIM**

(22) Filed: **Mar. 23, 2005**

The ornamental design for a bracelet cell phone holder, as shown and described.

(51) **LOC (8) Cl.** **03-01**

(52) **U.S. Cl.** **D3/218**

(58) **Field of Classification Search** D3/218,
D3/215; 224/219, 222, 267, 164–165, 221,
224/930; D10/30–33; 40/665
See application file for complete search history.

DESCRIPTION

FIG. 1 is a front side elevational view of the bracelet cell phone holder showing my new design, the opposite side being a mirror image thereof.

FIG. 2 is a top plan view of my design.

FIG. 3 is a bottom plan view of my design.

FIG. 4 is a rear elevation view of my design;

FIG. 5 is front elevation view of my design; and,

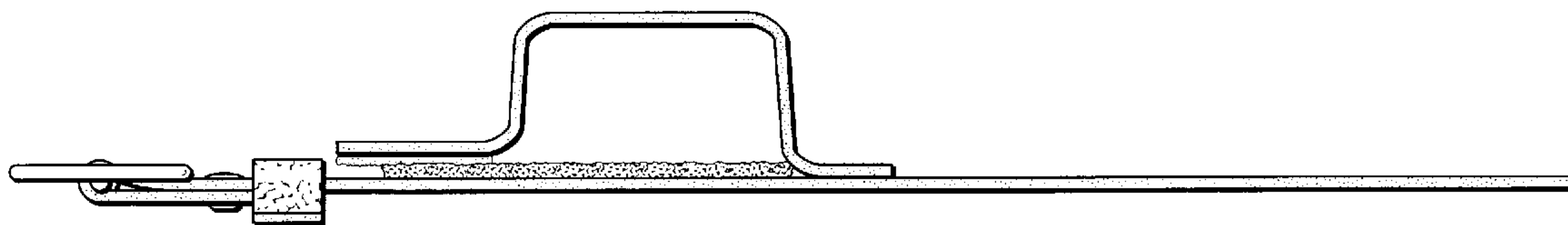
FIG. 6 is a perspective view of my design shown in use. The broken line showing the environment in the drawings is for illustrative purposes only forms no part of the claimed design.

(56) **References Cited**

U.S. PATENT DOCUMENTS

D240,368 S	6/1976	Button	D11/3
5,092,067 A	3/1992	Prout	40/633
5,511,702 A	4/1996	Yang	224/219
D464,792 S	10/2002	Brown	D3/215
6,474,520 B1	11/2002	Finkelstein	224/267
D496,155 S	9/2004	Londono	D3/215
6,796,467 B2	9/2004	Caldana	224/219

1 Claim, 2 Drawing Sheets



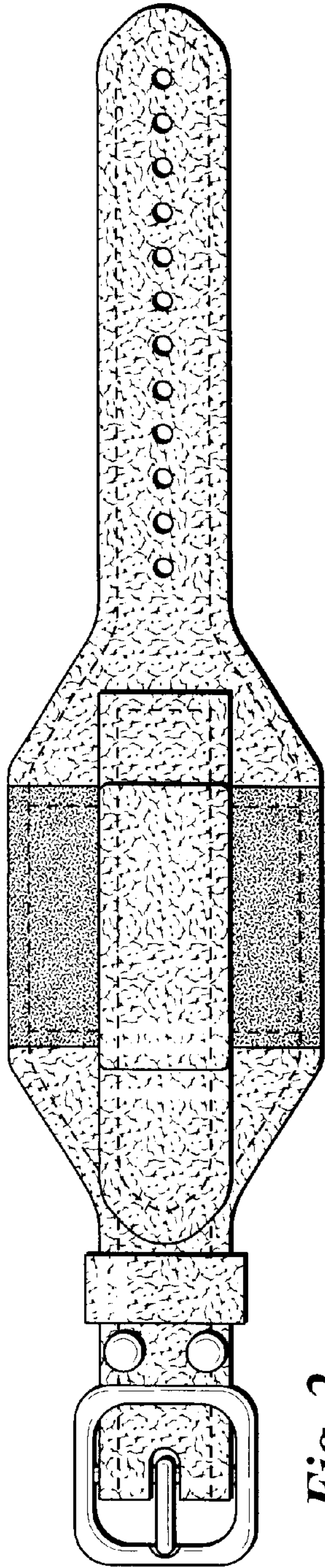


Fig. 2

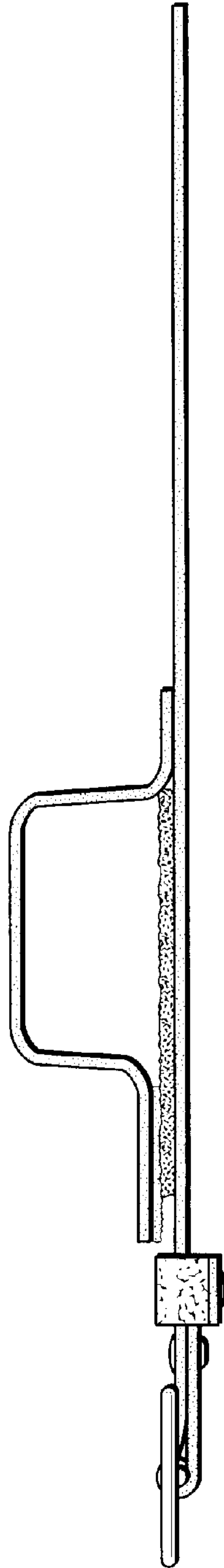


Fig. 1

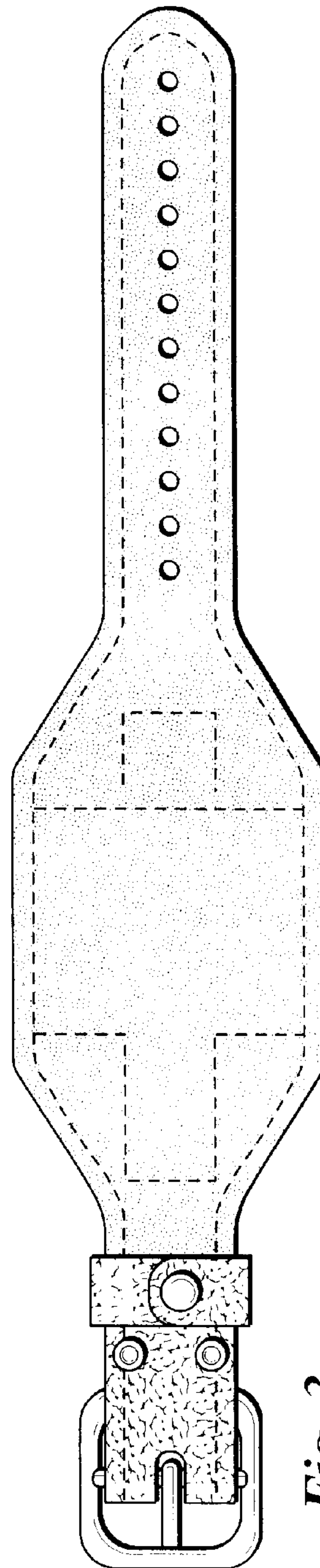


Fig. 3

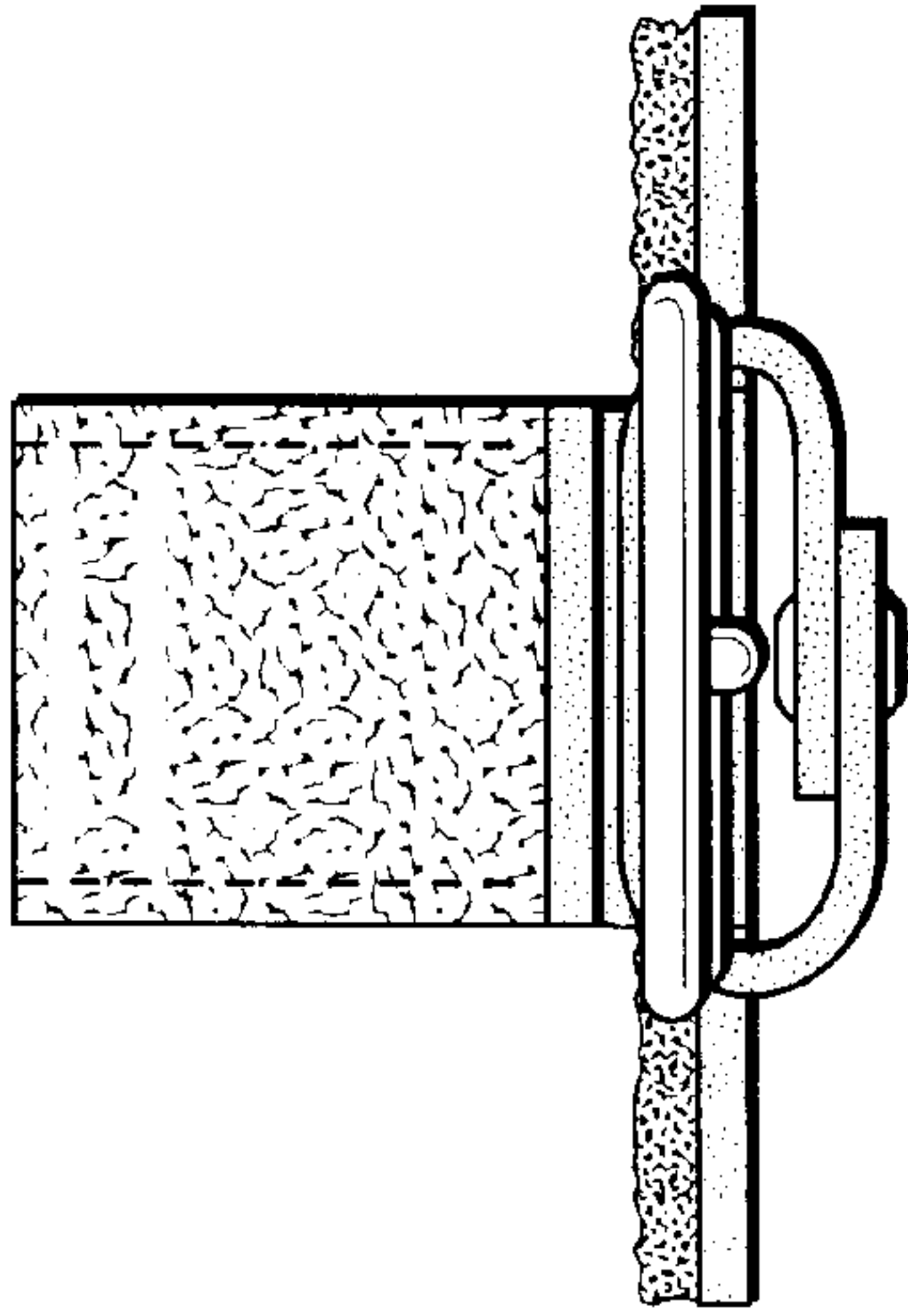


Fig. 4

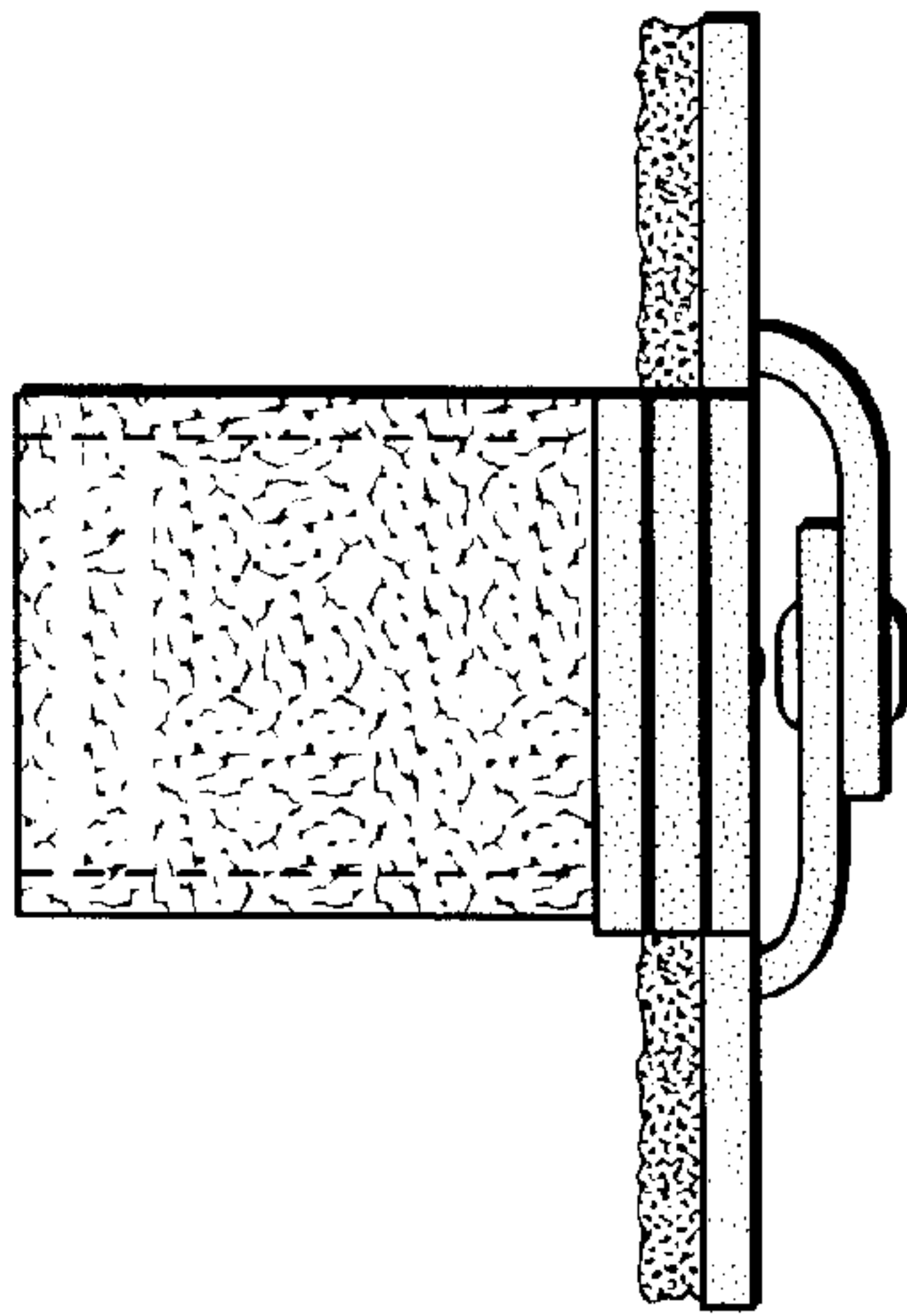


Fig. 5

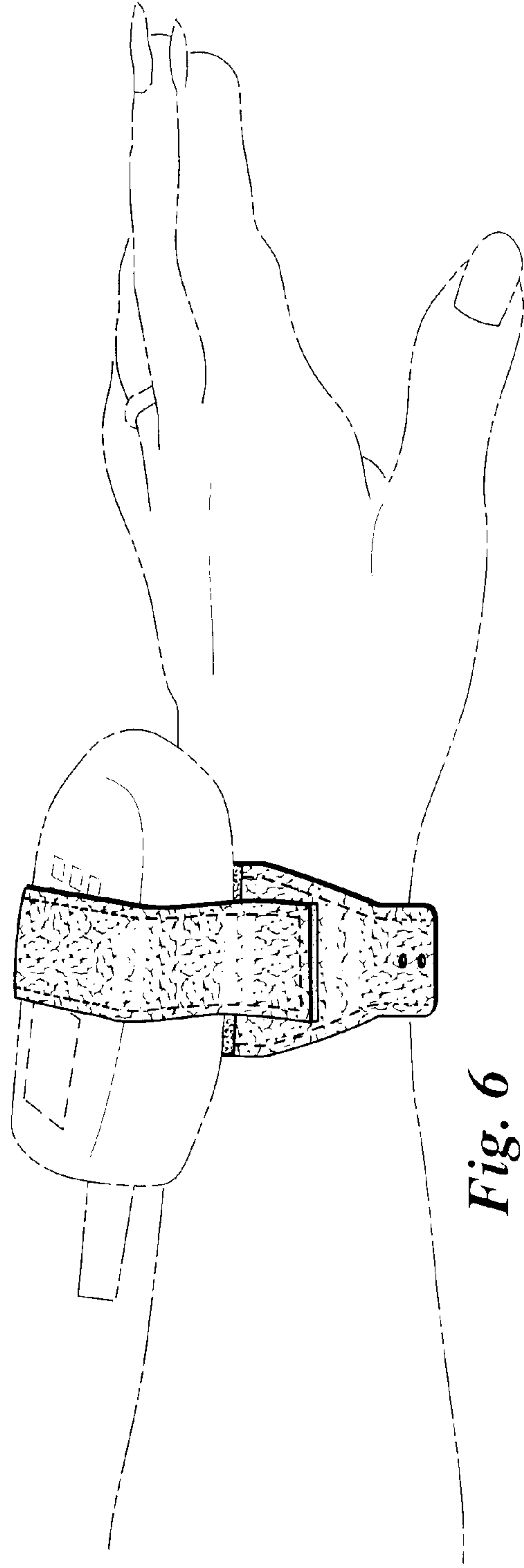


Fig. 6