



US00D536861S

(12) **United States Design Patent**
Rasmussen

(10) **Patent No.:** **US D536,861 S**
(45) **Date of Patent:** **** Feb. 20, 2007**

- (54) **PORTION OF A SHOE OUTSOLE**
- (75) Inventor: **Jeff Rasmussen**, Portland, OR (US)
- (73) Assignee: **Nike, Inc.**, Beaverton, OR (US)
- (**) Term: **14 Years**
- (21) Appl. No.: **29/247,304**
- (22) Filed: **Jun. 9, 2006**
- (51) **LOC (8) Cl.** **02-04**
- (52) **U.S. Cl.** **D2/960; D2/951; D2/954;**
D2/955; D2/957
- (58) **Field of Classification Search** D2/902,
D2/946-949, 951-960; 36/3 B, 22 R, 24.5,
36/25 R, 28, 32 R, 34 R, 67 A, 59 C
See application file for complete search history.

(56) **References Cited**

U.S. PATENT DOCUMENTS

588,768	A	*	8/1897	Kennedy	36/3 B
D68,214	S		9/1925	McDonald		
D73,143	S		7/1927	Oakley		
1,653,059	A	*	12/1927	Nelson	36/29
2,114,421	A	*	4/1938	Giuffre	36/11.5
D131,096	S	*	1/1942	Ferrettie et al.	D2/954

(Continued)

OTHER PUBLICATIONS

- Nike Footwear Catalog, Spring 1991, p. 14, published Jun. 1990.
- Nike Footwear Catalog, Holiday 1995, p. 89, published Mar. 1995.
- Nike Footwear Catalog, Fall 1998, pp. 58, 226, 228, 230, published Dec. 1997.
- Nike Footwear Catalog, Holiday 1999, pp. M49, M53, published Mar. 1999.
- Nike Footwear Catalog, Holiday 2000, p. M38, published Mar. 2000.

- Nike Footwear Catalog, Holiday 2001, p. M33, published Feb. 2001.
- Nike Footwear Catalog, Holiday 2003, p. W34, published Mar. 2003.
- Nike Footwear Catalog, Fall 2004, pp. M6, W3, published Nov. 2003.
- Nike Footwear Catalog, Late Spring 2005, p. 112, published Aug. 2004.
- Nike Footwear Catalog, Holiday 2005, pp. 120, 134, published Mar. 2005.
- Nike Footwear Catalog, Late Spring 2006, pp. 37, 236, published Sep. 2005.
- Nike Footwear Catalog, Holiday 2006, p. 11, published Mar. 2006.

Primary Examiner—Celia A. Murphy
(74) *Attorney, Agent, or Firm*—Banner & Witcoff, Ltd.

(57) **CLAIM**

The ornamental design for a portion of a shoe outsole, as shown and described.

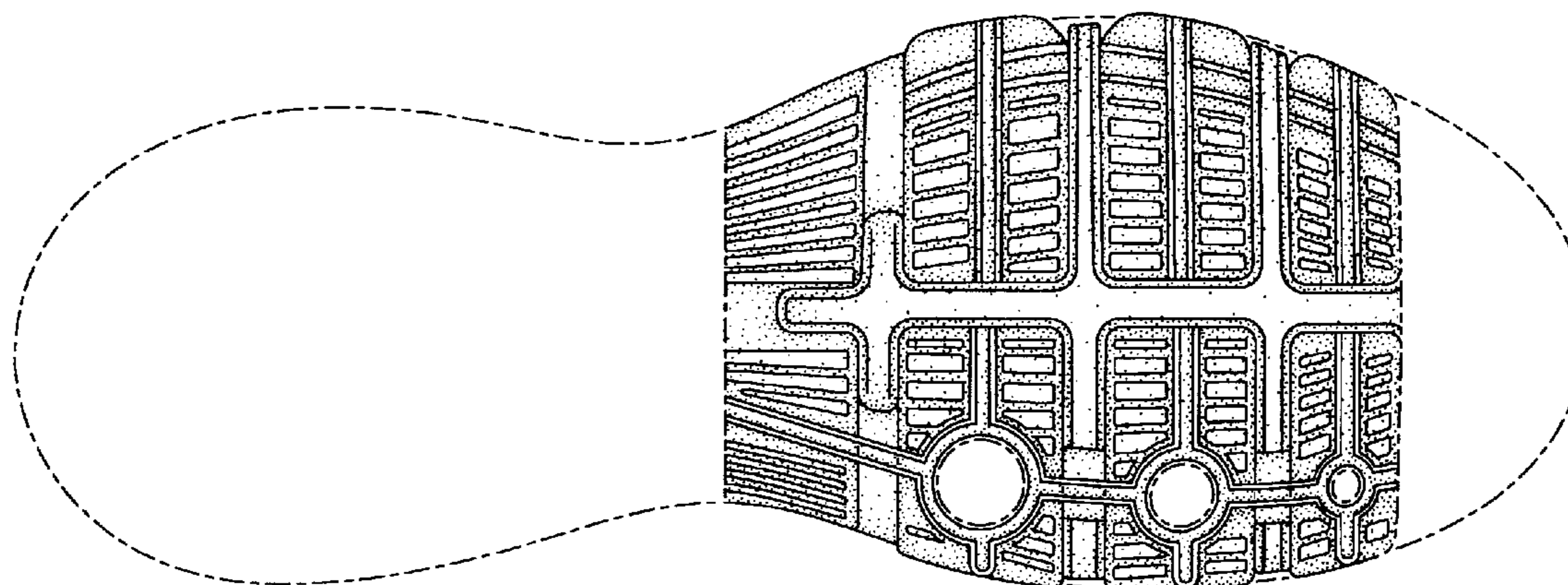
DESCRIPTION

FIG. 1 is a bottom front perspective view of a portion of a shoe outsole showing our new design; FIG. 2 is a bottom rear perspective view thereof; and, FIG. 3 is a bottom plan view thereof.

The uneven broken lines immediately adjacent to the shaded area represent unclaimed boundaries of the design. The uneven broken line showing of the circular regions within the shaded area, the shoe upper and the remainder of the shoe sole is for illustrative purposes only and forms no part of the claimed design.

The uneven broken lines immediately adjacent to the shaded area, and the circular regions within the shaded area, represent the unclaimed boundaries of the design. The uneven broken lines showing the shoe upper and the remainder of the shoe sole illustrate the portions of the design that form no part of the claim.

1 Claim, 3 Drawing Sheets



US D536,861 S

Page 2

U.S. PATENT DOCUMENTS

2,424,463 A	7/1947	Hogg	
D147,383 S	8/1947	Shaffer	
D157,989 S	4/1950	Lussier	
D160,561 S	10/1950	Steinhilber	
3,160,963 A	12/1964	Aaskov	
D201,865 S	8/1965	Bingham, Jr. et al.	
D208,761 S	10/1967	Gottlieb	
D213,416 S	3/1969	Dittmar, Jr. et al.	
D241,988 S	10/1976	Famolare, Jr.	
4,000,566 A	1/1977	Famolare, Jr. et al.	
D255,175 S	6/1980	Iwakata	
D255,286 S	6/1980	Fuzita	
4,316,334 A	2/1982	Hunt	
D265,605 S	8/1982	Batra	
D272,294 S	1/1984	Watanabe	
4,449,307 A	* 5/1984	Stubblefield	36/32 R
D285,984 S	* 10/1986	Tong et al.	D2/955
D286,342 S	10/1986	Stubblefield	
4,860,463 A	* 8/1989	Pin	36/3 B
D307,975 S	5/1990	Kittle et al.	
D319,725 S	* 9/1991	Claveria	D2/955
D320,884 S	10/1991	Brue	
D325,806 S	5/1992	Austin	
D325,808 S	* 5/1992	Austin	D2/955
D331,139 S	11/1992	Hatfield et al.	
D343,048 S	1/1994	Hauglin	
5,341,581 A	* 8/1994	Huang	36/3 B
D377,260 S	1/1997	Bramani	
D390,347 S	2/1998	Bathum	
5,797,610 A	* 8/1998	Grande et al.	280/11.202
D398,143 S	* 9/1998	Meyer	D2/951
D398,746 S	9/1998	Rask	
D401,395 S	11/1998	Clarke	
D404,902 S	* 2/1999	Pawlus	D2/959
D407,891 S	4/1999	Edwards	
D422,400 S	4/2000	Brady et al.	
D423,201 S	4/2000	Wilson	
D432,294 S	10/2000	Wilson	
D436,719 S	1/2001	Dalton	
D439,394 S	* 3/2001	Akhidime	D2/954
D440,748 S	* 4/2001	Morgan	D2/957
D455,543 S	4/2002	Feeney et al.	
D476,142 S	* 6/2003	Matis	D2/960
D476,143 S	6/2003	McDowell	
D519,265 S	4/2006	Gerber	
D521,715 S	* 5/2006	Lotti	D2/957
D527,514 S	* 9/2006	Cass	D2/953

* cited by examiner

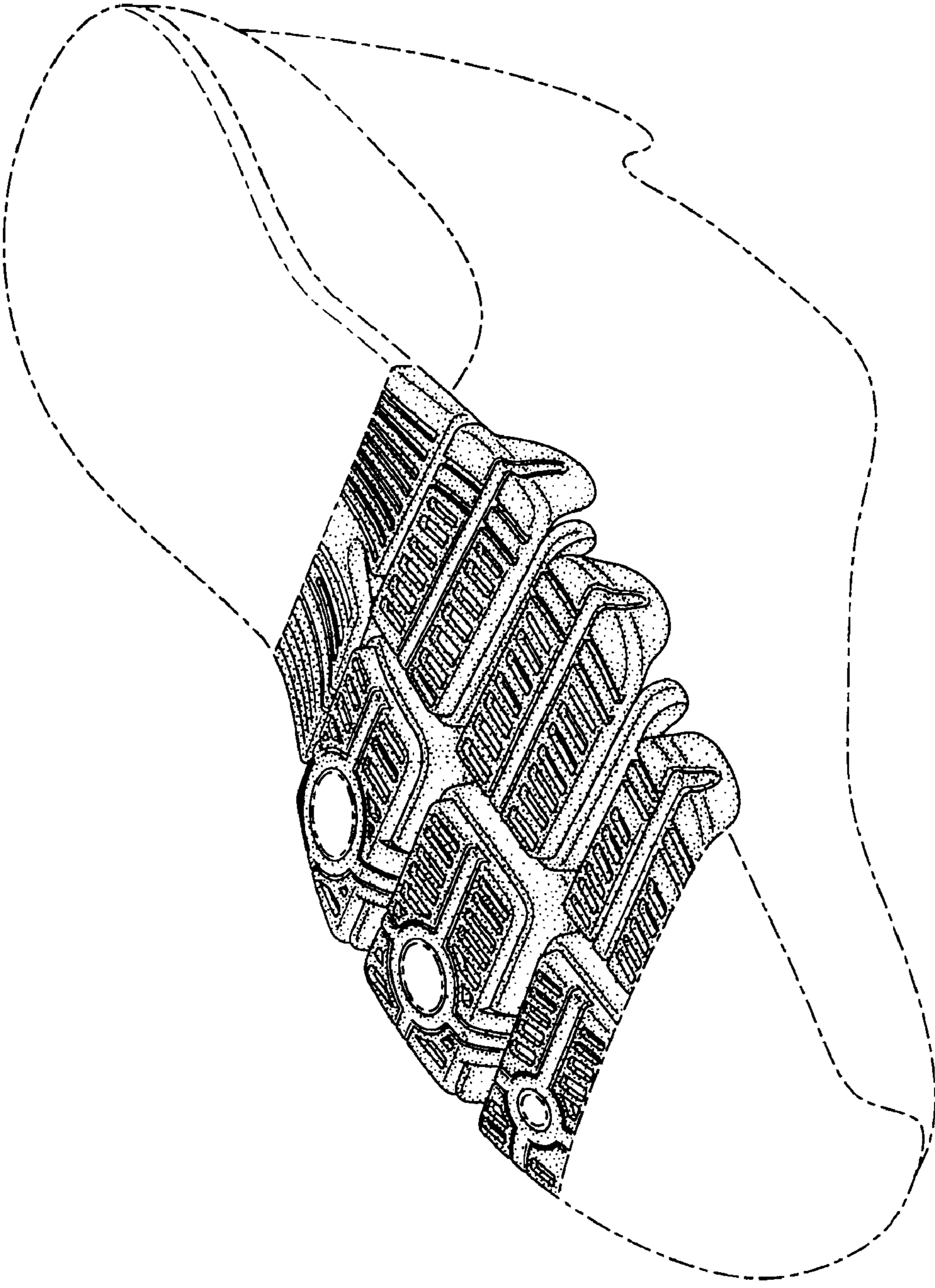


FIG. 1

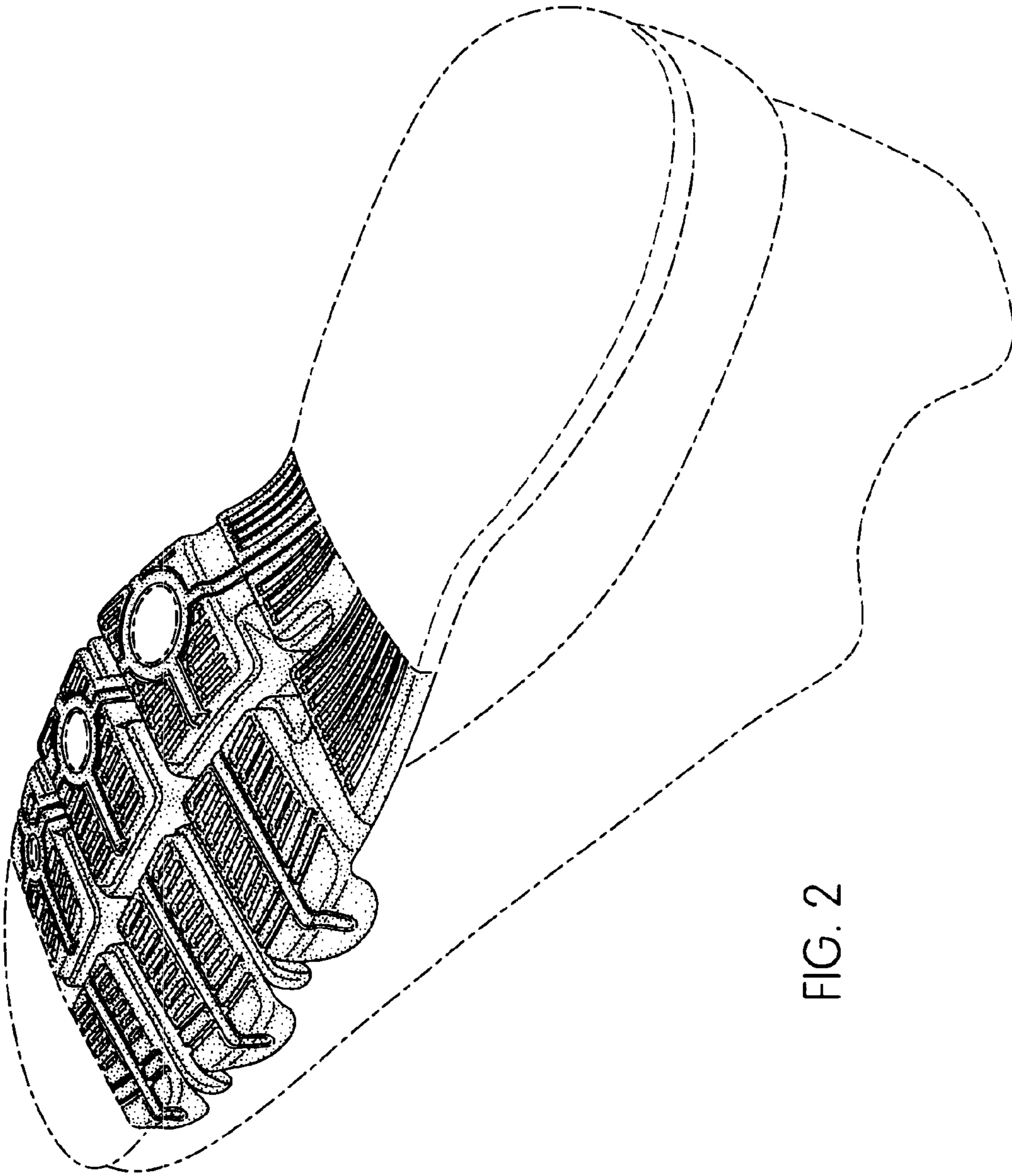


FIG. 2

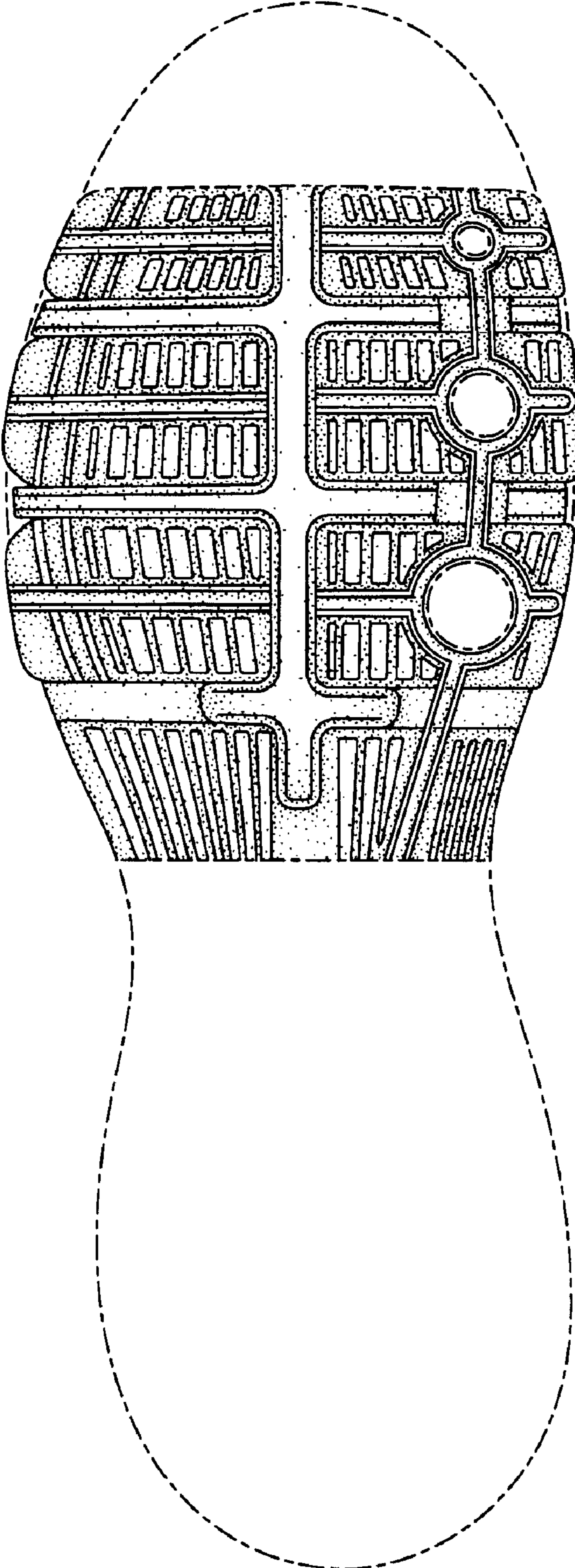


FIG. 3