



US00D536860S

(12) **United States Design Patent**
Hoey

(10) **Patent No.:** **US D536,860 S**

(45) **Date of Patent:** **** Feb. 20, 2007**

(54) **VEST**

(76) **Inventor:** **Victor J. Hoey**, 2516 Kingbird St.,
Saint Bernard, LA (US) 70085

(**) **Term:** **14 Years**

(21) **Appl. No.:** **29/235,164**

(22) **Filed:** **Jul. 29, 2005**

(51) **LOC (8) Cl.** **02-02**

(52) **U.S. Cl.** **D2/830; D2/829; D2/836**

(58) **Field of Classification Search** D2/717,
D2/718, 724, 725, 728, 749-751, 828-831,
D2/833, 834, 836, 837, 839, 840-842, 844-850,
D2/853, 857, 860-864; 2/455, 44-46, 459-462,
2/50, 51, 77, 84-87, 93-96, 100-102, 106,
2/108, 113-115, 121, 122, 247, 123; D3/215-217;
D29/100-101.4

See application file for complete search history.

(56) **References Cited**

U.S. PATENT DOCUMENTS

2,965,903	A	*	12/1960	Nodurft	2/50
3,068,500	A	*	12/1962	Silverman et al.	441/118
3,357,032	A	*	12/1967	Worcester	441/118
4,241,459	A		12/1980	Quayle		
D269,136	S		5/1983	Pressentin		
D273,910	S	*	5/1984	Teeny	D2/829
4,601,067	A		7/1986	Buonassissi		
4,654,016	A	*	3/1987	Pendleton	441/116

D305,700	S	*	1/1990	Werner	D2/864
D316,472	S	*	4/1991	Flanagan	D2/829
D352,165	S	*	11/1994	Covertson	D3/217
D357,342	S	*	4/1995	Gelinas et al.	D2/830
5,699,558	A	*	12/1997	Min	2/48
D393,140	S	*	4/1998	Shannon	D2/720
6,062,929	A		5/2000	Hallstrom		
6,108,816	A		8/2000	Bradley		
D443,404	S		6/2001	Bramhan		
D471,706	S	*	3/2003	Campagna et al.	D3/226
2003/0173390	A1	*	9/2003	Smith	224/604

* cited by examiner

Primary Examiner—Ian Simmons

Assistant Examiner—R. Johnson

(57) **CLAIM**

The ornamental design for a vest, as shown and described.

DESCRIPTION

FIG. 1 is a front elevational view of a vest showing my new design;

FIG. 2 is a rear elevational view thereof;

FIG. 3 is a left side elevational view thereof;

FIG. 4 is a right side elevational view thereof;

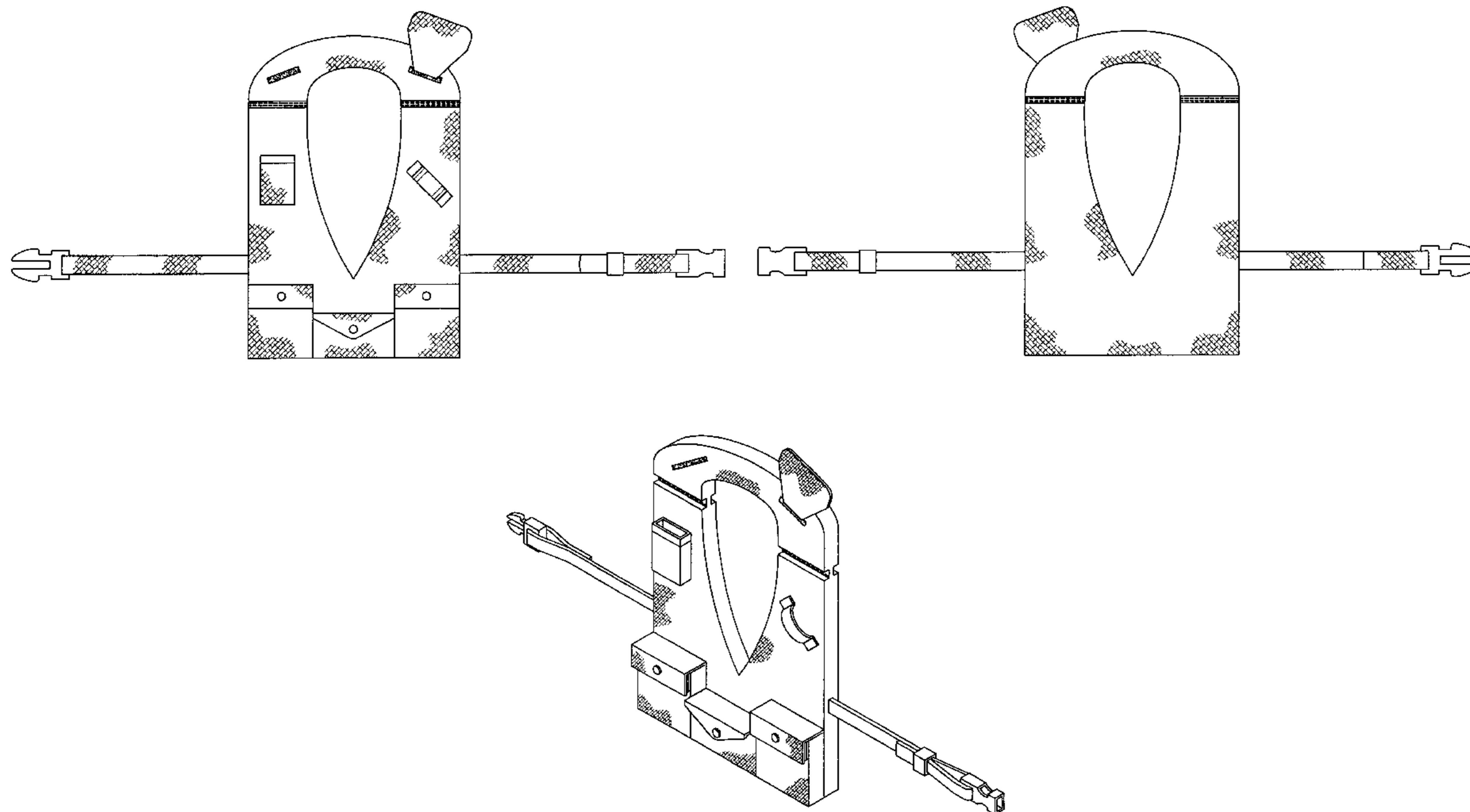
FIG. 5 is a top plan view thereof;

FIG. 6 is a bottom plan view thereof; and,

FIG. 7 is a perspective view thereof.

The broken lines in FIGS. 1 and 2 represent the portion of the design that forms no part of the claim.

1 Claim, 5 Drawing Sheets



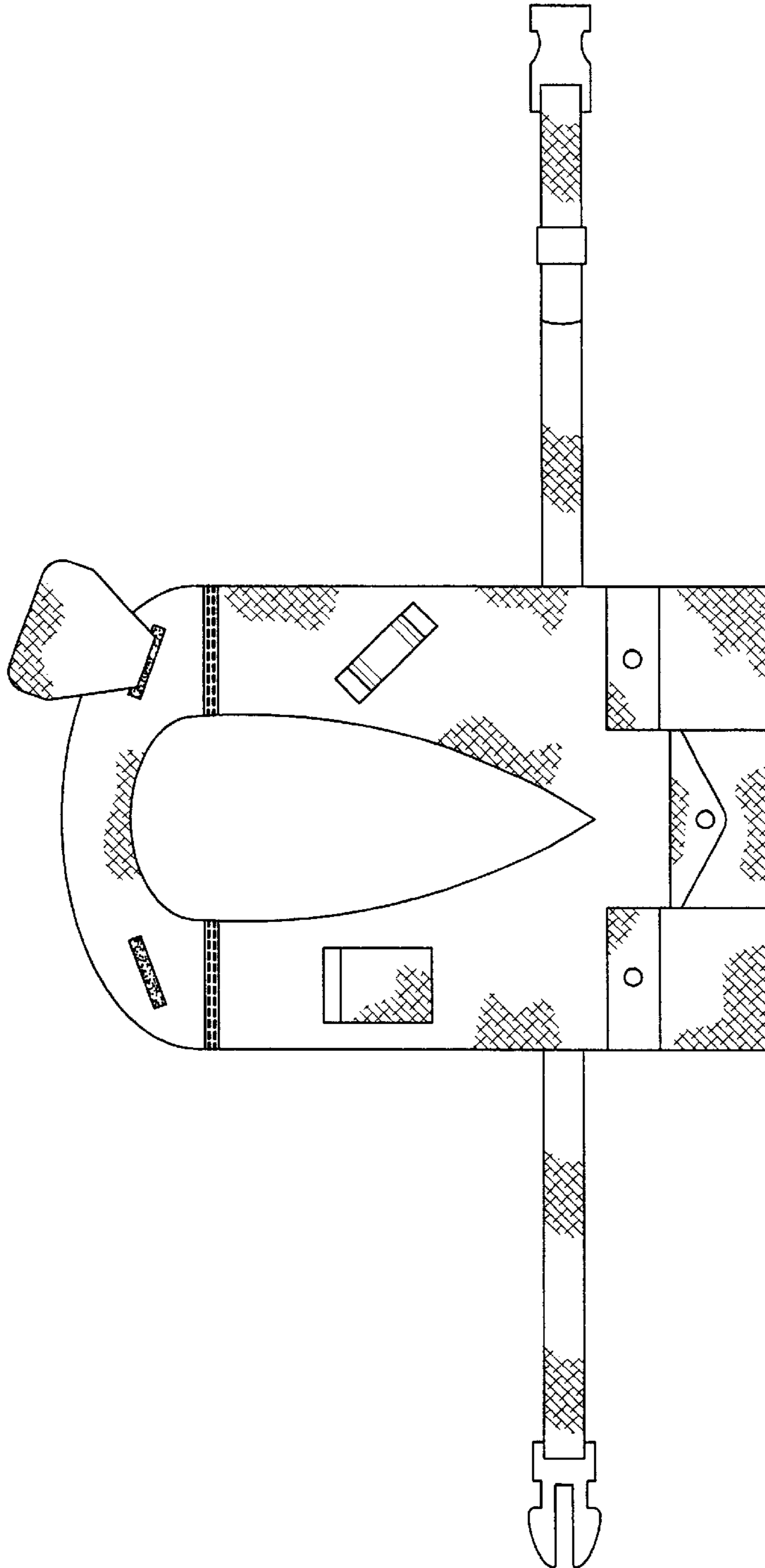


FIG. 1

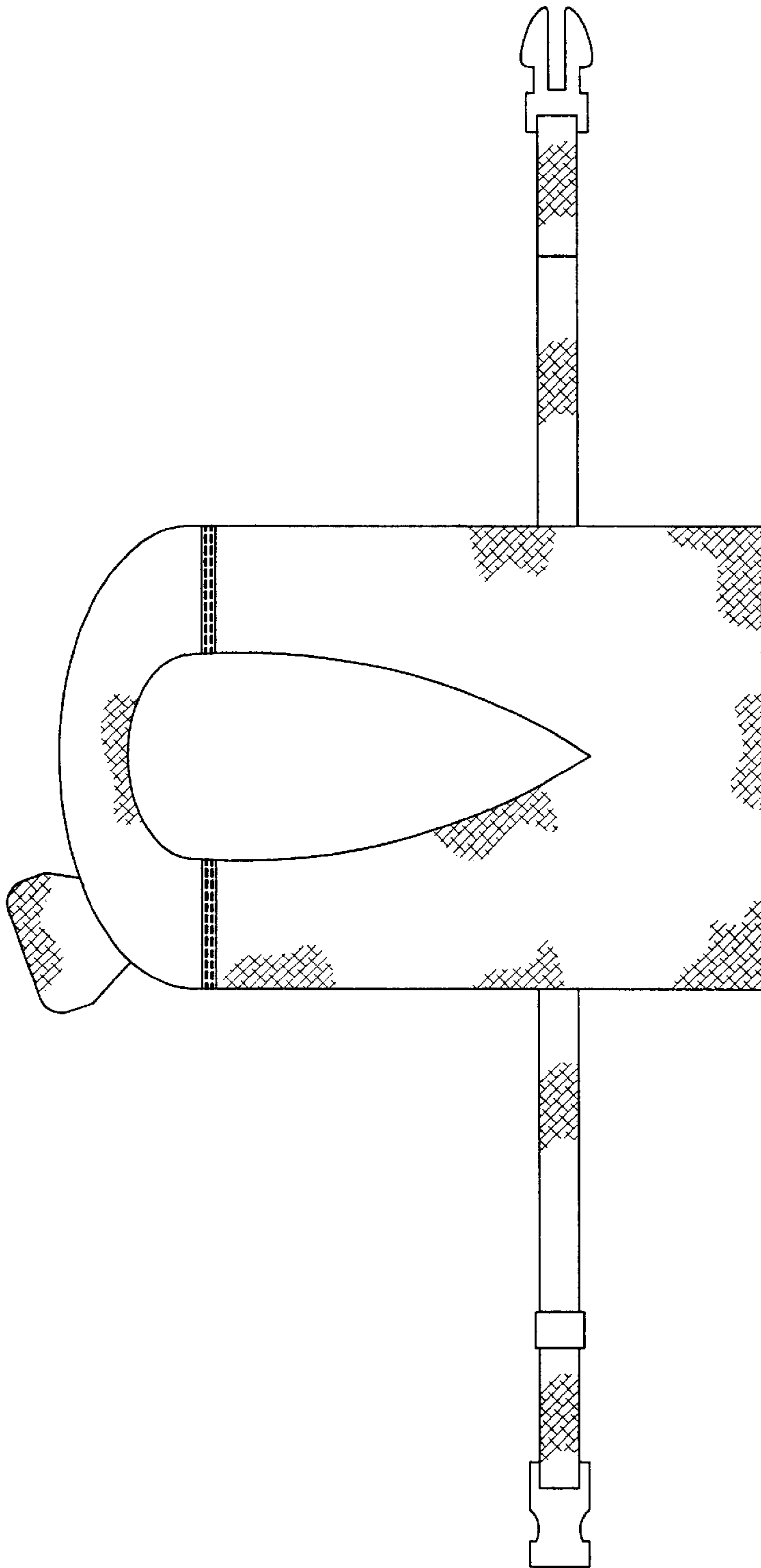


FIG.2

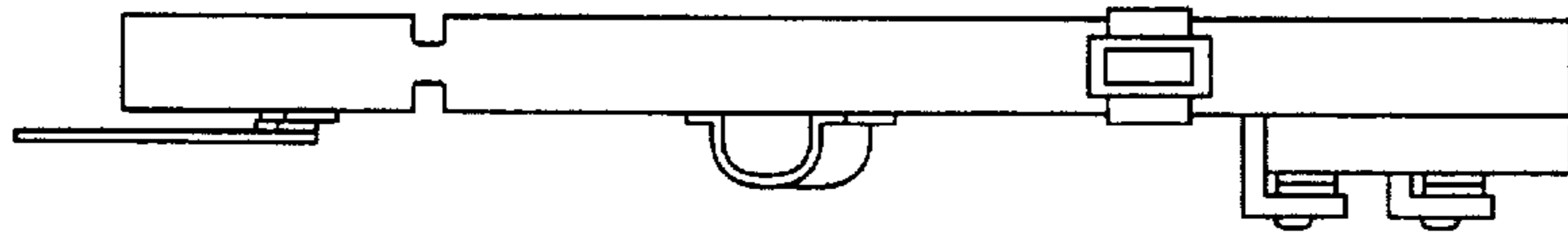


FIG.4

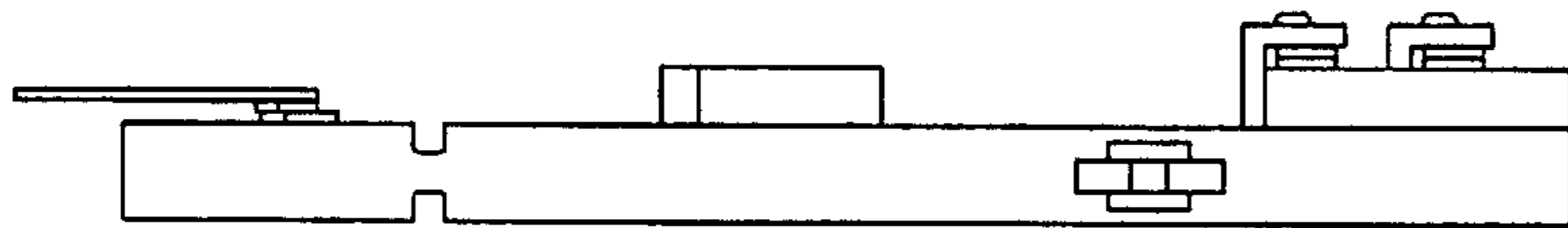


FIG.3

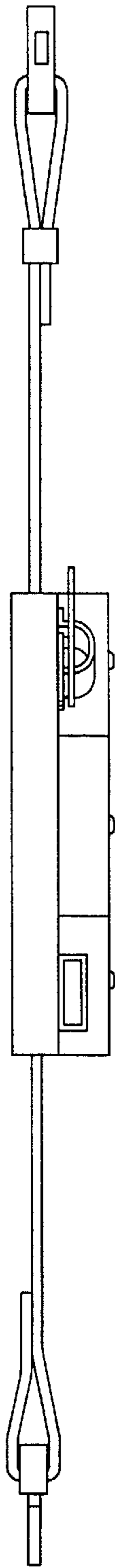


FIG. 5

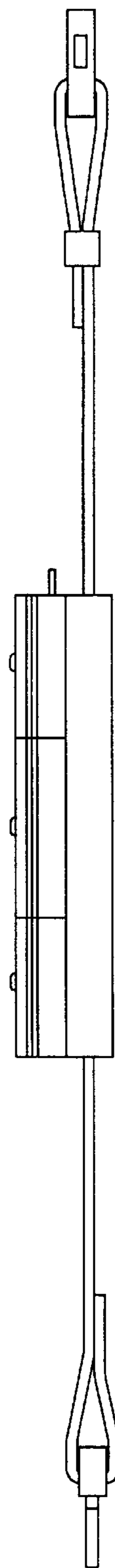


FIG. 6

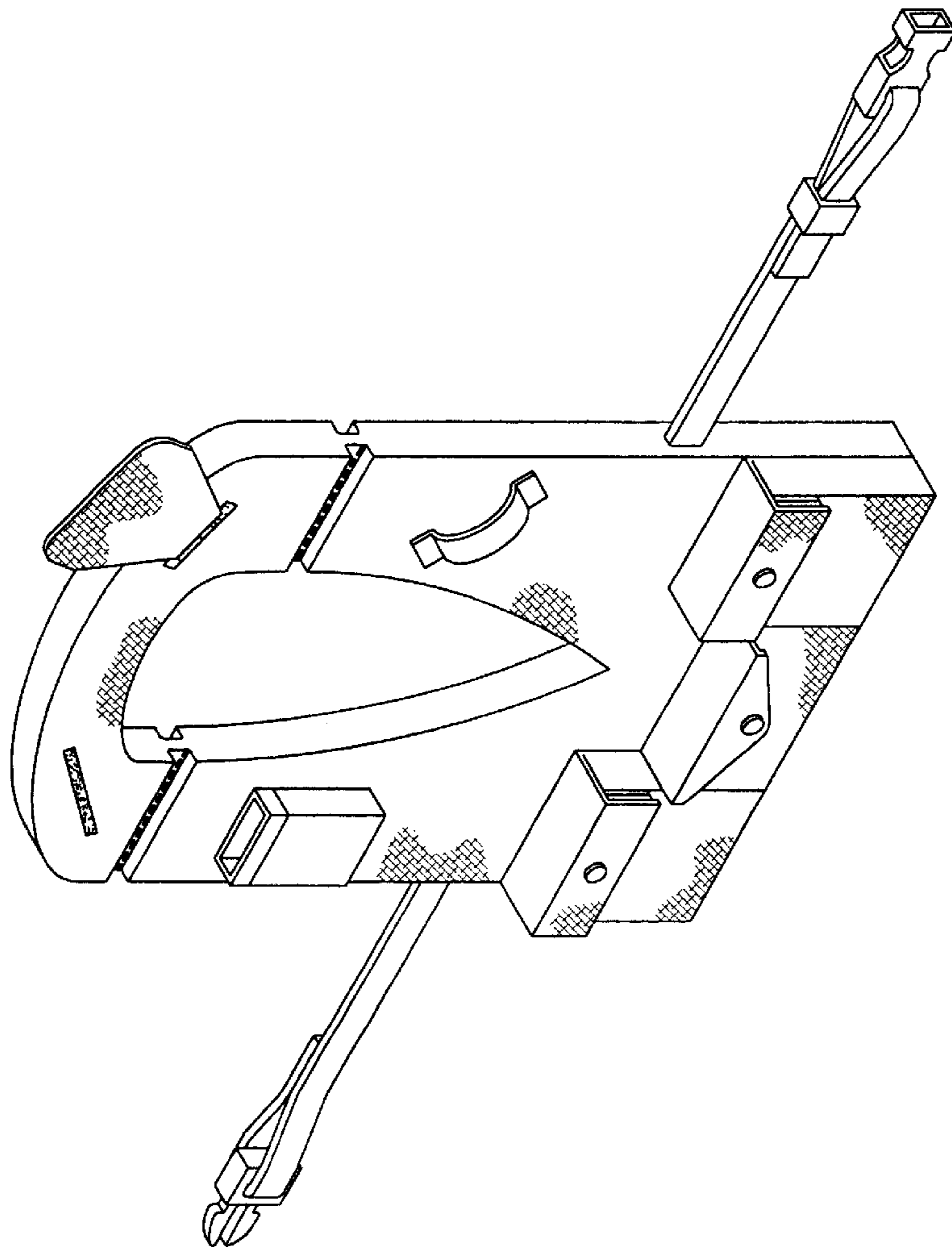


FIG.7