



US00D536850S

(12) **United States Design Patent**
Sacks

(10) **Patent No.:** **US D536,850 S**

(45) **Date of Patent:** **** Feb. 13, 2007**

(54) **SPRAYING SYSTEM FOR CLEANING WIPER OR CLEANING MOP**

(75) Inventor: **Roland Sacks**, Bubikon (CH)

(73) Assignee: **Avet AG**, Ruti/Zurich (CH)

(**) Term: **14 Years**

(21) Appl. No.: **29/236,214**

(22) Filed: **Aug. 12, 2005**

Related U.S. Application Data

(63) Continuation-in-part of application No. 29/207,472, filed on Jun. 14, 2004.

(30) **Foreign Application Priority Data**

Mar. 1, 2005 (EM) 0003052255

(51) **LOC (8) Cl.** **04-01**

(52) **U.S. Cl.** **D32/45; D23/213**

(58) **Field of Classification Search** D32/35,
D32/45; D23/209, 213; 401/40, 42, 137-140,
401/188 R, 190, 276, 278, 279

See application file for complete search history.

(56) **References Cited**

U.S. PATENT DOCUMENTS

2,053,282 A * 9/1936 Gewalt 401/138

D194,654 S * 2/1963 Gross, Jr. D23/209
3,820,905 A * 6/1974 Sims 401/140
6,340,257 B1 * 1/2002 Chia-Yi et al. 401/42
6,692,172 B1 * 2/2004 Hsu 401/138
2003/0103795 A1 * 6/2003 Hollars et al. 401/138

* cited by examiner

Primary Examiner—M. H. Tung

Assistant Examiner—Lavone D. Tabor

(74) *Attorney, Agent, or Firm*—Volpe and Koenig, PC

(57) **CLAIM**

The ornamental design for a spraying system for a cleaning wiper or cleaning mop, as shown and described.

DESCRIPTION

FIG. 1 is a top right perspective view of the spraying system for cleaning wiper or cleaning mop in accordance with my invention, the broken lines not forming a part of the claimed design and merely showing environment;

FIG. 2 is a bottom right perspective view thereof;

FIG. 3 is a front view thereof;

FIG. 4 is a right side elevational view thereof;

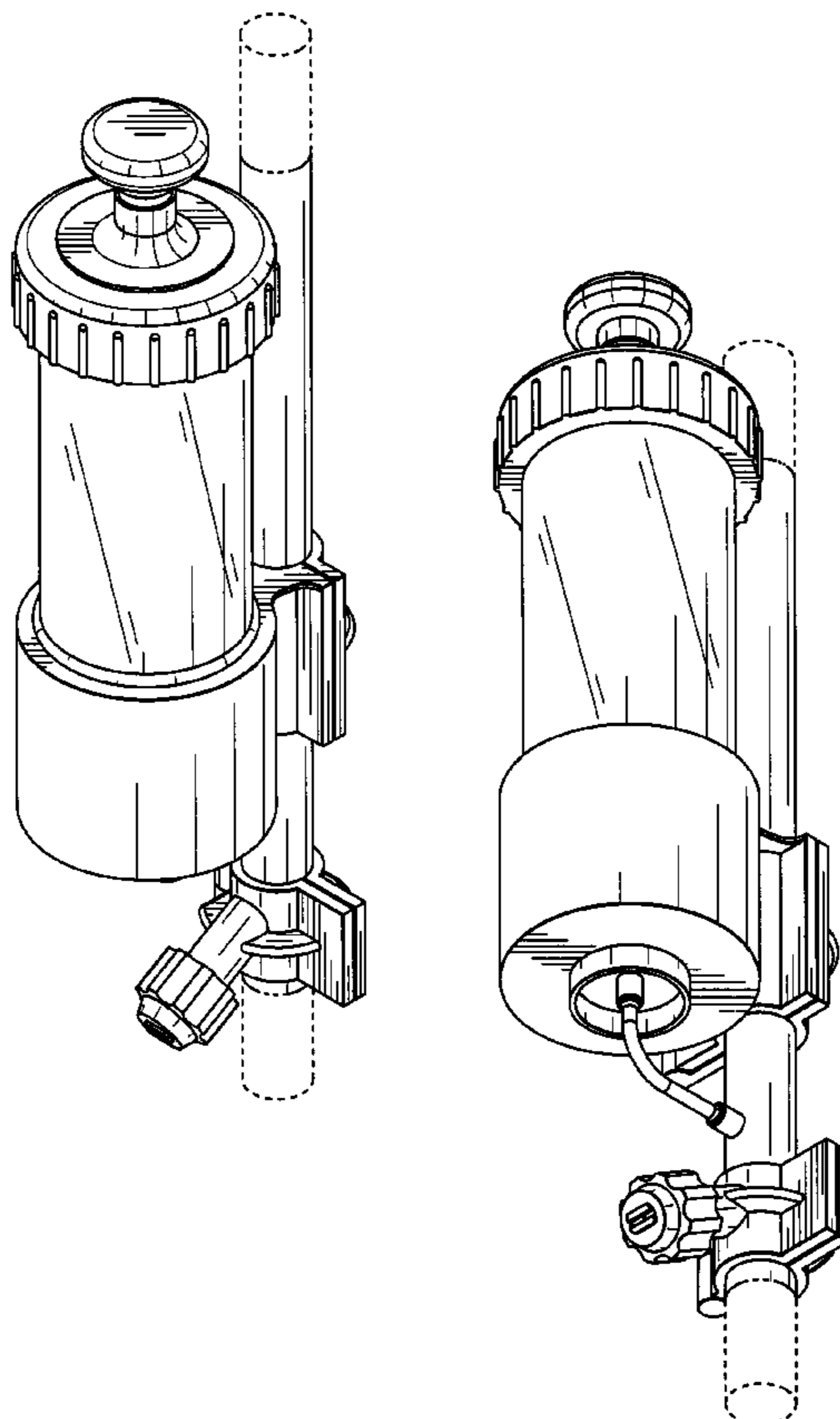
FIG. 5 is a left side elevational view thereof;

FIG. 6 is a back view thereof;

FIG. 7 is a top view thereof; and,

FIG. 8 is a bottom view thereof.

1 Claim, 4 Drawing Sheets



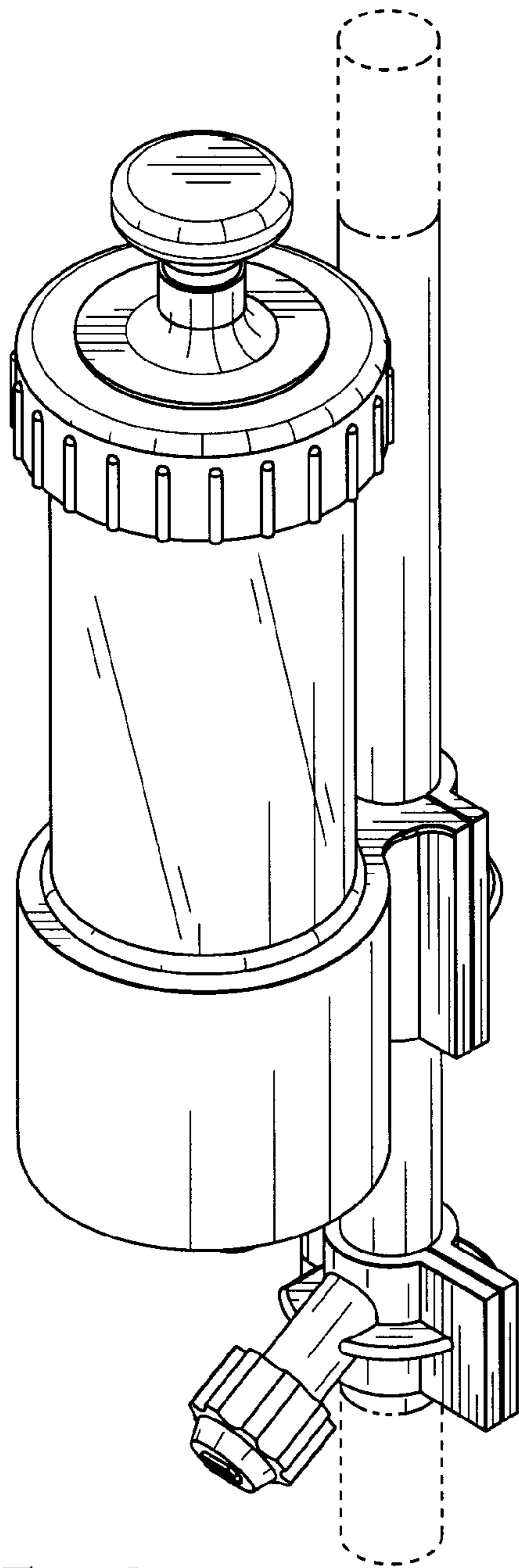


FIG. 1

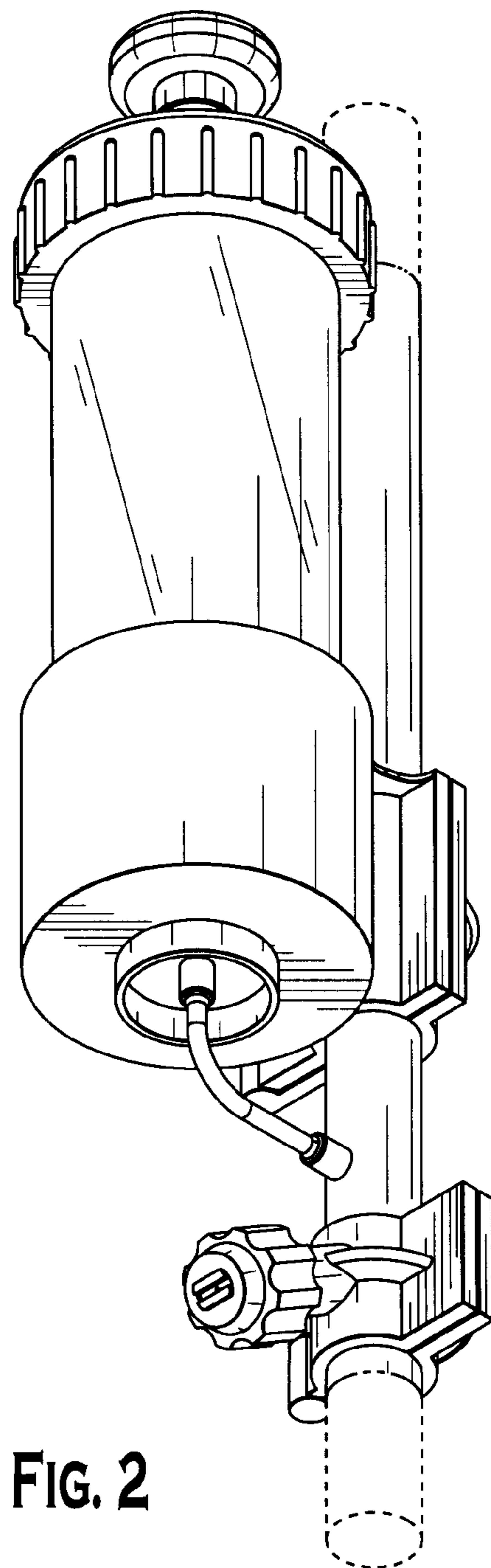


FIG. 2

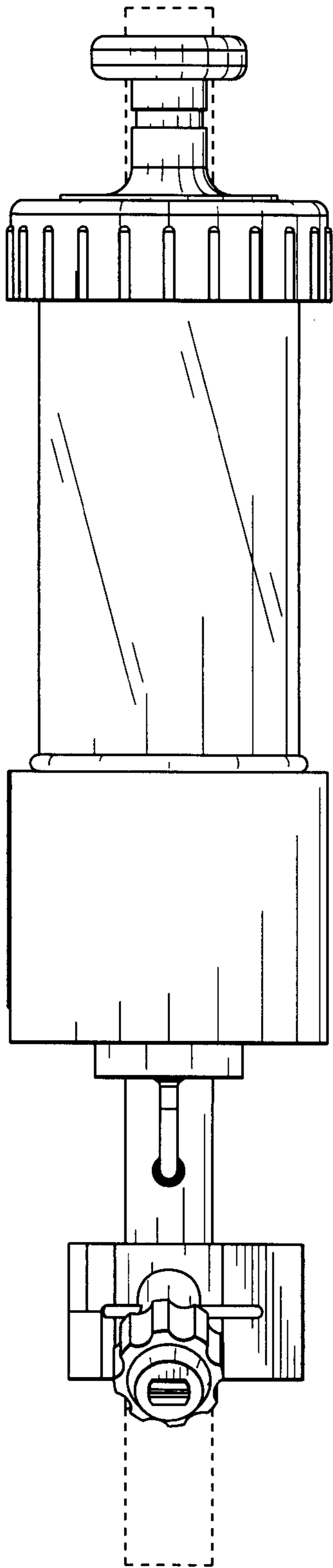


FIG. 3

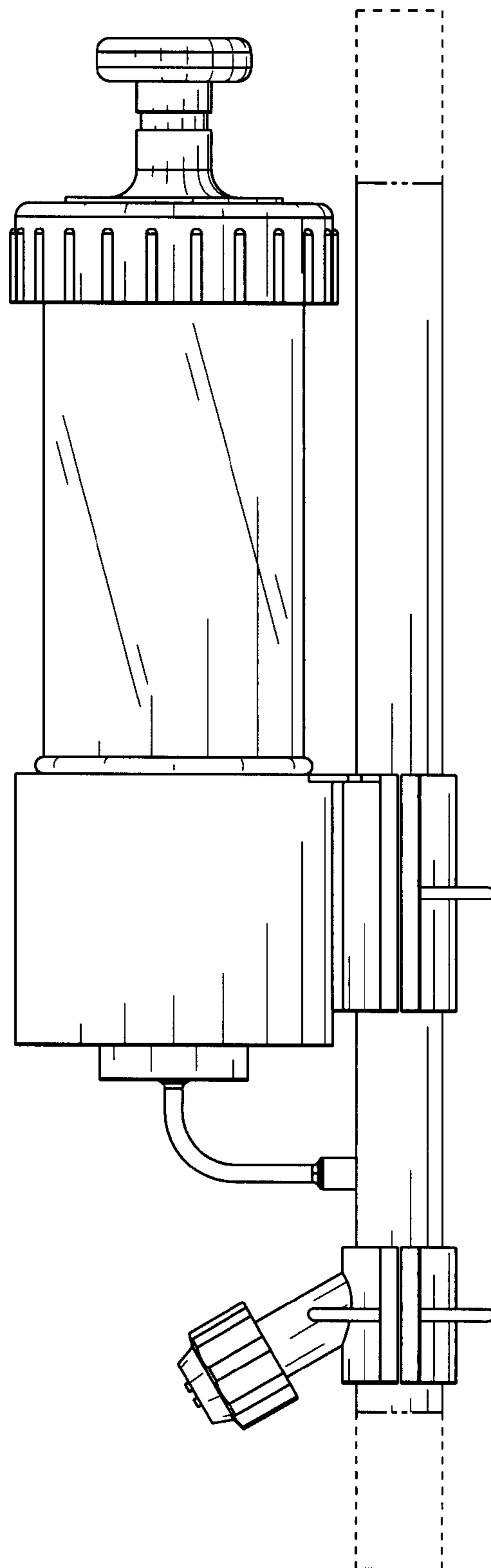


FIG. 4

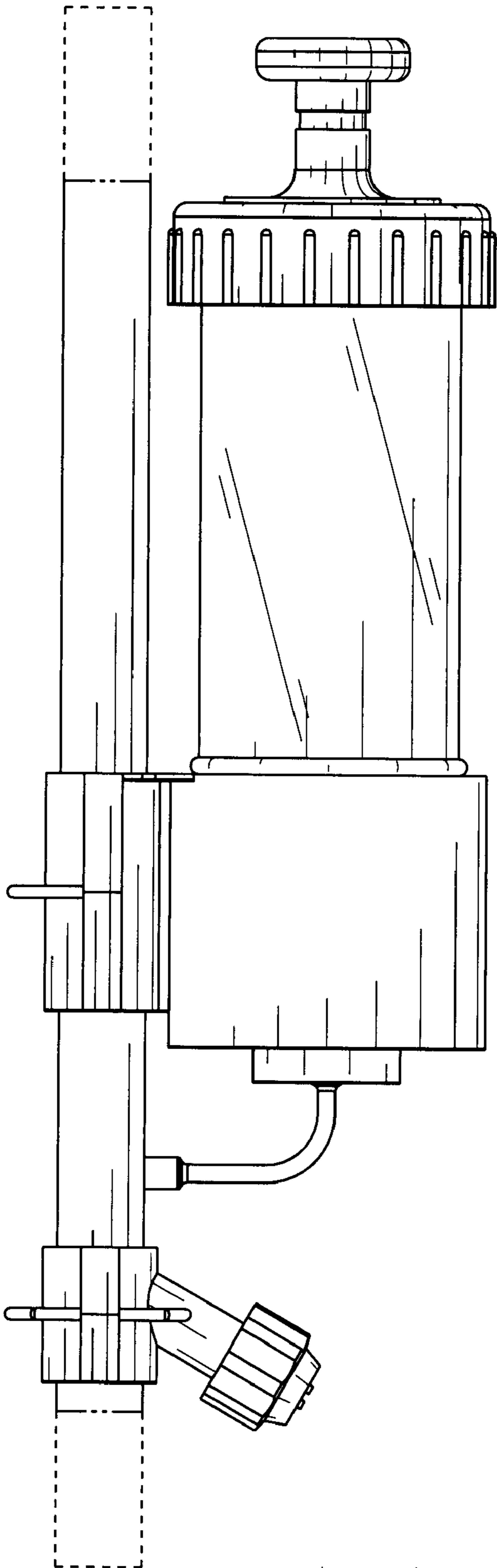


FIG. 5

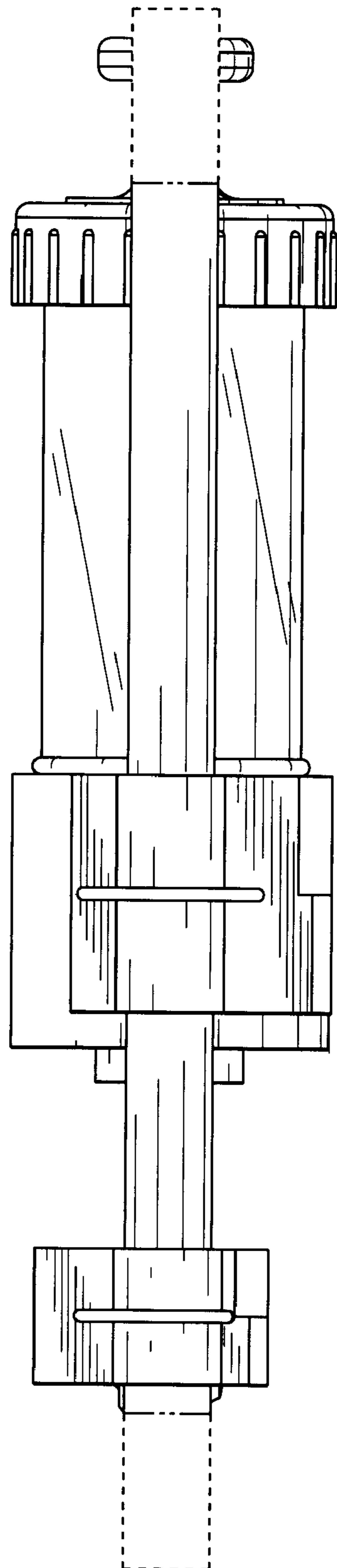


FIG. 6

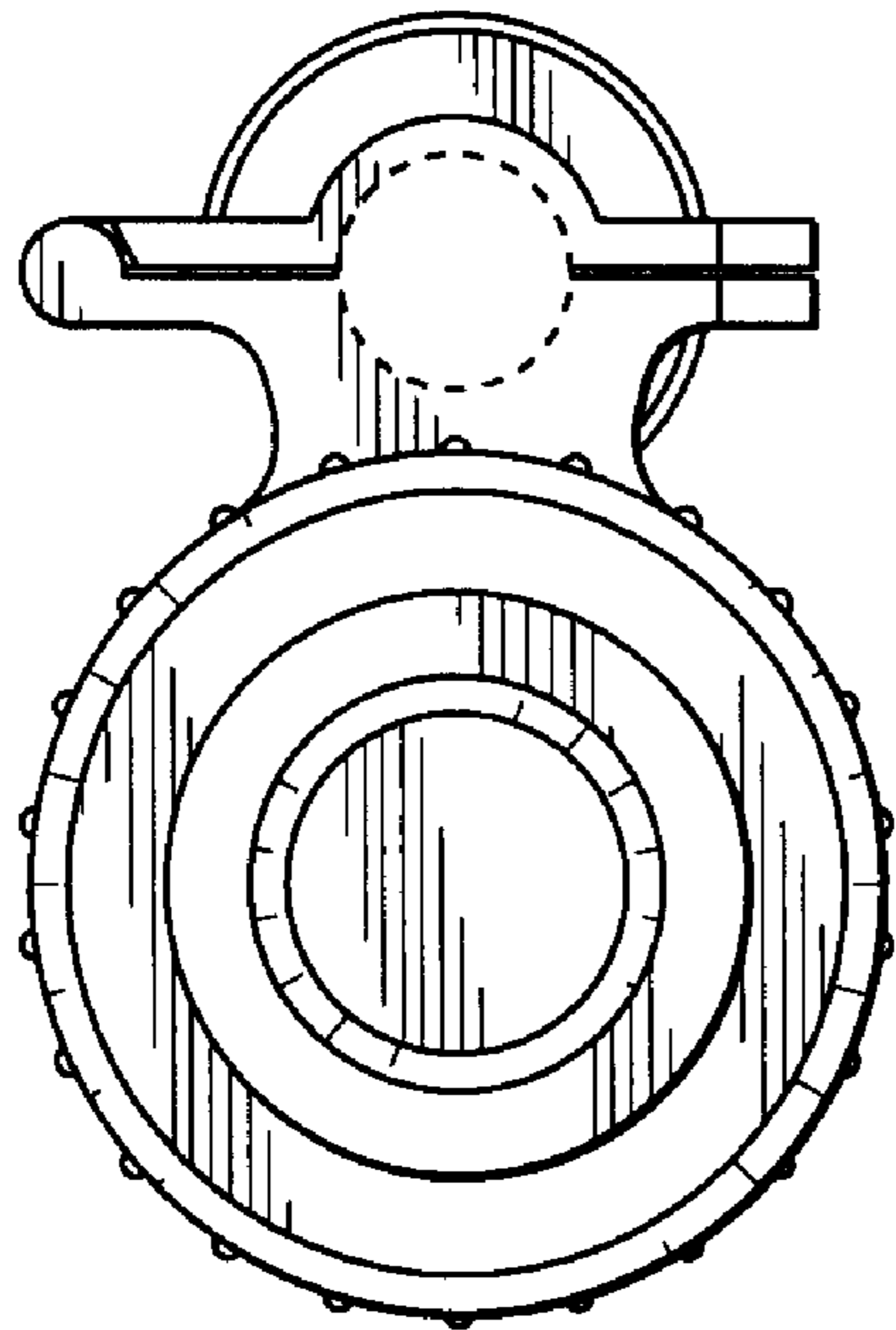


FIG. 7

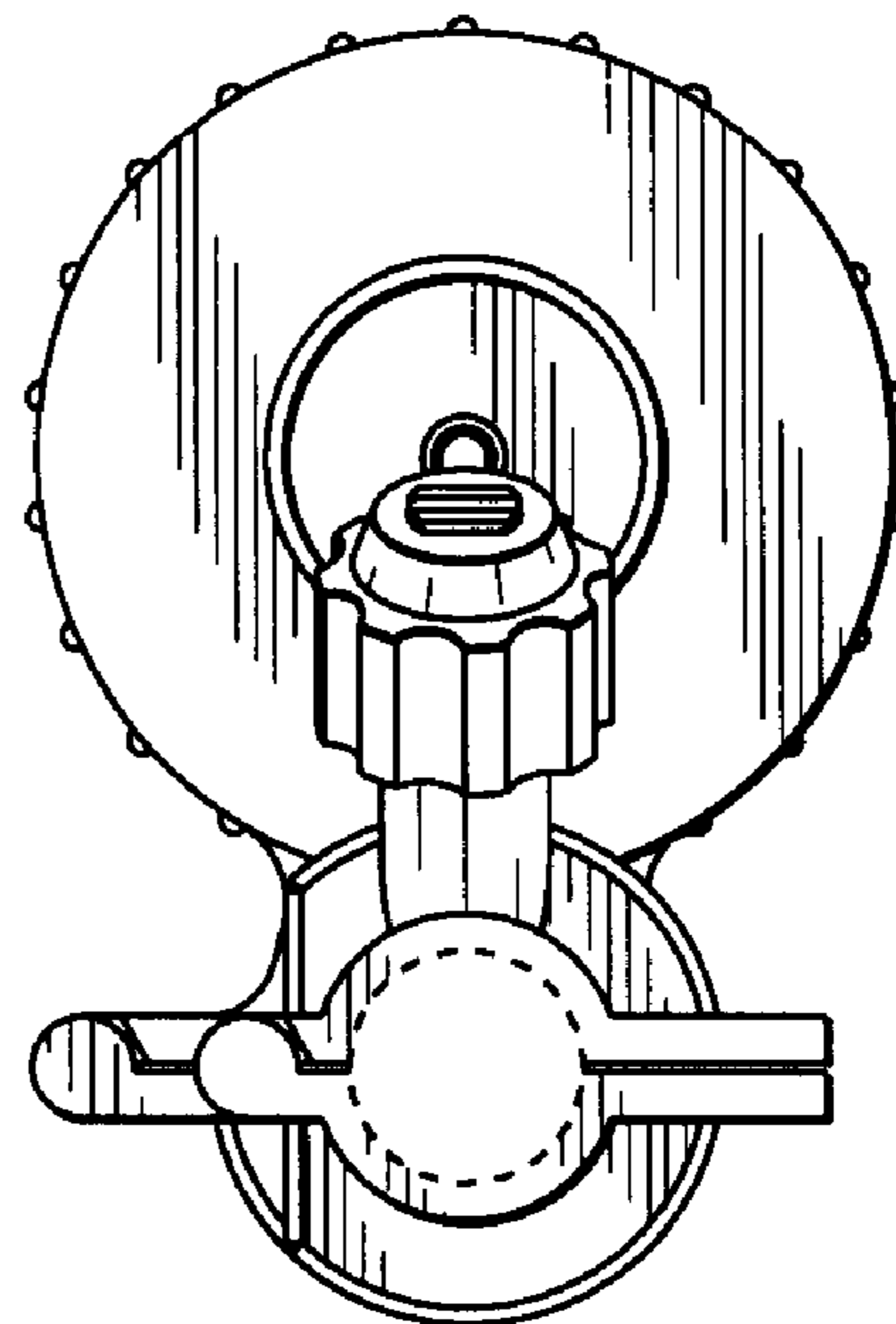


FIG. 8