



US00D536849S

(12) **United States Design Patent**
Scheifele et al.

(10) **Patent No.:** **US D536,849 S**

(45) **Date of Patent:** **** Feb. 13, 2007**

(54) **SUCTION NOZZLE FOR A FLOOR CARE APPLIANCE**

D440,721 S * 4/2001 Hirokawa D32/32
D510,466 S * 10/2005 Rosenzweig D32/32
D520,199 S * 5/2006 Frederick et al. D32/32
2005/0022338 A1 * 2/2005 Muhlenkamp 15/414

(75) Inventors: **Kevin E. Scheifele**, Tallmadge, OH (US); **Jeffrey T. DeBord**, Worthington, OH (US); **Jay F. Perkins**, Pickerington, OH (US); **Glenn Matusz**, Cuyahoga Falls, OH (US)

* cited by examiner

(73) Assignee: **The Hoover Company**, North Canton, OH (US)

Primary Examiner—Ruth McInroy
(74) *Attorney, Agent, or Firm*—A. Burgess Lowe, Esq.; Michael J. Corrigan, Esq.

(**) Term: **14 Years**

(57) **CLAIM**

(21) Appl. No.: **29/237,488**

We claim the ornamental design for a suction nozzle for a floor care appliance, as shown and described.

(22) Filed: **Sep. 1, 2005**

DESCRIPTION

(51) **LOC (8) Cl.** **15-05**

(52) **U.S. Cl.** **D32/32**

(58) **Field of Classification Search** D32/17, D32/31-33, 38-39; 15/321-322, 324, 325, 15/327.5, 329, 414, 415.1, 416, 418-422, 15/422.1, 354, 363, 366, 334, 338, 41.1; 362/91; 43/139; 134/113; D26/29, 34-35, D26/51, 139

FIG. 1 is a perspective view of a suction nozzle for a floor care appliance showing our new design;

FIG. 2 is a top view thereof;

FIG. 3 is a front side view thereof; and,

FIG. 4 is a cross-sectional view thereof taken along line 4-4 of FIG. 2.

See application file for complete search history.

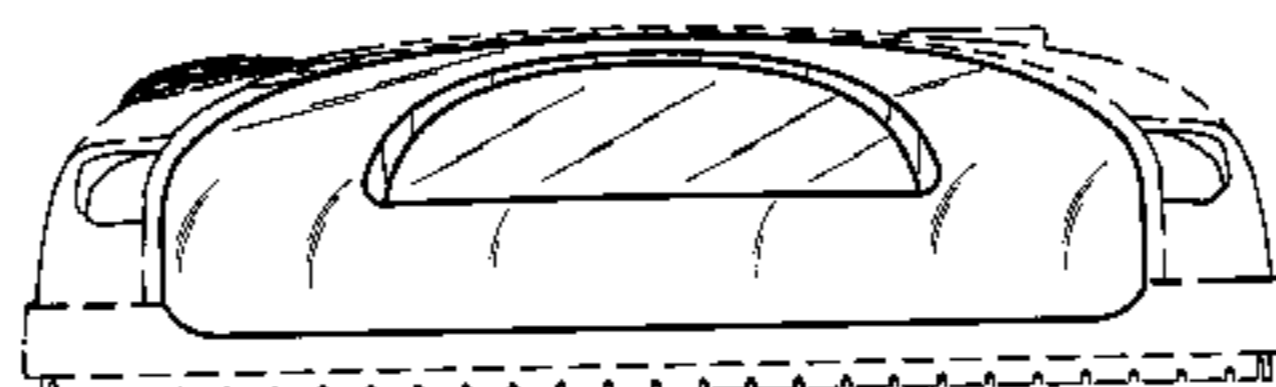
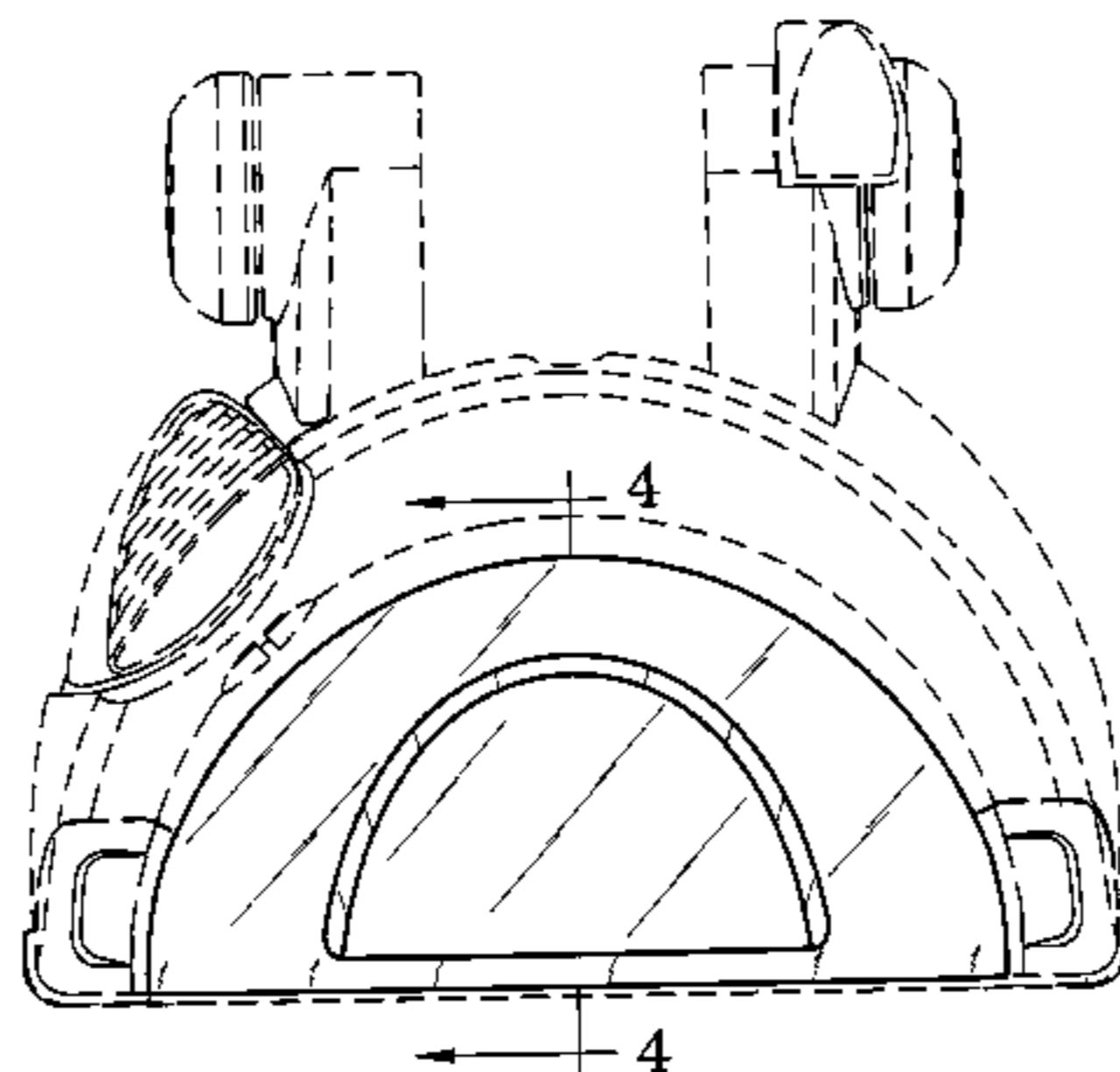
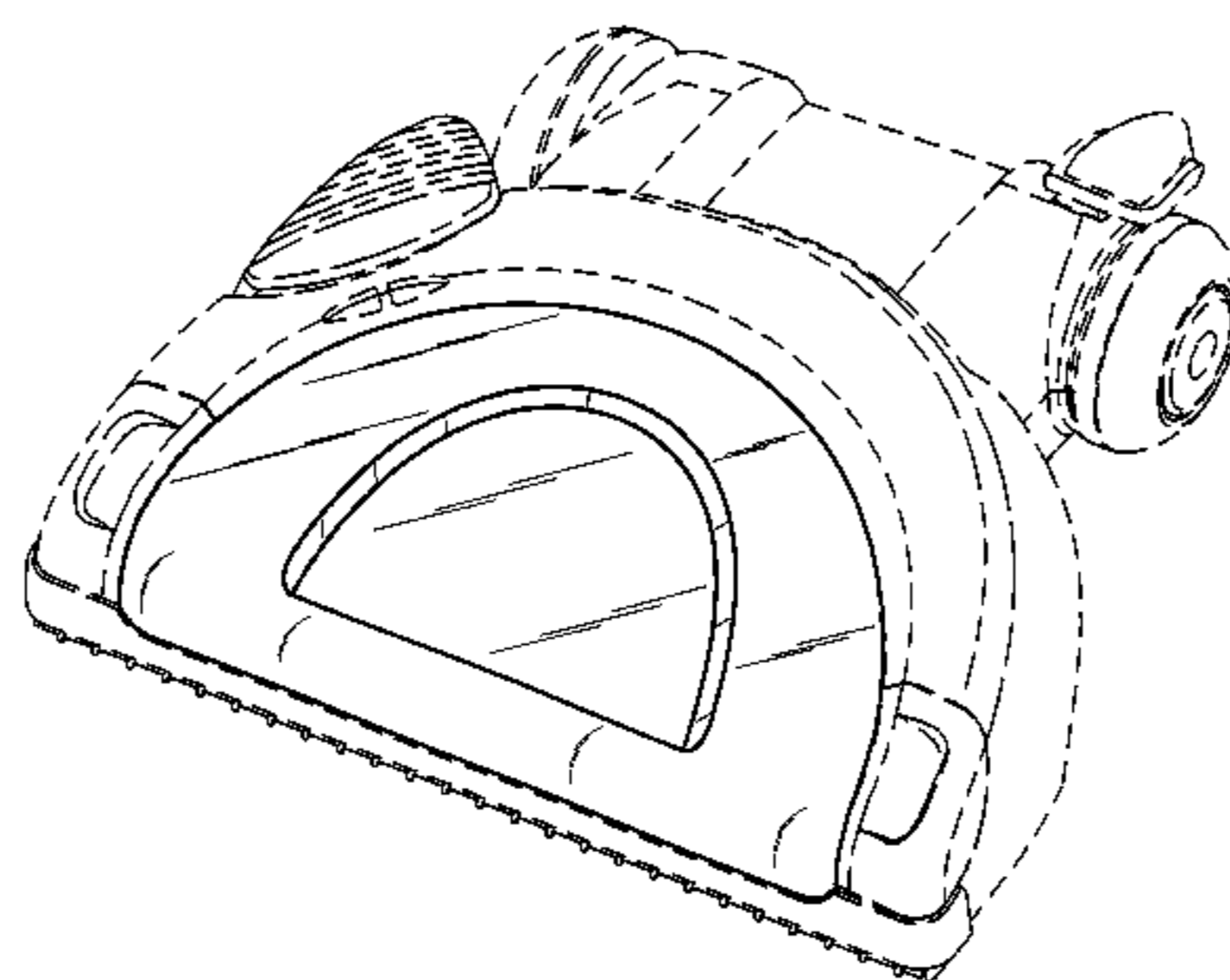
The portion shown in dashed lines is for illustrative purposes only and forms no part of the claimed design.

(56) **References Cited**

U.S. PATENT DOCUMENTS

D104,418 S * 5/1937 Williams D32/38

1 Claim, 3 Drawing Sheets



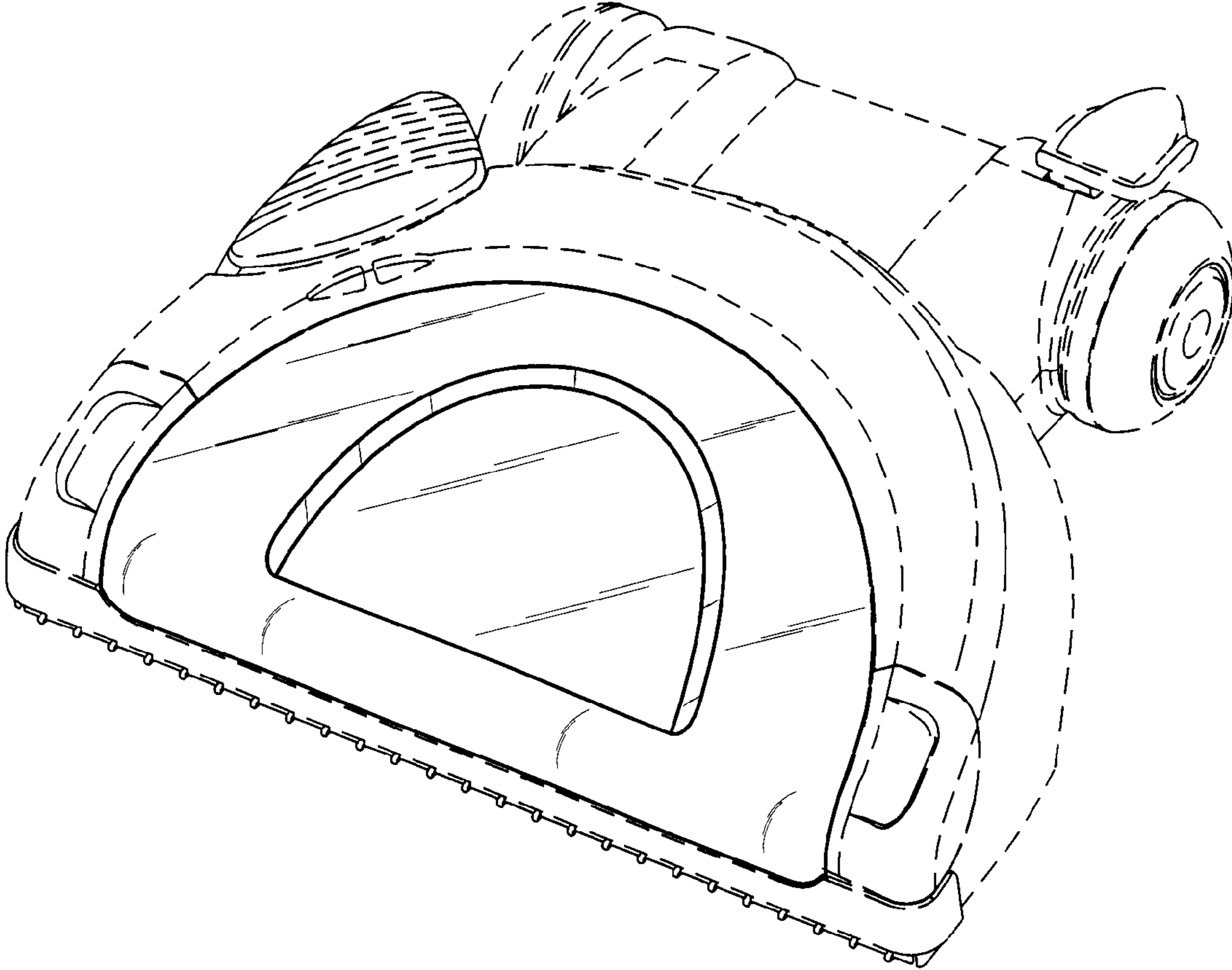


FIG-1

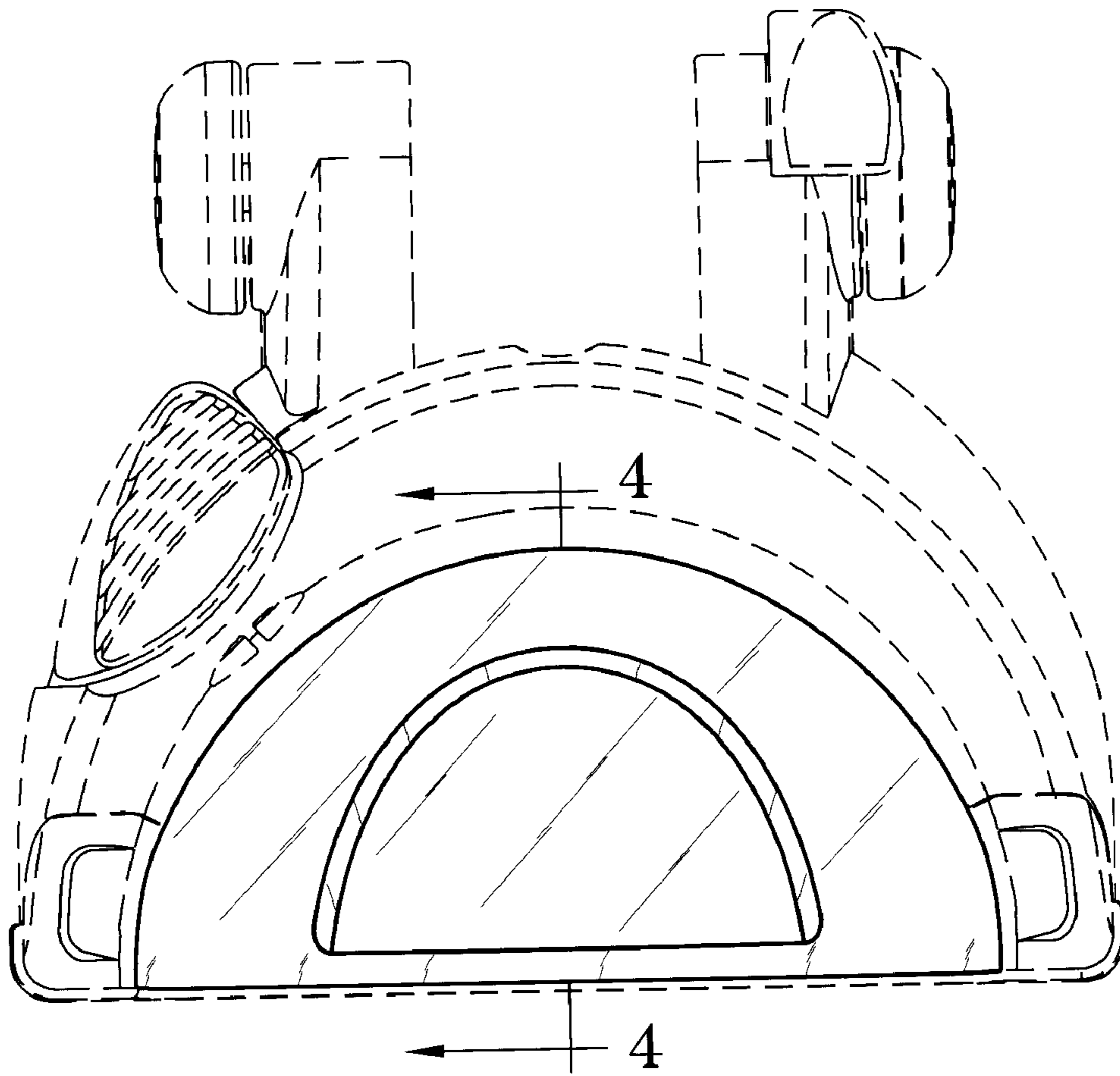


FIG-2

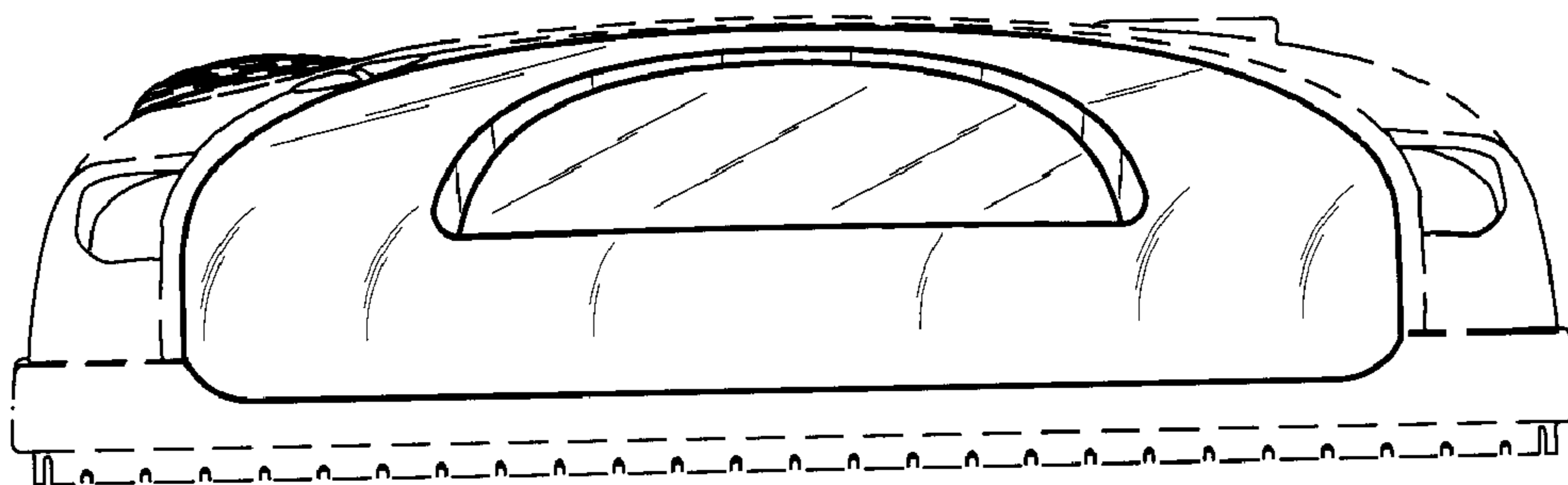


FIG-3

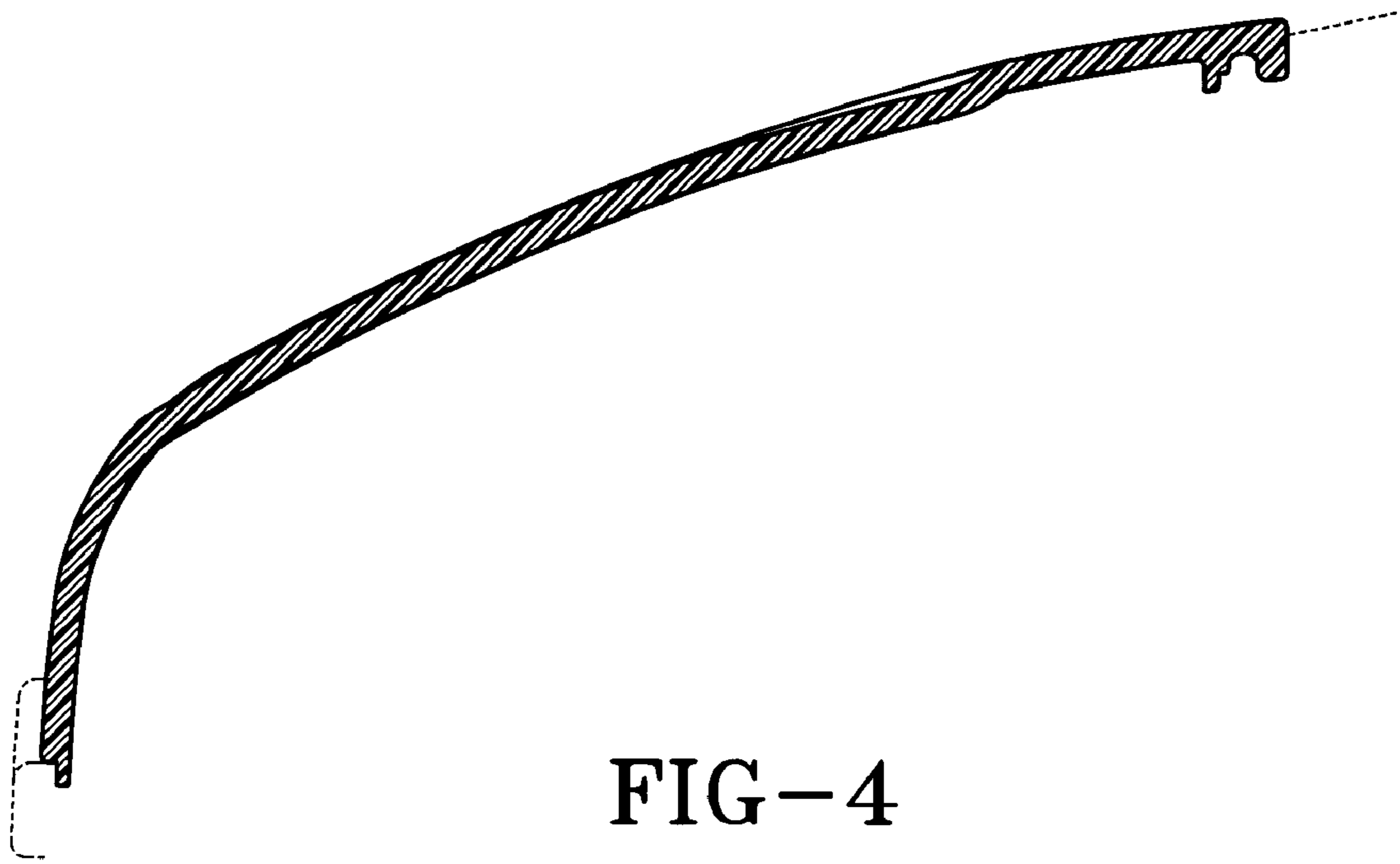


FIG-4