

US00D536848S

(12) **United States Design Patent**
Shin

(10) **Patent No.:** **US D536,848 S**

(45) **Date of Patent:** **** Feb. 13, 2007**

(54) **VACUUM CLEANER**

(75) Inventor: **Hyun Sun Shin**, Gunpo-Si (KR)

(73) Assignee: **LG Electronics Inc.**, Seoul (KR)

(**) Term: **14 Years**

(21) Appl. No.: **29/229,785**

(22) Filed: **May 12, 2005**

(30) **Foreign Application Priority Data**

Nov. 15, 2004 (KR) 30-2004-0034723

(51) **LOC (8) Cl.** **15-05**

(52) **U.S. Cl.** **D32/22**

(58) **Field of Classification Search** D32/22,
D32/31; 15/222, 320-322, 326, 329, 347,
15/350, 352-354, 361, 410, 412, 415.1; 55/337,
55/345, 459.1, 429, DIG. 3

See application file for complete search history.

(56) **References Cited**

U.S. PATENT DOCUMENTS

D399,619 S * 10/1998 Nakano et al. D32/22

D510,465 S * 10/2005 Takahashi et al. D32/22

D516,760 S * 3/2006 Choi D32/22

D518,928 S * 4/2006 Chiba D32/22

D521,699 S * 5/2006 Greene et al. D32/22

* cited by examiner

Primary Examiner—Ruth McInroy

(74) *Attorney, Agent, or Firm*—Birch, Stewart, Kolasch & Birch, LLP

(57) **CLAIM**

The ornamental design for a vacuum cleaner, as shown.

DESCRIPTION

FIG. 1 is a front, left perspective view of the vacuum cleaner showing my new design;

FIG. 2 is a front view thereof;

FIG. 3 is a rear view thereof;

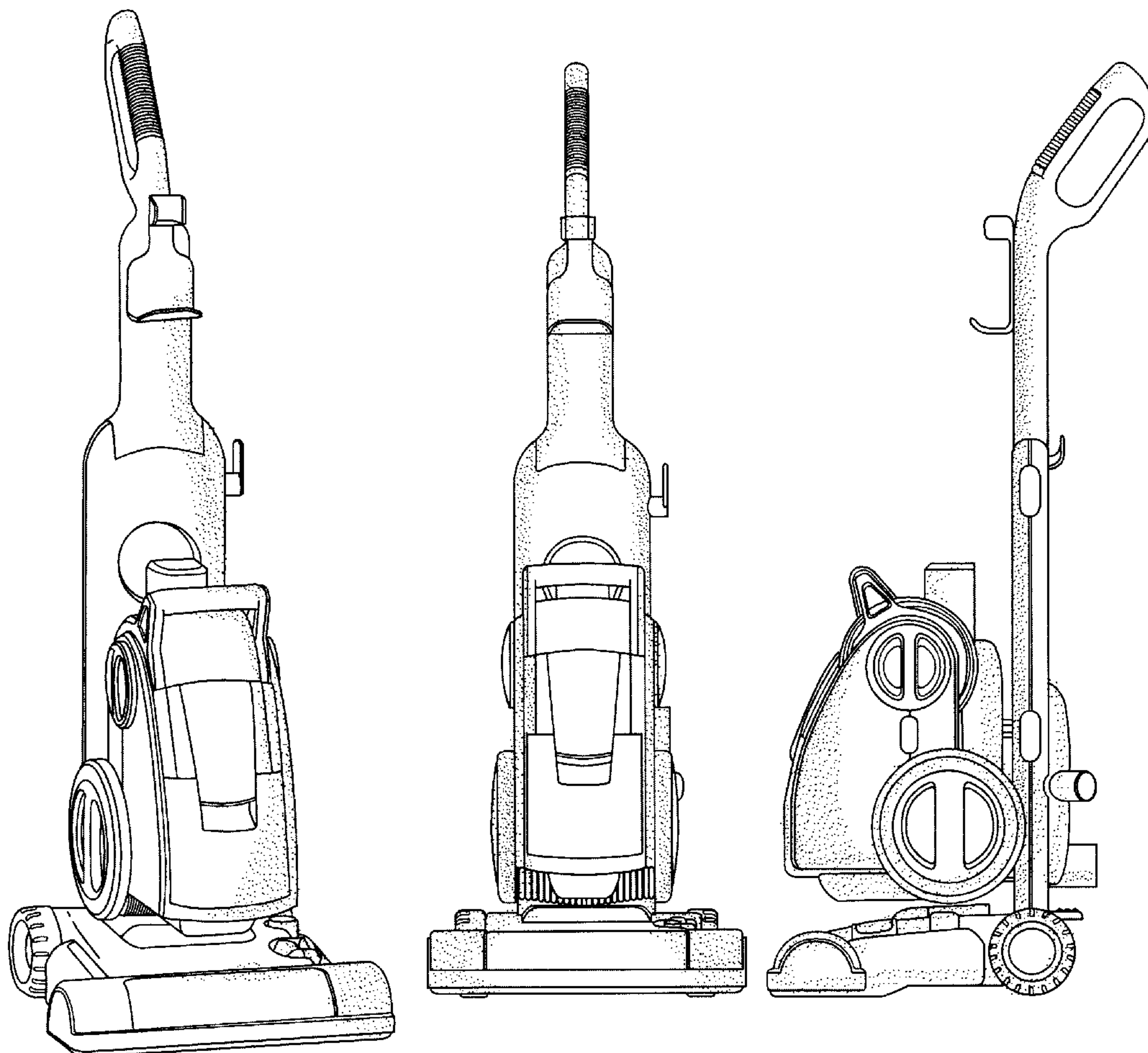
FIG. 4 is a left side view thereof;

FIG. 5 is a right side view thereof;

FIG. 6 is a top view thereof; and,

FIG. 7 is a bottom view thereof.

1 Claim, 6 Drawing Sheets



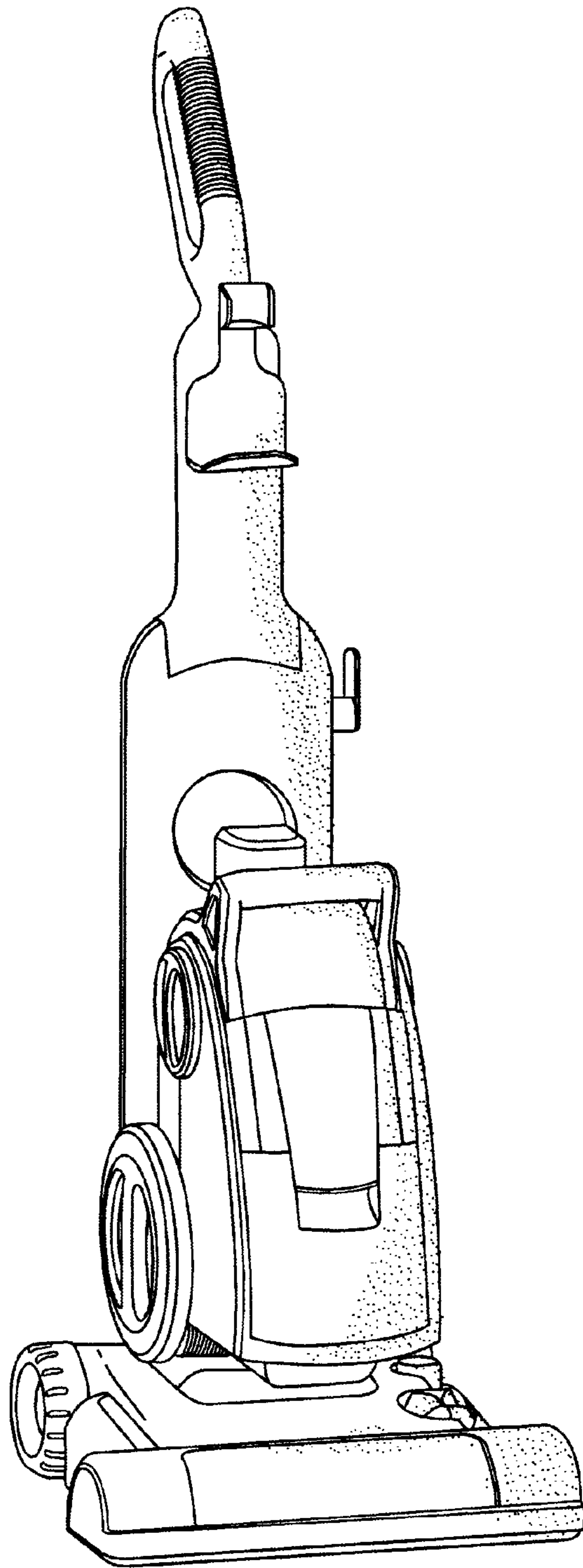


FIG. 1

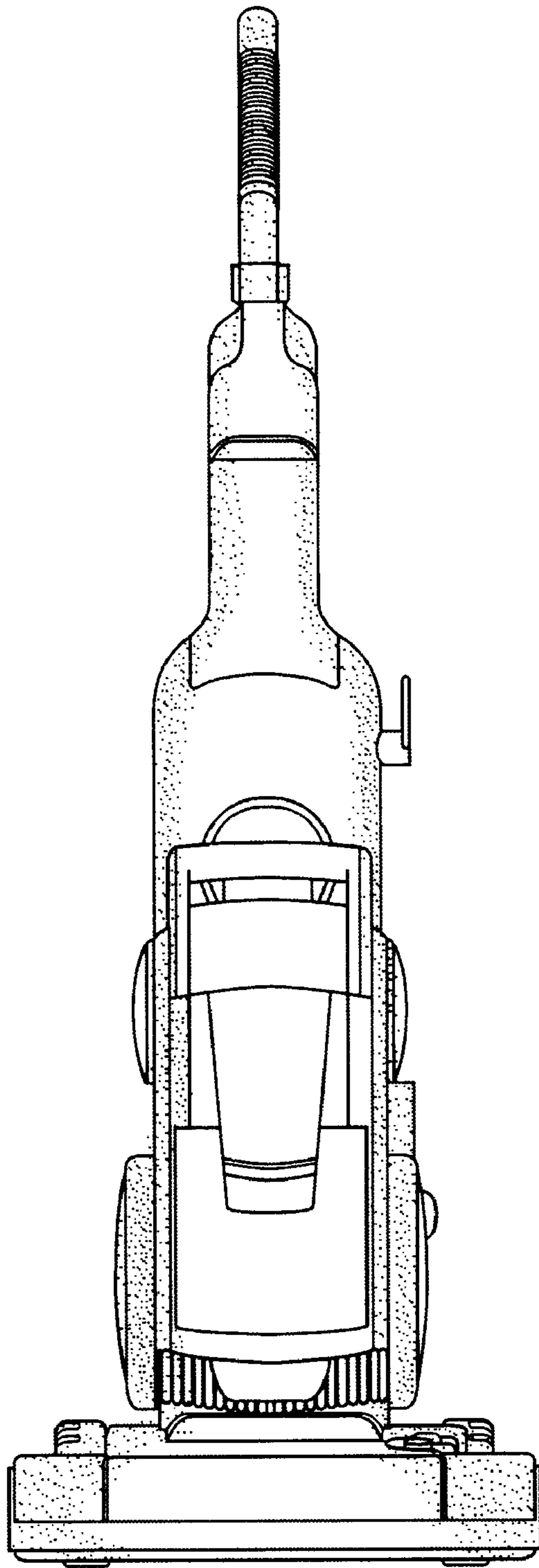


FIG. 2

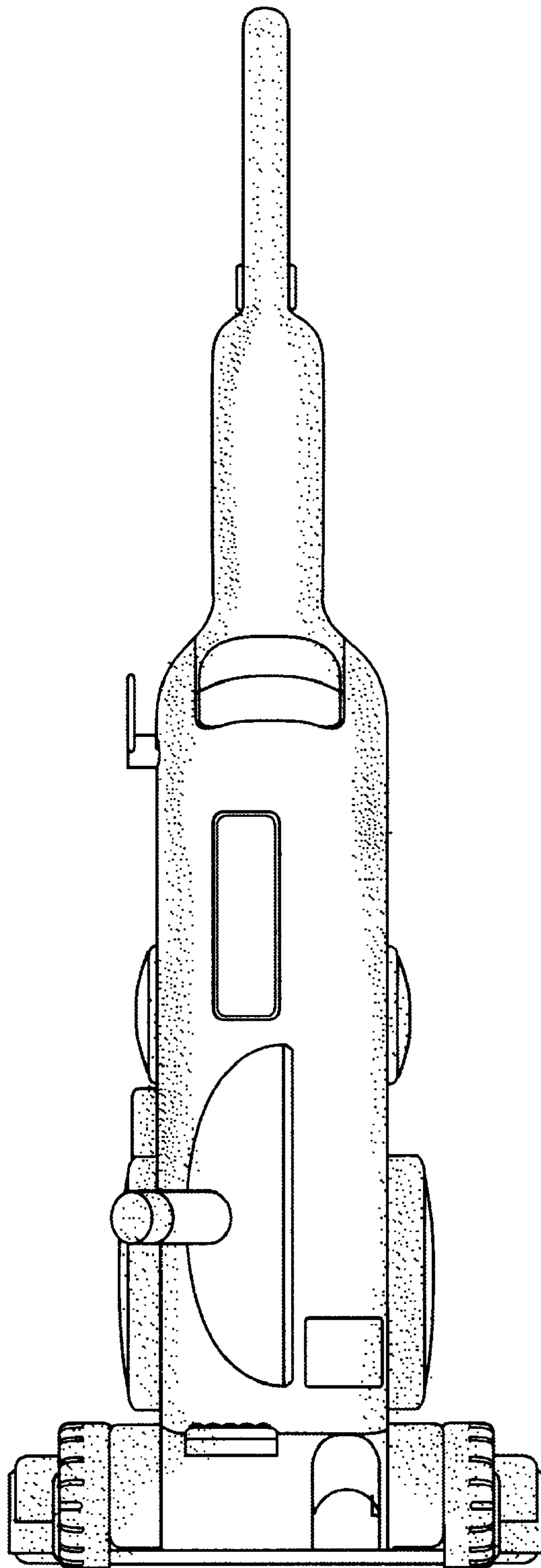


FIG. 3

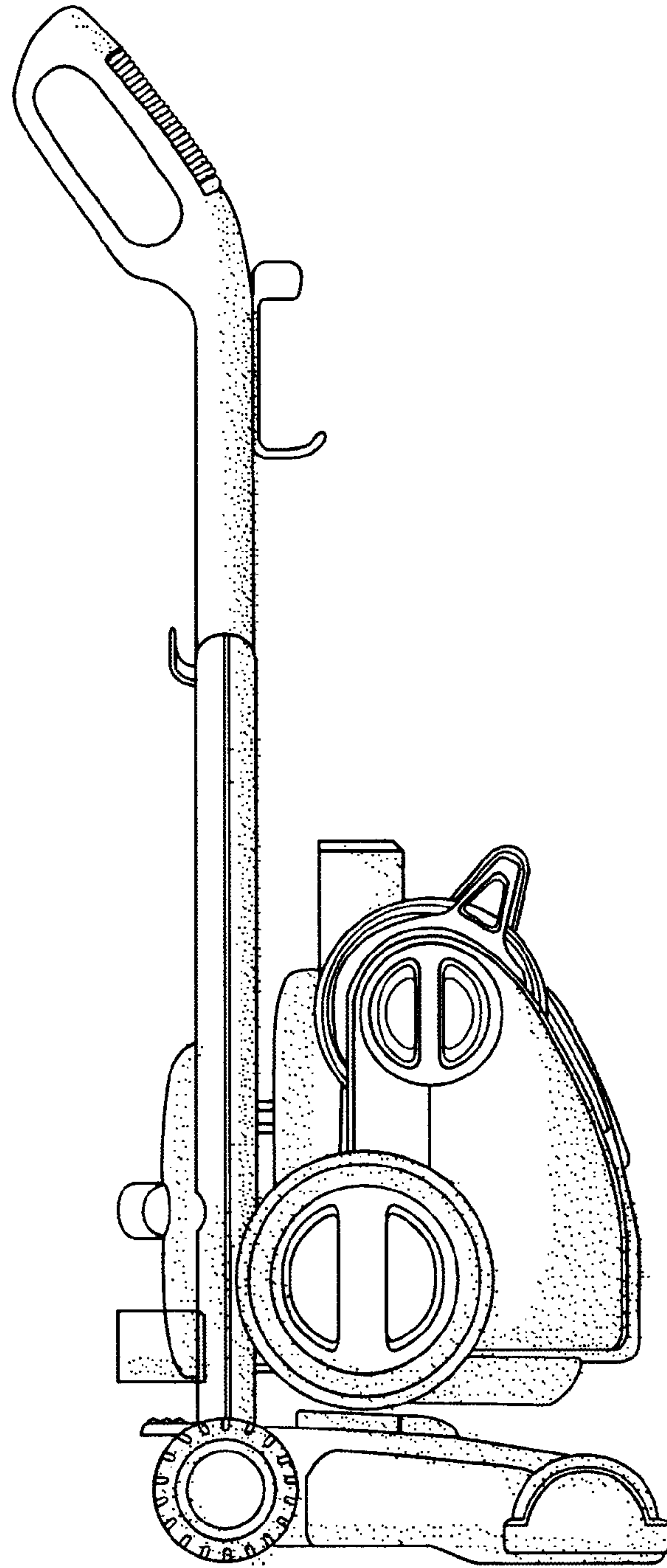


FIG. 4

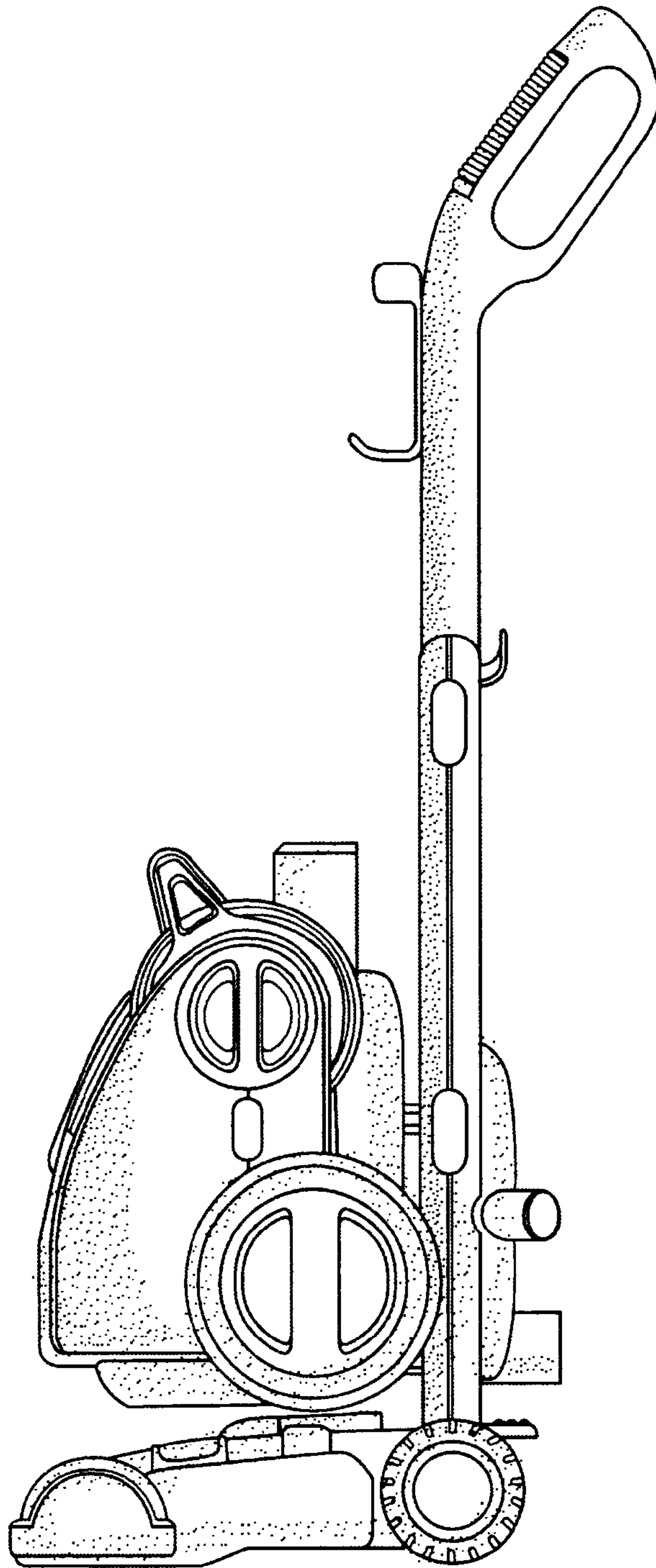


FIG. 5

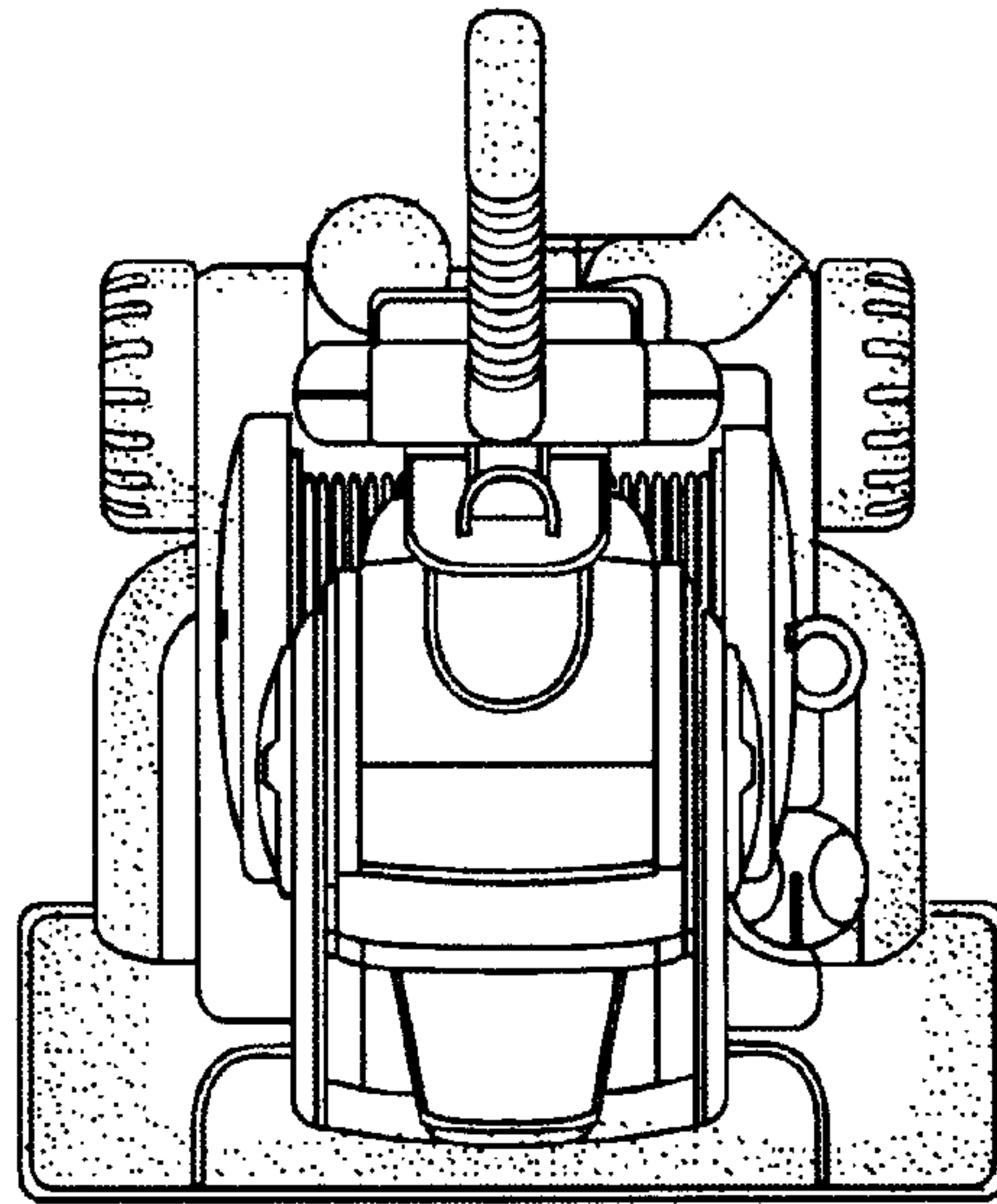


FIG. 6

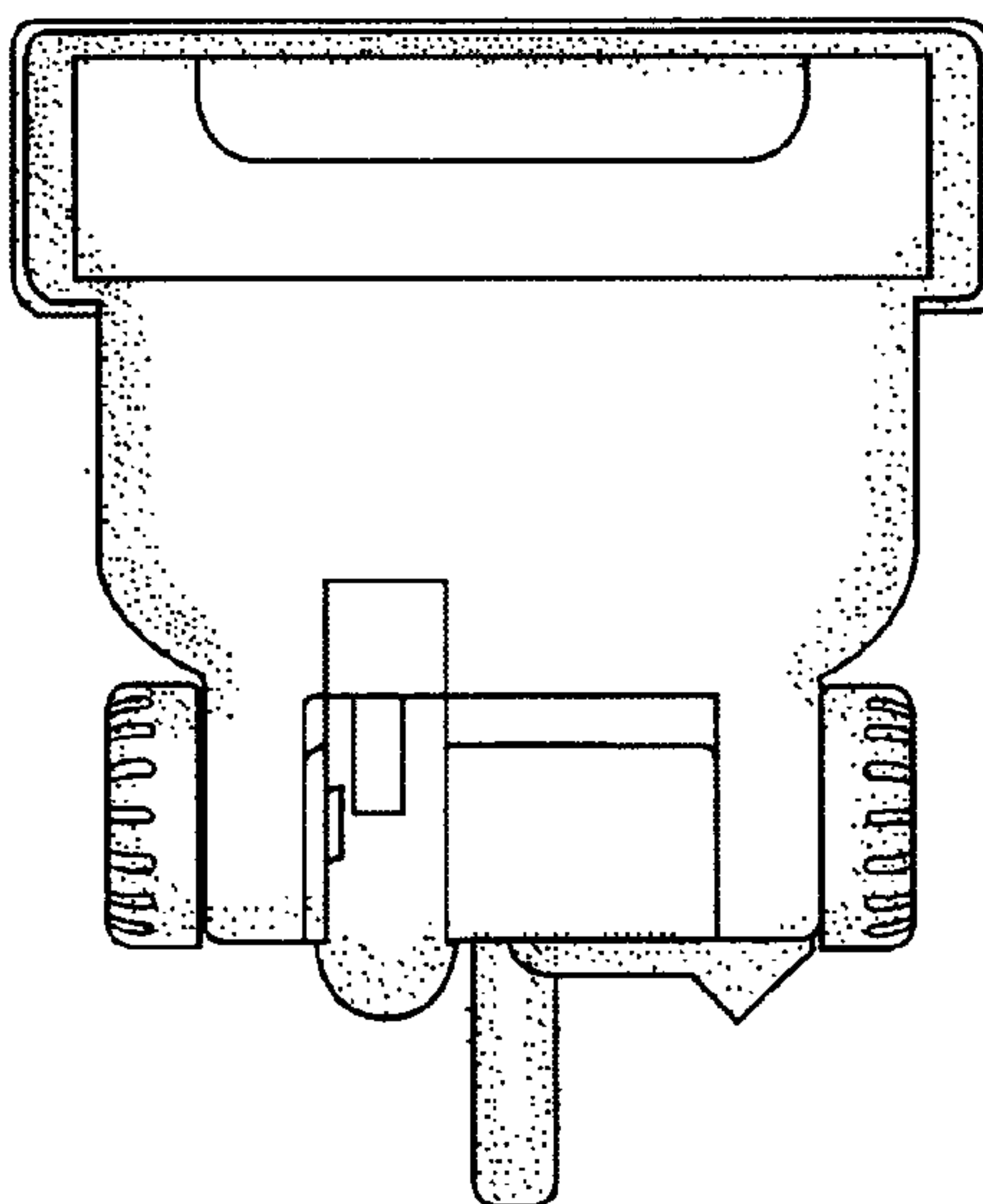


FIG. 7