



US00D536847S

(12) **United States Design Patent**  
**Shin**

(10) **Patent No.:** **US D536,847 S**

(45) **Date of Patent:** **\*\* Feb. 13, 2007**

(54) **VACUUM CLEANER**

(75) Inventor: **Hyun Sun Shin**, Gunpo-Si (KR)

(73) Assignee: **LG Electronics Inc.**, Seoul (KR)

(\*\*) Term: **14 Years**

(21) Appl. No.: **29/229,443**

(22) Filed: **May 9, 2005**

(30) **Foreign Application Priority Data**

Nov. 10, 2004 (KR) ..... 30-2004-0034306

(51) **LOC (8) Cl.** ..... **15-05**

(52) **U.S. Cl.** ..... **D32/22**

(58) **Field of Classification Search** ..... D32/22,  
D32/31; 15/222, 320-322, 326, 329, 347,  
15/350, 352-354, 361, 410, 412, 415.1; 55/337,  
55/345, 459.1, 429, DIG. 3  
See application file for complete search history.

(56) **References Cited**

**U.S. PATENT DOCUMENTS**

D455,530 S \* 4/2002 Fujii ..... D32/22

D462,813 S \* 9/2002 Nakano et al. .... D32/22  
D518,928 S \* 4/2006 Chiba ..... D32/22  
D521,699 S \* 5/2006 Greene et al. .... D32/22

\* cited by examiner

*Primary Examiner*—Ruth McInroy

(74) *Attorney, Agent, or Firm*—Birch, Stewart, Kolasch & Birch, LLP

(57) **CLAIM**

The ornamental design for a vacuum cleaner, as shown.

**DESCRIPTION**

FIG. 1 is a front, left perspective view of the vacuum cleaner showing my new design;

FIG. 2 is a front view thereof;

FIG. 3 is a rear view thereof;

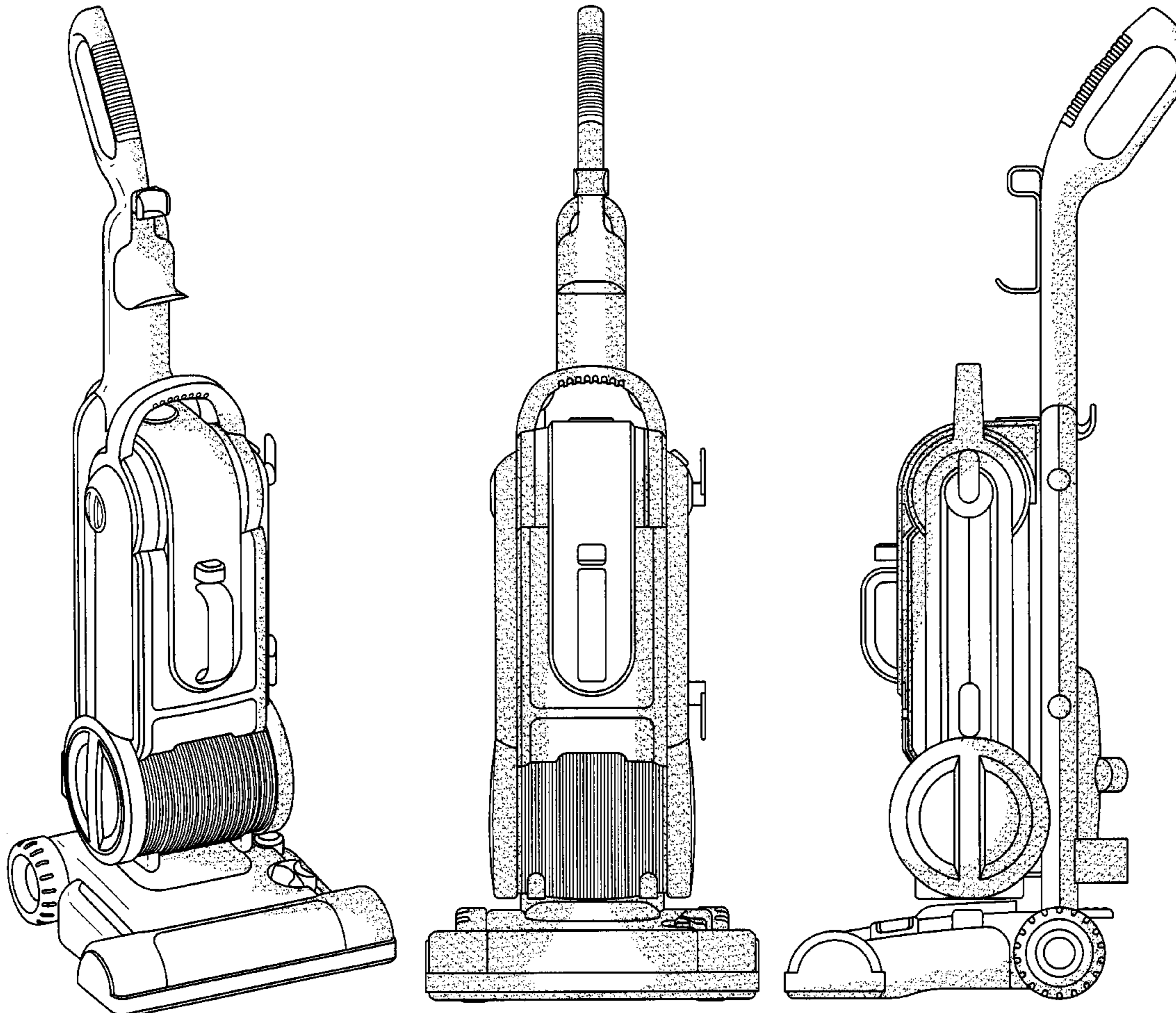
FIG. 4 is a left side view thereof;

FIG. 5 is a right side view thereof;

FIG. 6 is a top view thereof; and,

FIG. 7 is a bottom view thereof.

**1 Claim, 6 Drawing Sheets**



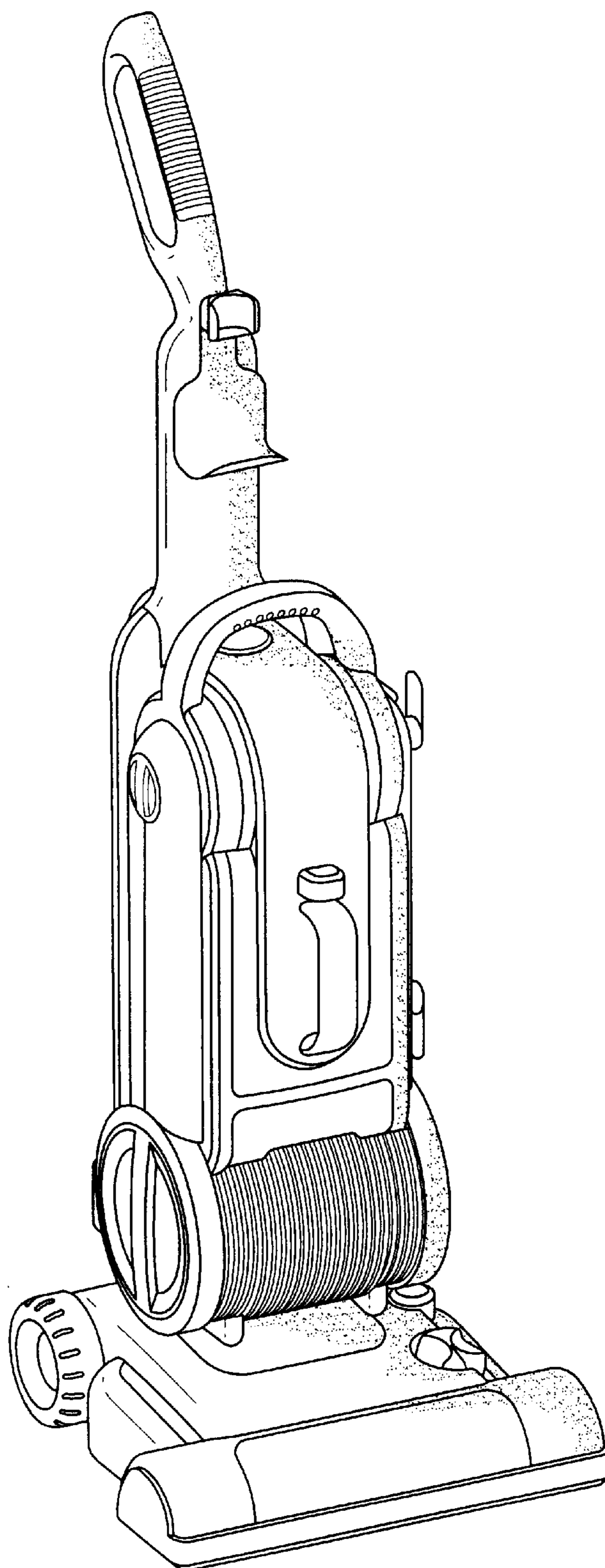


FIG. 1

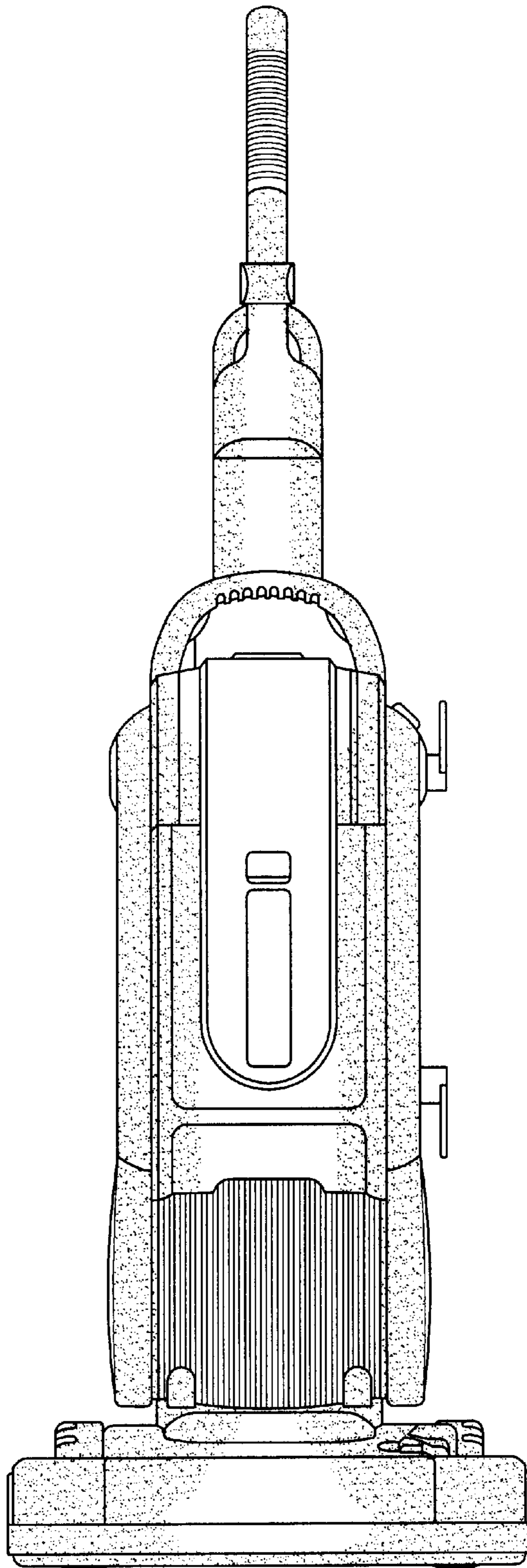


FIG.2

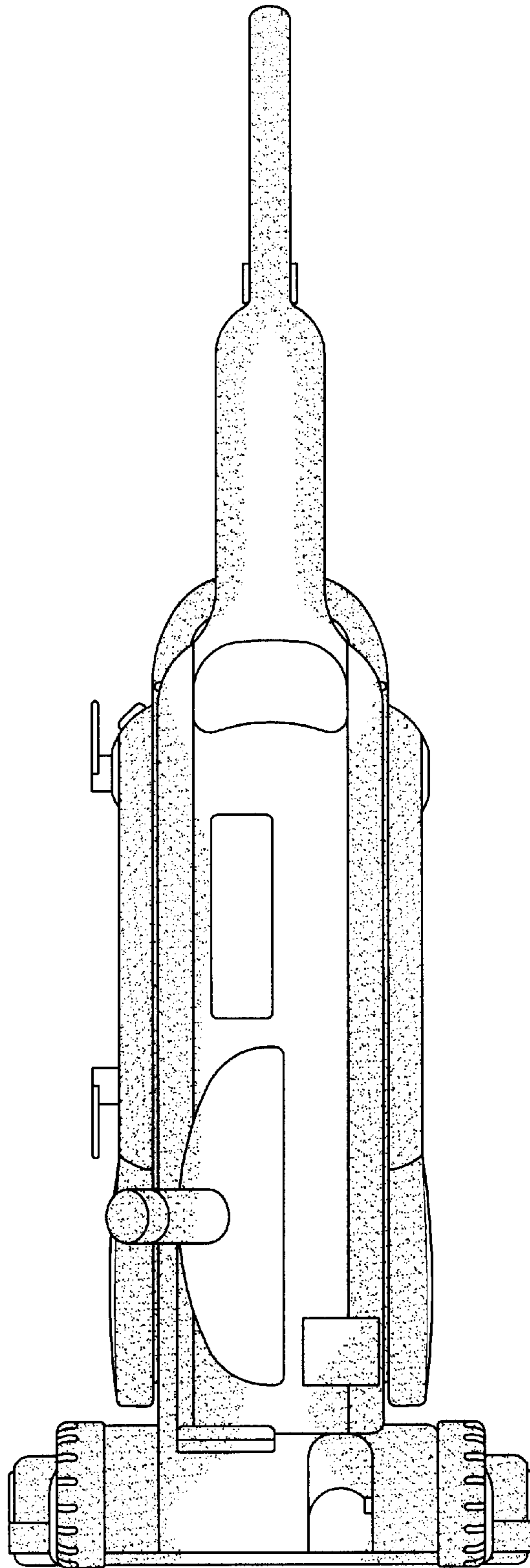


FIG.3

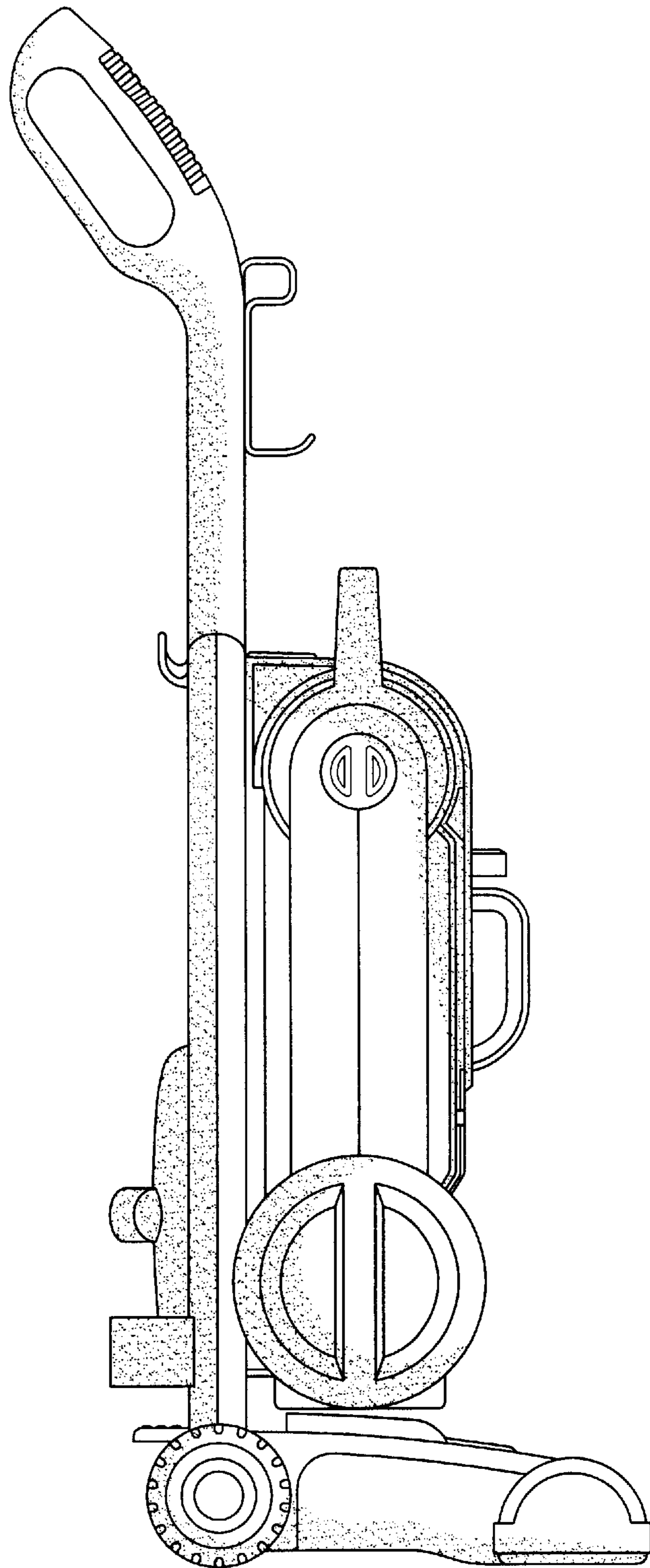


FIG.4

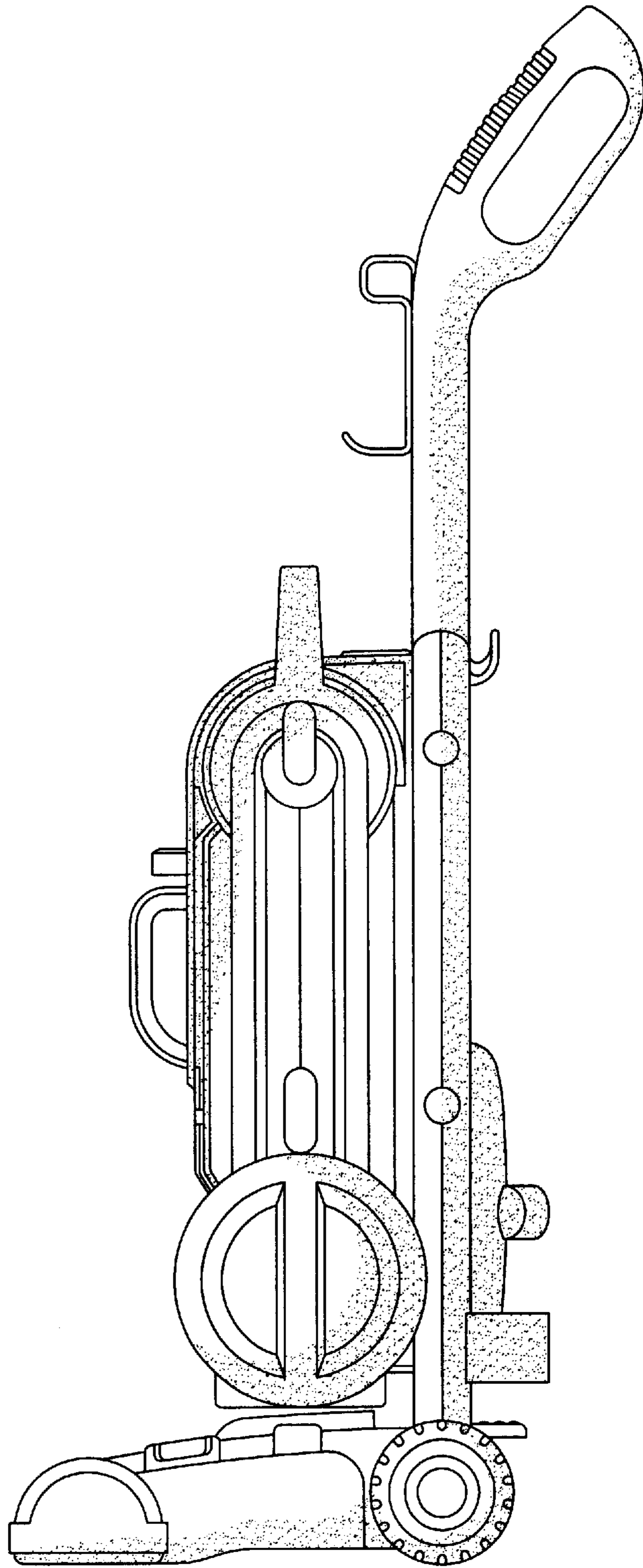


FIG. 5

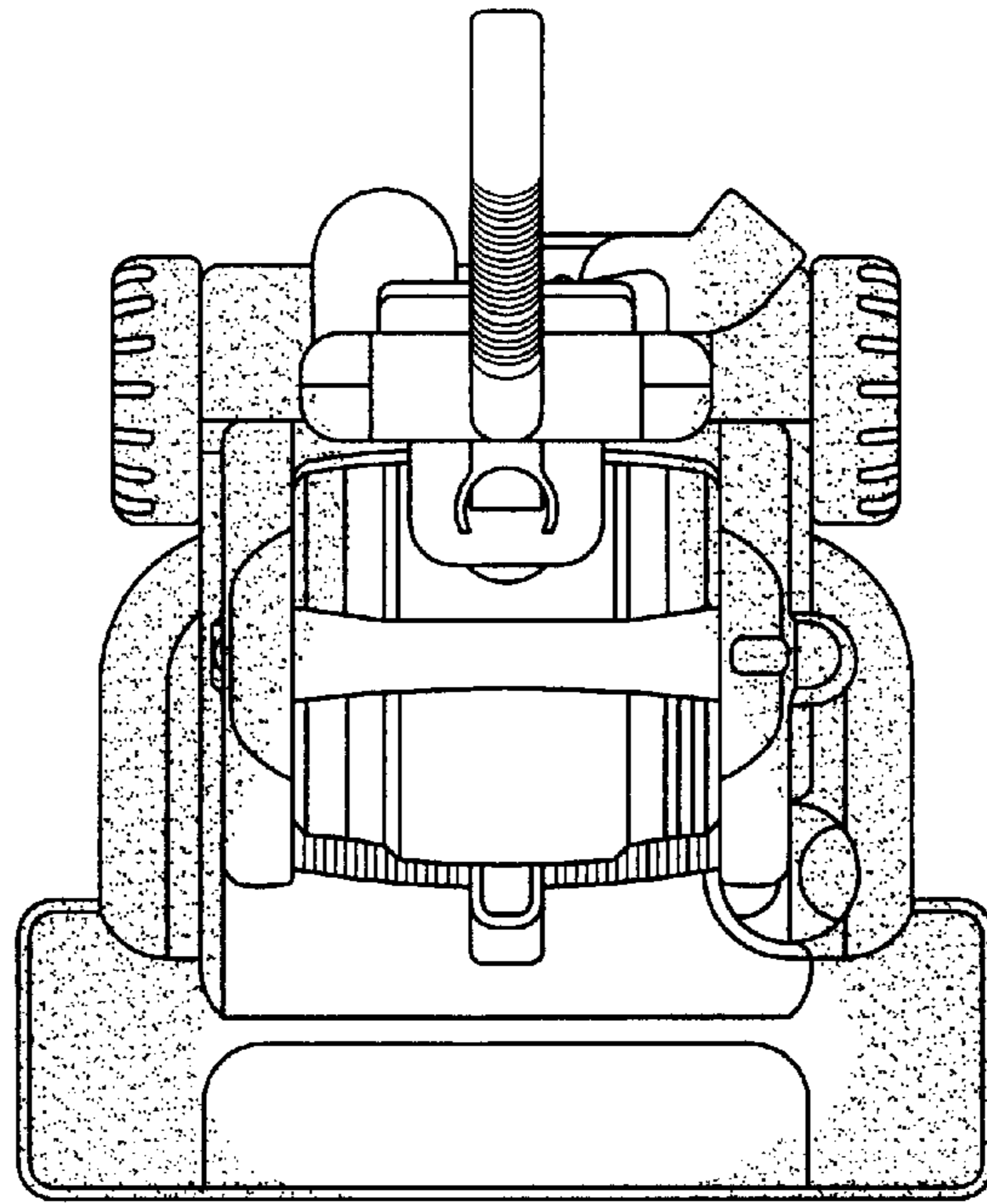


FIG. 6

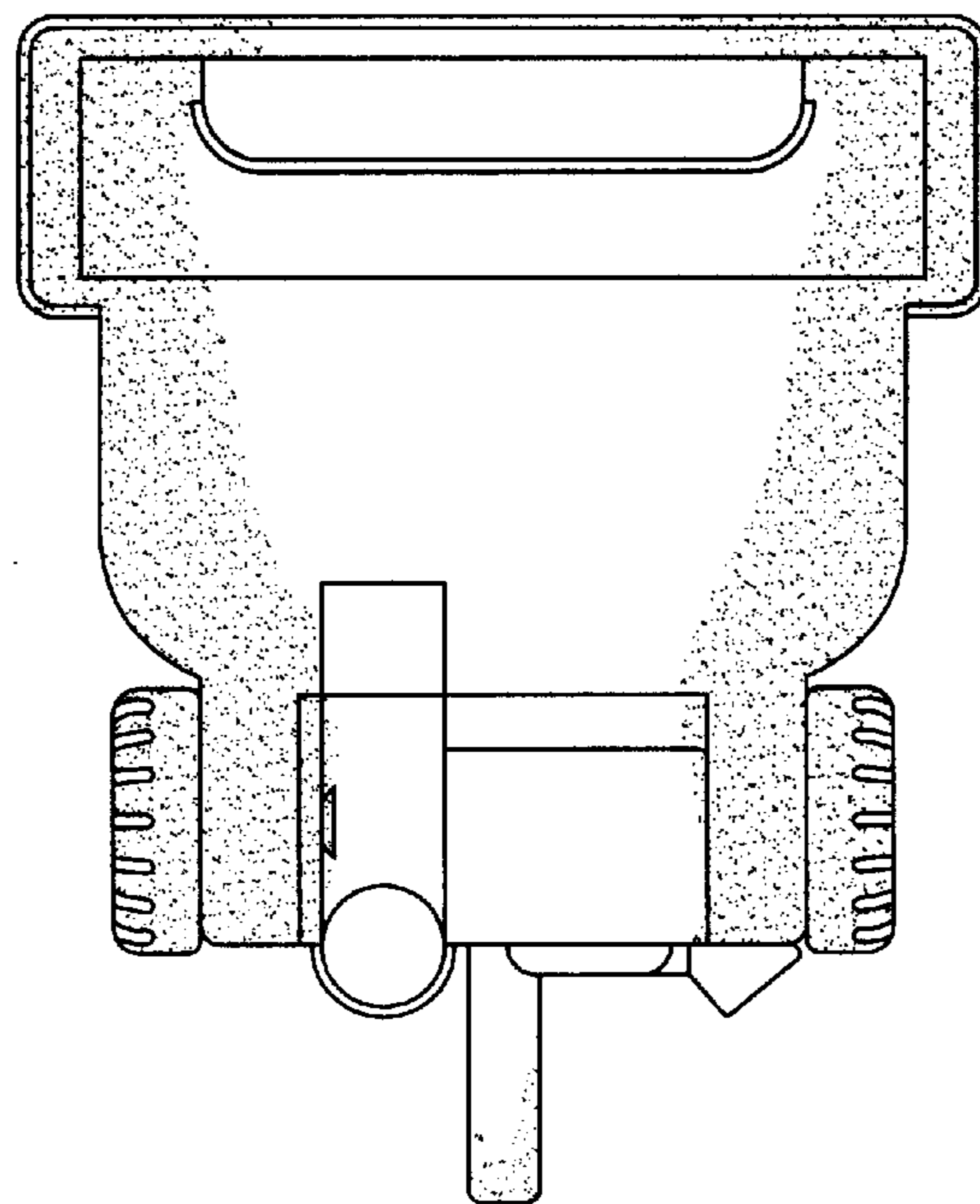


FIG. 7