



US00D536846S

(12) **United States Design Patent** (10) **Patent No.:** **US D536,846 S**  
**Pedlar** (45) **Date of Patent:** **\*\* Feb. 13, 2007**

|  |             |         |                  |
|--|-------------|---------|------------------|
| (54) <b>FLOOR TREATMENT DEVICE</b>   | 4,715,087 A | 12/1987 | Todd et al.      |
|  | 4,759,094 A | 7/1988  | Palmer et al.    |
| (75) Inventor: <b>Roger Pedlar</b> , Lakewood, CO (US)                     | 4,809,397 A | 3/1989  | Jacobs et al.    |
|  | 5,058,235 A | 10/1991 | Charky           |
| (73) Assignee: <b>Castle Rock Industries, Inc.</b> ,<br>Englewood, CO (US) | 5,109,566 A | 5/1992  | Kobayashi et al. |
|  | 5,127,124 A | 7/1992  | Palmer et al.    |
|  | 5,138,742 A | 8/1992  | Charky           |
| (**) Term: <b>14 Years</b>   | 5,377,376 A | 1/1995  | Wood et al.      |
|  | 5,465,456 A | 11/1995 | Fellhuuer et al. |

(21) Appl. No.: **29/247,143**

(Continued)

(22) Filed: **Jun. 1, 2006**

**FOREIGN PATENT DOCUMENTS**

EP 282850 9/1991

**Related U.S. Application Data**

**OTHER PUBLICATIONS**

(62) Division of application No. 29/217,055, filed on Nov. 11, 2004.

Street Cleaning device shown on [www.onyx-environment.com](http://www.onyx-environment.com), accessed May 7, 2004, 1 page.

(51) **LOC (8) Cl.** ..... **15-05**

Madvac PS300 Brochure, Feb. 2004, 4 pages.

(52) **U.S. Cl.** ..... **D32/16**

Allied Sweepers 400 Series Specs., May 1998, 1 page.

(58) **Field of Classification Search** ..... D32/1,  
D32/15, 16, 17, 19, 21, 22, 23; 15/320, 321,  
15/353, 327.1, 327.6, 50.1

*Primary Examiner*—Louis S. Zarfes

*Assistant Examiner*—Kathleen Sims

(74) *Attorney, Agent, or Firm*—Sheridan Ross P.C.

See application file for complete search history.

(57) **CLAIM**

(56) **References Cited**

The ornamental design for a floor treatment device, as shown and described.

**U.S. PATENT DOCUMENTS**

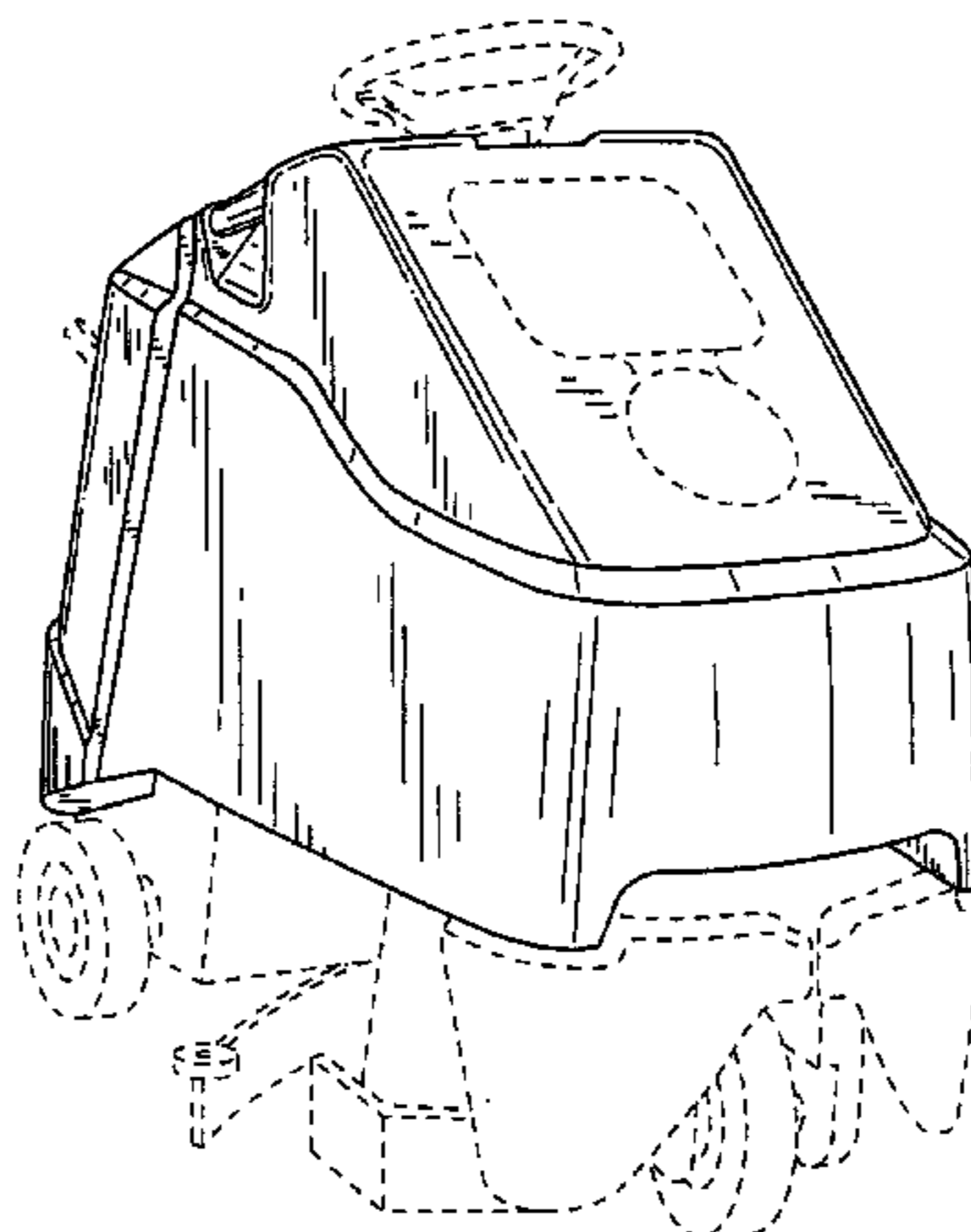
**DESCRIPTION**

|              |         |                  |        |
|--------------|---------|------------------|--------|
| 3,020,576 A  | 2/1962  | Gerber           |        |
| 3,040,363 A  | 6/1962  | Krammes          |        |
| 3,604,051 A  | 9/1971  | Wendel et al.    |        |
| 3,833,961 A  | 9/1974  | Fortman et al.   |        |
| 3,837,029 A  | 9/1974  | Kasper           |        |
| 3,879,789 A  | 4/1975  | Kasper           |        |
| 3,896,520 A  | 7/1975  | Williams         |        |
| 4,041,567 A  | 8/1977  | Burgoon          |        |
| 4,173,052 A  | 11/1979 | Burgoon et al.   |        |
| 4,196,492 A  | 4/1980  | Johnson et al.   |        |
| 4,210,978 A  | 7/1980  | Johnson et al.   |        |
| 4,219,901 A  | 9/1980  | Burgoon et al.   |        |
| 4,314,385 A  | 2/1982  | Wimsatt et al.   |        |
| 4,348,783 A  | 9/1982  | Swanson et al.   |        |
| D273,621 S * | 4/1984  | Haub et al. .... | D32/16 |
| 4,467,494 A  | 8/1984  | Jones            |        |
| 4,586,208 A  | 5/1986  | Trevarthen       |        |
| D290,053 S * | 5/1987  | Block .....      | D32/15 |
| D290,054 S * | 5/1987  | Block .....      | D32/15 |

FIG. 1 is a top plan view of a floor treatment device; FIG. 2 is a perspective view of the design of FIG. 1; FIG. 3 is a left elevation view of the design shown in FIG. 1; FIG. 4 is a right elevation view of the design shown in FIG. 1; FIG. 5 is a front elevation view of the design shown in FIG. 1; and, FIG. 6 is a rear elevation view of the design shown in FIG. 1.

The broken lines showing of the floor treatment device is for illustrative purposes only and forms no part of the claimed design.

**1 Claim, 4 Drawing Sheets**



# US D536,846 S

Page 2

---

| U.S. PATENT DOCUMENTS |    |          |                   |        |         |                             |
|-----------------------|----|----------|-------------------|--------|---------|-----------------------------|
|                       |    |          | 6,594,844         | B2     | 7/2003  | Jones                       |
|                       |    |          | 6,625,843         | B2     | 9/2003  | Kim et al.                  |
|                       |    |          | 6,629,333         | B2     | 10/2003 | Bolden                      |
|                       |    |          | 6,845,829         | B2     | 1/2005  | Harfendorfer                |
| 5,485,653             | A  | 1/1996   | Knowlton et al.   |        |         |                             |
| D370,320              | S  | * 5/1996 | Hachtmann .....   | D32/21 |         |                             |
| 5,524,320             | A  | 6/1996   | Zachhuber         |        |         |                             |
| 5,742,975             | A  | 4/1998   | Knowlton et al.   |        |         |                             |
| 5,768,742             | A  | 6/1998   | Kohl et al.       |        |         |                             |
| 6,041,471             | A  | 3/2000   | Charky et al.     |        |         |                             |
| 6,397,429             | B1 | 6/2002   | Legatt et al.     |        |         |                             |
| 6,442,789             | B1 | 9/2002   | Legatt et al.     |        |         |                             |
| 6,519,808             | B2 | 2/2003   | Legatt et al.     |        |         |                             |
| 6,535,793             | B2 | 3/2003   | Allard            |        |         |                             |
| 6,553,609             | B2 | 4/2003   | Tremmel et al.    |        |         |                             |
| 6,585,827             | B2 | * 7/2003 | Field et al. .... | 134/6  |         |                             |
|                       |    |          |                   |        |         | * cited by examiner         |
|                       |    |          | 2001/0019935      | A1     | 9/2001  | Legatt et al.               |
|                       |    |          | 2002/0178522      | A1     | 12/2002 | Buchegger et al.            |
|                       |    |          | 2003/0019068      | A1 *   | 1/2003  | Field et al. .... 15/320    |
|                       |    |          | 2003/0019069      | A1 *   | 1/2003  | Field et al. .... 15/320    |
|                       |    |          | 2003/0046788      | A1     | 3/2003  | Kent et al.                 |
|                       |    |          | 2003/0070249      | A1     | 4/2003  | Lehman et al.               |
|                       |    |          | 2003/0070252      | A1 *   | 4/2003  | Pedlar et al. .... 15/401   |
|                       |    |          | 2005/0132527      | A1 *   | 6/2005  | Pedlar et al. .... 15/340.3 |

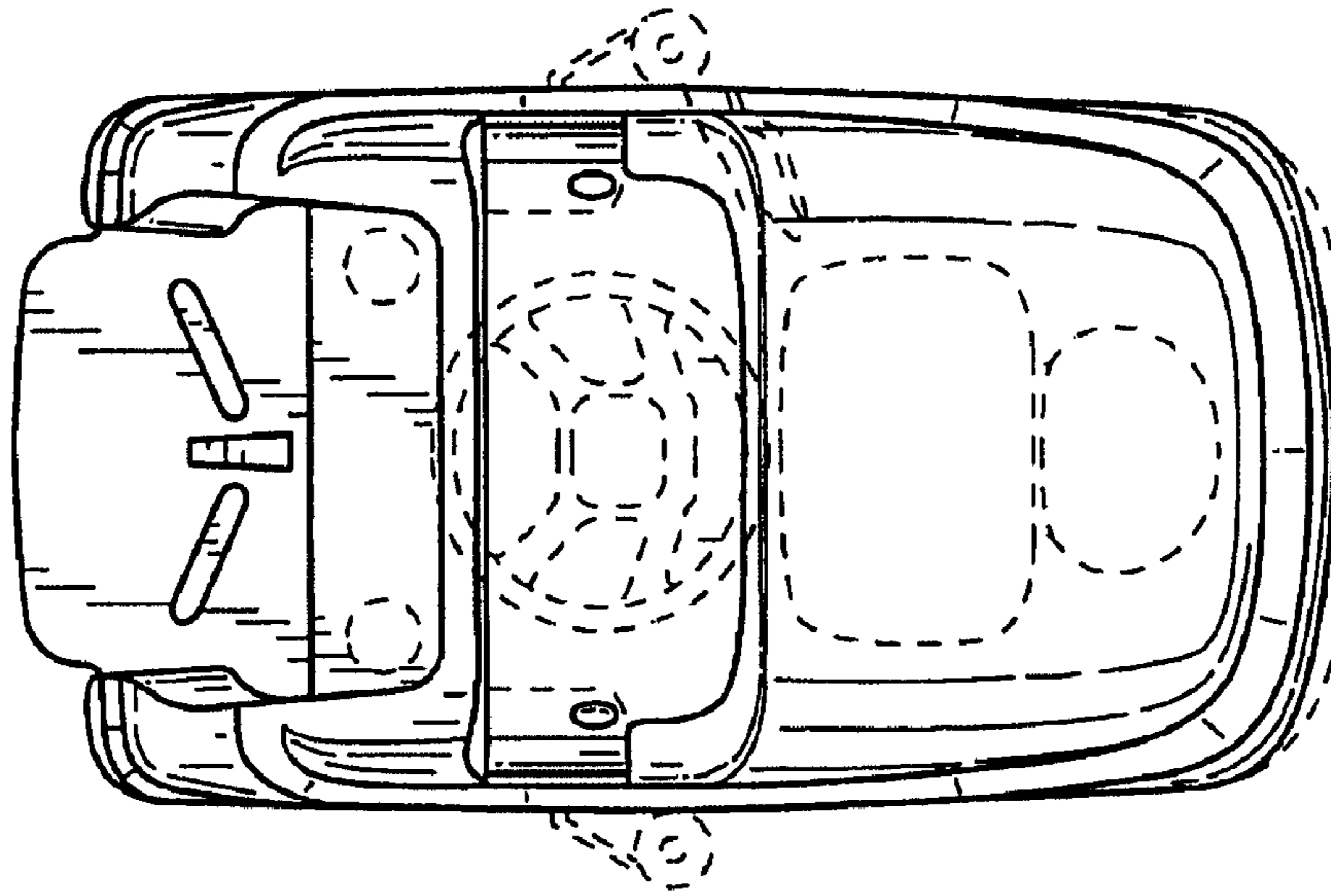


FIG.1

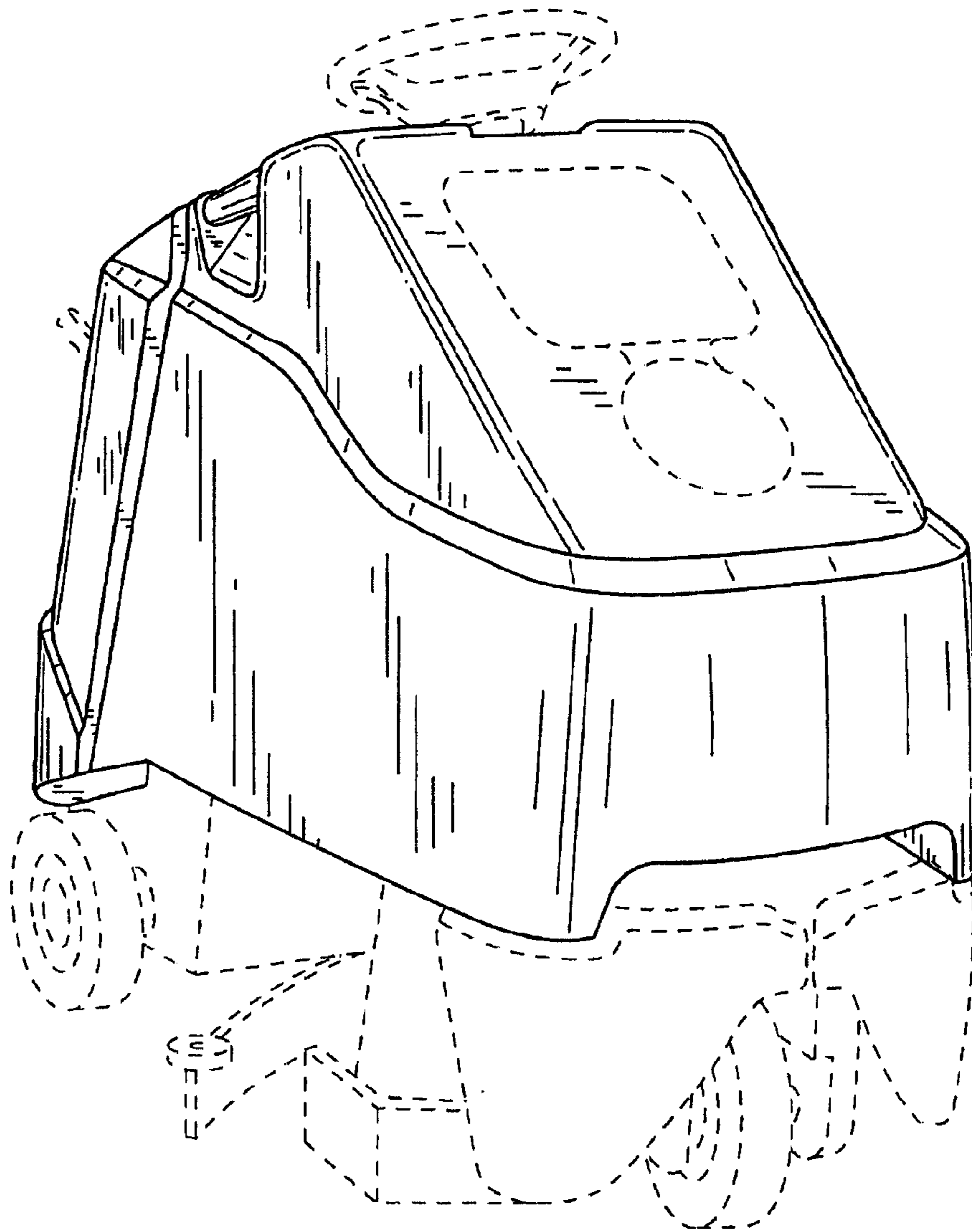


FIG. 2

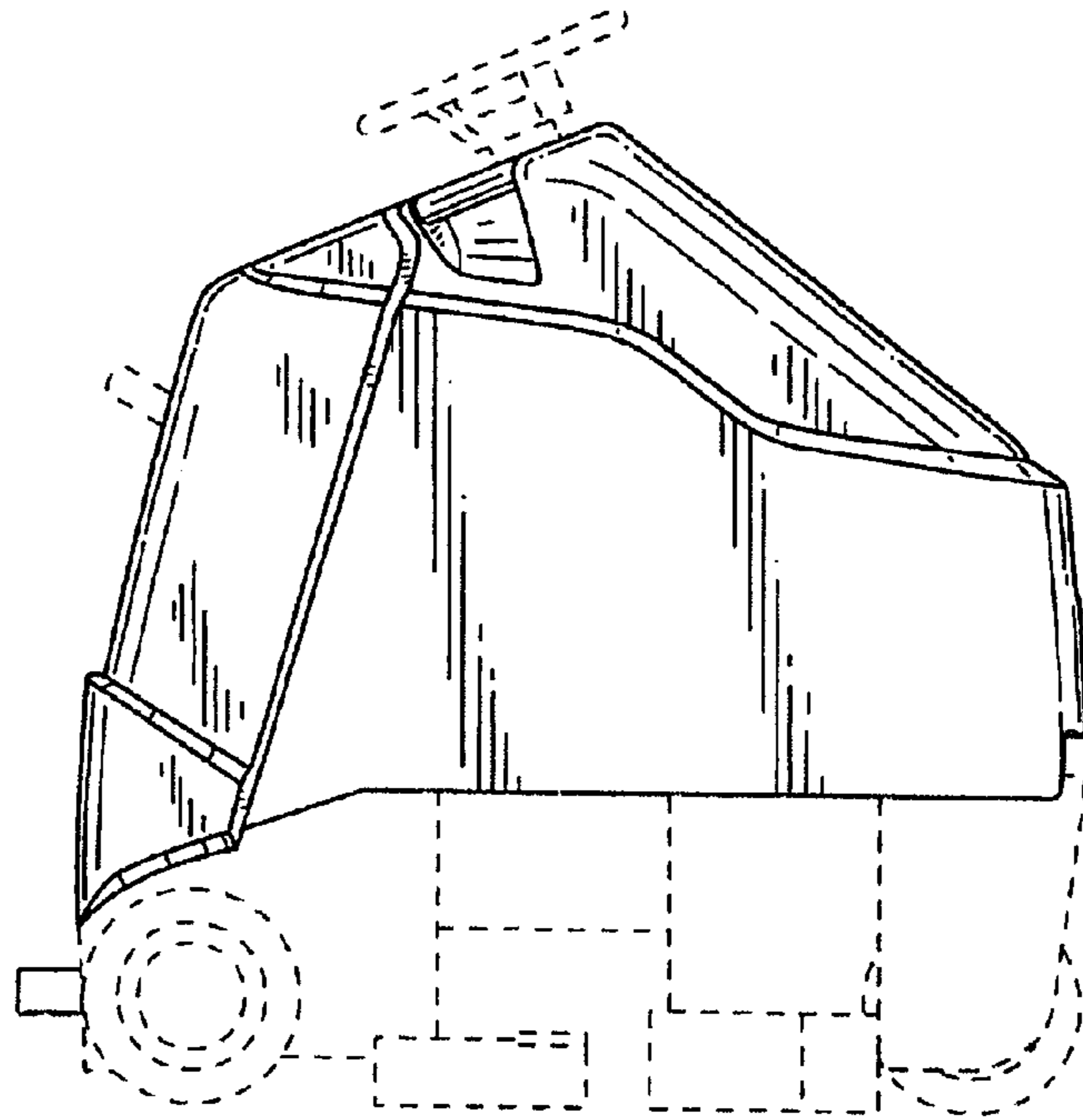


FIG. 3

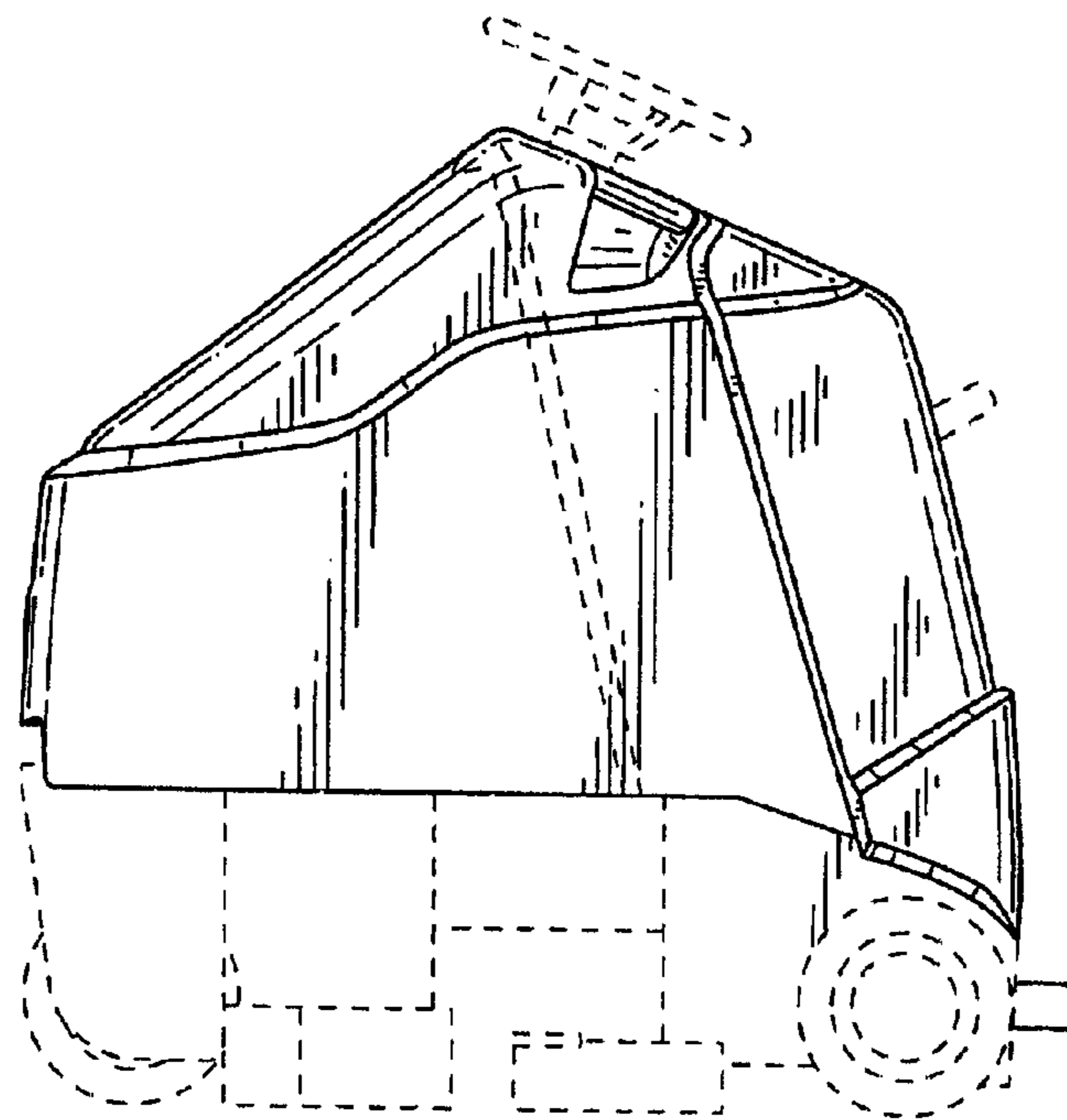


FIG. 4



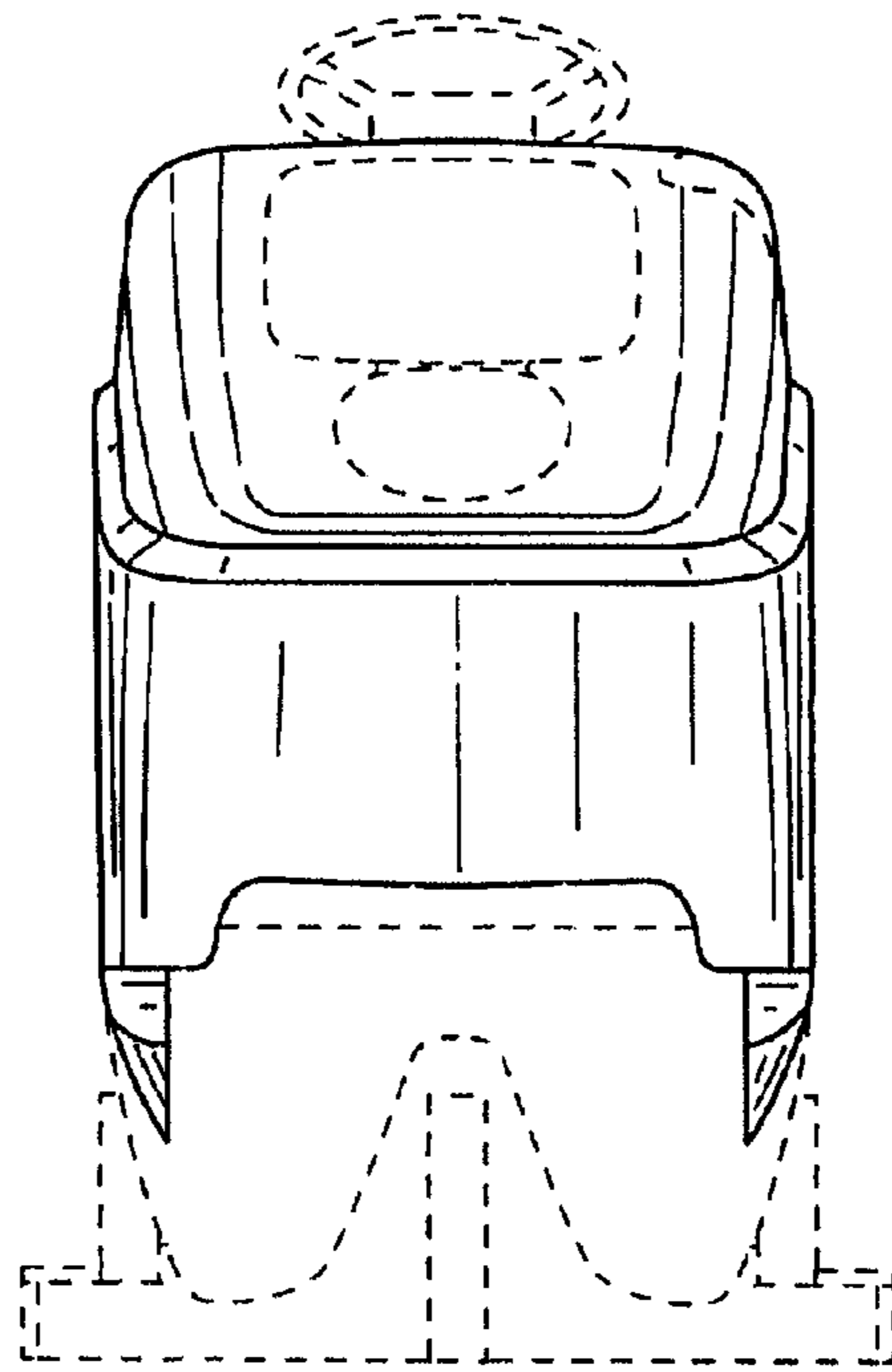


FIG. 5

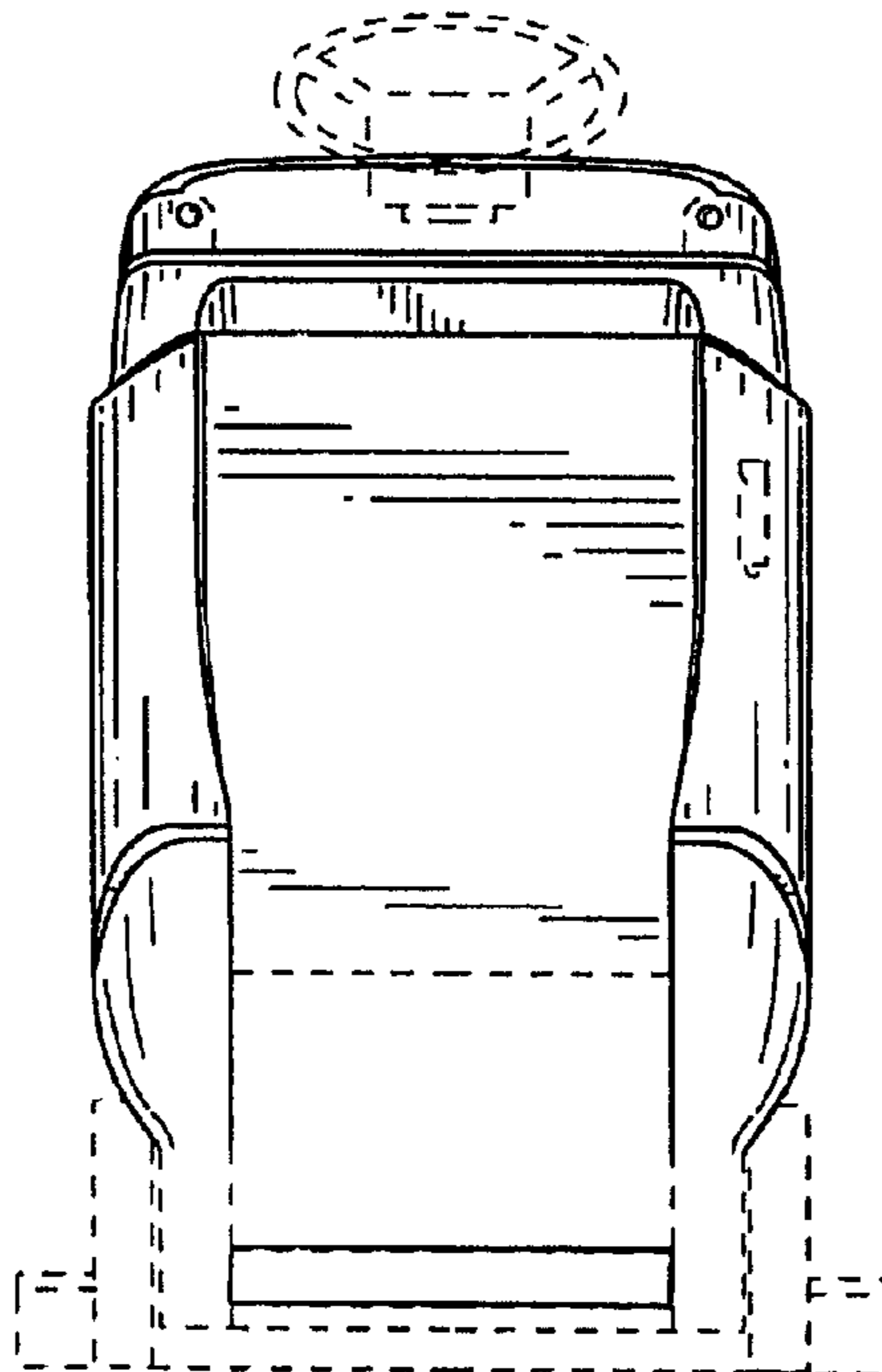


FIG. 6