



US00D536845S

(12) **United States Design Patent** (10) **Patent No.:** **US D536,845 S**
Pedlar (45) **Date of Patent:** **** Feb. 13, 2007**

(54) **FLOOR TREATMENT DEVICE**
(75) Inventor: **Roger Pedlar**, Lakewood, CO (US)
(73) Assignee: **Castle Rock Industries, Inc.**,
Englewood, CO (US)
(**) Term: **14 Years**
(21) Appl. No.: **29/247,142**
(22) Filed: **Jun. 1, 2006**

4,715,087 A 12/1987 Todd et al.
4,759,094 A 7/1988 Palmer et al.
4,809,397 A 3/1989 Jacobs et al.
5,058,235 A 10/1991 Charky
5,109,566 A 5/1992 Kobayashi et al.
5,127,124 A 7/1992 Palmer et al.
5,138,742 A 8/1992 Charkey
5,377,376 A 1/1995 Wood et al.
5,465,456 A 11/1995 Fellhuuer et al.
5,485,653 A 1/1996 Knowlton et al.
D370,320 S * 5/1996 Hachtmann D32/21
5,524,320 A 6/1996 Zachhuber
5,742,975 A 4/1998 Knowlton et al.
5,768,742 A 6/1998 Kohl et al.
6,041,471 A 3/2000 Charky et al.
6,397,429 B1 6/2002 Legatt et al.
6,442,789 B1 9/2002 Legatt et al.
6,519,808 B2 2/2003 Legatt et al.

Related U.S. Application Data

(62) Division of application No. 29/217,055, filed on Nov. 11, 2004.
(51) **LOC (8) Cl.** **15-05**
(52) **U.S. Cl.** **D32/16**
(58) **Field of Classification Search** 15/320,
15/321, 353, 327.1, 327.6, 50.1; D32/1, 15,
D32/16, 17, 19, 21, 22, 23
See application file for complete search history.

(Continued)

FOREIGN PATENT DOCUMENTS

EP 282850 9/1991

OTHER PUBLICATIONS

Street Cleaning device shown on www.onyx-environment.com, accessed May 7, 2004, 1 page.
Madvac PS300 Brochure, Feb. 2004, 4 pages.
Allied Sweepers 400 Series Specs., May 1998, 1 page.

Primary Examiner—Louis S. Zarfaz
Assistant Examiner—Kathleen Sims
(74) *Attorney, Agent, or Firm*—Sheridan Ross P.C.

(57) **CLAIM**

The ornamental design for a floor treatment device, as shown and described.

DESCRIPTION

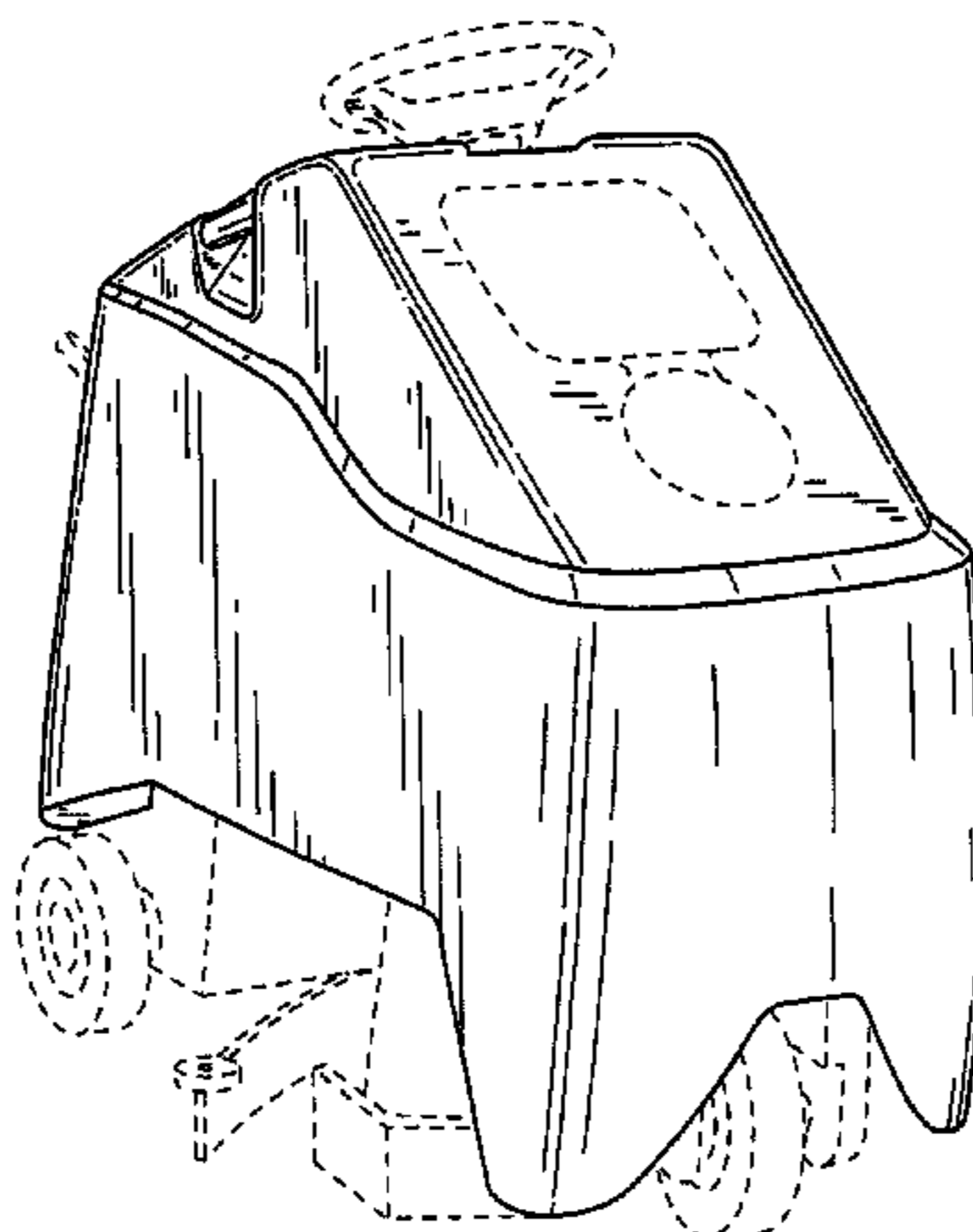
FIG. 1 is a perspective view of a floor treatment device; FIG. 2 is a rear elevation view of the design shown in FIG. 1; and, FIG. 3 is a top plan view of the design shown in FIG. 1. The broken line showing of the floor treatment device is for illustrative purposes only and forms no part of the claimed design.

1 Claim, 3 Drawing Sheets

(56) **References Cited**

U.S. PATENT DOCUMENTS

3,020,576 A 2/1962 Gerber
3,040,363 A 6/1962 Krammes
3,604,051 A 9/1971 Wendel et al.
3,833,961 A 9/1974 Fortman et al.
3,837,029 A 9/1974 Kasper
3,879,789 A 4/1975 Kasper
3,896,520 A 7/1975 Williams
4,041,567 A 8/1977 Burgoon
4,173,052 A 11/1979 Burgoon et al.
4,196,492 A 4/1980 Johnson et al.
4,210,978 A 7/1980 Johnson et al.
4,219,901 A 9/1980 Burgoon et al.
4,314,385 A 2/1982 Wimsatt et al.
4,348,783 A 9/1982 Swanson et al.
D273,621 S * 4/1984 Haub et al. D32/16
4,467,494 A 8/1984 Jones
4,586,208 A 5/1986 Trevarthen
D290,053 S * 5/1987 Block D32/15
D290,054 S * 5/1987 Block D32/15



US D536,845 S

Page 2

U.S. PATENT DOCUMENTS

6,535,793	B2	3/2003	Allard			
6,553,609	B2	4/2003	Tremmel et al.			
6,585,827	B2 *	7/2003	Field et al.	134/6		
6,594,844	B2	7/2003	Jones			
6,625,843	B2	9/2003	Kim et al.			
6,629,333	B2	10/2003	Bolden			
6,845,829	B2	1/2005	Hafendorfer			
2001/0019935	A1	9/2001	Legatt et al.			
2002/0178522	A1	12/2002	Buchegger et al.			
2003/0019068	A1 *	1/2003	Field et al.		15/320	
2003/0019069	A1 *	1/2003	Field et al.		15/320	
2003/0046788	A1	3/2003	Kent et al.			
2003/0070249	A1	4/2003	Lehman et al.			
2003/0070252	A1 *	4/2003	Pedlar et al.		15/401	
2005/0132527	A1 *	6/2005	Pedlar et al.		15/340.3	

* cited by examiner

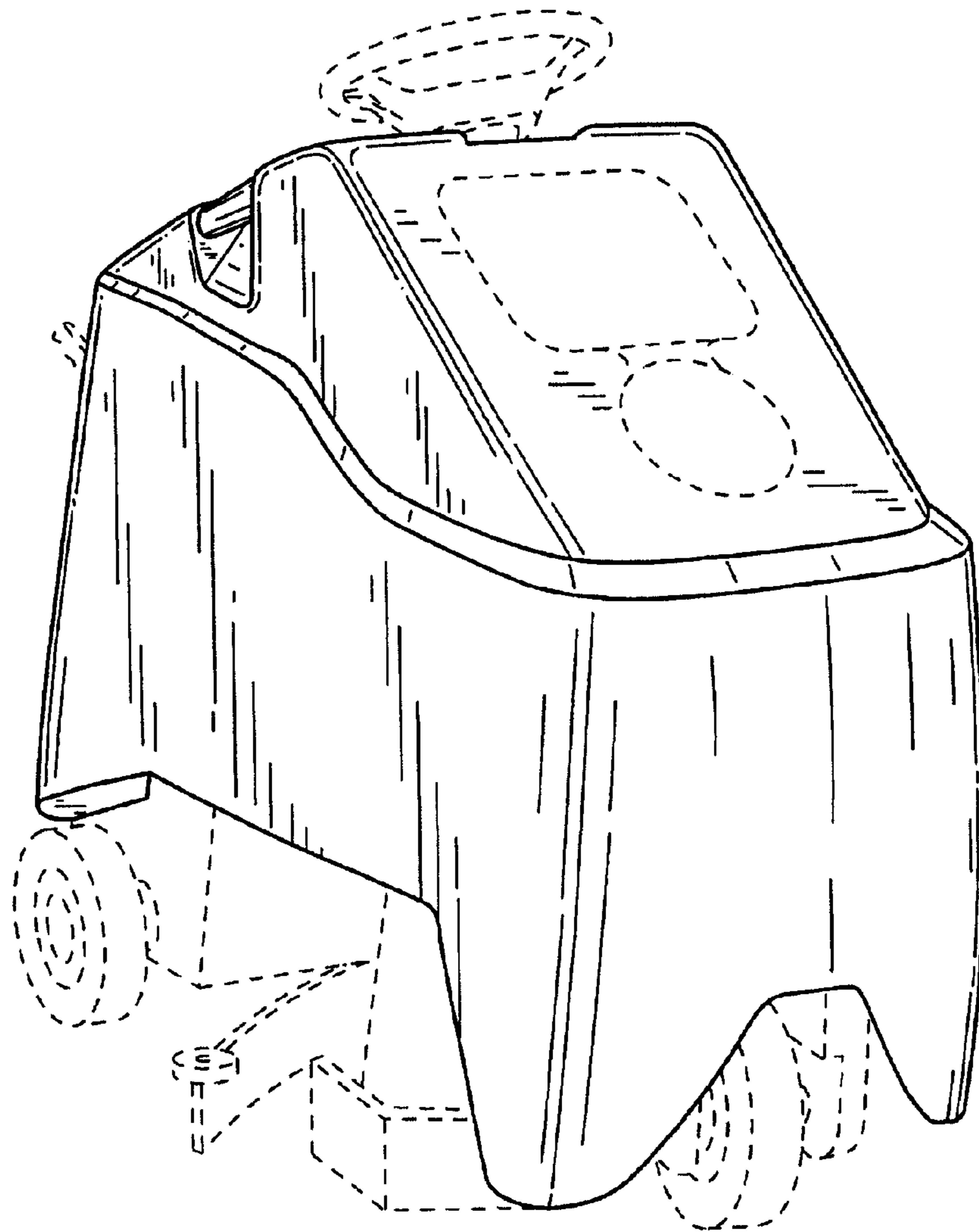


FIG.1

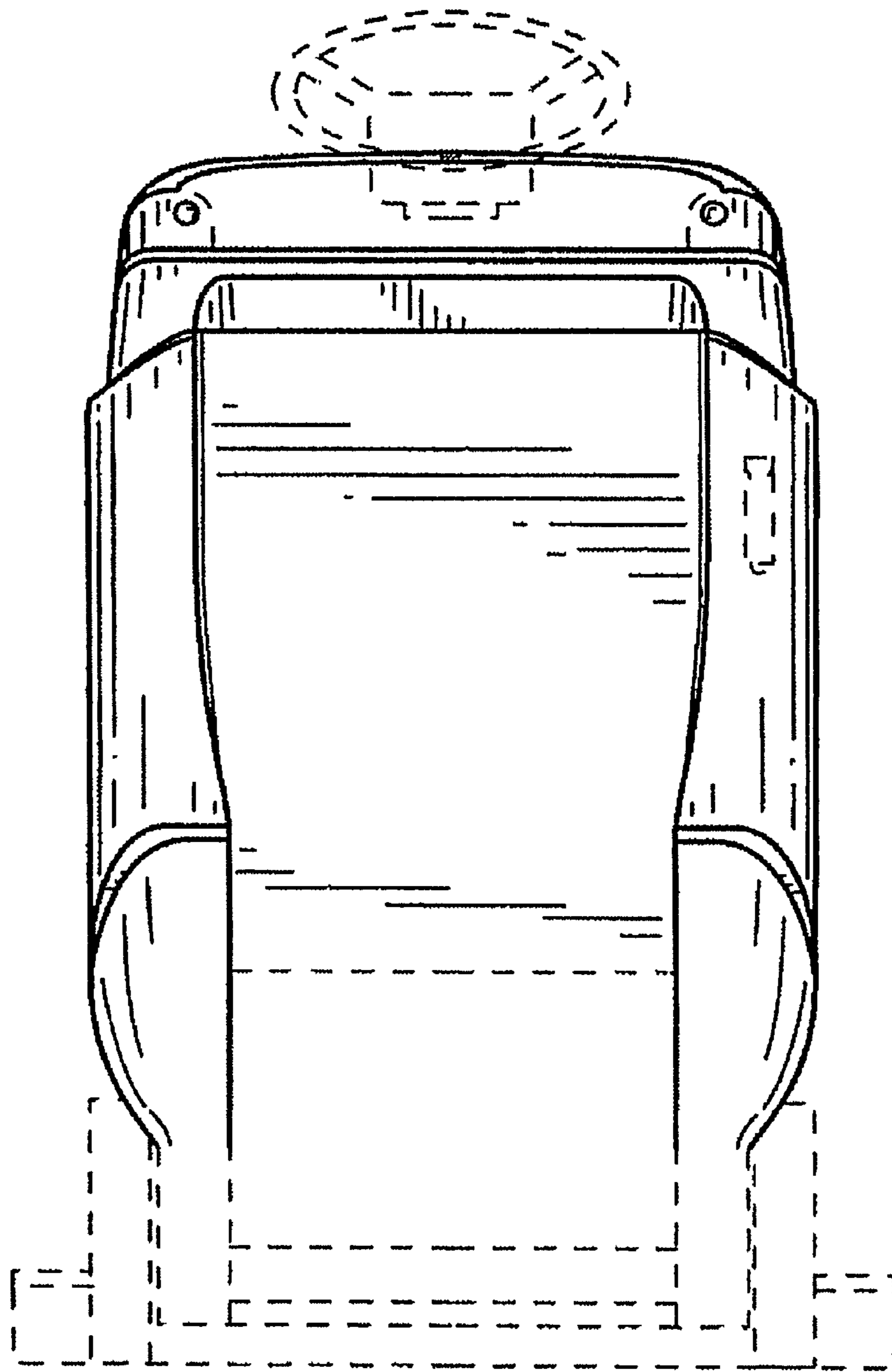


FIG. 2

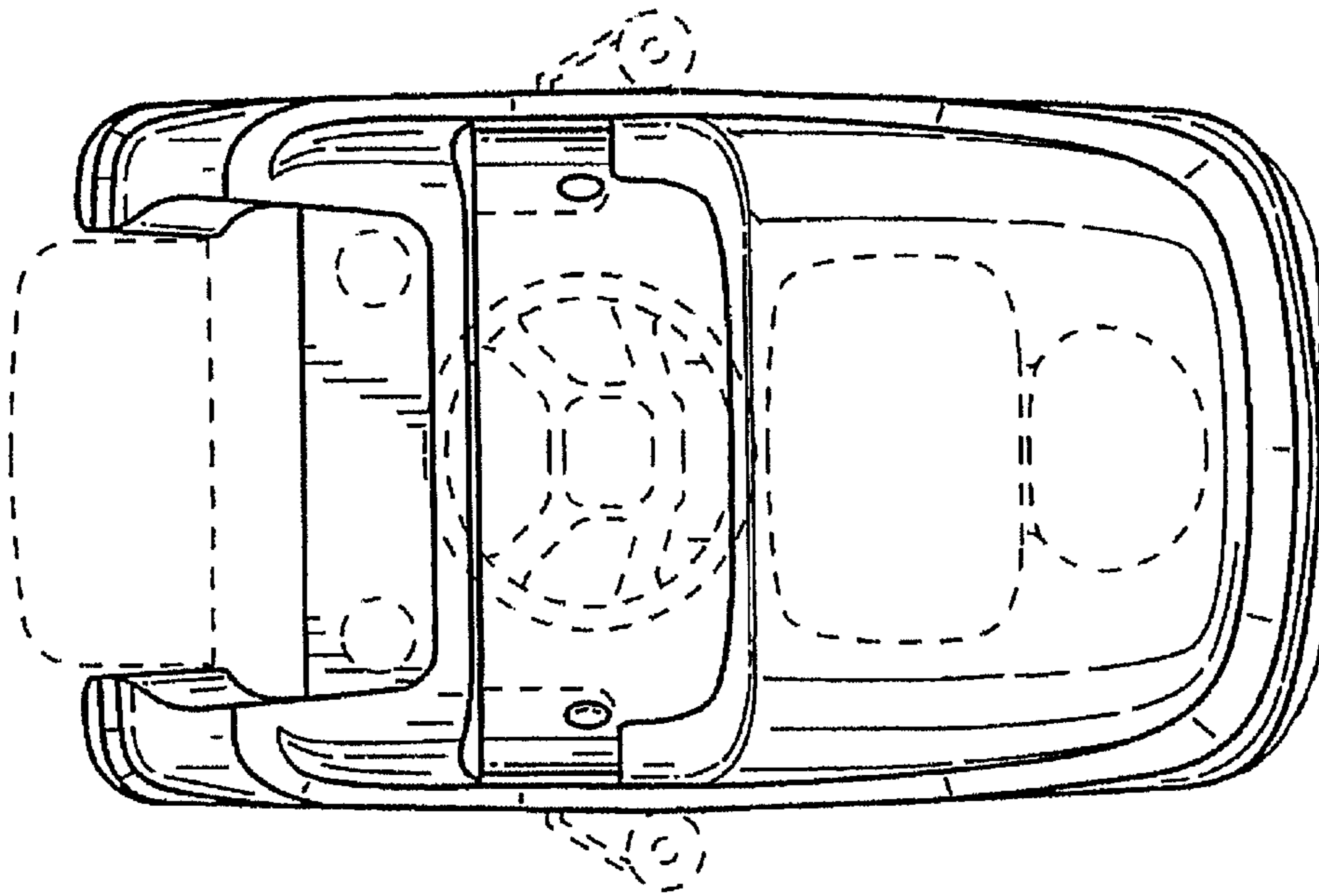


FIG. 3