



US00D536842S

(12) **United States Design Patent** (10) **Patent No.:** **US D536,842 S**  
**Pedlar** (45) **Date of Patent:** **\*\* Feb. 13, 2007**

(54) <b>FLOOR TREATMENT DEVICE</b>	4,715,087 A	12/1987	Todd et al.
	4,759,094 A	7/1988	Palmer et al.
(75) Inventor: <b>Roger Pedlar</b> , Lakewood, CO (US)	4,809,397 A	3/1989	Jacobs et al.
	5,058,235 A	10/1991	Charky
(73) Assignee: <b>Castle Rock Industries, Inc.</b> , Englewood, CO (US)	5,109,566 A	5/1992	Kobayashi et al.
	5,127,124 A	7/1992	Palmer et al.
	5,138,742 A	8/1992	Charkey
(**) Term: <b>14 Years</b>	5,372,376 A	12/1994	Pharaoh
	5,465,456 A	11/1995	Fellhauer et al.
	5,485,653 A	1/1996	Knowlton et al.
(21) Appl. No.: <b>29/247,131</b>	D370,320 S *	5/1996	Hachtmann ..... D32/21
	5,524,320 A	6/1996	Zachuuber
(22) Filed: <b>Jun. 1, 2006</b>	5,742,975 A	4/1998	Knowlton et al.
	5,768,742 A	6/1998	Kohl et al.
	6,041,471 A	3/2000	Charky et al.
	6,397,429 B1	6/2002	Legatt et al.
	6,442,789 B1	9/2002	Legatt et al.

**Related U.S. Application Data**

(62) Division of application No. 29/217,055, filed on Nov. 11, 2004.

(51) **LOC (8) Cl.** ..... **15-05**

(52) **U.S. Cl.** ..... **D32/16**

(58) **Field of Classification Search** ..... D32/1,  
D32/15, 16, 17, 19, 21, 22, 23; 15/320, 321,  
15/353, 327.1, 327.6, 50.1

See application file for complete search history.

(Continued)

**FOREIGN PATENT DOCUMENTS**

EP 282850 9/1991

**OTHER PUBLICATIONS**

Street Cleaning device shown on [www.onyx-environment.com](http://www.onyx-environment.com), accessed May 7, 2004, 1 page.  
Madvac PS300 Brochure, Feb. 2004, 4 pages.  
Allied Sweepers 400 Series Specs., May 1998, 1 page.

*Primary Examiner*—Louis S. Zarfes  
*Assistant Examiner*—Kathleen Sims  
(74) *Attorney, Agent, or Firm*—Sheridan Ross P.C.

(57) **CLAIM**

The ornamental design for a floor treatment device, as shown and described.

**DESCRIPTION**

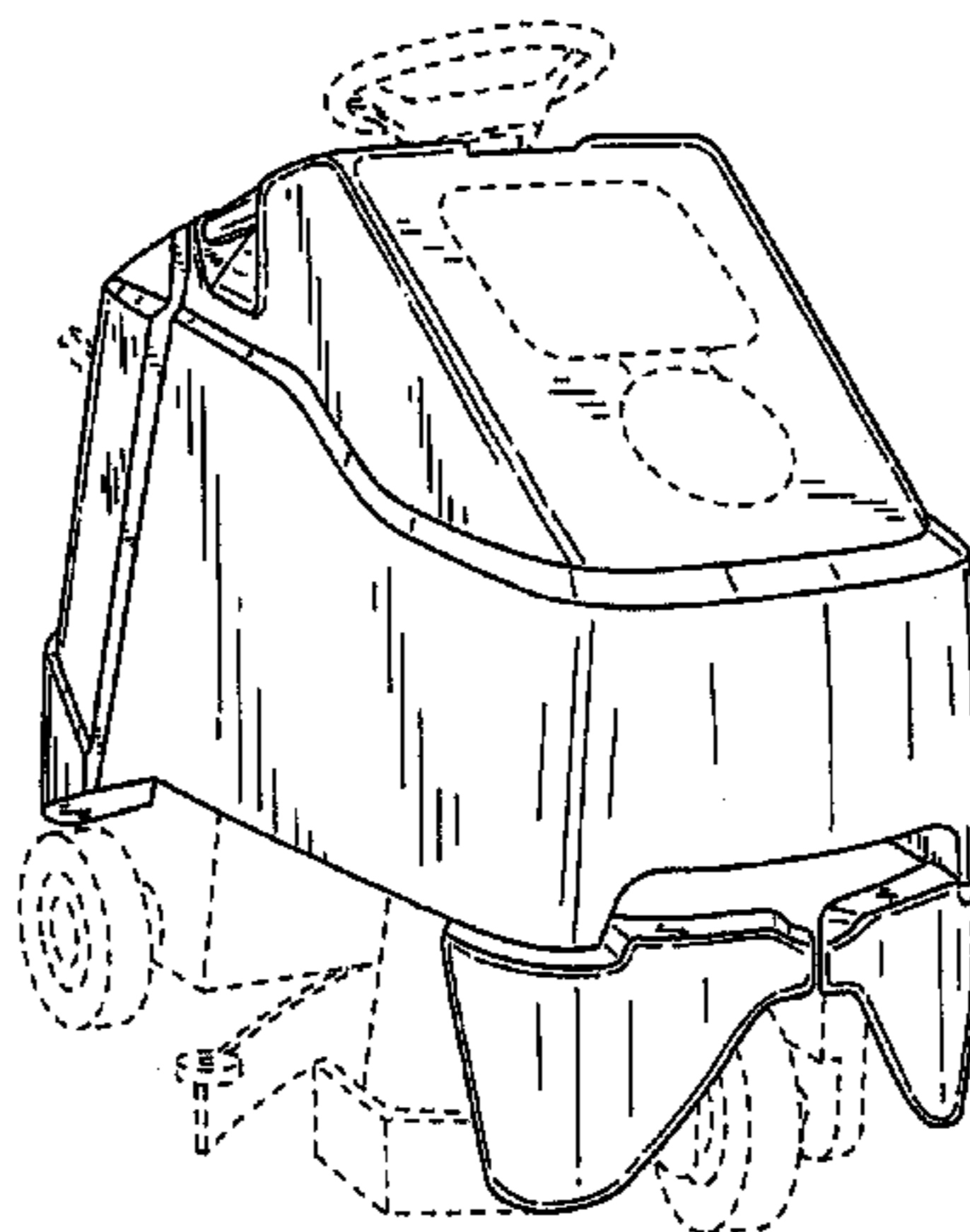
FIG. 1 is a perspective view of a floor treatment device; FIG. 2 is a rear elevation view of the design shown in FIG. 1; and, FIG. 3 is a top plan view of the design shown in FIG. 1. The broken line showing is for illustrative purposes only and forms no part of the claimed design.

**1 Claim, 3 Drawing Sheets**

(56) **References Cited**

**U.S. PATENT DOCUMENTS**

3,020,576 A	2/1962	Gerber	
3,040,363 A	6/1962	Krammes	
3,604,051 A	9/1971	Wendel et al.	
3,833,961 A	9/1974	Fortman et al.	
3,837,029 A	9/1974	Kasper	
3,879,789 A	4/1975	Kasper	
3,896,520 A	7/1975	Williams	
4,041,567 A	8/1977	Burgoon	
4,173,052 A	11/1979	Burgoon et al.	
4,196,492 A	4/1980	Johnson et al.	
4,210,978 A	7/1980	Johnson et al.	
4,219,901 A	9/1980	Burgoon et al.	
4,314,385 A	2/1982	Wimsatt et al.	
4,348,783 A	9/1982	Swanson et al.	
D273,621 S *	4/1984	Haub et al. ....	D32/16
4,467,494 A	8/1984	Jones	
4,586,208 A	5/1986	Trevarthen	
D290,053 S *	5/1987	Block .....	D32/15
D290,054 S *	5/1987	Block .....	D32/15



# US D536,842 S

Page 2

---

## U.S. PATENT DOCUMENTS

6,519,808	B2	2/2003	Legatt et al.	2001/0019935	A1	9/2001	Legatt et al.
6,535,793	B2	3/2003	Allard	2002/0178522	A1	12/2002	Buchegger et al.
6,553,609	B2	4/2003	Tremmel et al.	2003/0019068	A1 *	1/2003	Field et al. .... 15/320
6,585,827	B2 *	7/2003	Field et al. .... 134/6	2003/0019069	A1 *	1/2003	Field et al. .... 15/320
6,594,844	B2	7/2003	Jones	2003/0046788	A1	3/2003	Kent at al.
6,625,843	B2	9/2003	Kim et al.	2003/0070249	A1	4/2003	Lehman et al.
6,629,333	B2	10/2003	Bolden	2003/0070252	A1 *	4/2003	Pedlar et al. .... 15/401
6,845,829	B2	1/2005	Hafendorfer	2005/0132527	A1 *	6/2005	Pedlar et al. .... 15/340.3

\* cited by examiner

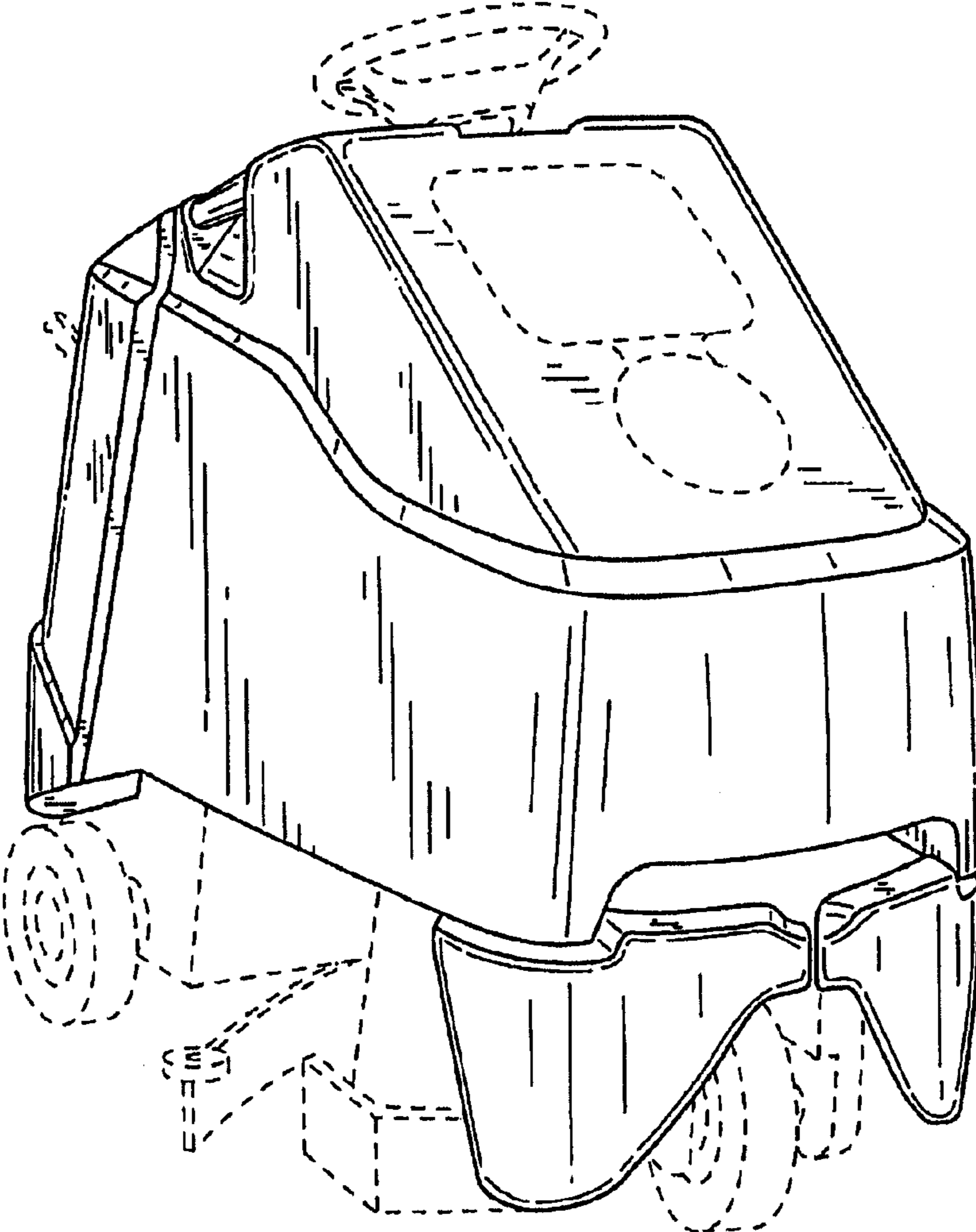


FIG.1

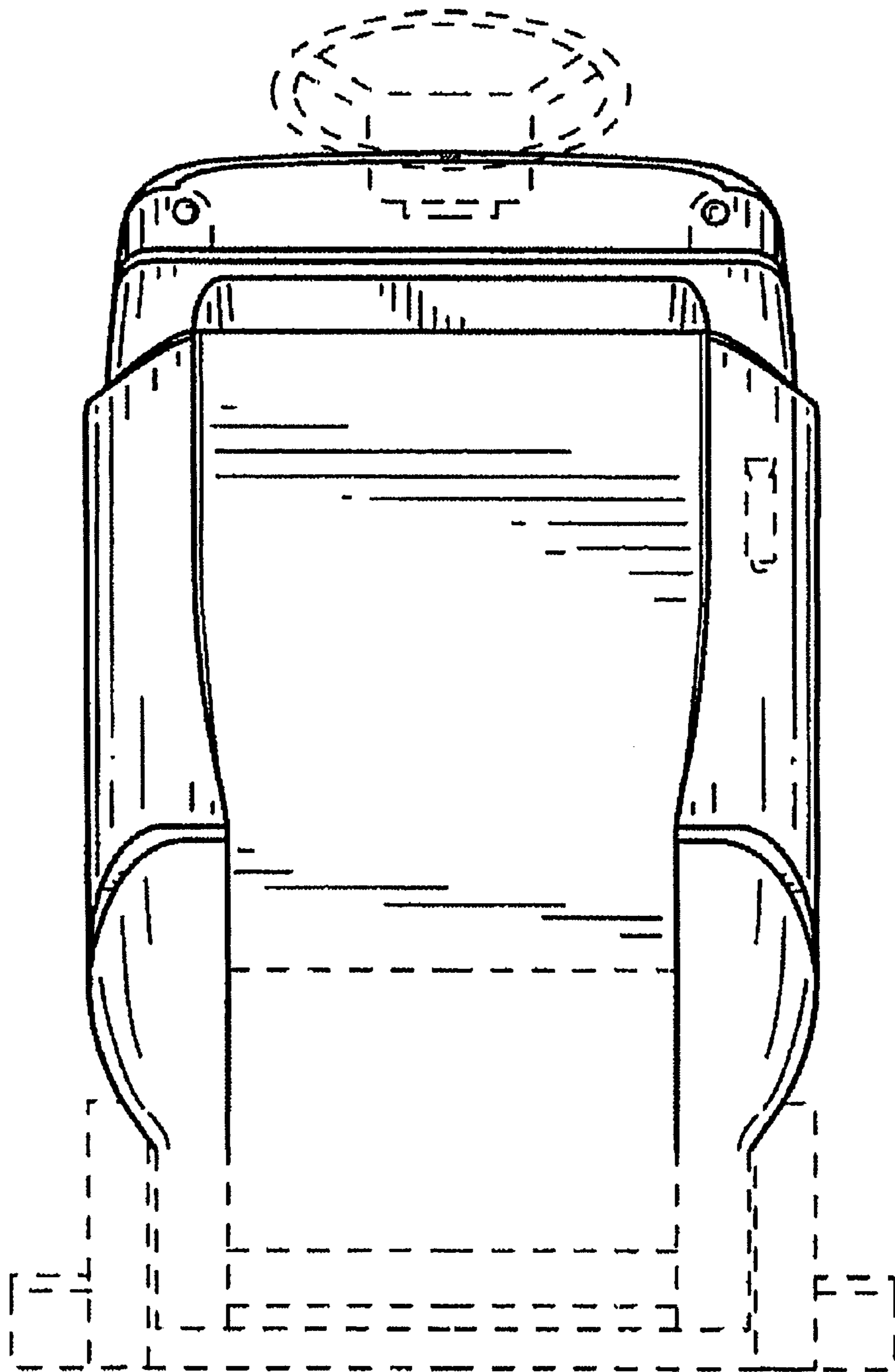


FIG. 2

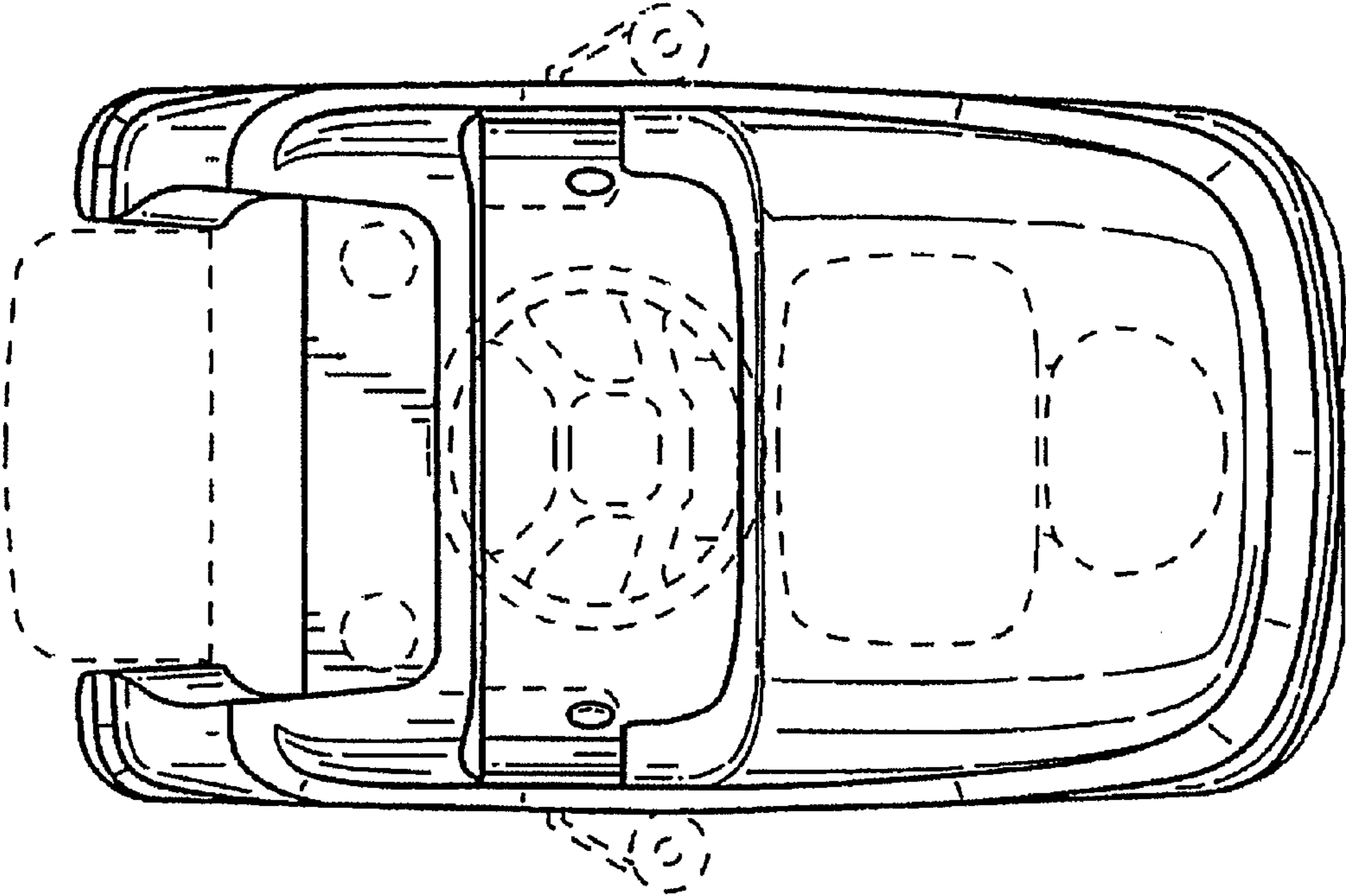


FIG. 3