



US00D536840S

(12) **United States Design Patent**  
**Renforth**

(10) **Patent No.:** **US D536,840 S**

(45) **Date of Patent:** **\*\* Feb. 13, 2007**

(54) **REVOLVING ANCHORED PET TOY**

(75) Inventor: **Jack W. Renforth**, Aurora, CO (US)

(73) Assignee: **Aspen Pet Products, Inc.**, Denver, CO (US)

(\*\*) Term: **14 Years**

(21) Appl. No.: **29/213,166**

(22) Filed: **Sep. 13, 2004**

(51) **LOC (8) Cl.** ..... **30-99**

(52) **U.S. Cl.** ..... **D30/160**

(58) **Field of Classification Search** ..... D30/160,  
D30/199; 119/701-711; D21/406, 408, 490,  
D21/498, 576, 599, 656  
See application file for complete search history.

(56) **References Cited**

**U.S. PATENT DOCUMENTS**

|             |   |         |                  |       |         |
|-------------|---|---------|------------------|-------|---------|
| D279,308 S  | * | 6/1985  | Marschak         | ..... | D21/609 |
| D300,441 S  | * | 3/1989  | Ryland           | ..... | D21/653 |
| D350,577 S  | * | 9/1994  | Giudice          | ..... | D21/712 |
| D373,662 S  | * | 9/1996  | Box              | ..... | D30/160 |
| D380,879 S  | * | 7/1997  | Hernandez        | ..... | D30/160 |
| 5,829,391 A | * | 11/1998 | Krietzman et al. | ..... | 119/708 |
| D411,042 S  | * | 6/1999  | Willinger        | ..... | D30/160 |

|            |   |        |               |       |         |
|------------|---|--------|---------------|-------|---------|
| D411,358 S | * | 6/1999 | Baiera et al. | ..... | D30/160 |
| D428,079 S | * | 7/2000 | Yamazaki      | ..... | D21/599 |

\* cited by examiner

*Primary Examiner*—Louis S. Zarfasy

*Assistant Examiner*—Anhdao Doan

(74) *Attorney, Agent, or Firm*—Dorsey & Whitney LLP

(57) **CLAIM**

I claim the ornamental design for a revolving anchored pet toy, as shown and described.

**DESCRIPTION**

FIG. 1 is a perspective view showing the front, top, and left sides of a revolving anchored pet toy;

FIG. 2 is a front plan view of the revolving anchored pet toy depicted in FIG. 1;

FIG. 3 is a rear plan view of the revolving anchored pet toy depicted in FIG. 1;

FIG. 4 is a left-side view of the revolving anchored pet toy depicted in FIG. 1;

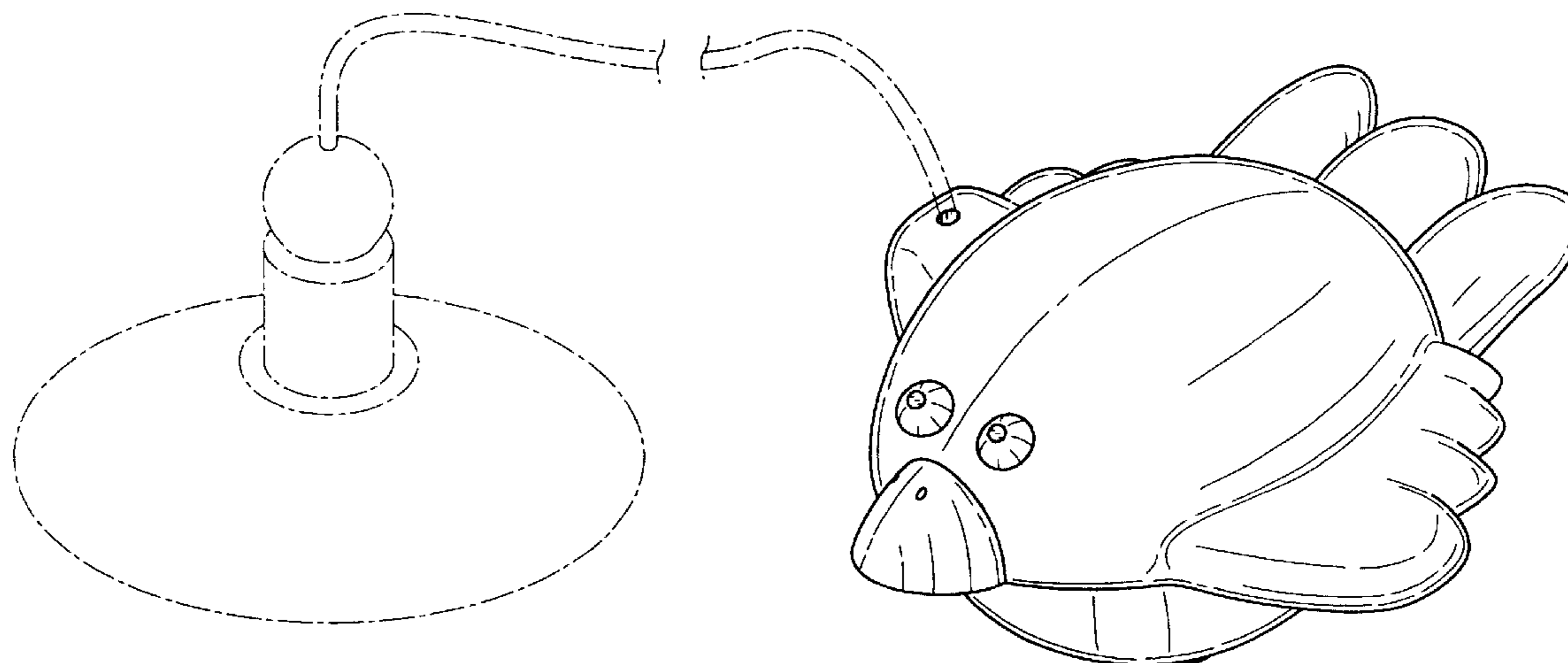
FIG. 5 is a right-side view of the revolving anchored pet toy depicted in FIG. 1;

FIG. 6 is a top plan view of the revolving anchored pet toy depicted in FIG. 1; and,

FIG. 7 is a bottom plan view of the revolving anchored pet toy depicted in FIG. 1.

The broken line showing of the environment is for illustrative purposes only and forms no part of the claimed design.

**1 Claim, 5 Drawing Sheets**



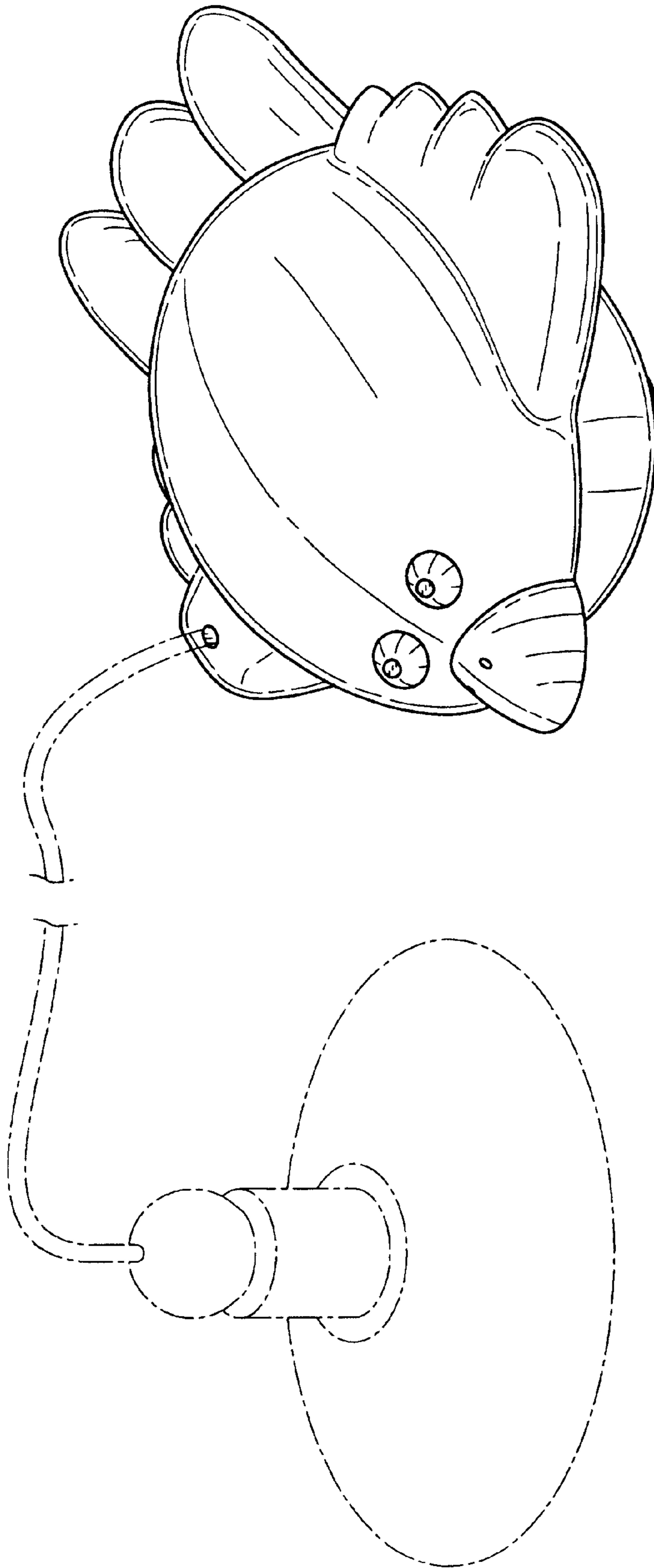


FIG.1

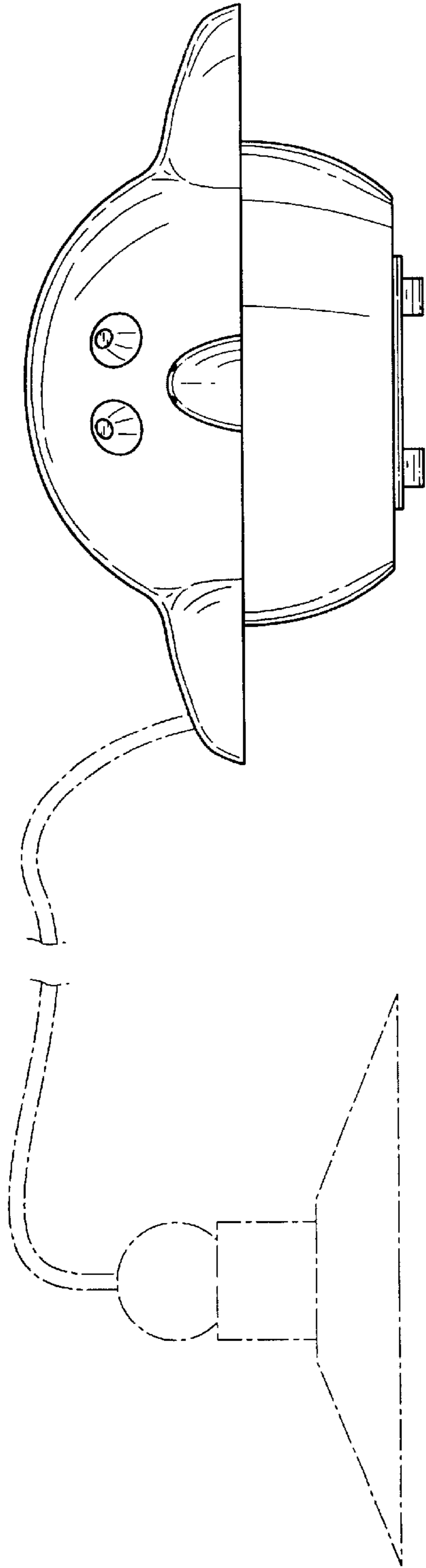


FIG.2

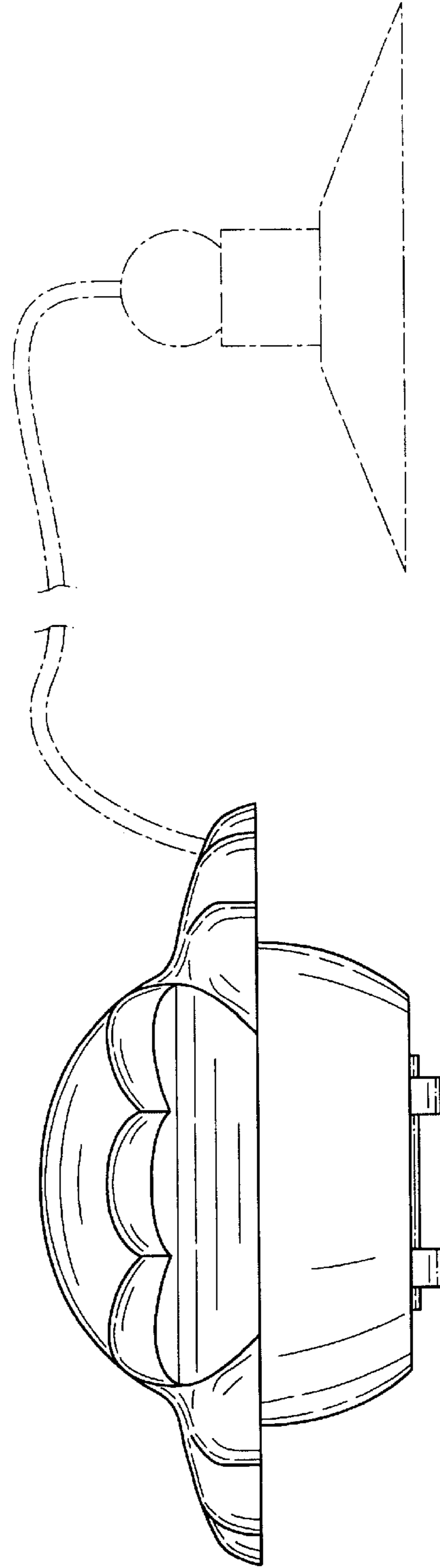


FIG.3

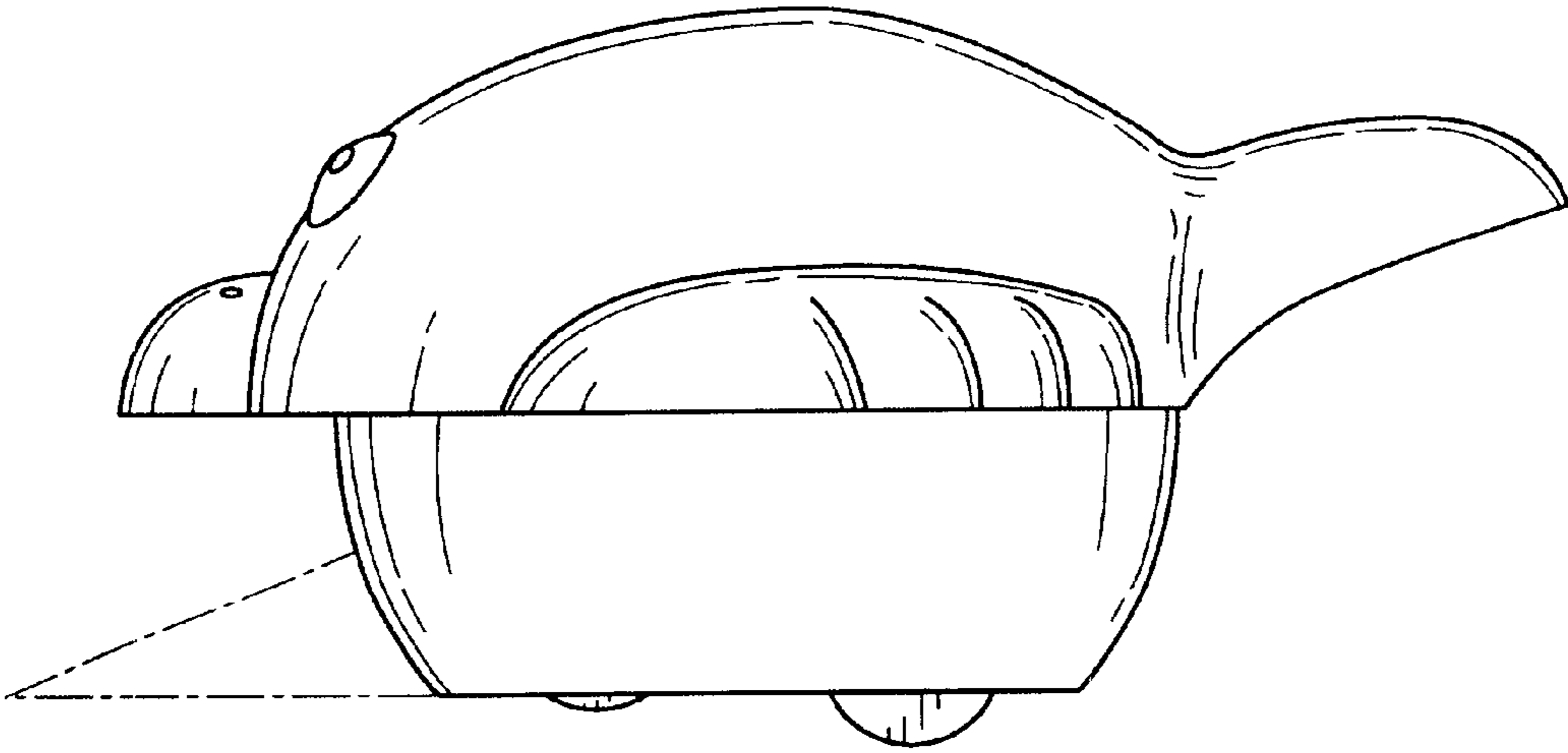


FIG. 4

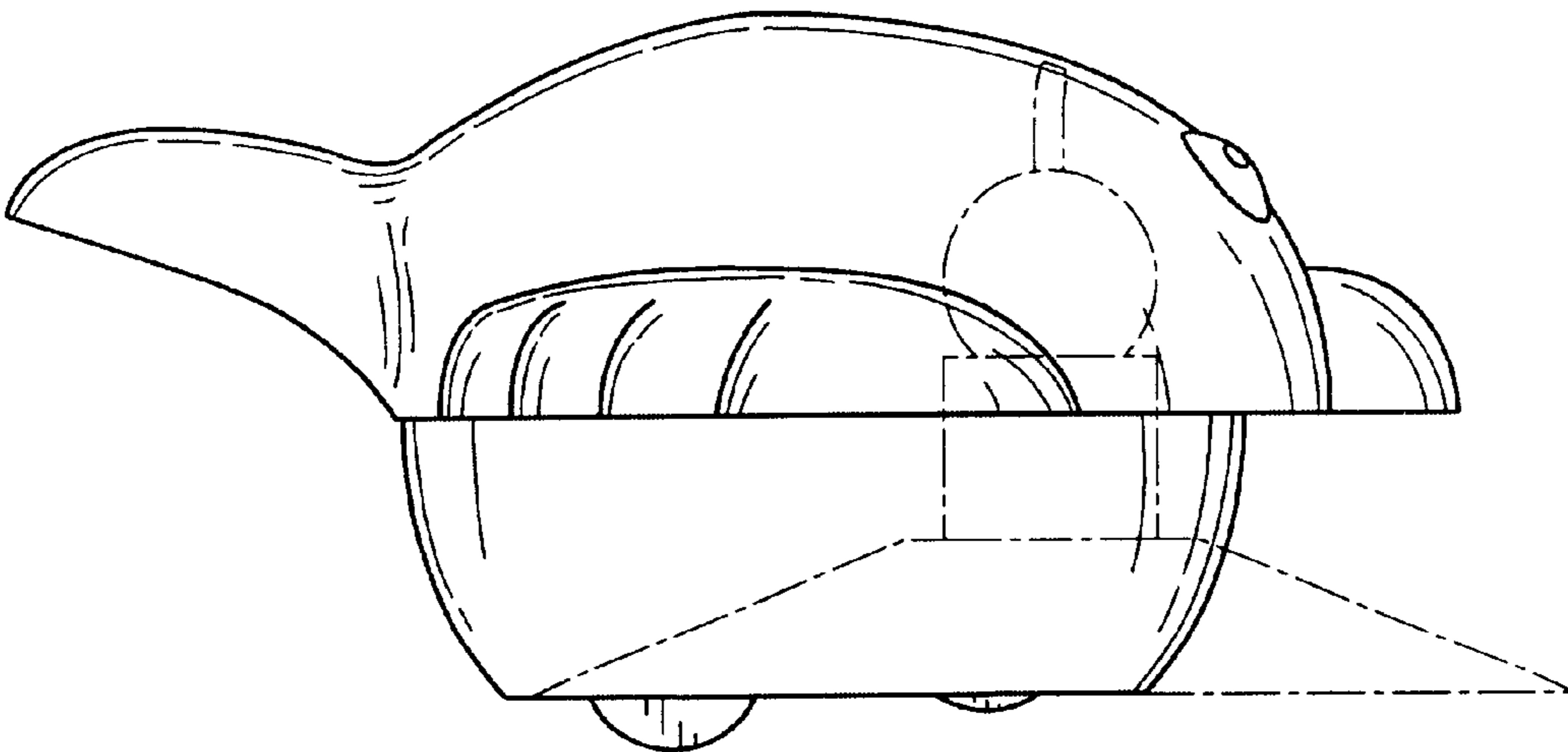


FIG. 5

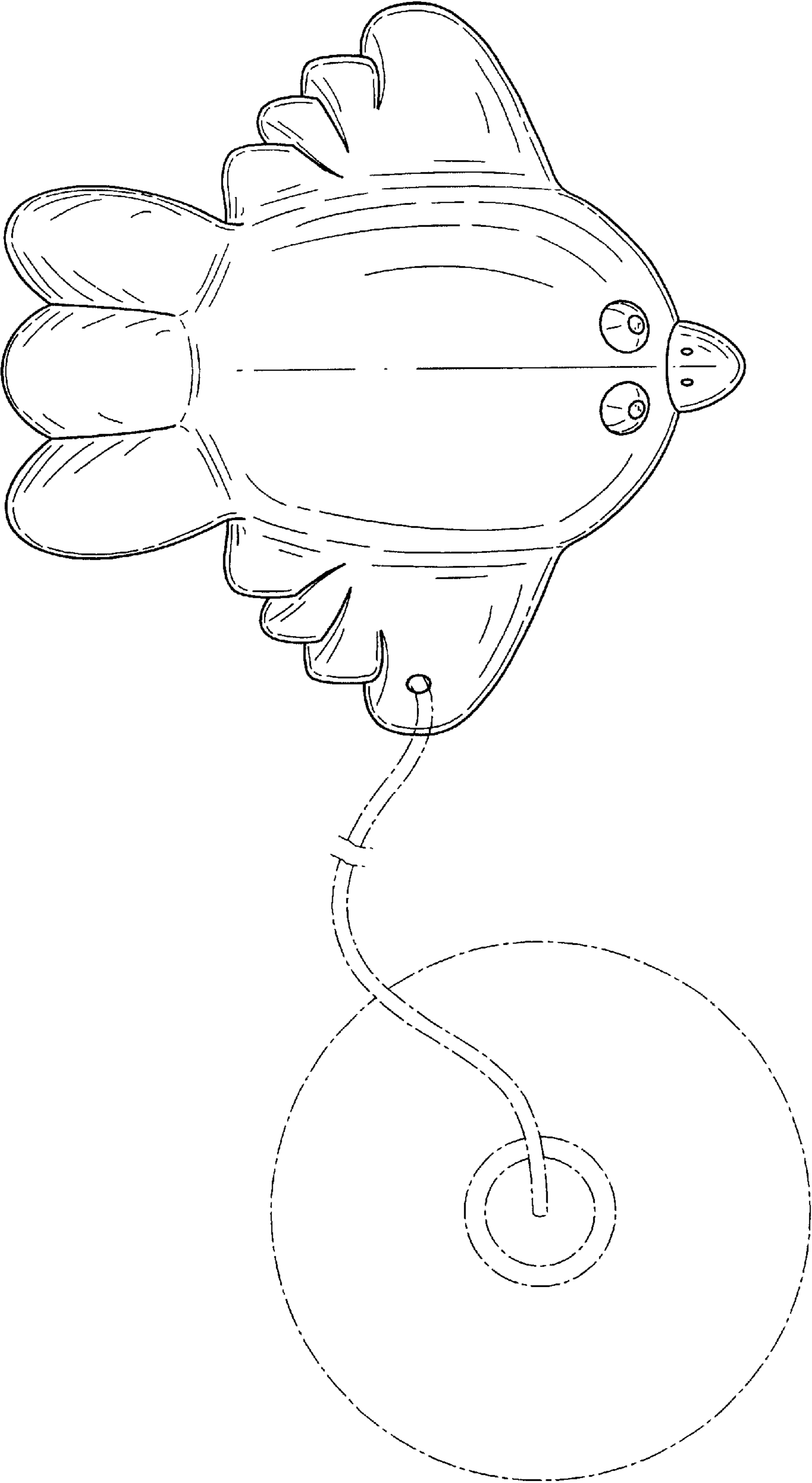


FIG.6

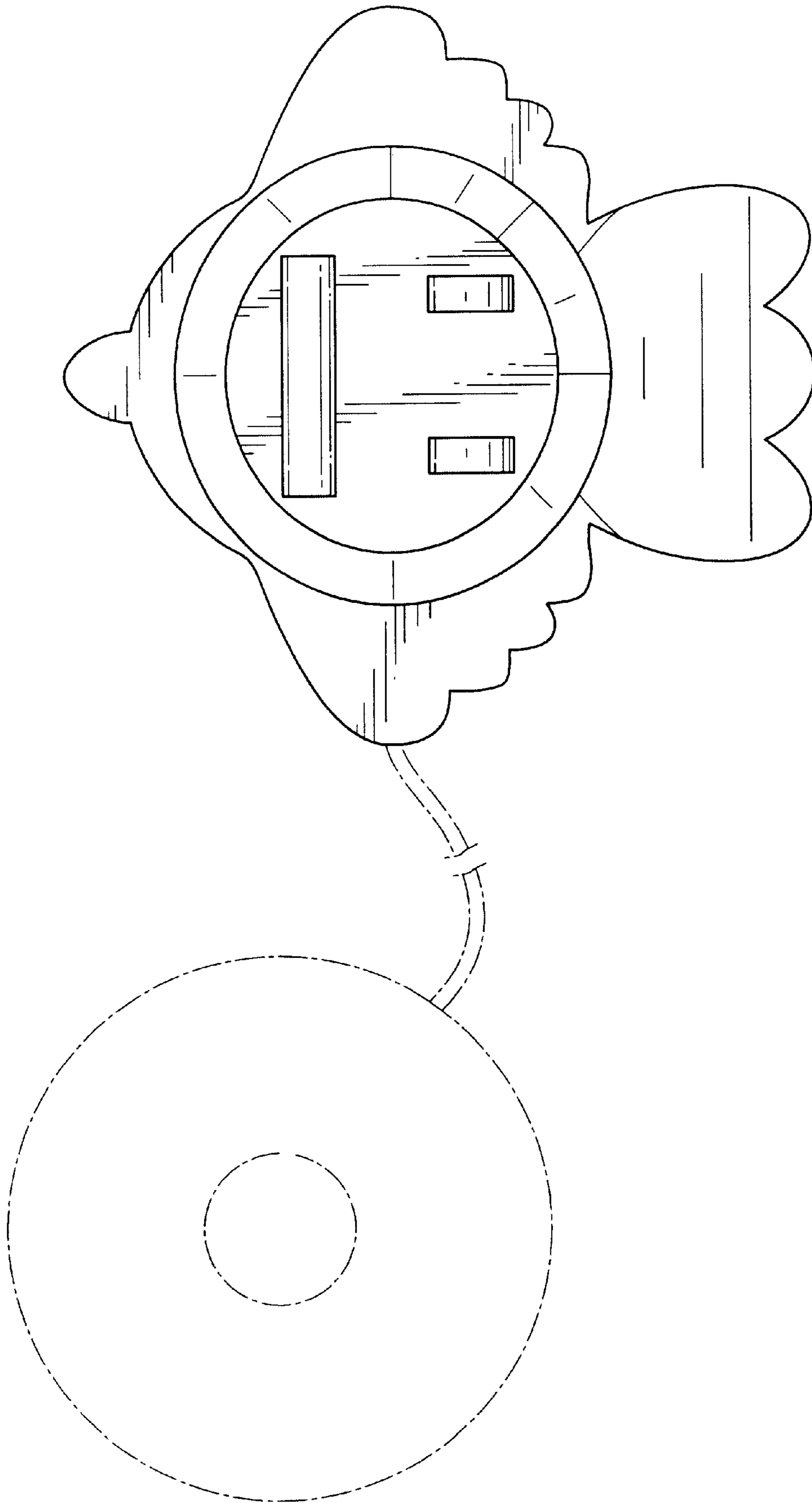


FIG.7