



US00D536833S

(12) **United States Design Patent**  
**Broersma**

(10) **Patent No.:** **US D536,833 S**

(45) **Date of Patent:** **\*\* Feb. 13, 2007**

- (54) **FULL COVERAGE ELONGATED HEAD SHIELD**
- (75) Inventor: **Lester Broersma**, San Diego, CA (US)
- (73) Assignee: **BrassEagle, LLC**, Bentonville, AR (US)
- (\*\*) Term: **14 Years**
- (21) Appl. No.: **29/231,058**
- (22) Filed: **May 31, 2005**
- (51) **LOC (8) Cl.** ..... **29-02**
- (52) **U.S. Cl.** ..... **D29/107**
- (58) **Field of Classification Search** ..... D29/102-112, D29/122; 2/5, 6.1-6.8, 9, 15, 410-415, 421-425, 2/427-428, 431, 435, 452, 468, 205-206, 2/172-173, 175.6, 209.13, 209.14; D2/866, D2/639; 128/857-858, 866-867, 201.23; D24/110.2, 110.3; 222/144.5  
See application file for complete search history.

5,099,523 A	3/1992	Broersma	2/411
5,119,516 A	6/1992	Broersma	2/411
5,123,121 A	6/1992	Broersma	2/421
5,269,025 A	12/1993	Broersma	2/411
5,309,576 A	5/1994	Broersma	2/412
5,351,341 A	10/1994	Broersma	2/412
D373,224 S *	8/1996	Pernicka et al.	D29/110
5,642,530 A	7/1997	Parks	2/435
D407,858 S *	4/1999	Cyr et al.	D29/108
6,085,357 A	7/2000	Broersma	2/416
6,381,749 B1 *	5/2002	Cyr	2/9
D484,281 S *	12/2003	Gagnon et al.	D29/110
D487,534 S *	3/2004	Broersma	D29/108
D497,039 S *	10/2004	Dehaan et al.	D29/108
6,874,169 B2	4/2005	Broersma	2/423
6,886,183 B2 *	5/2005	DeHaan et al.	2/6.7
6,957,447 B1 *	10/2005	Broersma	2/9
6,966,067 B1 *	11/2005	Lusk	2/9

\* cited by examiner

*Primary Examiner*—Ruth McInroy  
(74) *Attorney, Agent, or Firm*—Keisling Pieper & Scott PLC; David B. Pieper; Trent C. Keisling

(56) **References Cited**

**U.S. PATENT DOCUMENTS**

D277,520 S	2/1985	Gregory	D2/233
4,555,816 A	12/1985	Broersma	2/425
D284,327 S	6/1986	Gregory et al.	D2/233
D285,381 S	9/1986	Dawson et al.	D2/232
4,612,675 A	9/1986	Broersma	2/424
4,625,341 A	12/1986	Broersma	2/424
4,627,115 A	12/1986	Broersma	2/425
D288,980 S *	3/1987	Pernicka	D29/110
4,901,373 A	2/1990	Broersma	2/421
4,903,348 A	2/1990	Broersma	2/421
D317,063 S *	5/1991	Johnson	D29/110
5,018,223 A	5/1991	Dawson et al.	2/436

(57) **CLAIM**

I claim the ornamental design for a full coverage elongated head shield, as shown and described.

**DESCRIPTION**

FIG. 1 is a front view of a full coverage elongated head shield showing my new design; FIG. 2 is a right side view thereof; FIG. 3 is a left side view thereof; FIG. 4 is a back view thereof; FIG. 5 is a top view thereof; and, FIG. 6 is a bottom view thereof.

**1 Claim, 3 Drawing Sheets**

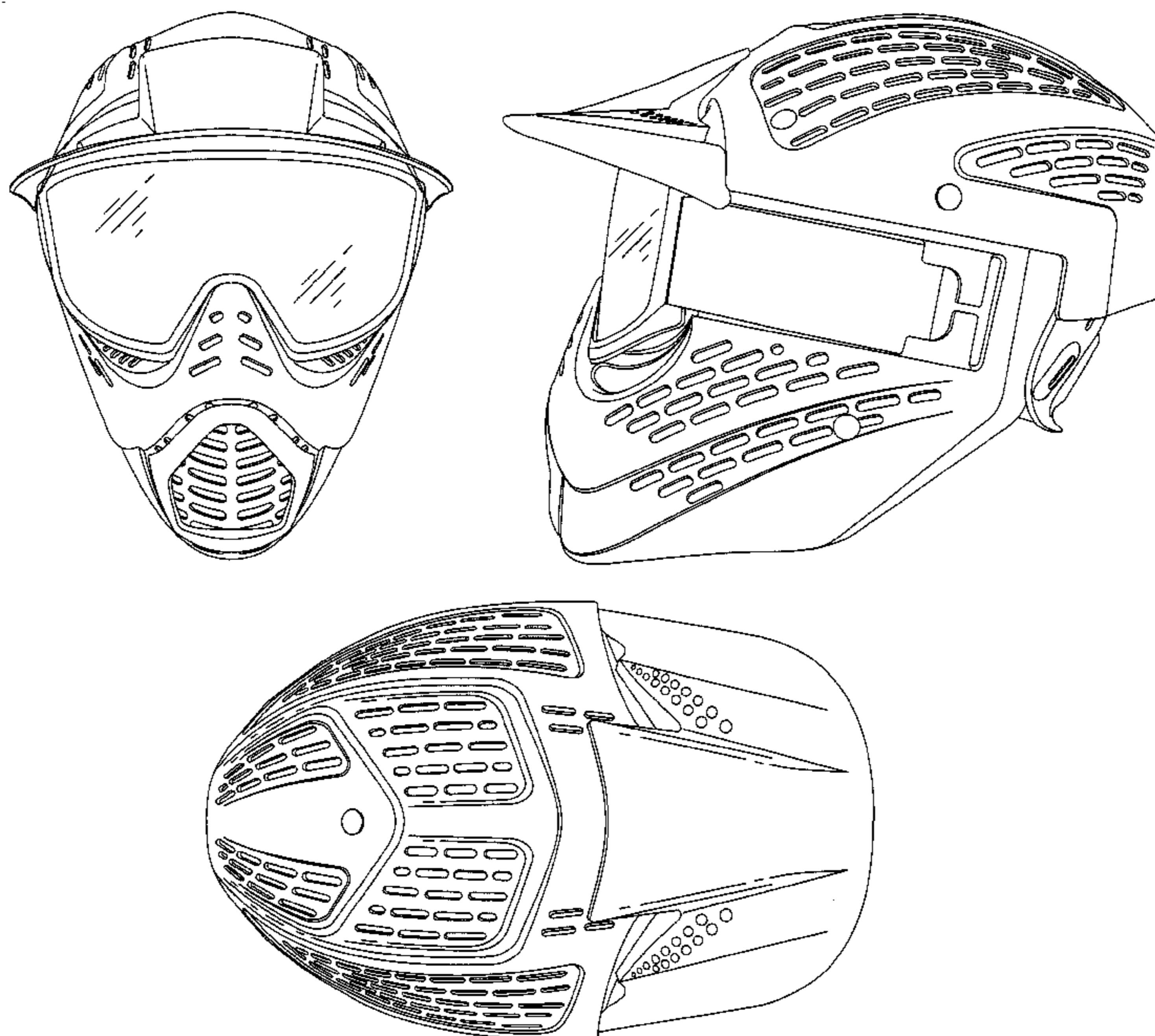


FIG. 1

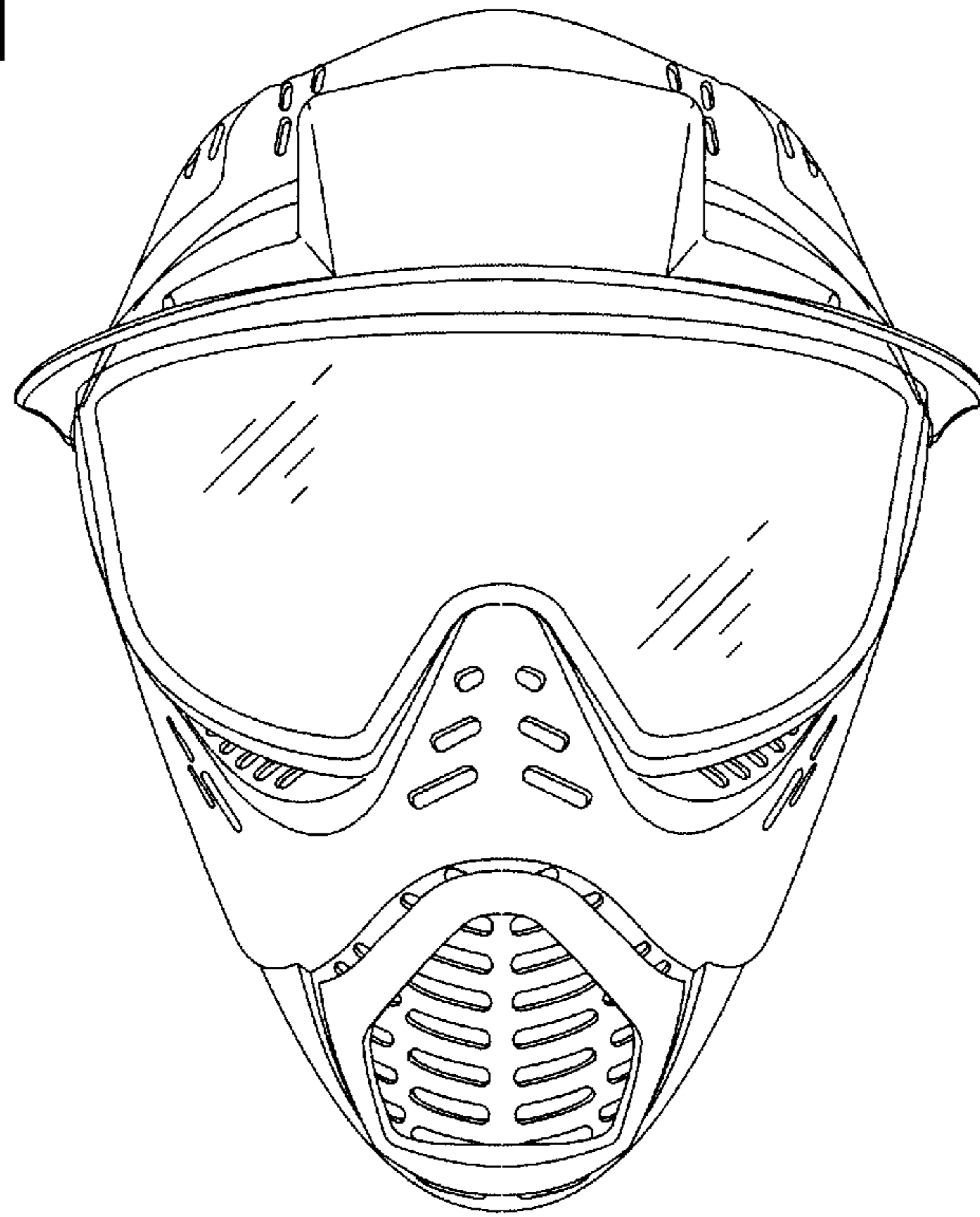


FIG. 2

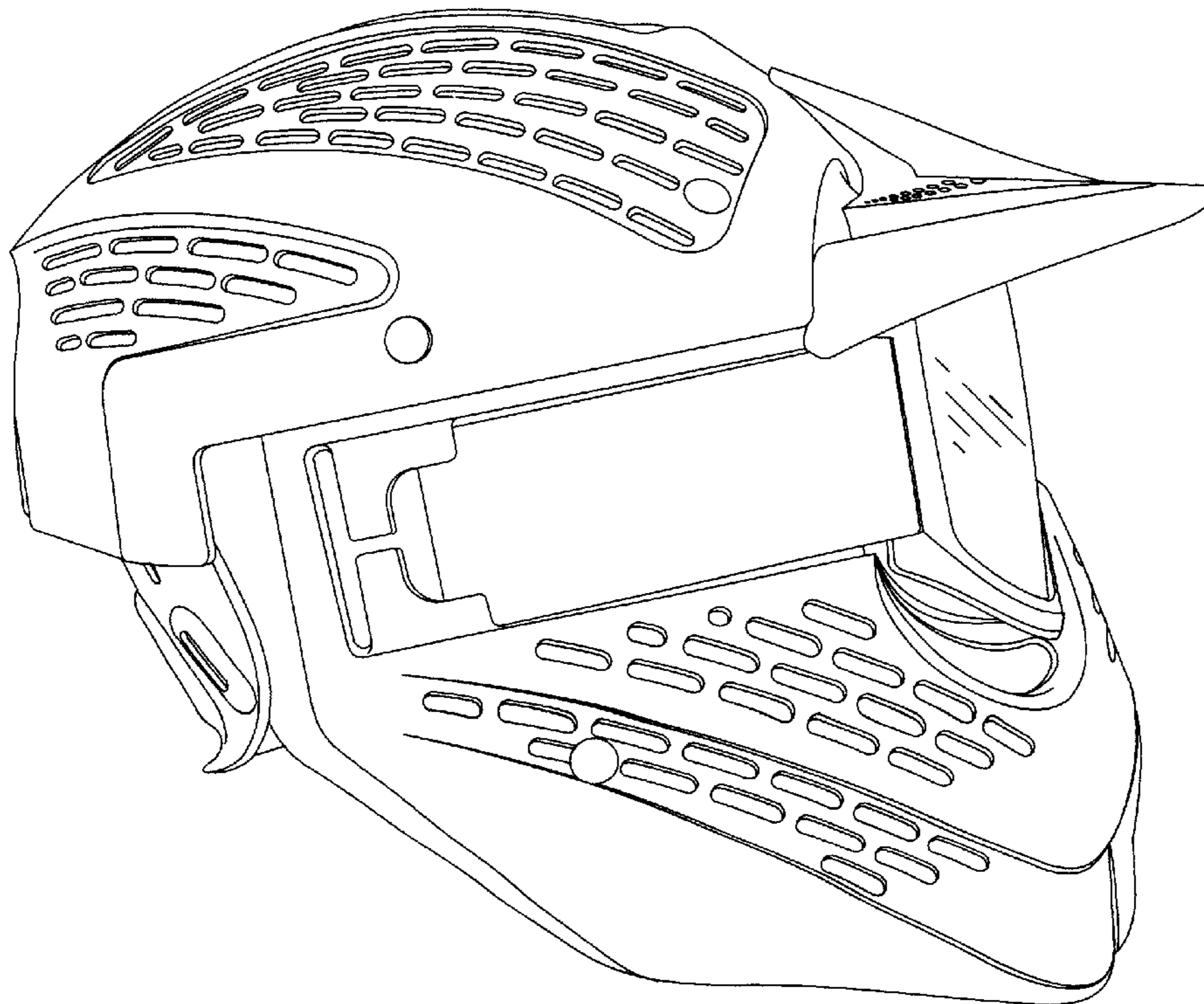




FIG. 3

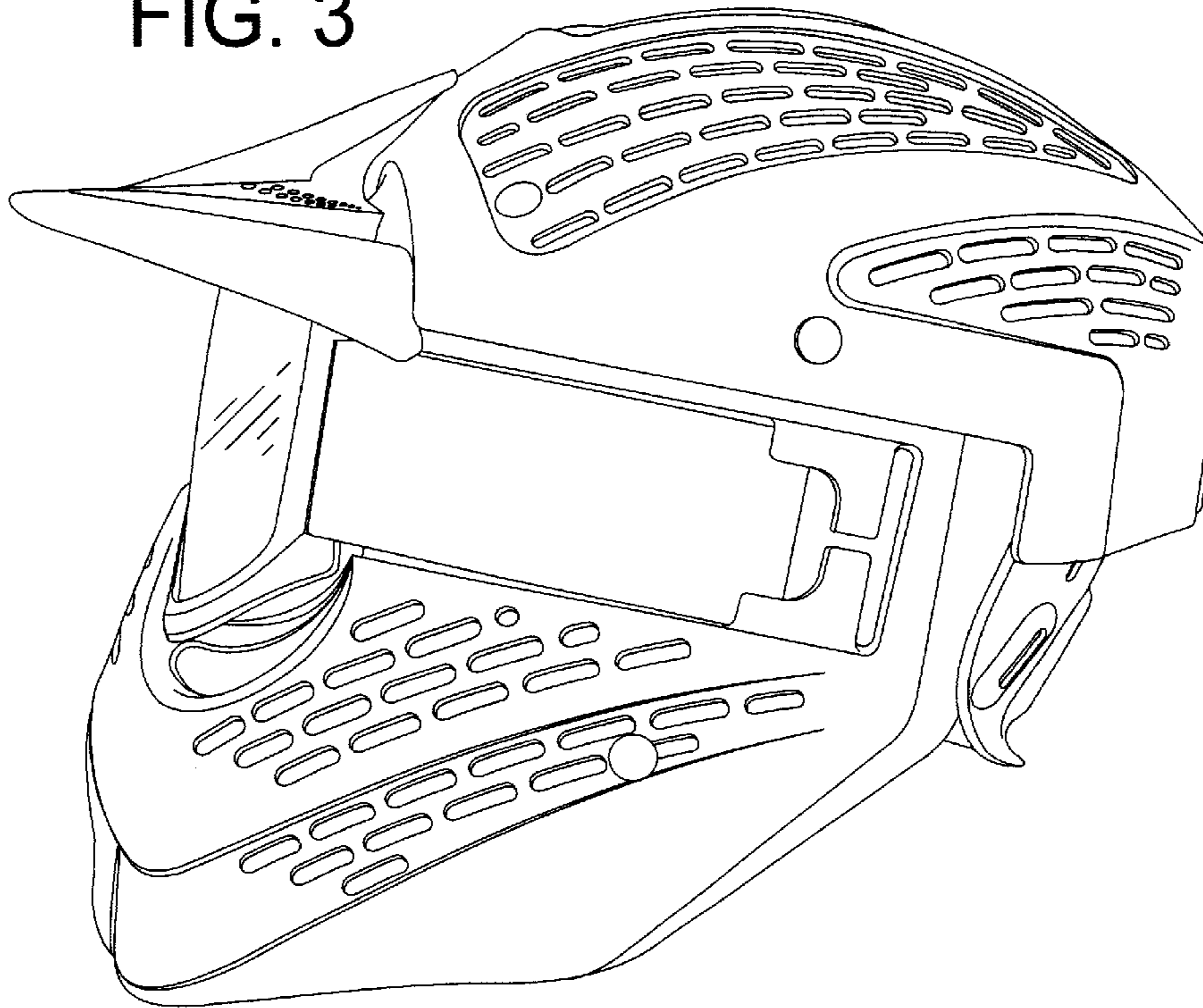


FIG. 4

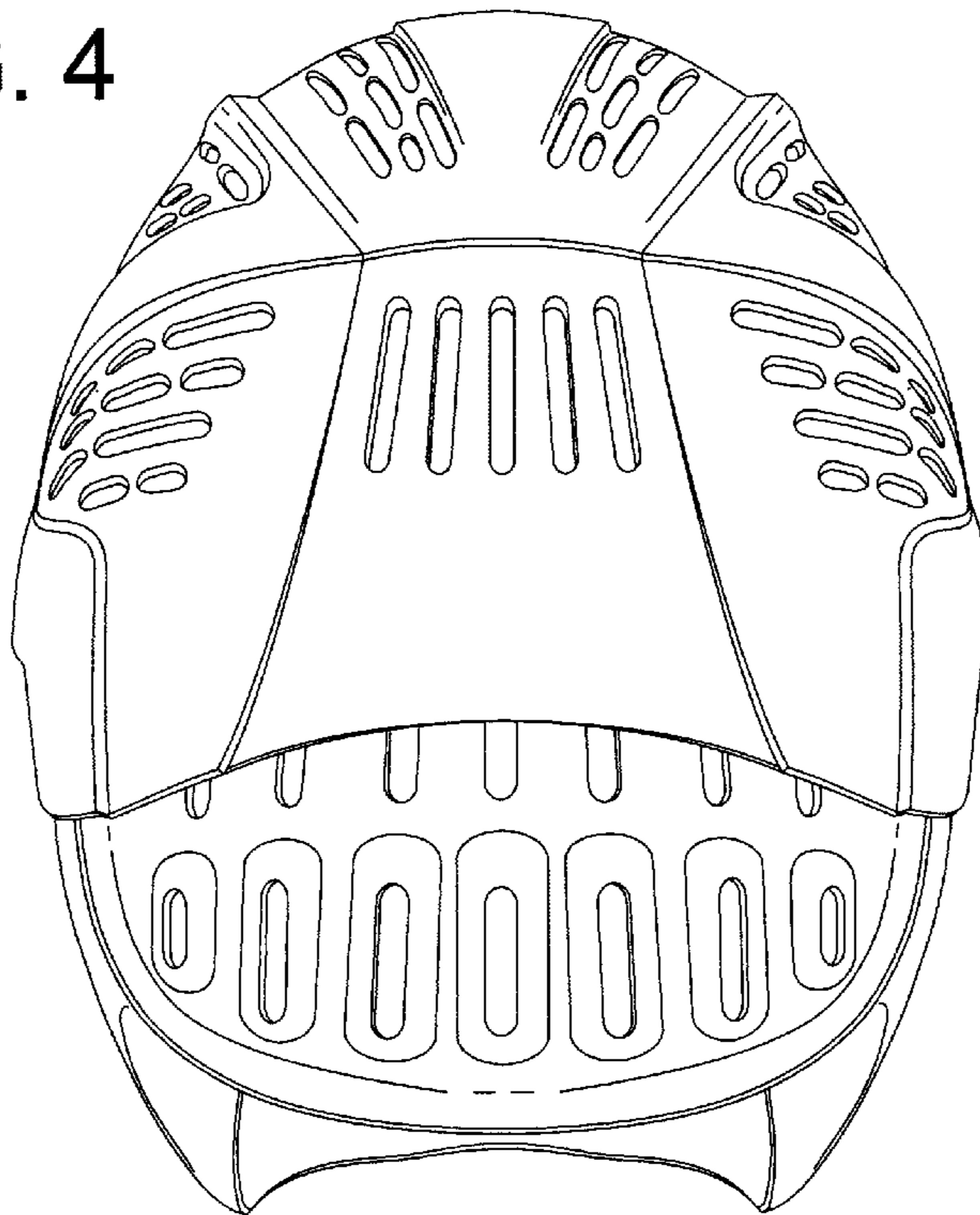


FIG. 5

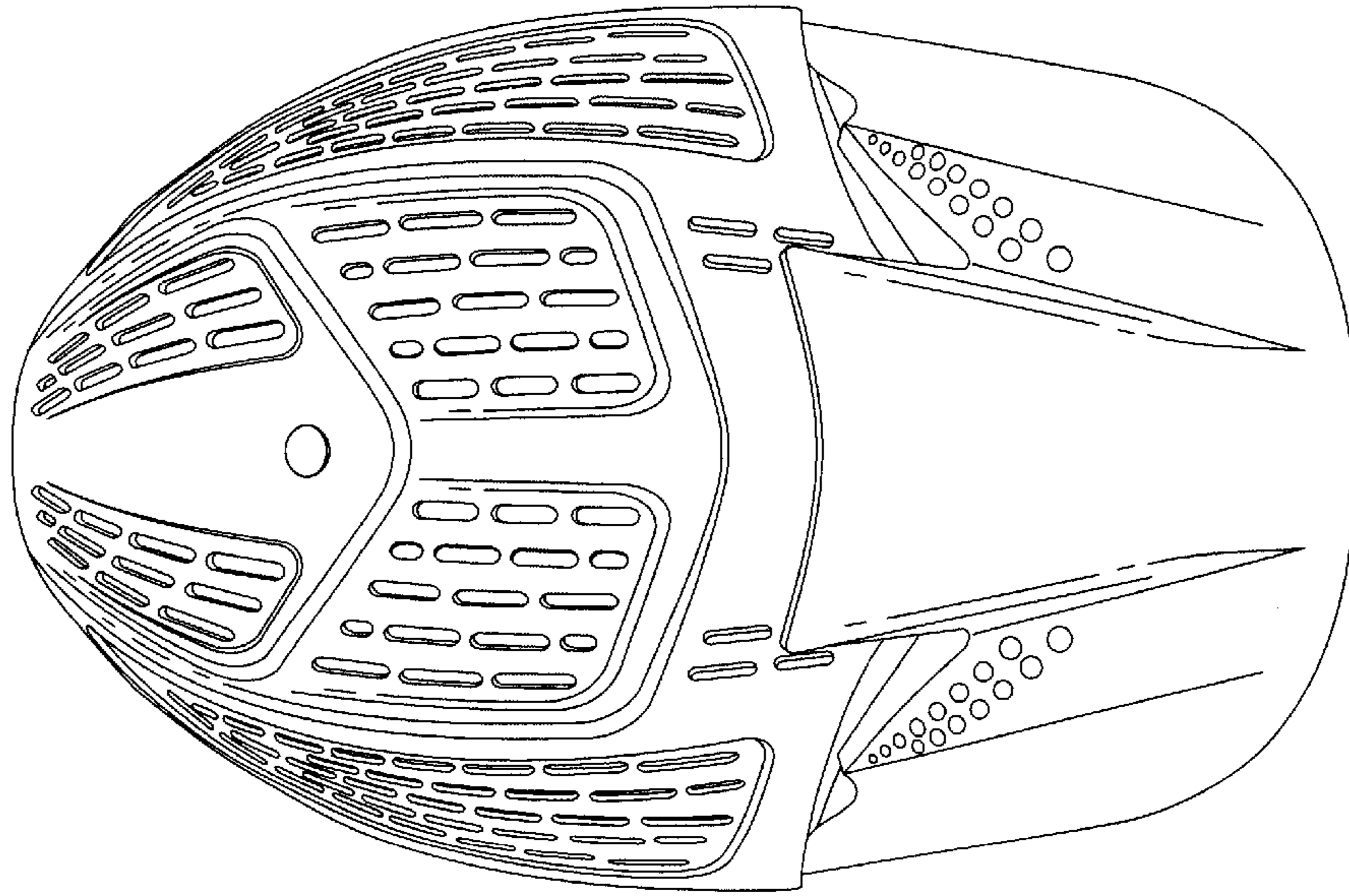


FIG. 6

