



US00D536831S

(12) **United States Design Patent**  
**Hsu**

(10) **Patent No.:** **US D536,831 S**

(45) **Date of Patent:** **\*\* Feb. 13, 2007**

(54) **HAND DRYER**

(75) Inventor: **Chi-Chin Hsu**, Taipei County (TW)

(73) Assignee: **Hokwang Industries Co., Ltd.**, Taipei County (TW)

(\*\*) Term: **14 Years**

(21) Appl. No.: **29/242,423**

(22) Filed: **Nov. 10, 2005**

(51) **LOC (8) Cl.** ..... **28-03**

(52) **U.S. Cl.** ..... **D28/54.1**

(58) **Field of Classification Search** ..... D28/54.1,  
D28/58, 12; 392/380, 381; D23/357, 361,  
D23/383, 385, 370, 371; 34/266, 201, 202;  
D7/91, 350.4

See application file for complete search history.

(56) **References Cited**

**U.S. PATENT DOCUMENTS**

- D292,325 S \* 10/1987 Maass ..... D28/12
- D292,326 S \* 10/1987 Maass ..... D28/12
- D294,740 S \* 3/1988 Yonezawa et al. .... D28/12
- D340,605 S \* 10/1993 Feigenbaum ..... D6/545

- D416,418 S \* 11/1999 Kampe et al. .... D6/545
- D472,754 S \* 4/2003 Long et al. .... D7/309
- D479,075 S \* 9/2003 Zhao ..... D6/542
- D479,087 S \* 9/2003 Yao ..... D7/309
- D496,201 S \* 9/2004 Chen ..... D6/545

\* cited by examiner

*Primary Examiner*—Janice Seeger

*Assistant Examiner*—Zenia I. Bennett

(74) *Attorney, Agent, or Firm*—Birch, Stewart, Kolasch & Birch, LLP

(57) **CLAIM**

The ornamental design for “hand dryer,” as shown and described.

**DESCRIPTION**

FIG. 1 is a perspective view of “hand dryer” showing my new design thereof;

FIG. 2 is a left side elevational view thereof;

FIG. 3 is a top plan view thereof;

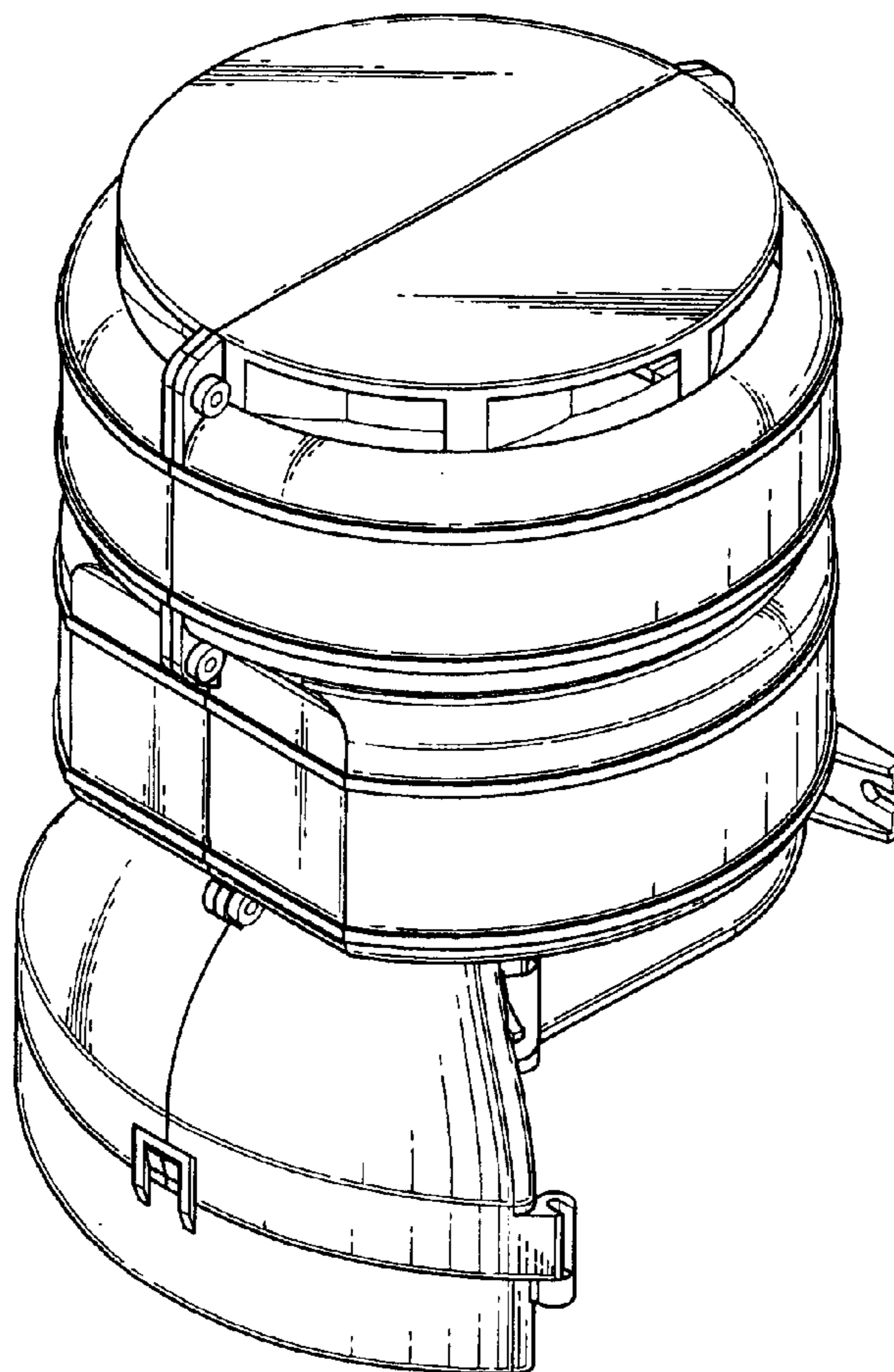
FIG. 4 is a front side elevational view thereof;

FIG. 5 is a bottom plan view thereof;

FIG. 6 is a right side elevational view thereof; and,

FIG. 7 is a rear side elevational view thereof.

**1 Claim, 6 Drawing Sheets**



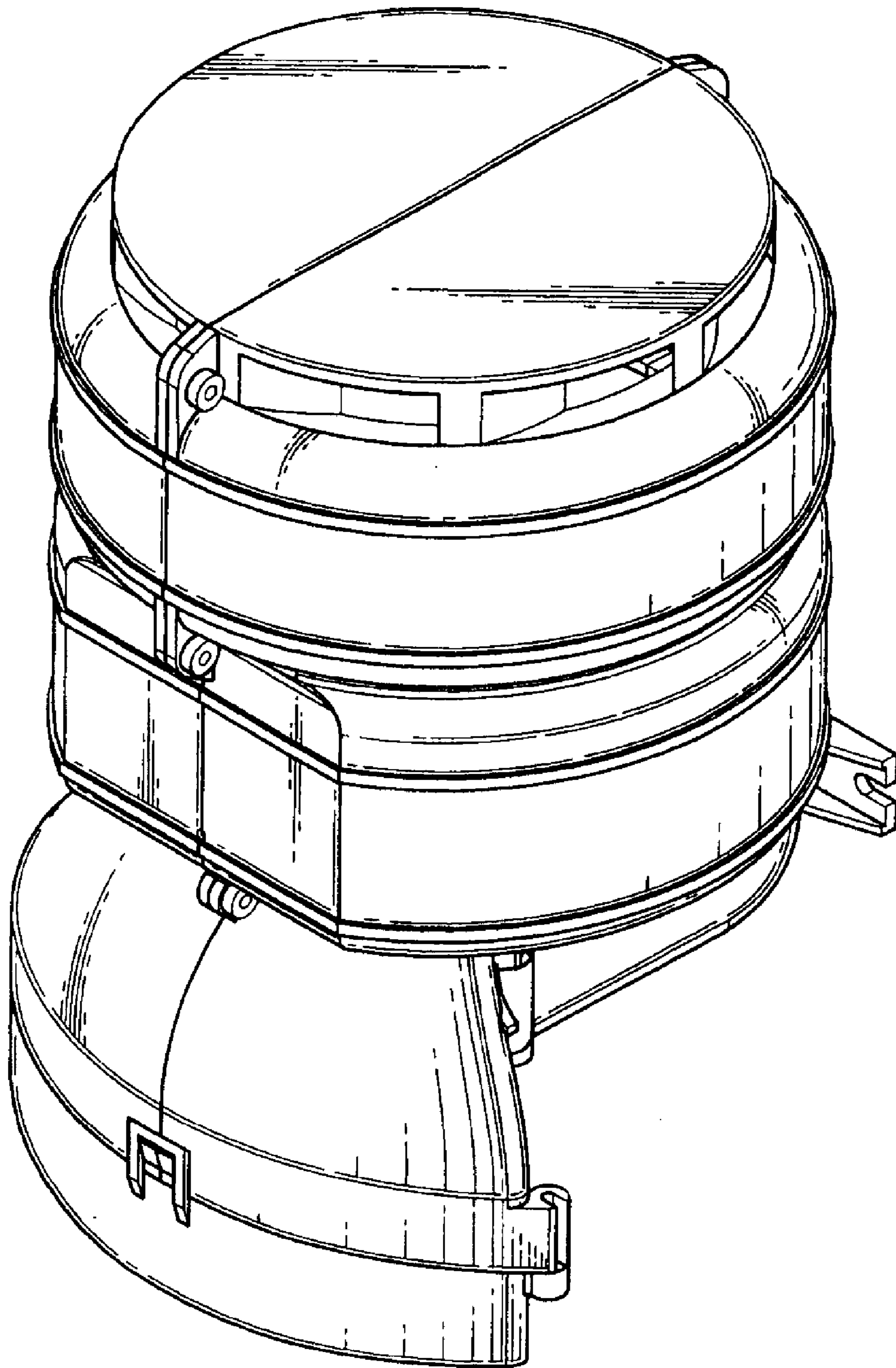


Fig. 1

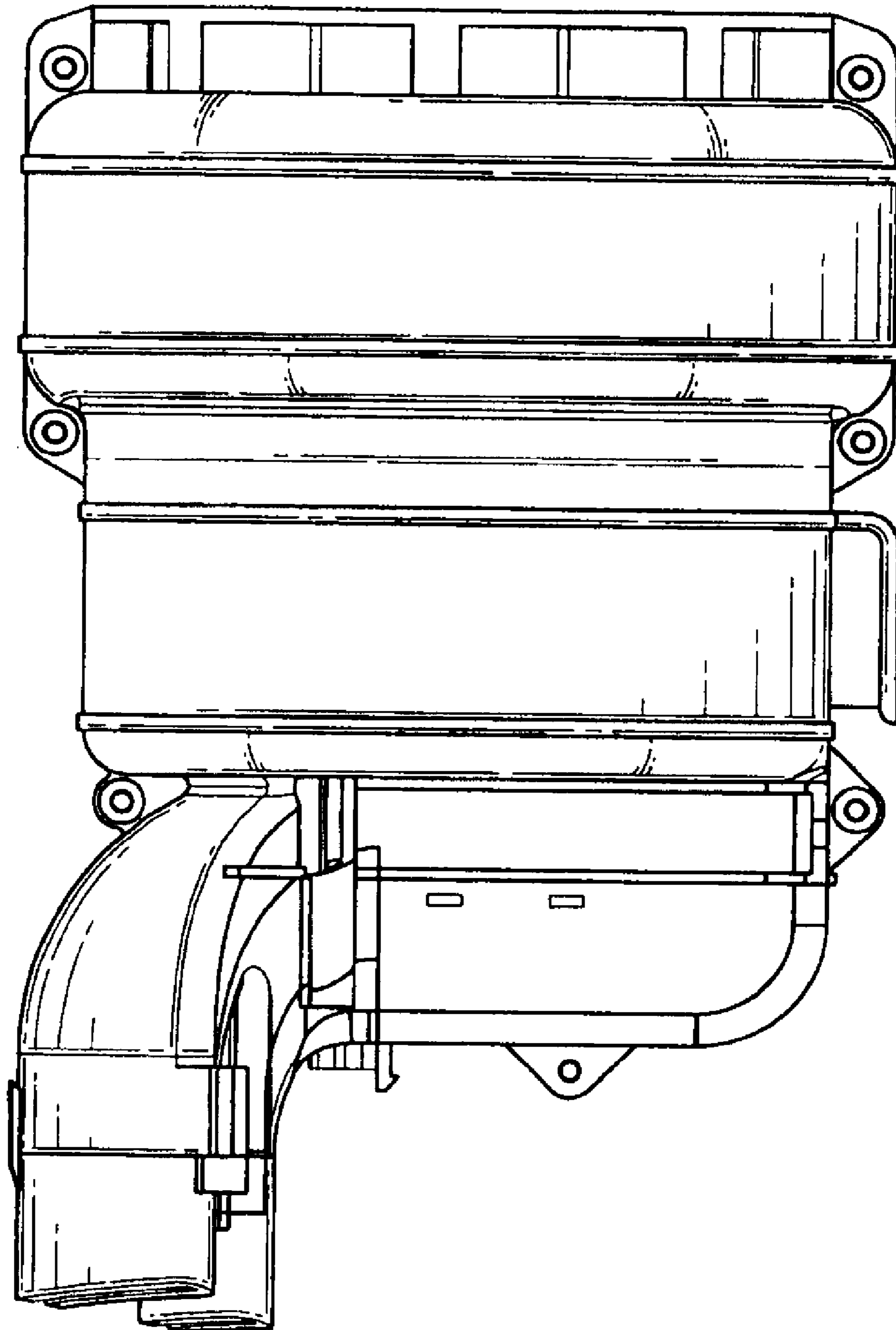


Fig. 2

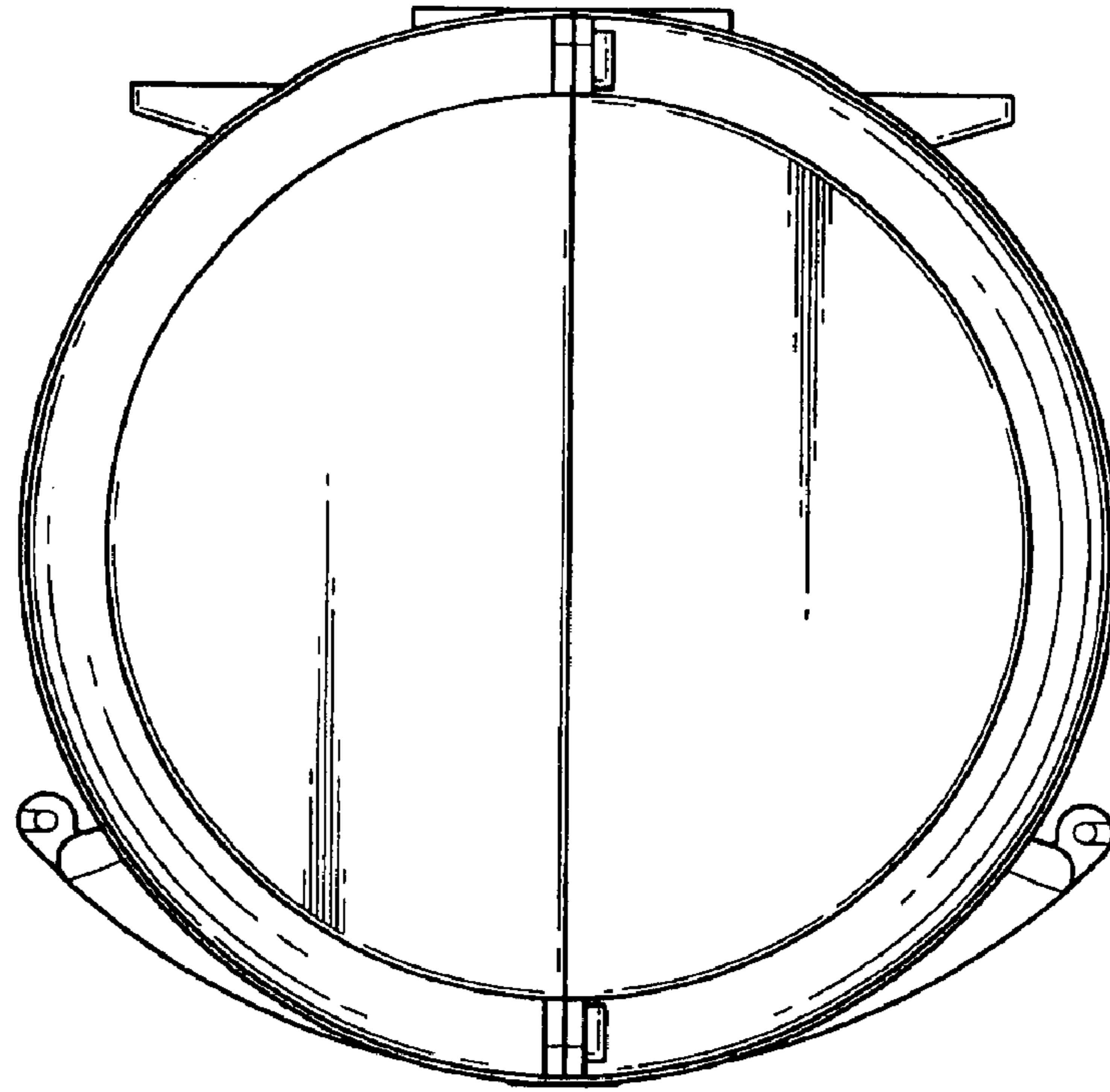


Fig. 3

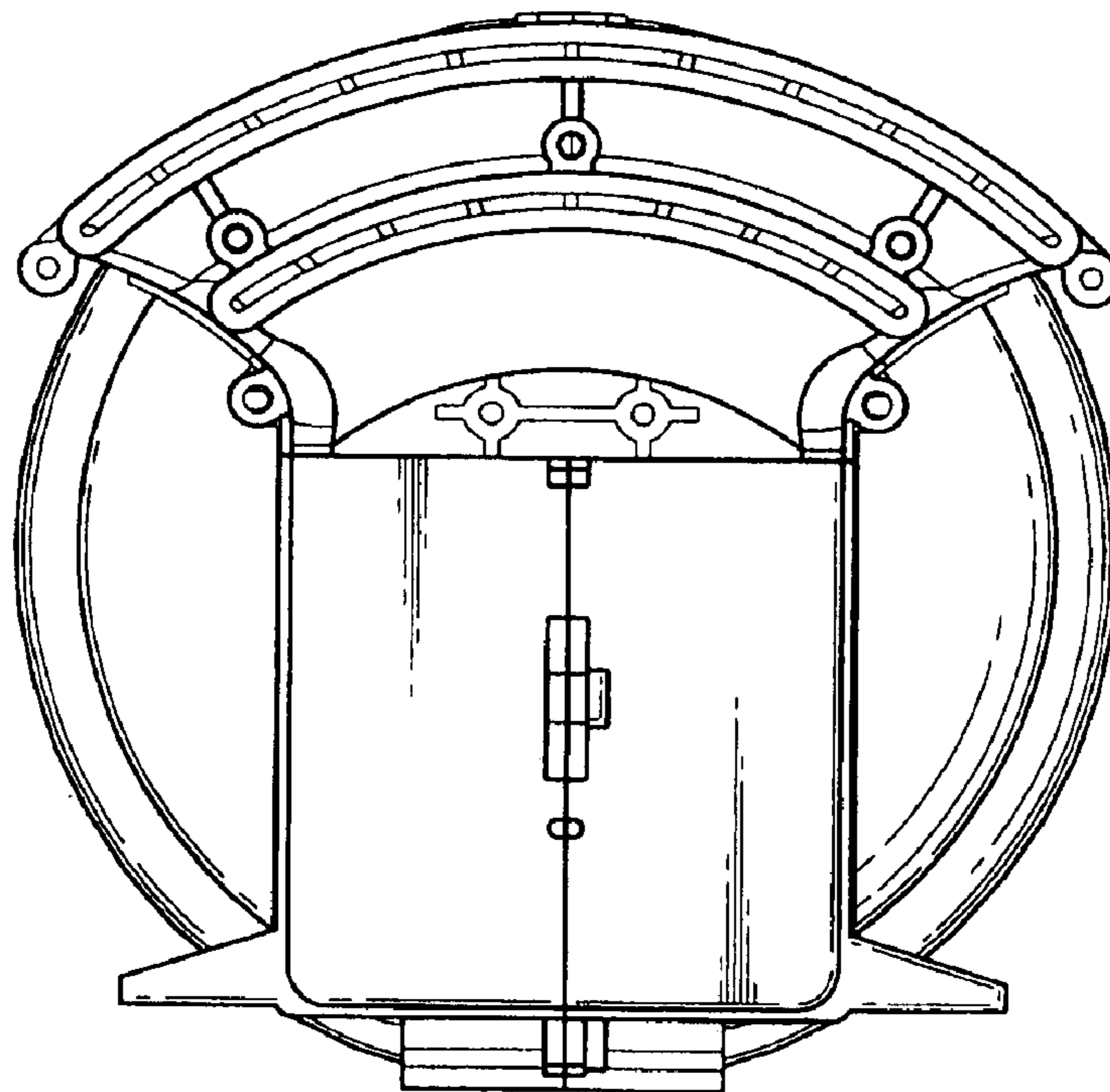


Fig. 5



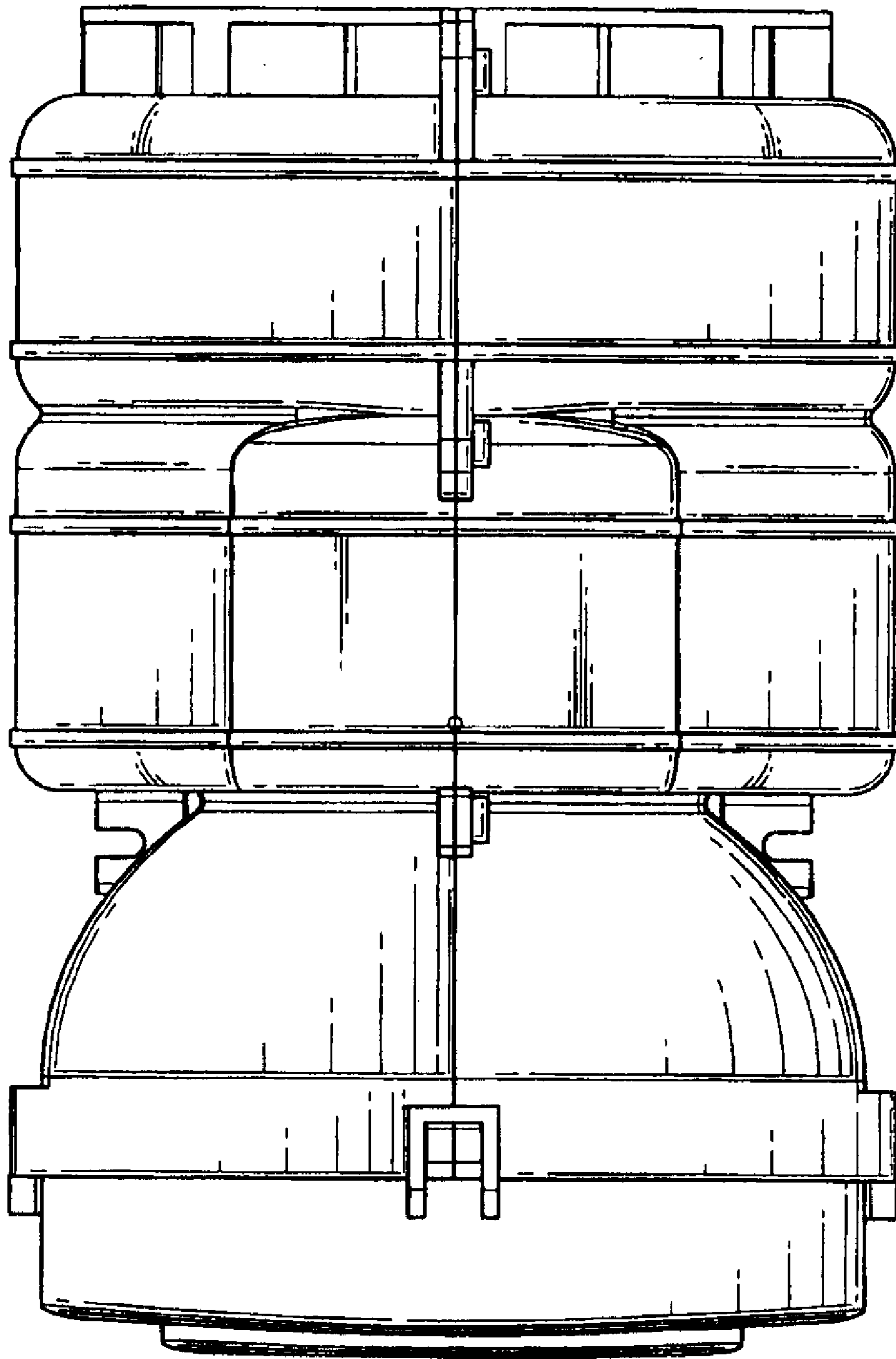


Fig. 4

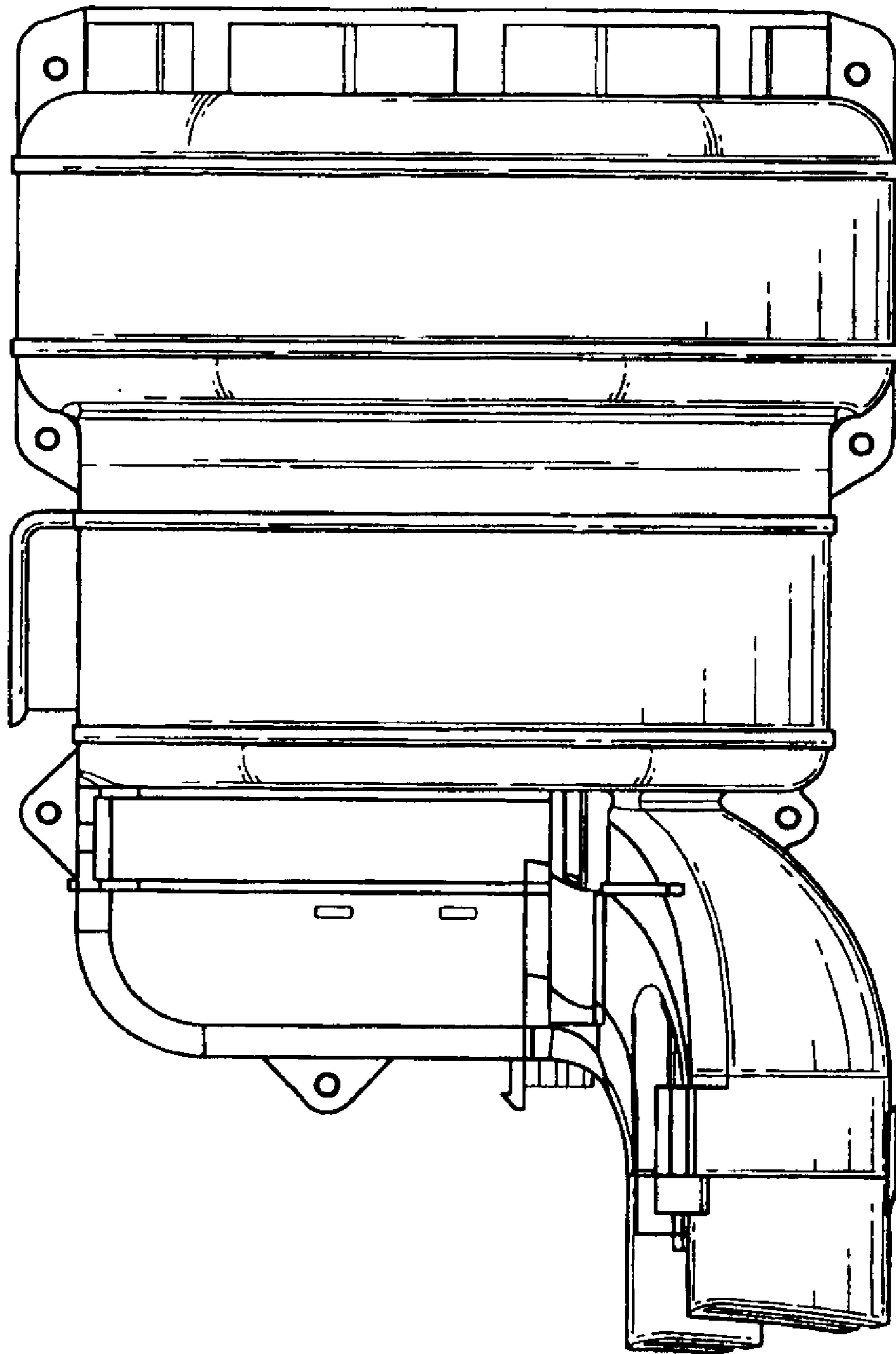


Fig. 6

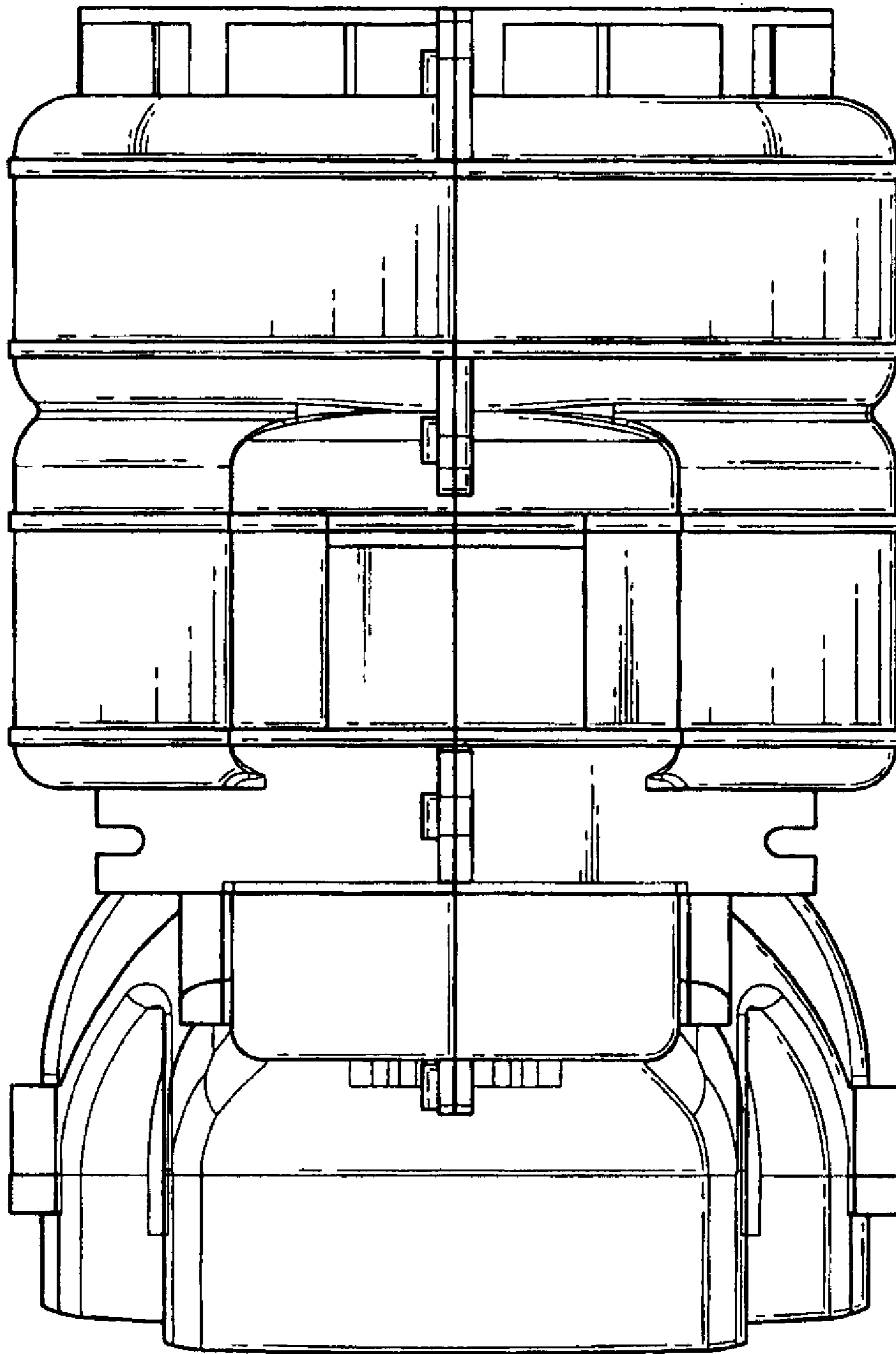


Fig. 7