



US00D536827S

(12) **United States Design Patent**  
**Chan**

(10) **Patent No.:** **US D536,827 S**

(45) **Date of Patent:** **\*\* Feb. 13, 2007**

(54) **FOLDABLE STRAIGHTENER**

(75) Inventor: **Wing-Kin Chan**, Hong Kong (HK)

(73) Assignee: **Dickson Industrial Co., Ltd.**, Kowloon (HK)

(\*\*) Term: **14 Years**

(21) Appl. No.: **29/232,503**

(22) Filed: **Jun. 21, 2005**

(51) **LOC (8) Cl.** ..... **28-03**

(52) **U.S. Cl.** ..... **D28/35**

(58) **Field of Classification Search** ..... 132/223–225,  
132/227–229, 232, 236, 245, 269, 271; 219/222,  
219/225, 226; D28/35

See application file for complete search history.

(56) **References Cited**

**U.S. PATENT DOCUMENTS**

D511,862 S \* 11/2005 Chan ..... D28/35  
D516,747 S \* 3/2006 Chan ..... D28/35

2004/0237990 A1 \* 12/2004 Choi ..... 132/224

\* cited by examiner

*Primary Examiner*—Jennifer Rivard

(74) *Attorney, Agent, or Firm*—Buchanan Ingersoll & Rooney PC

(57) **CLAIM**

The ornamental design for a “foldable straightener”, as shown and described.

**DESCRIPTION**

FIG. 1 is a right side view of a “foldable straightener” showing my design;

FIG. 2 is a left side view thereof;

FIG. 3 is a front view thereof;

FIG. 4 is a rear view thereof;

FIG. 5 is a top view thereof;

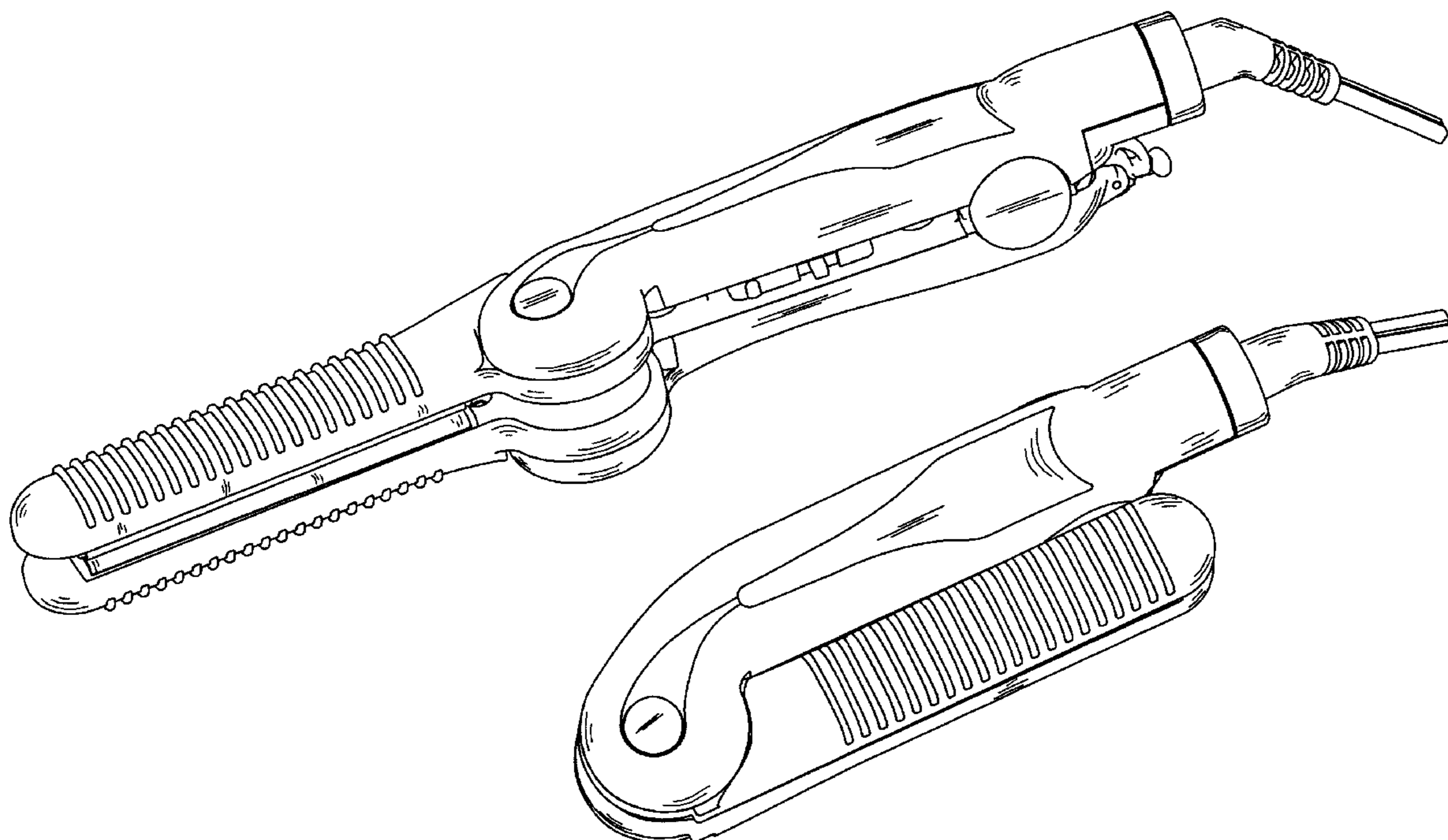
FIG. 6 is a bottom view thereof;

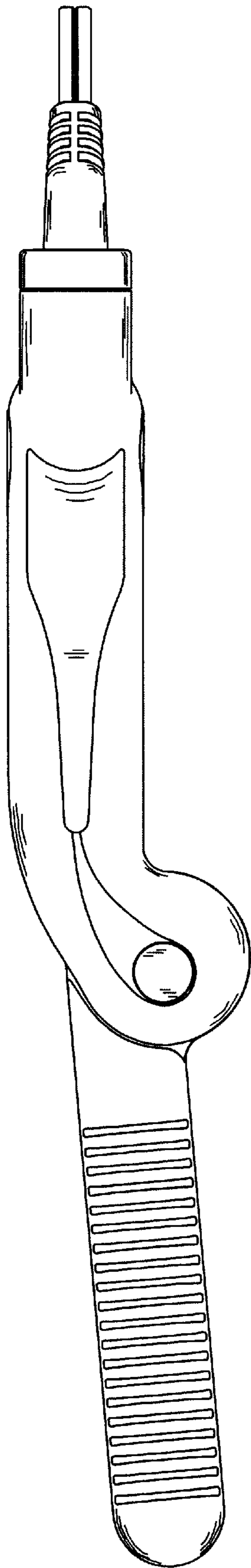
FIG. 7 is a perspective view thereof in an unfolded configuration;

FIG. 8 is a perspective view thereof in an folded configuration; and,

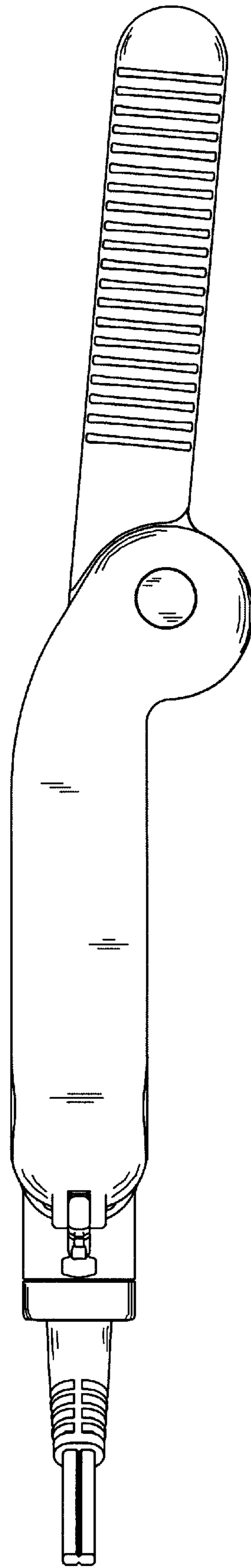
FIG. 9 is a perspective view in an open position.

**1 Claim, 4 Drawing Sheets**

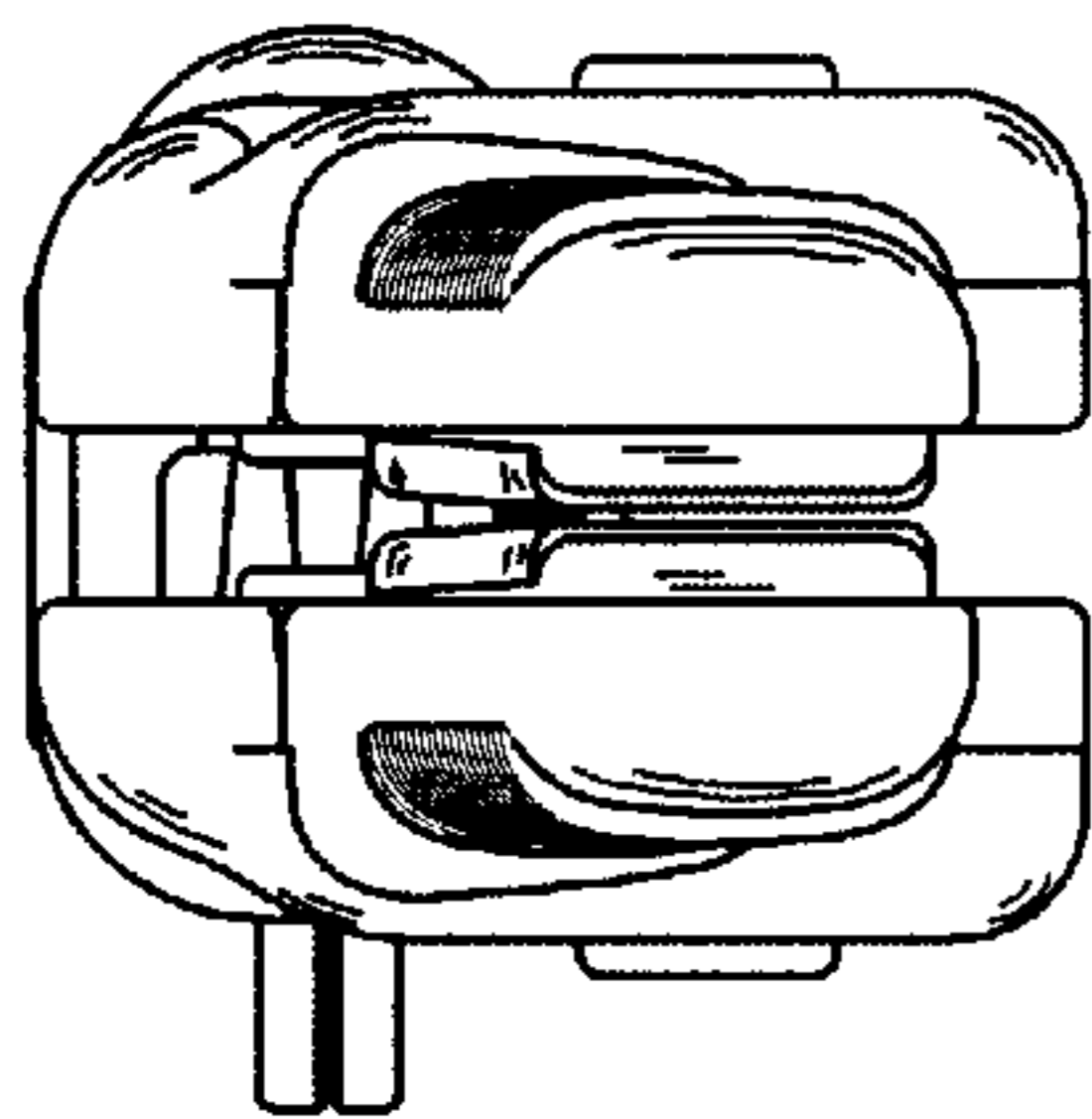




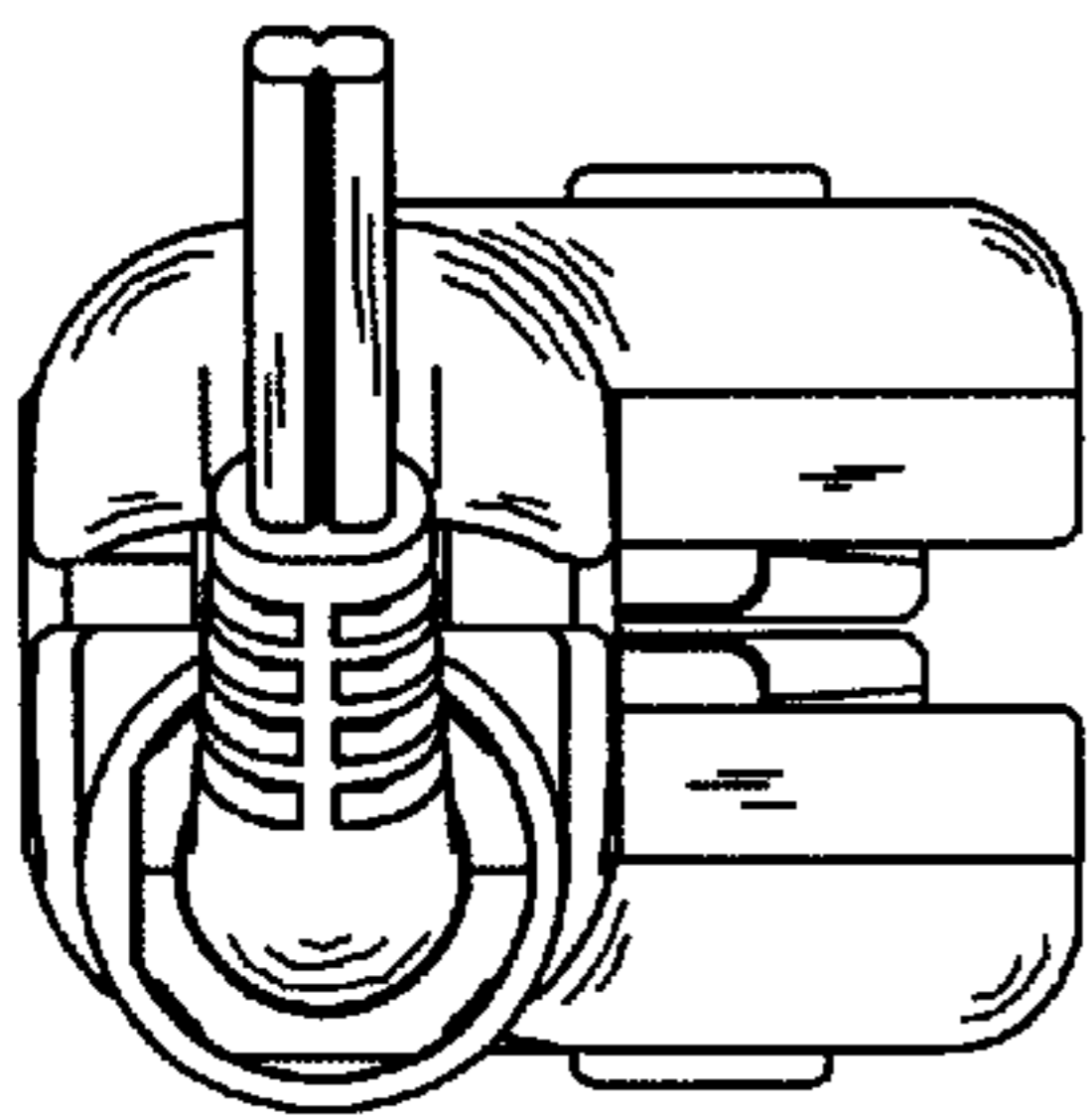
*Fig. 1*



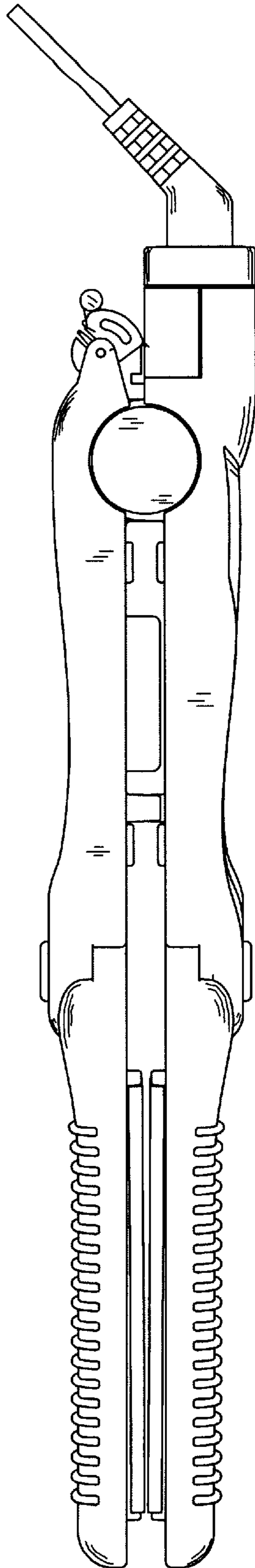
*Fig. 2*



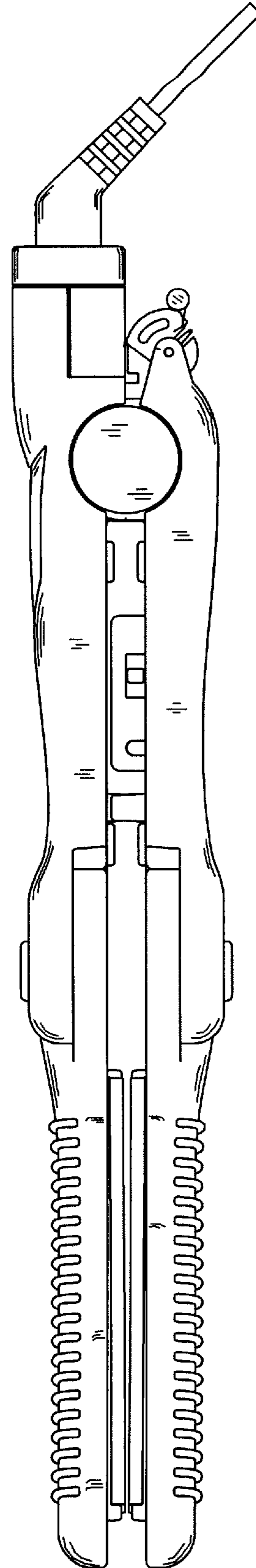
*Fig. 3*



*Fig. 4*



*Fig. 5*



*Fig. 6*

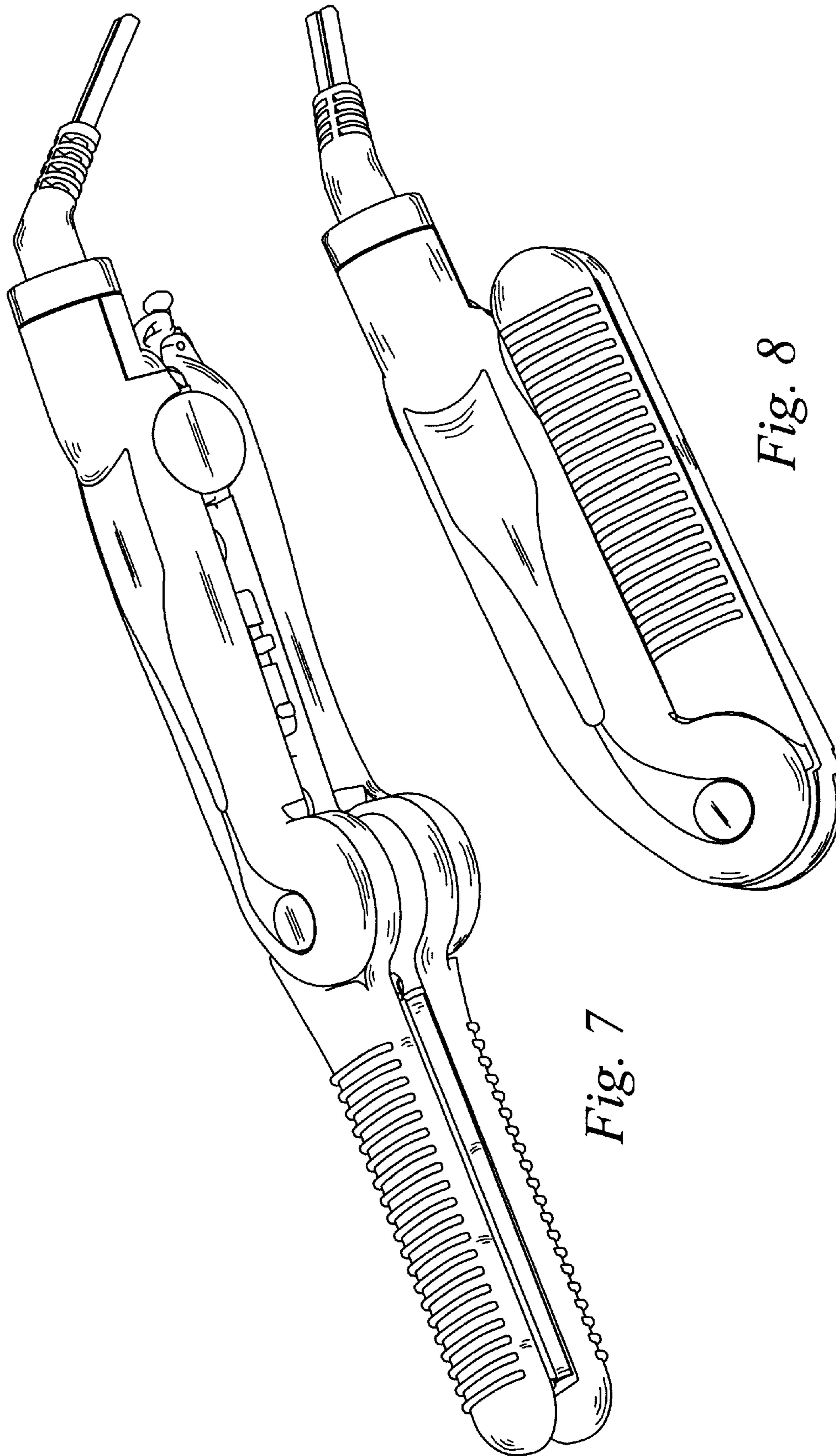
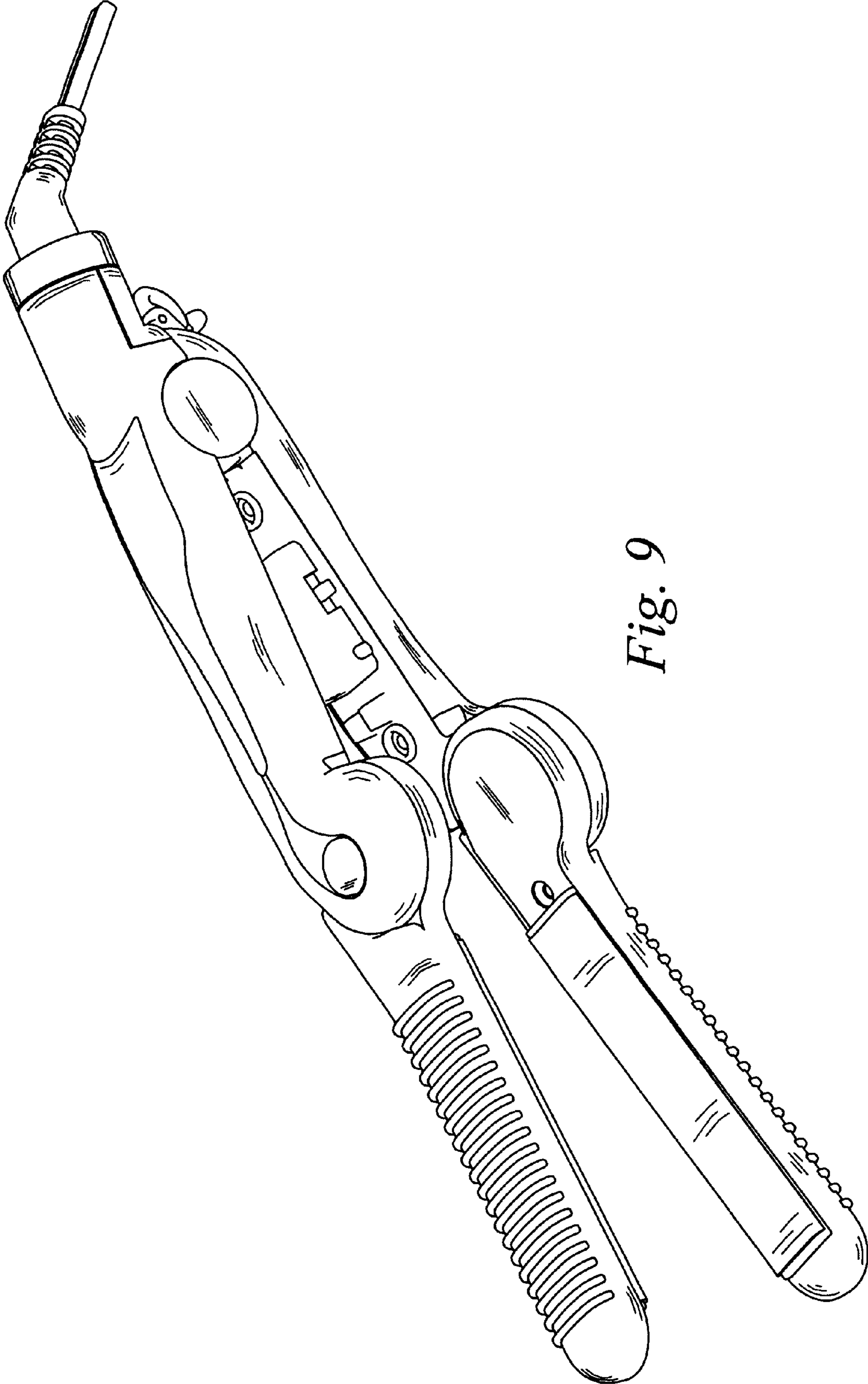


Fig. 7

Fig. 8





*Fig. 9*