



US00D536820S

(12) **United States Design Patent**
Crosby

(10) **Patent No.:** **US D536,820 S**

(45) **Date of Patent:** **** Feb. 13, 2007**

(54) **LIGHTING FIXTURE**

(75) Inventor: **Doyle Crosby**, San Rafael, CA (US)

(73) Assignee: **Boyd Lighting Fixture Co.**, San Francisco, CA (US)

(**) Term: **14 Years**

(21) Appl. No.: **29/205,337**

(22) Filed: **May 13, 2004**

(51) **LOC (8) Cl.** **26-03**

(52) **U.S. Cl.** **D26/84; D26/90**

(58) **Field of Classification Search** D26/72,
D26/74-78, 80-92; 362/215-225, 147, 404-408
See application file for complete search history.

(56) **References Cited**

U.S. PATENT DOCUMENTS

D45,539 S	*	3/1914	Meyers	D26/90
D118,515 S	*	1/1940	Summerour et al.	D26/77
D135,698 S	*	5/1943	Samit	D26/90
D158,687 S	*	5/1950	Raben	D26/77
D240,853 S	*	8/1976	Aronson	D26/77
D399,020 S	*	9/1998	Lo	D26/90
D455,516 S	*	4/2002	Casciani et al.	D26/76
D472,008 S	*	3/2003	Gulassa et al.	D26/90
D500,165 S	*	12/2004	Parres	D26/144
D522,166 S	*	5/2006	Herst et al.	D26/121

OTHER PUBLICATIONS

Copy of web page http://www.art4you.com/inventory/vas_bio-htm showing painting. Copyright 1998.

* cited by examiner

Primary Examiner—Clare E Heflin

(74) *Attorney, Agent, or Firm*—Heslin Rothenberg Farley & Mesiti P.C.

(57) **CLAIM**

The ornamental design for the lighting fixture, as shown and described.

DESCRIPTION

FIG. 1 is a perspective view of a lighting fixture in accordance with the new design;

FIG. 2 is a top view thereof;

FIG. 3 is a front view thereof, a rear view being a mirror image thereof;

FIG. 4 is a side view thereof, an opposing side view being a mirror image thereof;

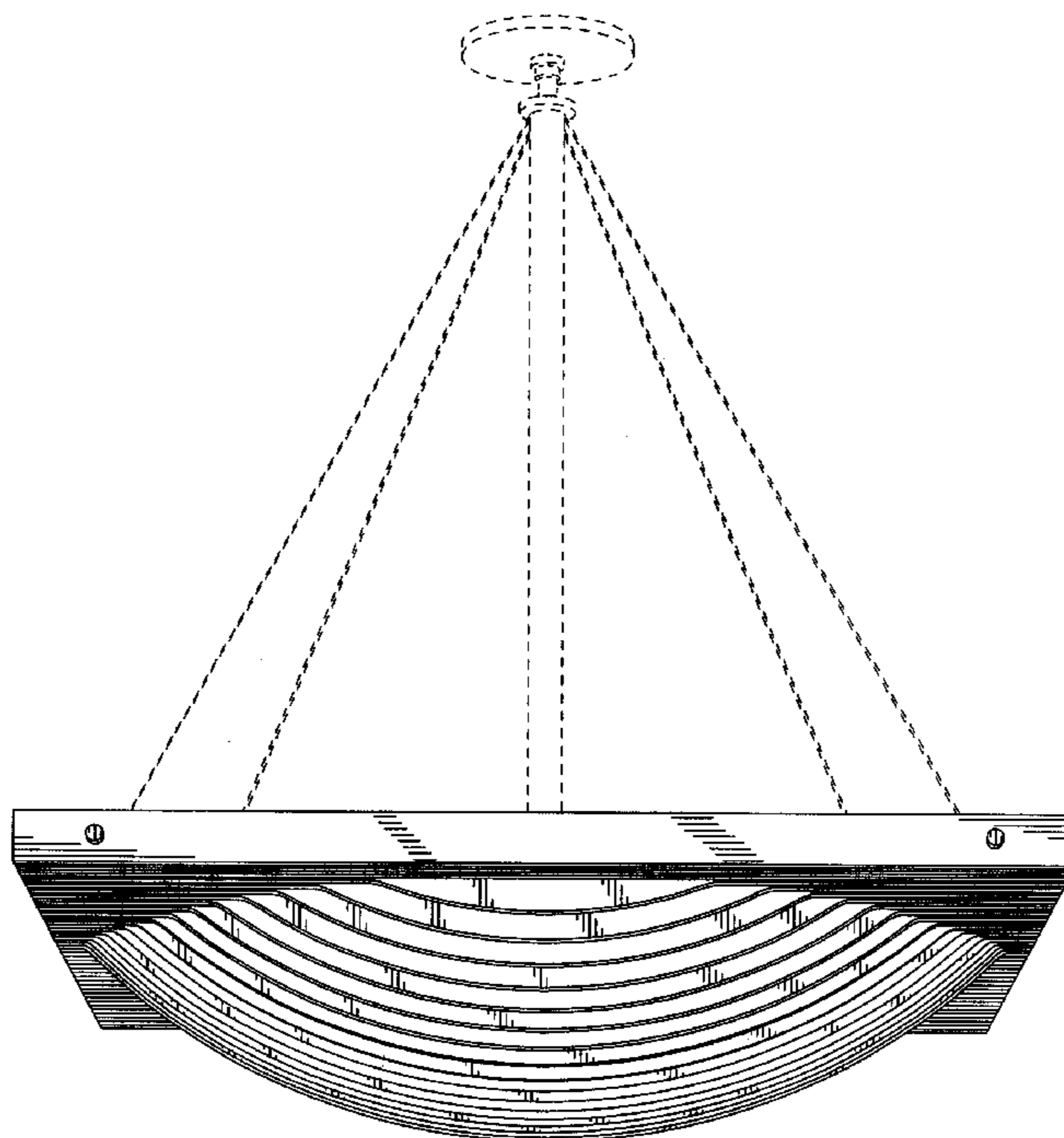
FIG. 5 is a bottom view thereof; and

FIG. 6 is a front view of an alternative embodiment of said new design, portions of which are cut away to illustrate indeterminable width, which is the sole difference between it and FIGS. 1-5; and,

FIG. 7 is a side view of an alternative embodiment of said new design, portions of which are cut away to illustrate indeterminable width, which is the sole difference between it and FIGS. 1-5.

The broken lines in the figures are for illustrative purposes only and form no part of the claimed invention.

1 Claim, 7 Drawing Sheets



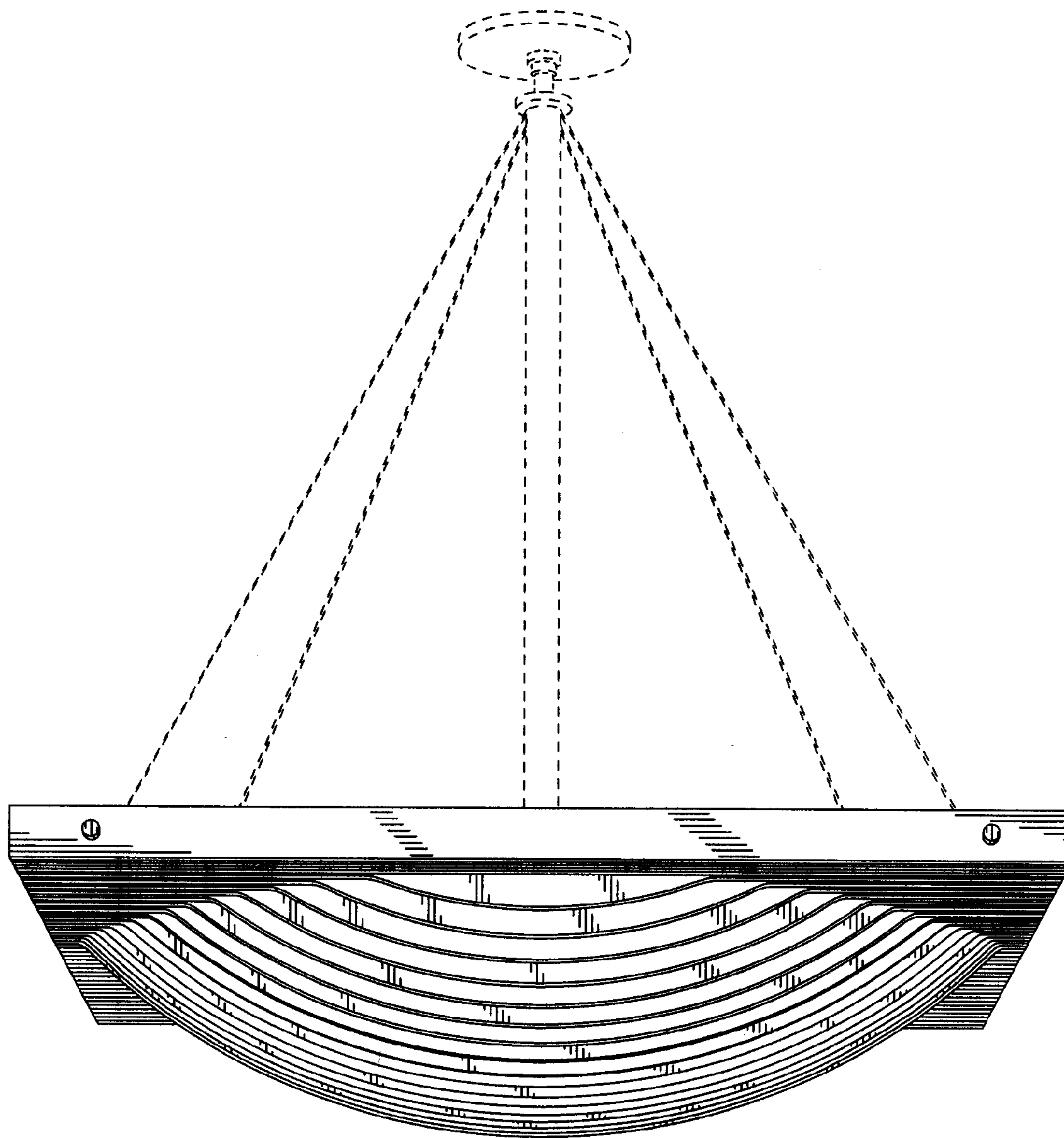


FIG. 1

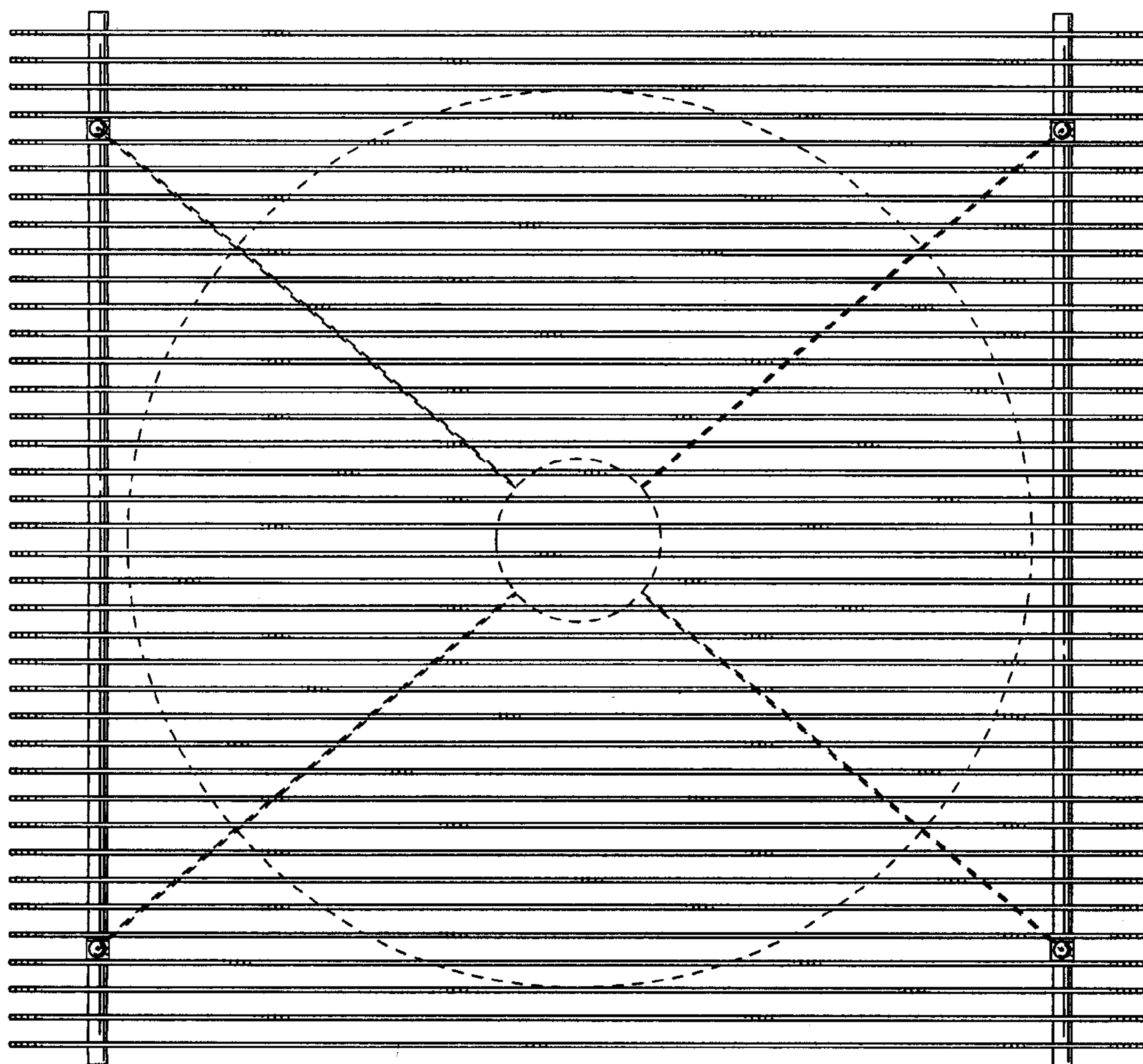


FIG. 2

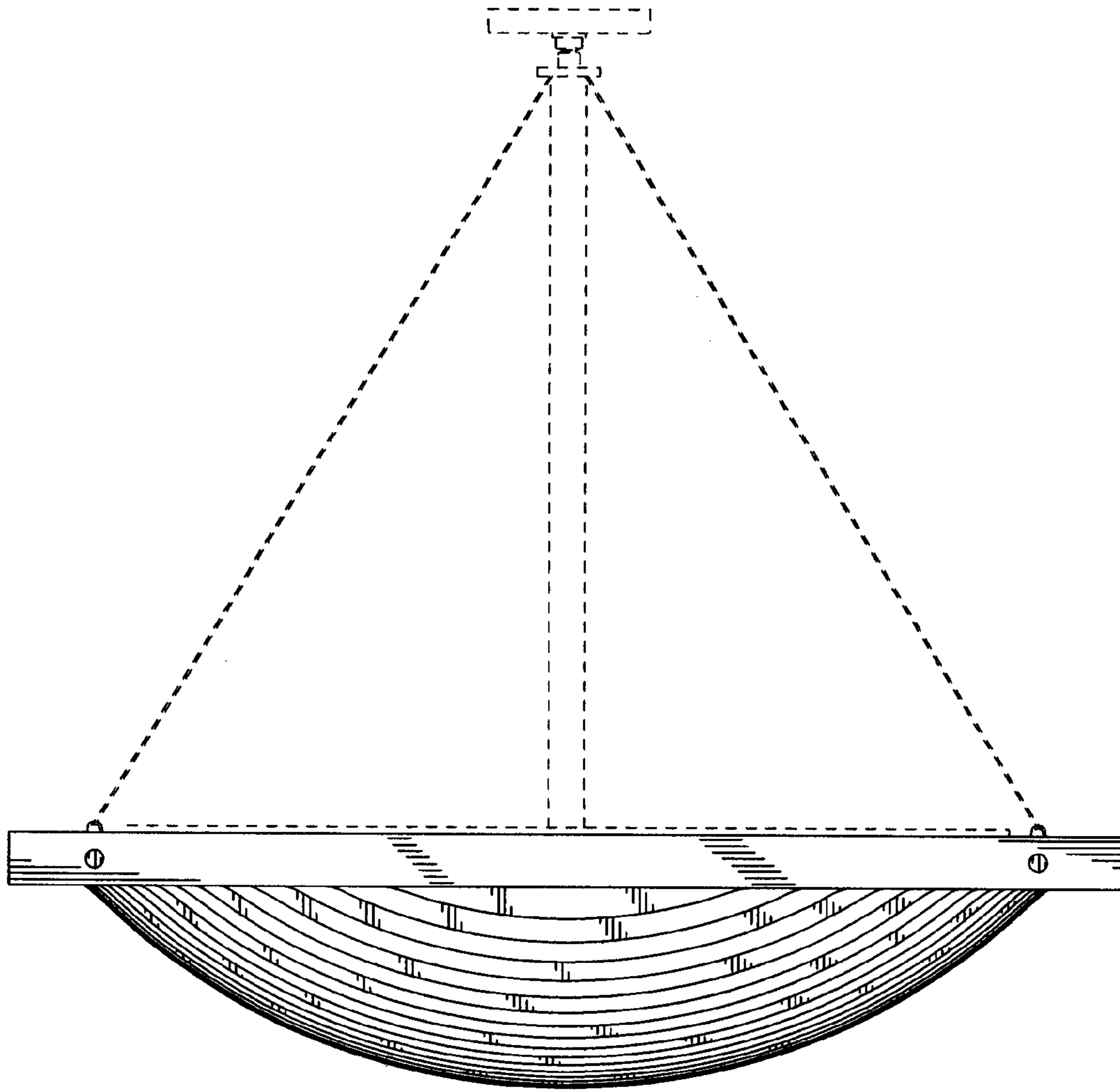


FIG. 3

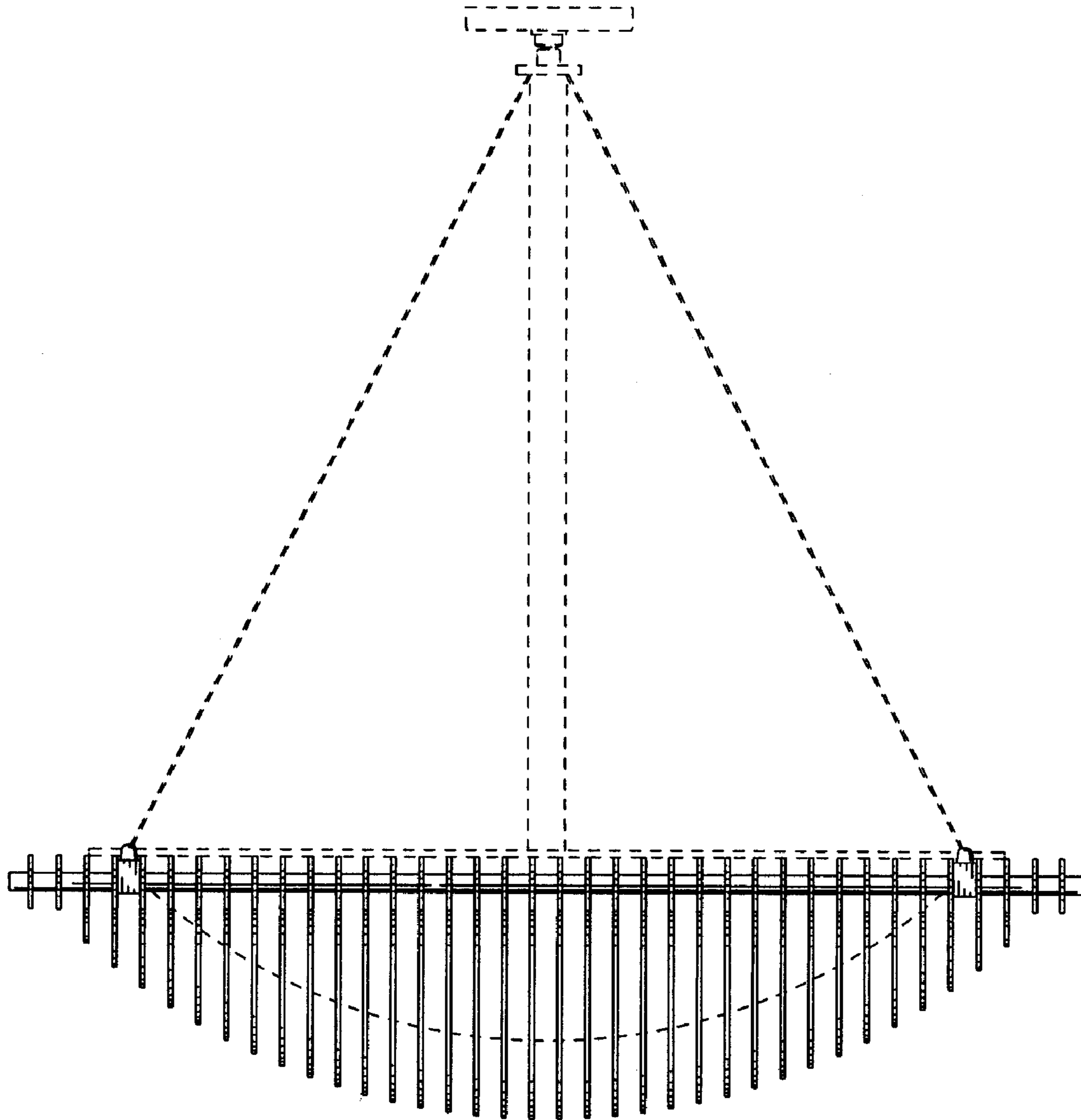


FIG. 4

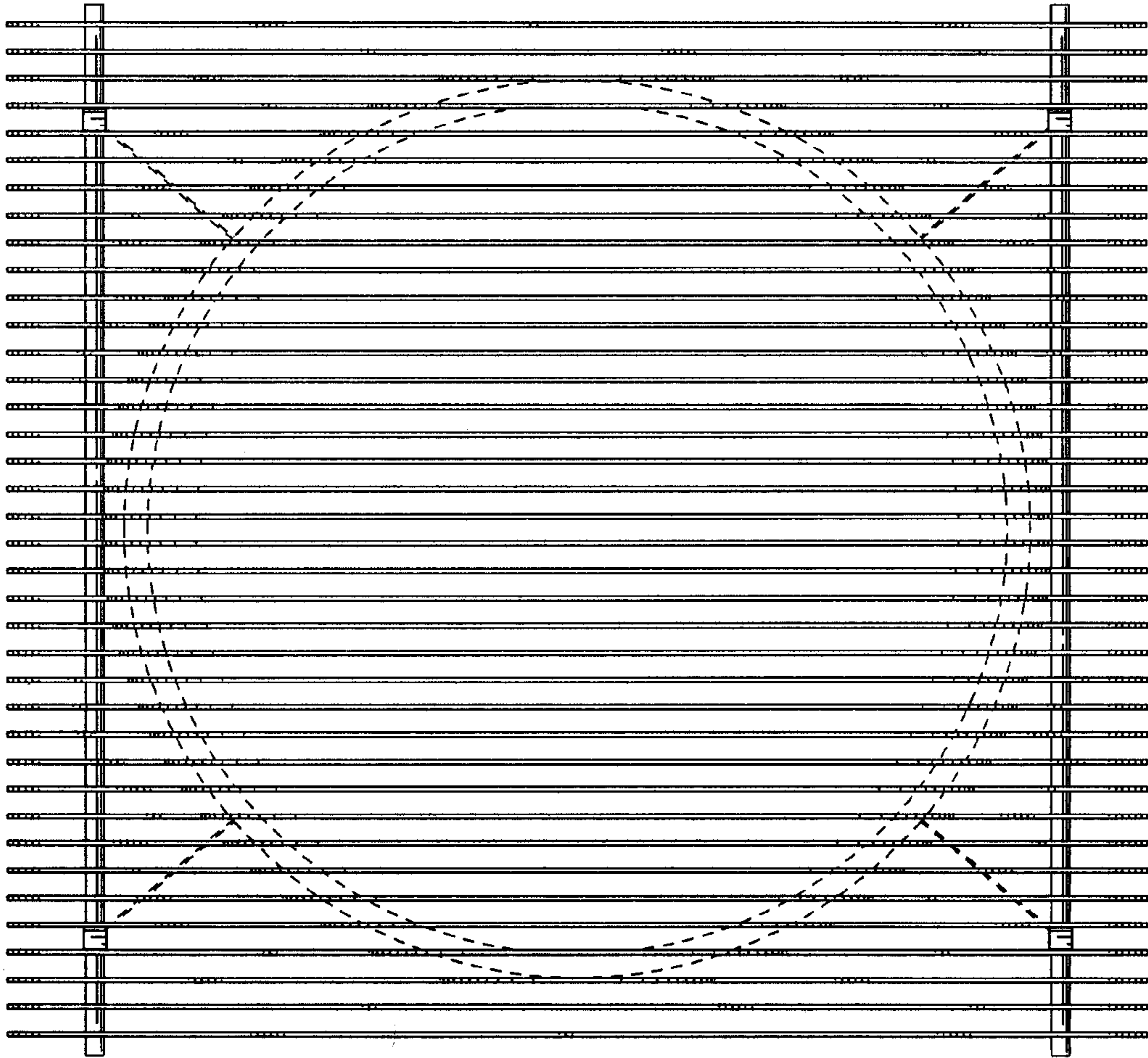


FIG. 5

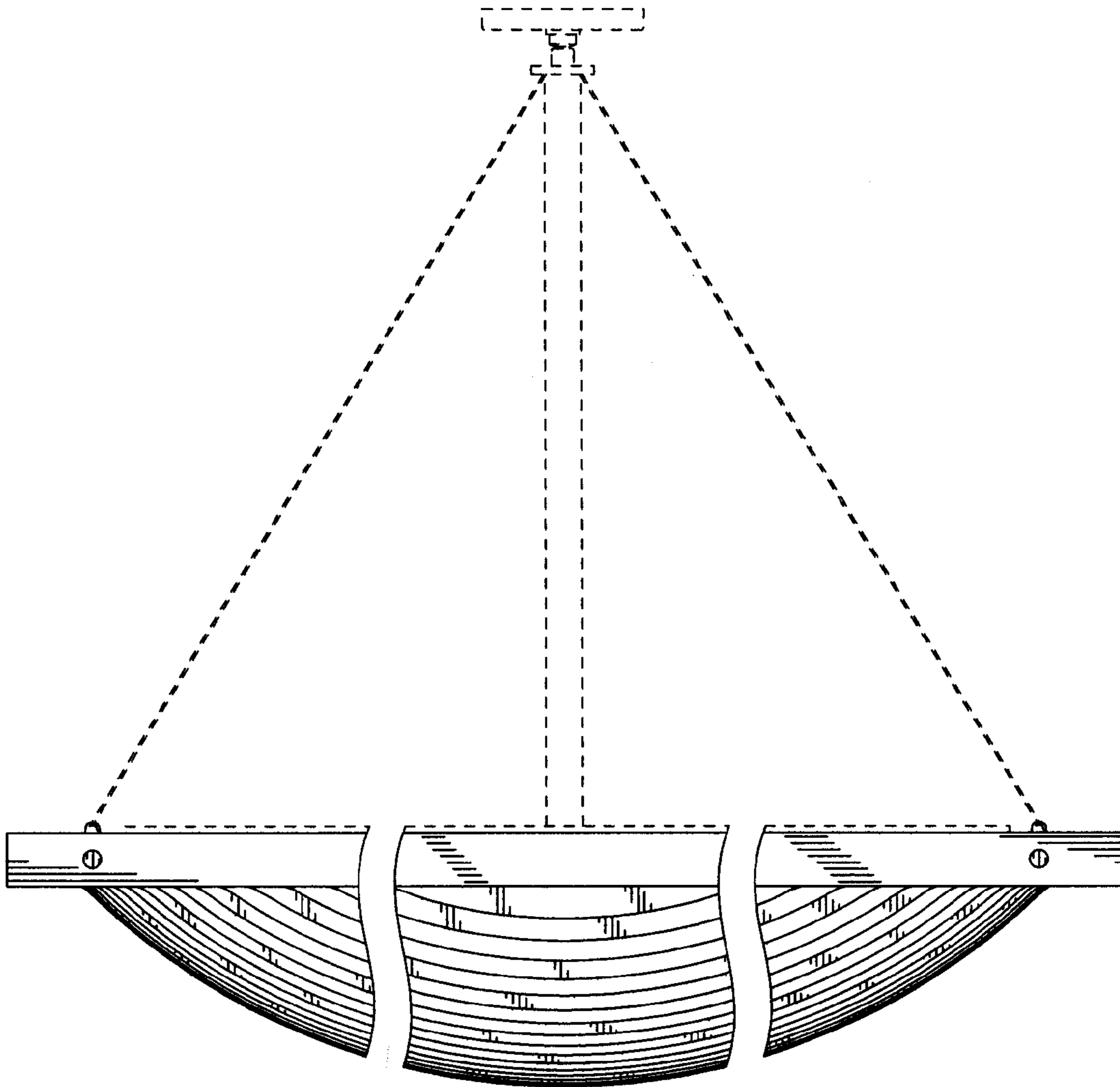


FIG. 6

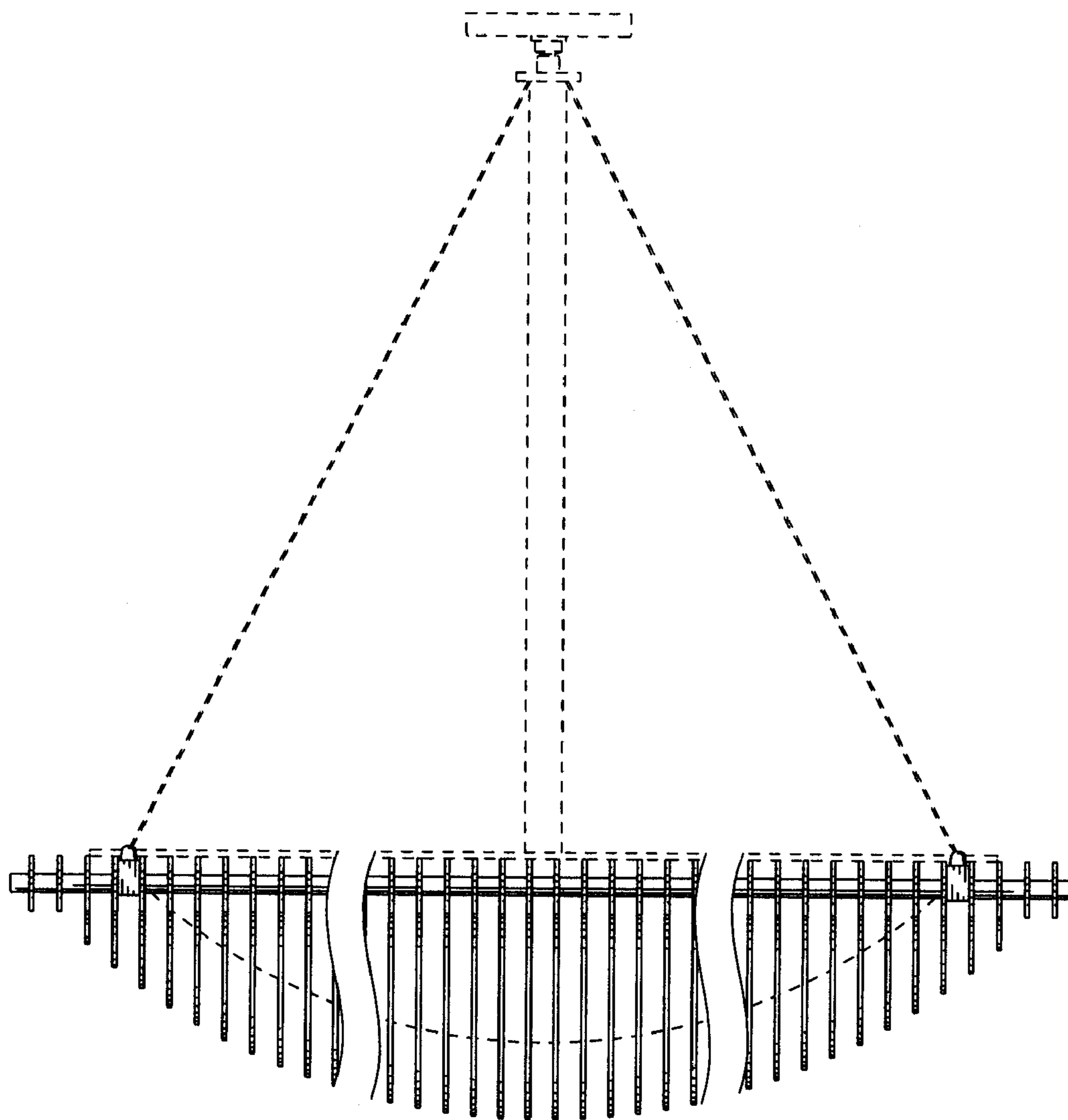


FIG. 7