



US00D536819S

(12) **United States Design Patent**
Krahe, II

(10) **Patent No.:** **US D536,819 S**

(45) **Date of Patent:** **** Feb. 13, 2007**

(54) **LUMINAIRE**

(75) **Inventor:** **Francis J Krahe, II**, Corona Del Mar,
CA (US)

(73) **Assignee:** **Genlyte Thomas Group LLC**,
Louisville, KY (US)

(**) **Term:** **14 Years**

(21) **Appl. No.:** **29/206,837**

(22) **Filed:** **Jun. 3, 2004**

(51) **LOC (8) Cl.** **26-05**

(52) **U.S. Cl.** **D26/75; D26/76**

(58) **Field of Classification Search** D26/74-78,
D26/72, 80, 85; 362/217-225
See application file for complete search history.

(56) **References Cited**

U.S. PATENT DOCUMENTS

D128,786 S	*	8/1941	McCann	D26/90
D150,830 S	*	9/1948	Duepner	D26/77
D270,377 S	*	8/1983	Maguire	D26/75
4,587,600 A	*	5/1986	Morten	362/219

D291,928 S	*	9/1987	Morten	D26/76
D295,086 S	*	4/1988	Morten	D26/76
D358,899 S	*	5/1995	Crouch	D26/75

* cited by examiner

Primary Examiner—Clare E Heflin

(74) *Attorney, Agent, or Firm*—John F. Salazar; Middleton
Reutlinger

(57) **CLAIM**

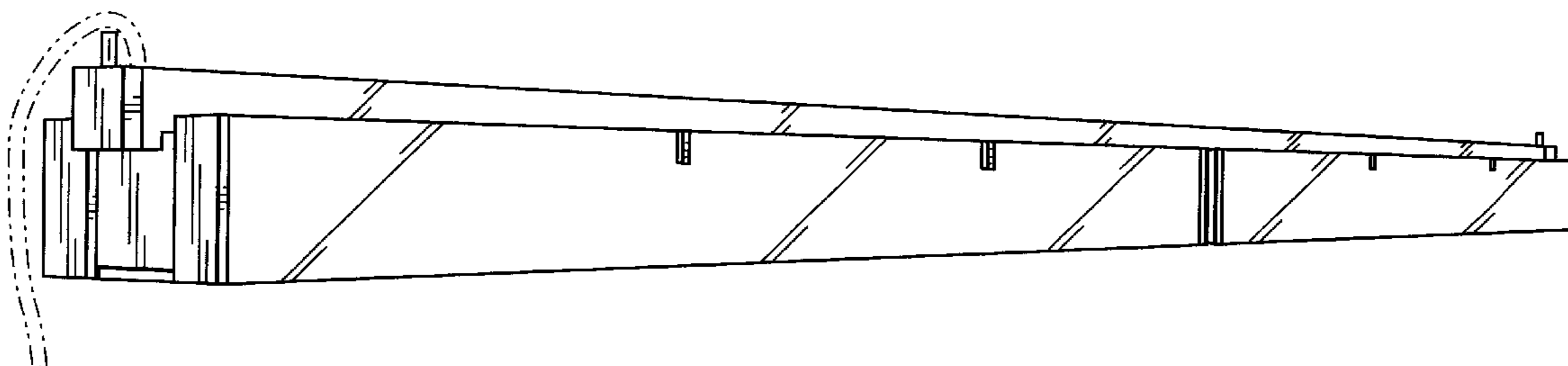
The ornamental design for a luminaire, as shown and
described.

DESCRIPTION

FIG. 1 is a perspective side view of the design for the
luminaire of the present invention;
FIG. 2 is a side elevational view thereof;
FIG. 3 is a top plan view thereof;
FIG. 4 is a bottom plan view thereof; and,
FIG. 5 is an end view thereof, the opposite end view being
identical.

The broken lines shown on the drawings are for illustrative
purposes only and form no part of the claimed design.

1 Claim, 4 Drawing Sheets



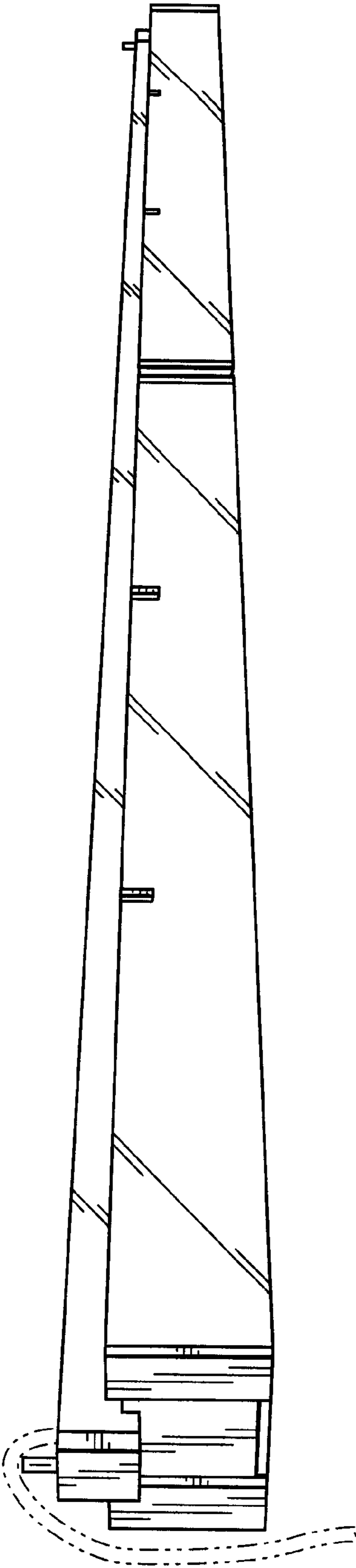


FIG. 1

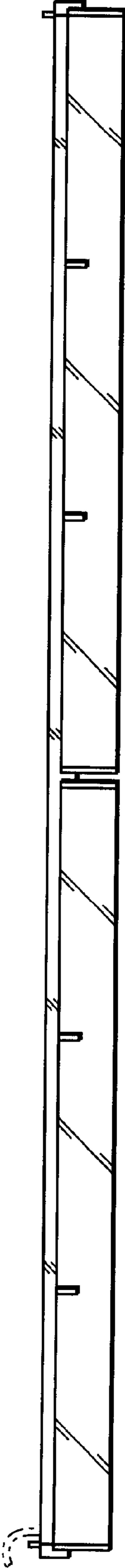


FIG. 2

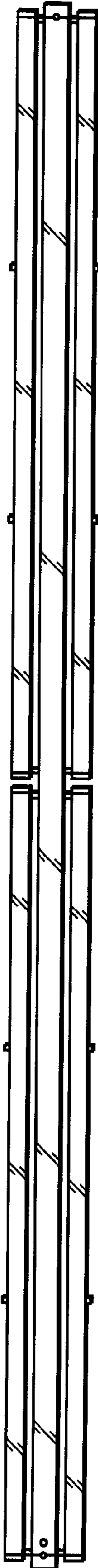


FIG. 3

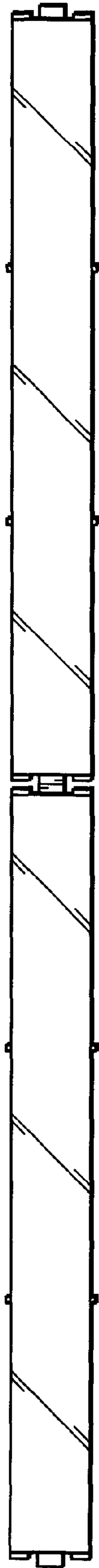


FIG. 4

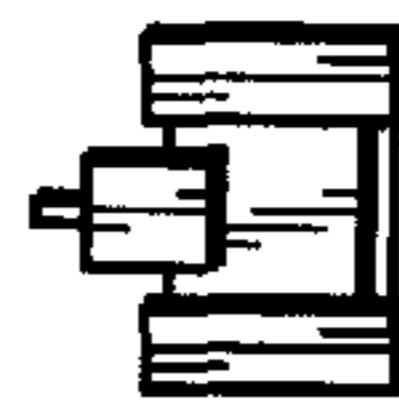


FIG. 5