



US00D536818S

(12) **United States Design Patent**  
**Sooferian**

(10) **Patent No.:** **US D536,818 S**

(45) **Date of Patent:** **\*\* Feb. 13, 2007**

(54) **SOLAR GARDEN LIGHT**

D487,526 S \* 3/2004 Hsu ..... D26/67  
D500,158 S \* 12/2004 Chen ..... D26/67

(76) Inventor: **Danny H. Sooferian**, 425-I Constitution Ave., Camarillo, CA (US) 93012

**OTHER PUBLICATIONS**

Solar Garden Lamp from Ningbo Hangshun Electrical Co., Ltd.. Found online at hangshun.en.alibaba.com on Aug. 25, 2005.\*

(\*\*) Term: **14 Years**

\* cited by examiner

(21) Appl. No.: **29/224,420**

(22) Filed: **Mar. 1, 2005**

*Primary Examiner*—Clare E Heflin

(51) **LOC (8) Cl.** ..... **26-05**

(74) *Attorney, Agent, or Firm*—Colin P. Abrahams

(52) **U.S. Cl.** ..... **D26/68; D26/92**

(58) **Field of Classification Search** ..... D26/67-71,  
D26/85; 362/153, 153.1, 183-185, 362, 363,  
362/431, 805

(57) **CLAIM**

See application file for complete search history.

The ornamental design for a solar garden light, as shown.

**DESCRIPTION**

(56) **References Cited**

FIG. 1 is a left side view of the solar garden light showing my new design;

**U.S. PATENT DOCUMENTS**

FIG. 2 is a right side view thereof;

D42,688 S	*	7/1912	Grelle	.....	D26/68
D284,311 S	*	6/1986	Patel	.....	D26/67
D423,131 S	*	4/2000	Giese et al.	.....	D26/68
D423,708 S	*	4/2000	Giese et al.	.....	D26/68
D456,547 S	*	4/2002	Leen	.....	D26/67
D456,936 S	*	5/2002	Hsu	.....	D26/87

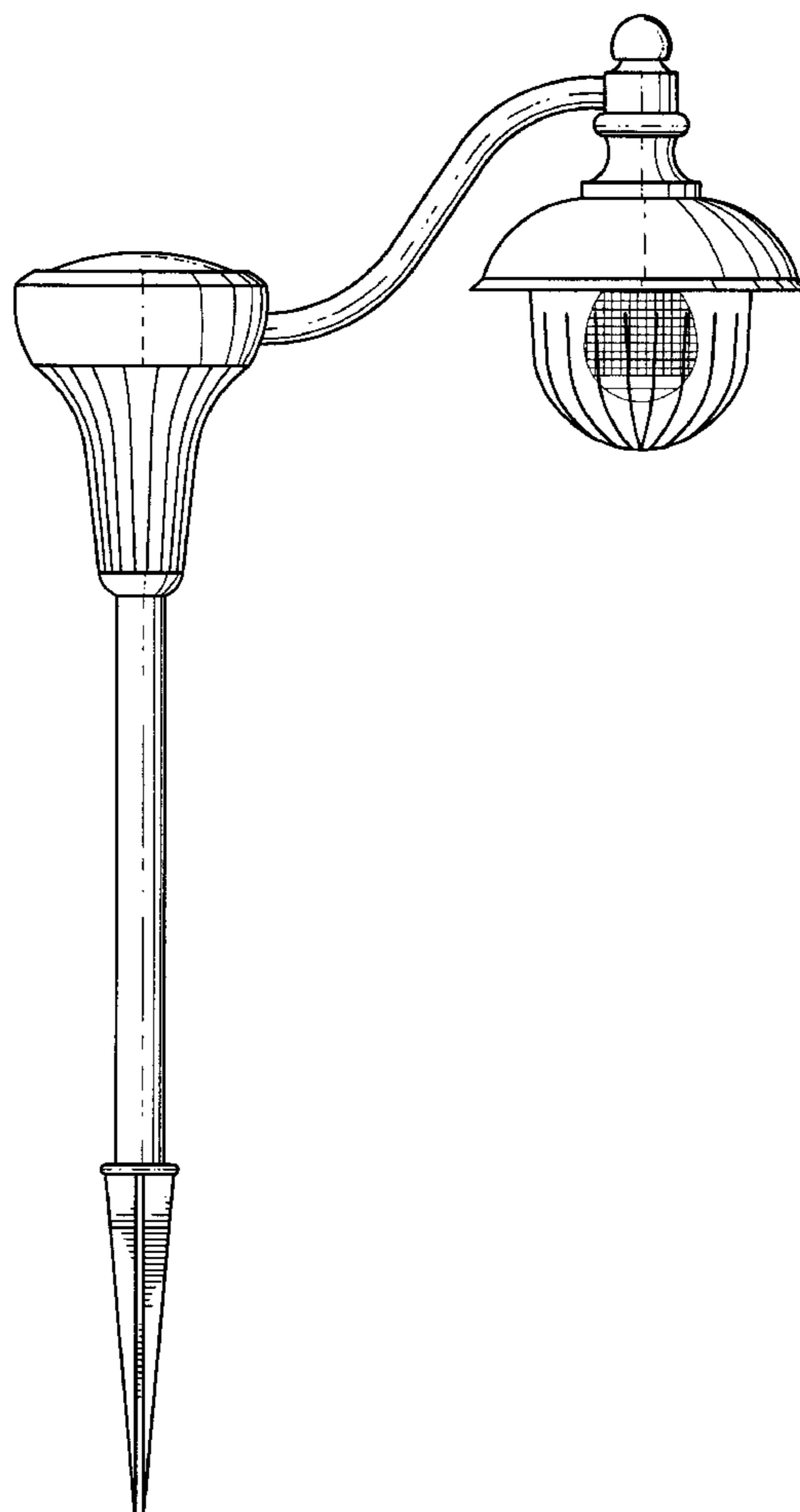
FIG. 3 is a front view thereof;

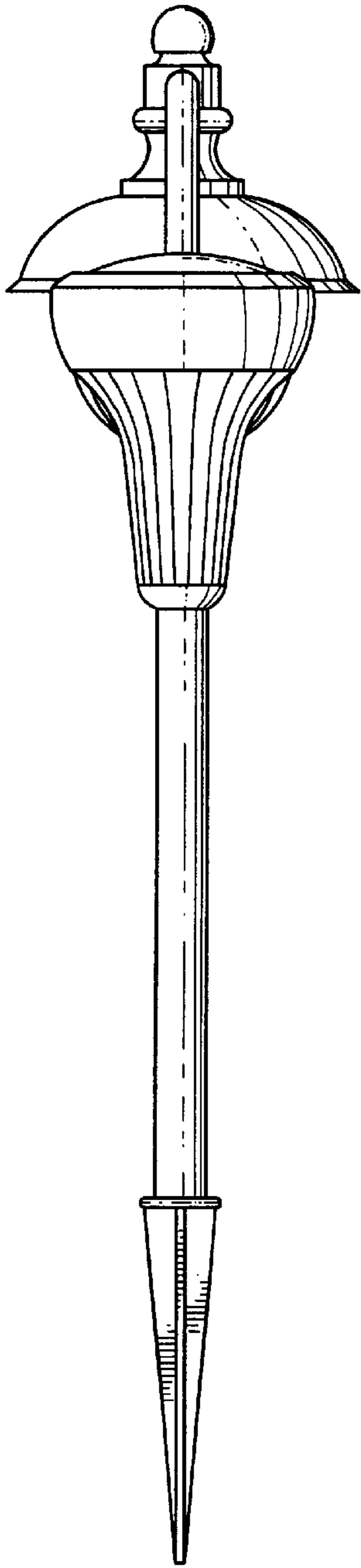
FIG. 4 is a back view thereof;

FIG. 5 is a top view thereof; and,

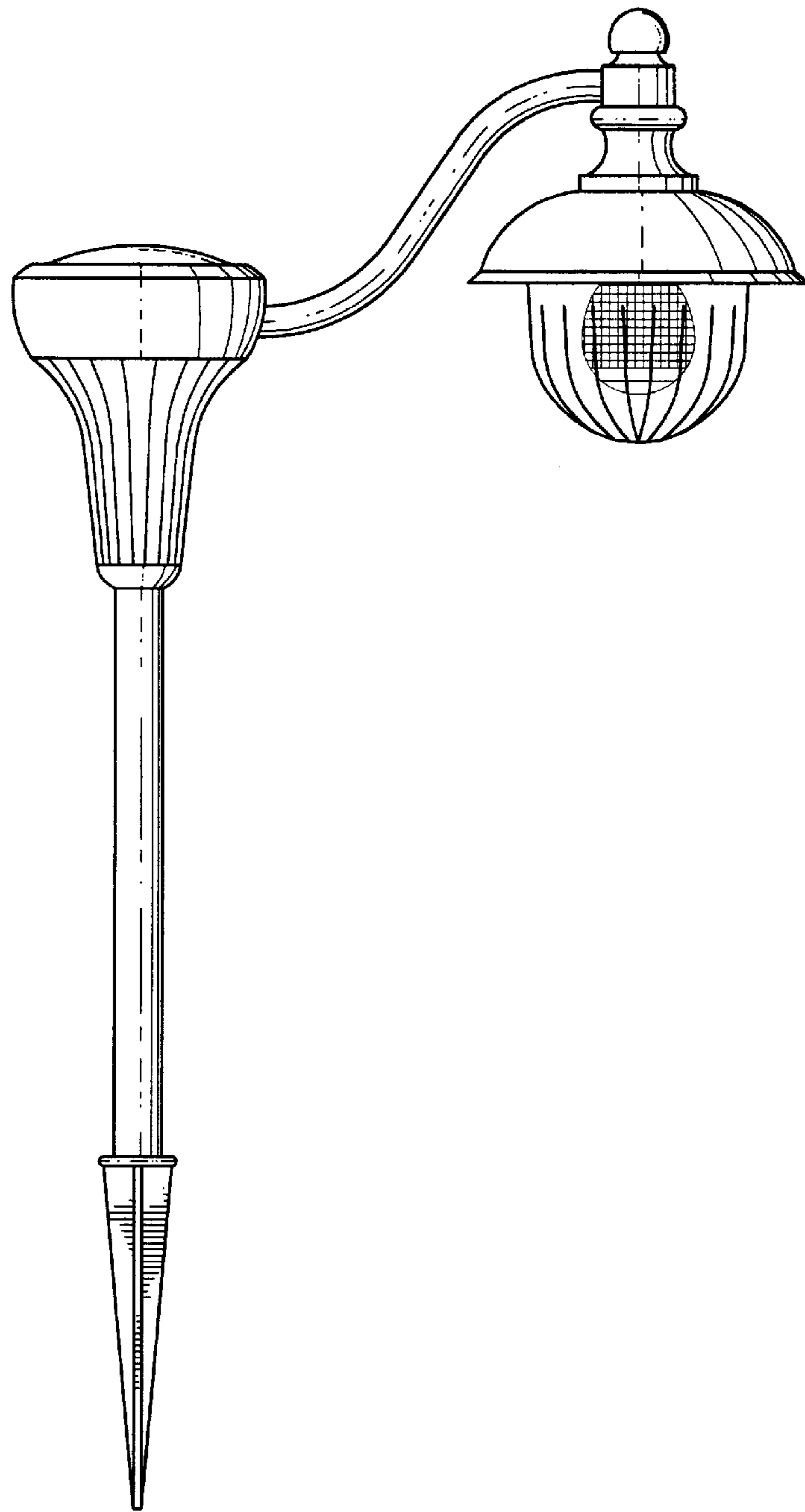
FIG. 6 is a bottom view thereof.

**1 Claim, 3 Drawing Sheets**





*FIG. 1*



*FIG. 3*

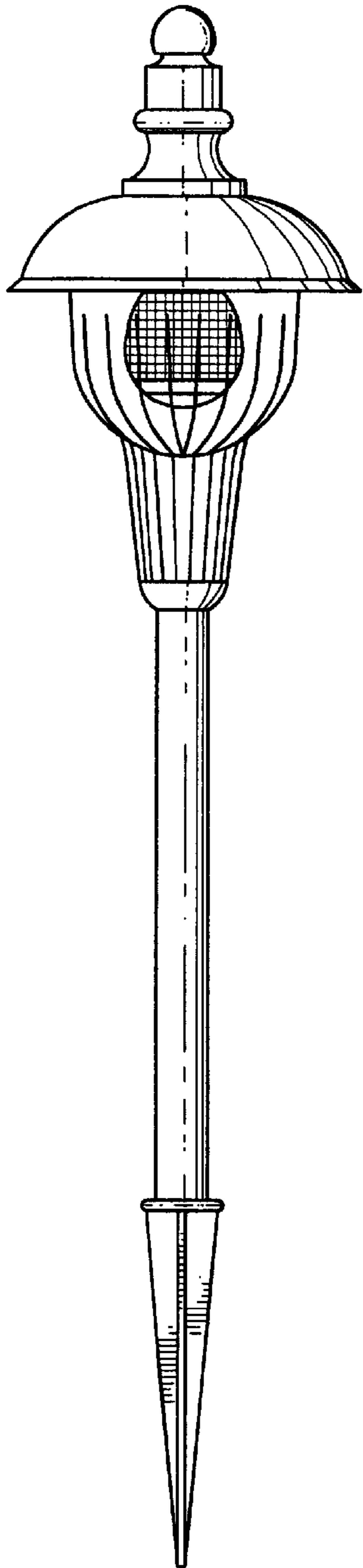


FIG. 2

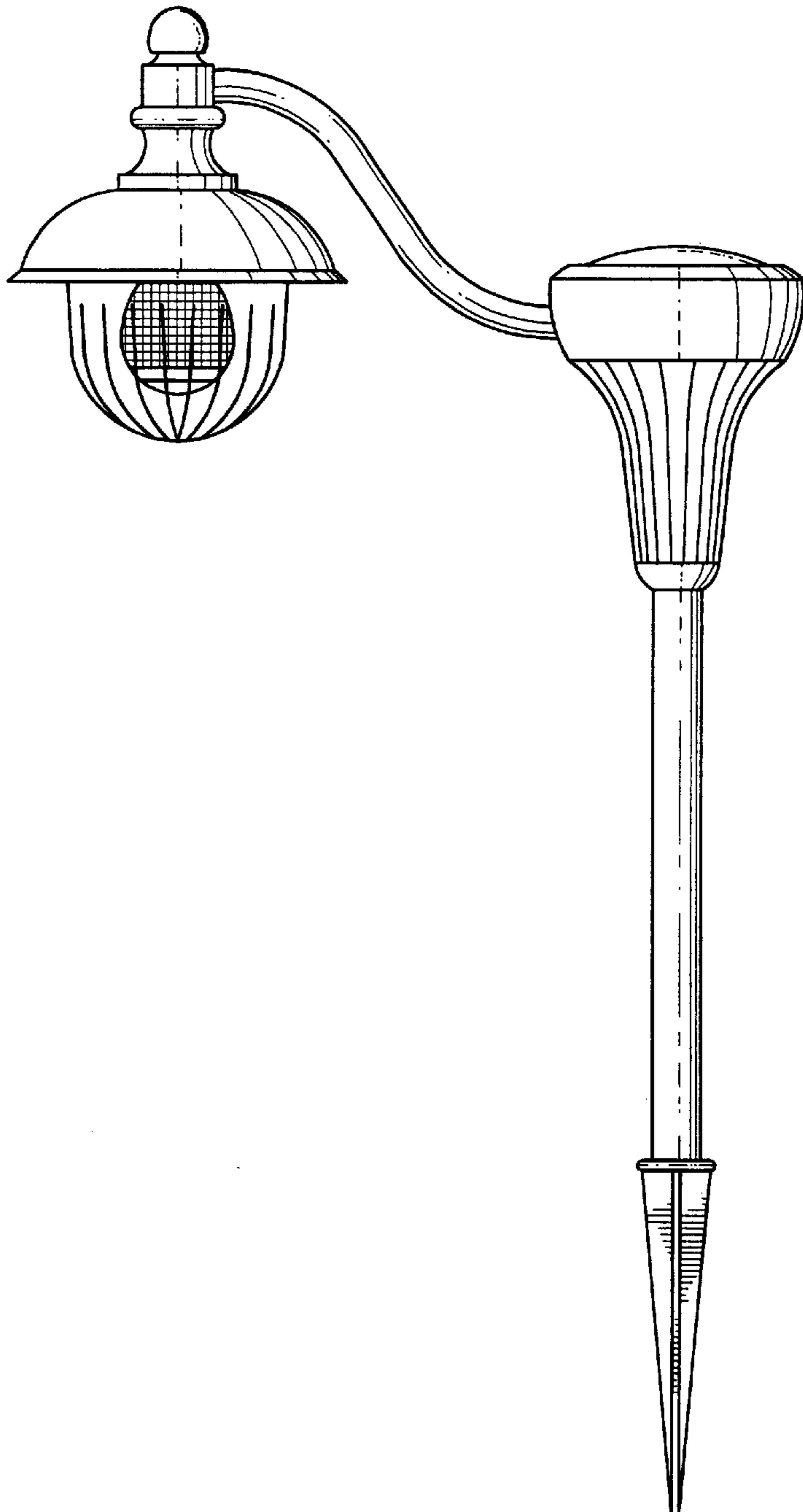
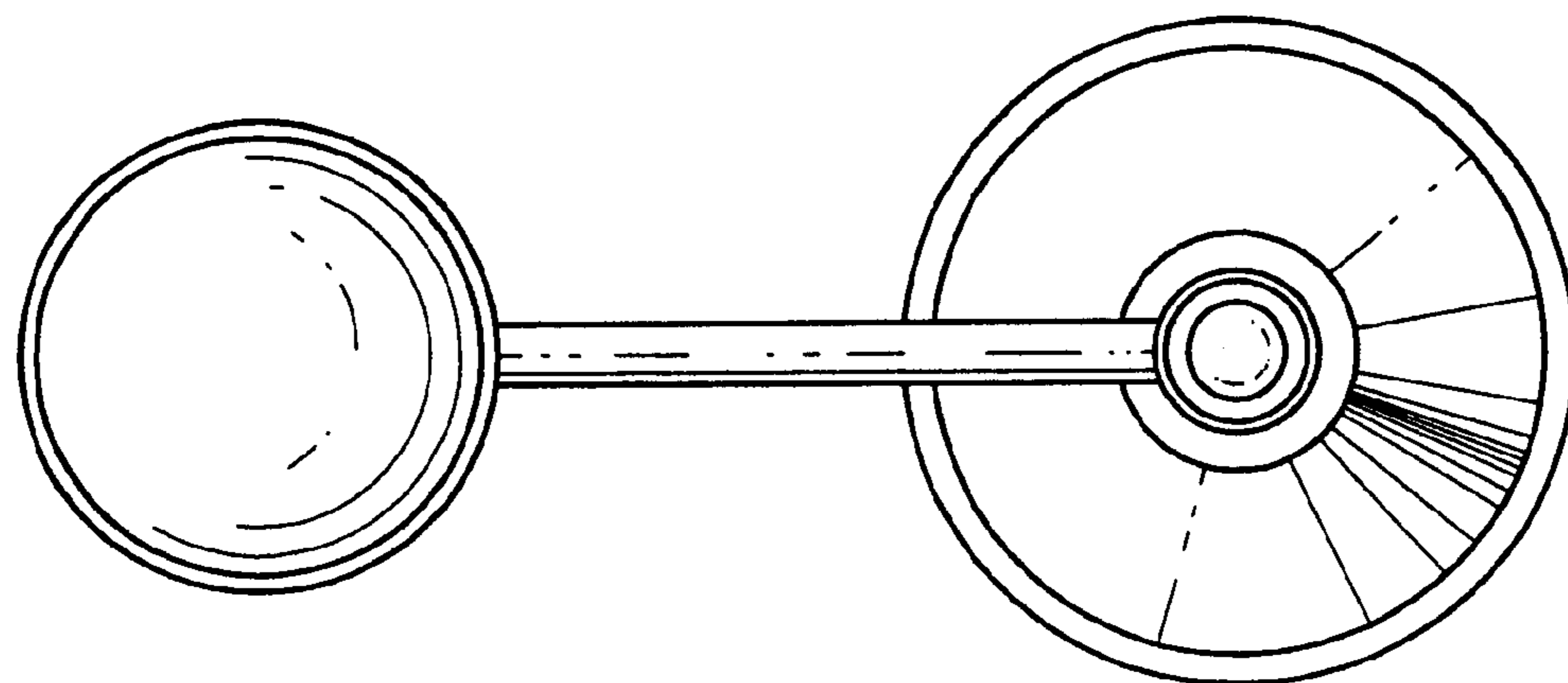
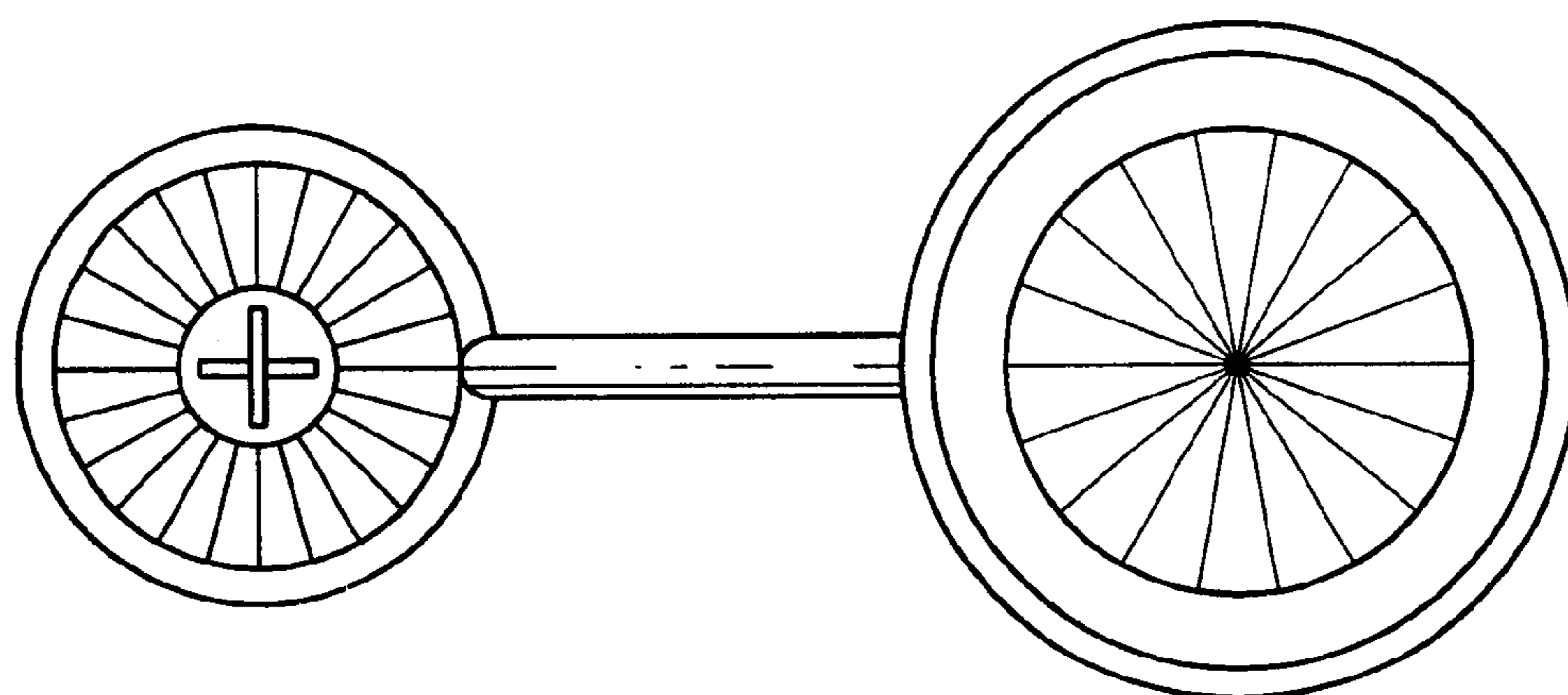


FIG. 4



*FIG. 5*



*FIG. 6*