



US00D536813S

(12) **United States Design Patent**
Yuen

(10) **Patent No.:** **US D536,813 S**

(45) **Date of Patent:** **** Feb. 13, 2007**

(54) **HAND CRANK POWERED LED FLASHLIGHT**

(76) Inventor: **Se Kit Yuen**, 6/F, Yau Lee Centre, 45 Hoi Yuen Road, Kwun Tong, Kowloon, Hong Kong (HK)

(**) Term: **14 Years**

(21) Appl. No.: **29/245,965**

(22) Filed: **Dec. 30, 2005**

(51) **LOC (8) Cl.** **26-02**

(52) **U.S. Cl.** **D26/38**

(58) **Field of Classification Search** D26/37-50;
362/157, 158, 171-174, 183-208
See application file for complete search history.

(56) **References Cited**

U.S. PATENT DOCUMENTS

D472,335 S	*	3/2003	Chan	D26/38
D504,737 S	*	5/2005	Osiecki et al.	D26/37
D520,660 S	*	5/2006	Yuen	D26/38

* cited by examiner

Primary Examiner—Marcus A. Jackson

(74) *Attorney, Agent, or Firm*—Akerman Senterfitt

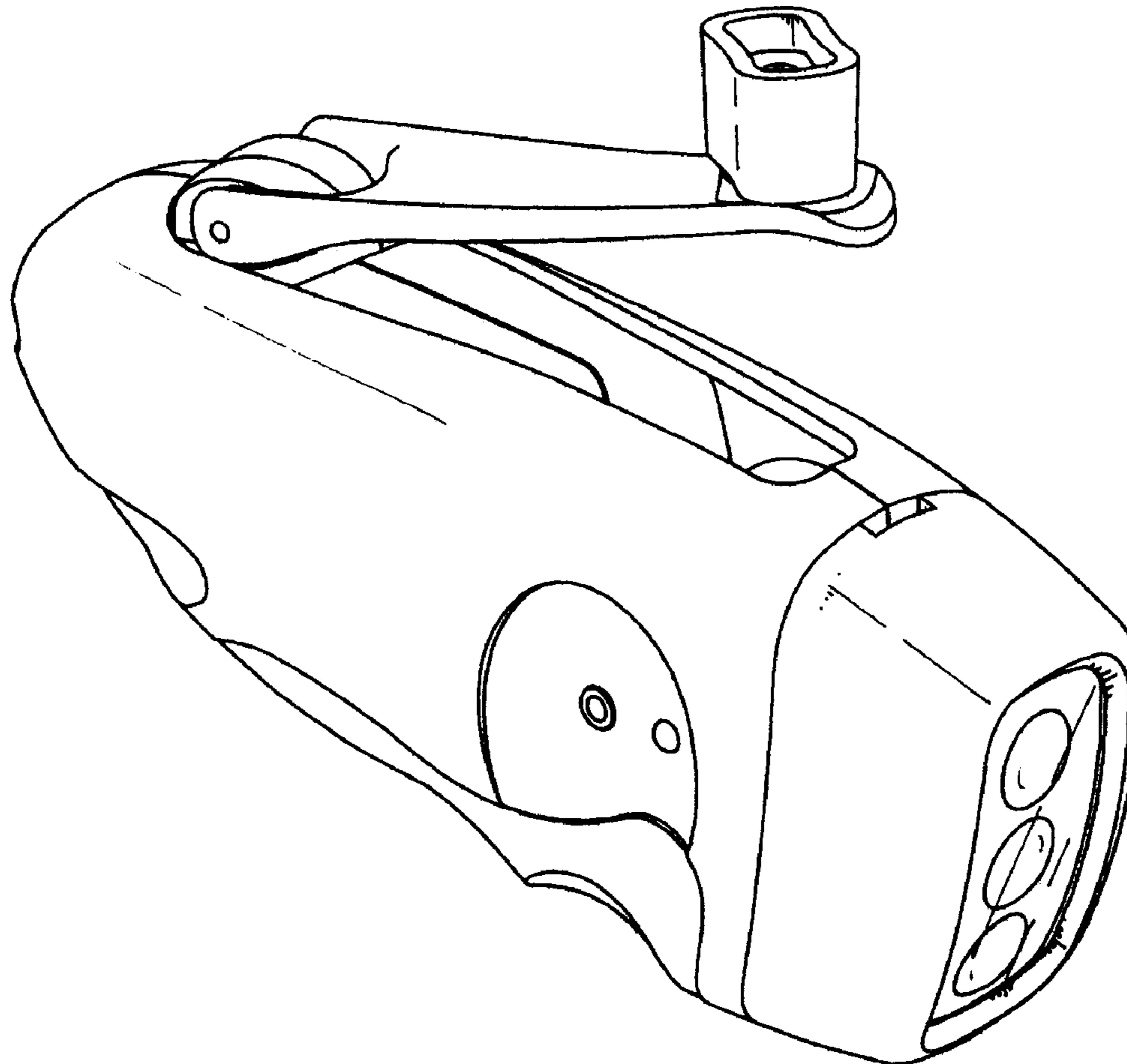
(57) **CLAIM**

The ornamental design of a hand crank powered LED flashlight, as shown and described.

DESCRIPTION

FIG. 1 is a front, top perspective view of the hand crank powered LED flashlight;
 FIG. 2 is a rear, top perspective view of the hand crank powered LED flashlight in an alternative position;
 FIG. 3 is a rear, bottom perspective view of the hand crank powered LED flashlight;
 FIG. 4 is a front, bottom perspective view of the hand crank powered LED flashlight in an alternative position;
 FIG. 5 is a front view thereof;
 FIG. 6 is a rear view thereof;
 FIG. 7 is a top view thereof;
 FIG. 8 is a bottom view thereof;
 FIG. 9 is a side view thereof; and,
 FIG. 10 is an other side view thereof.

1 Claim, 5 Drawing Sheets



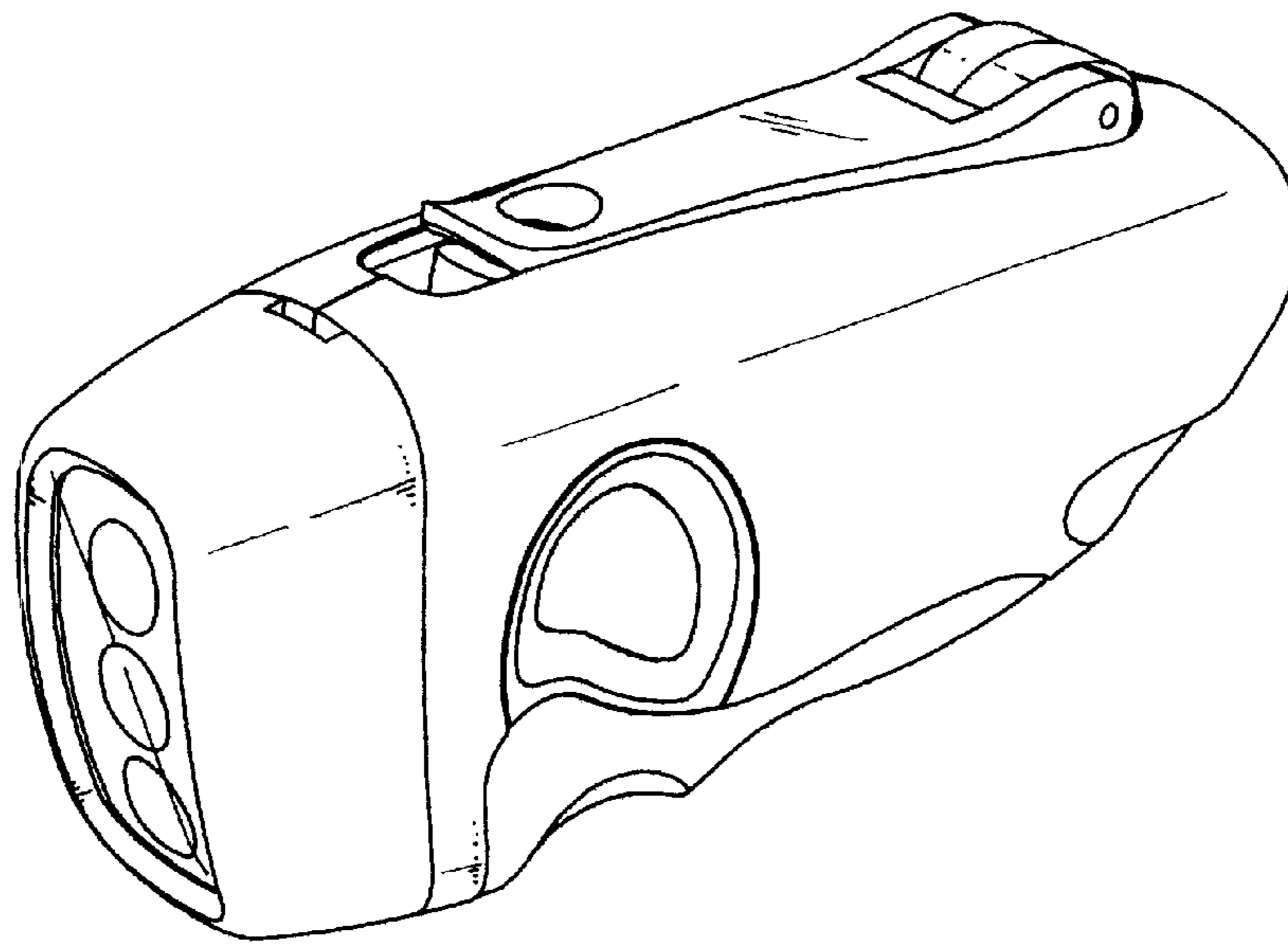


FIG. 1

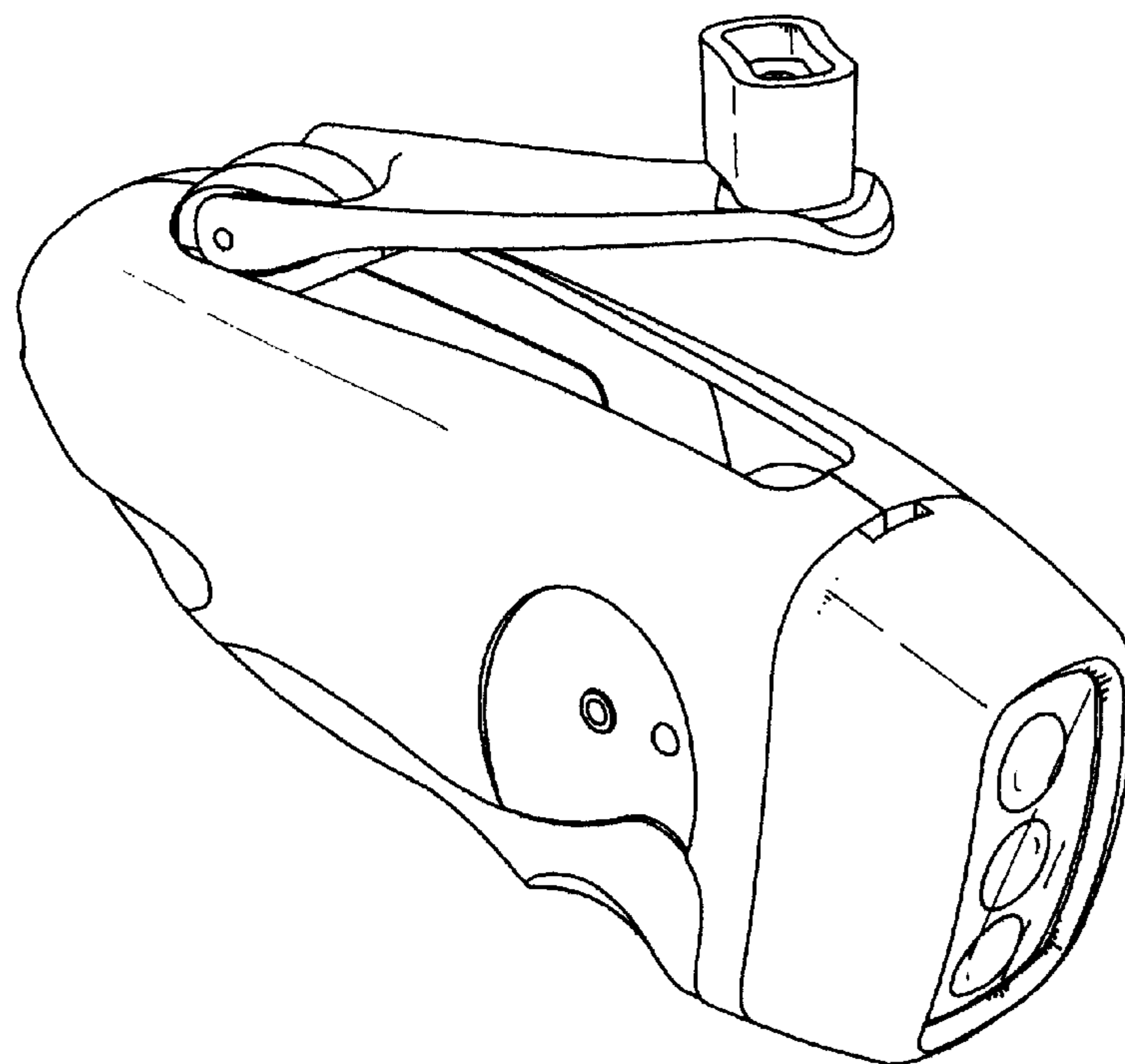


FIG. 2

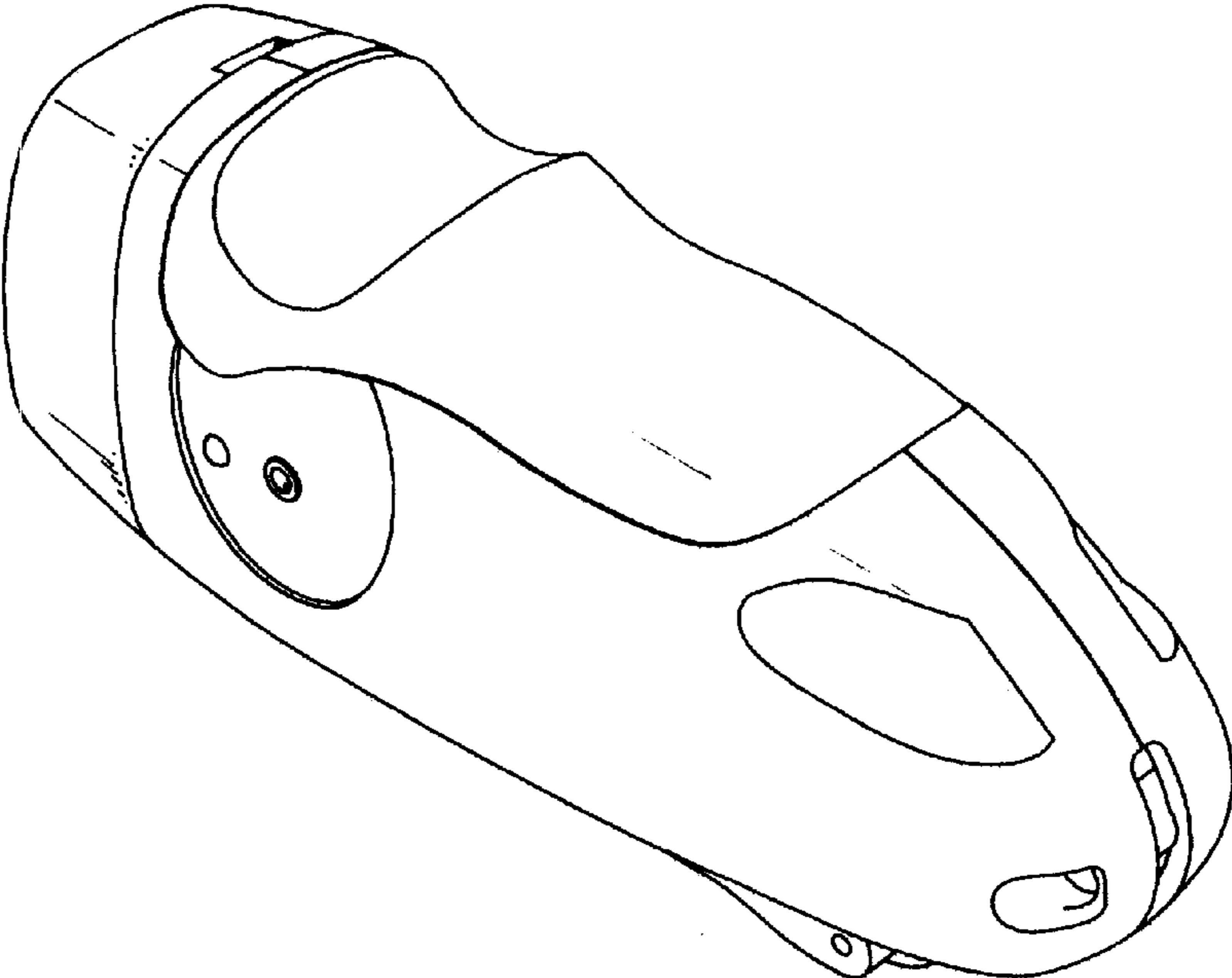


FIG. 3

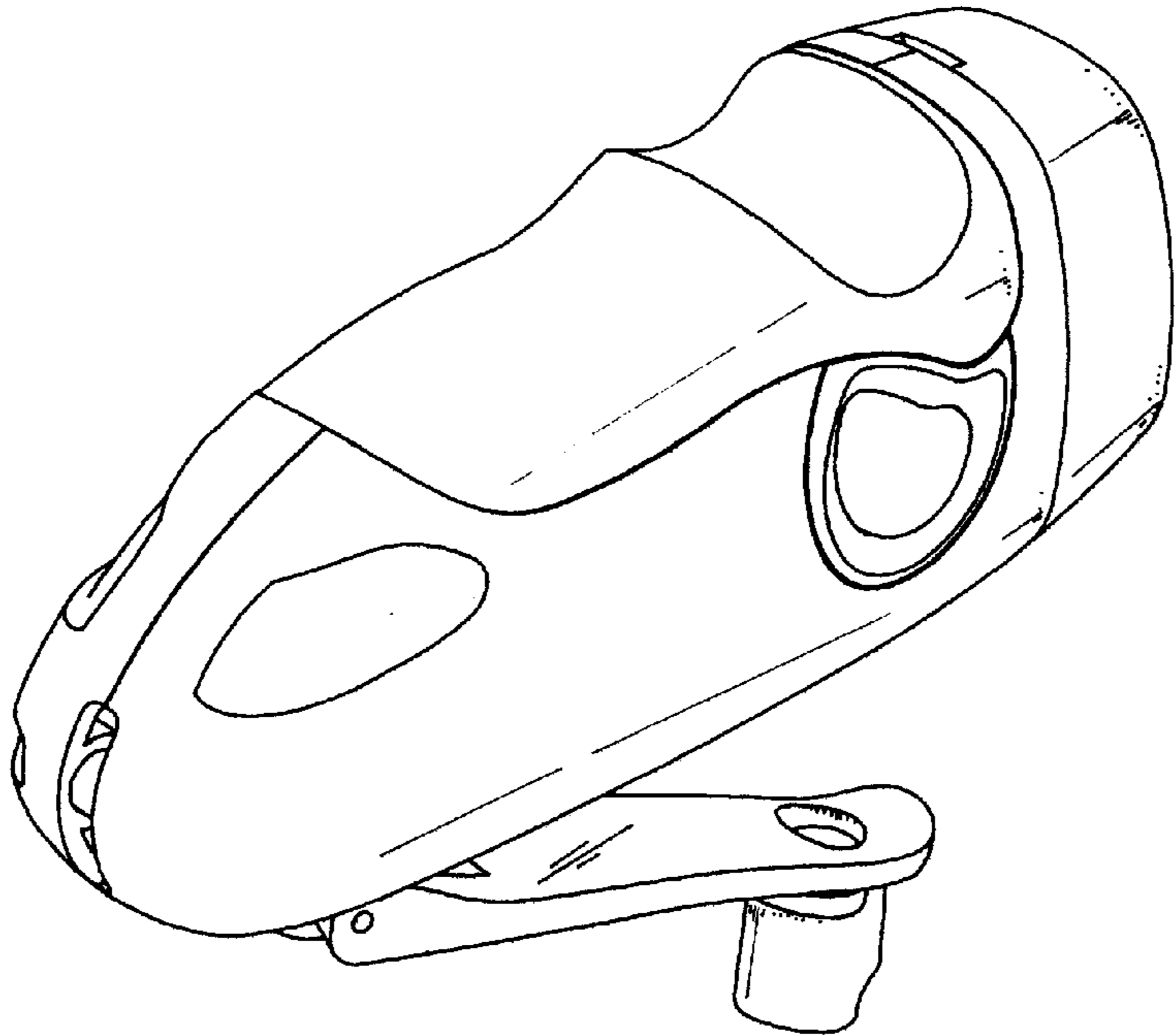


FIG. 4

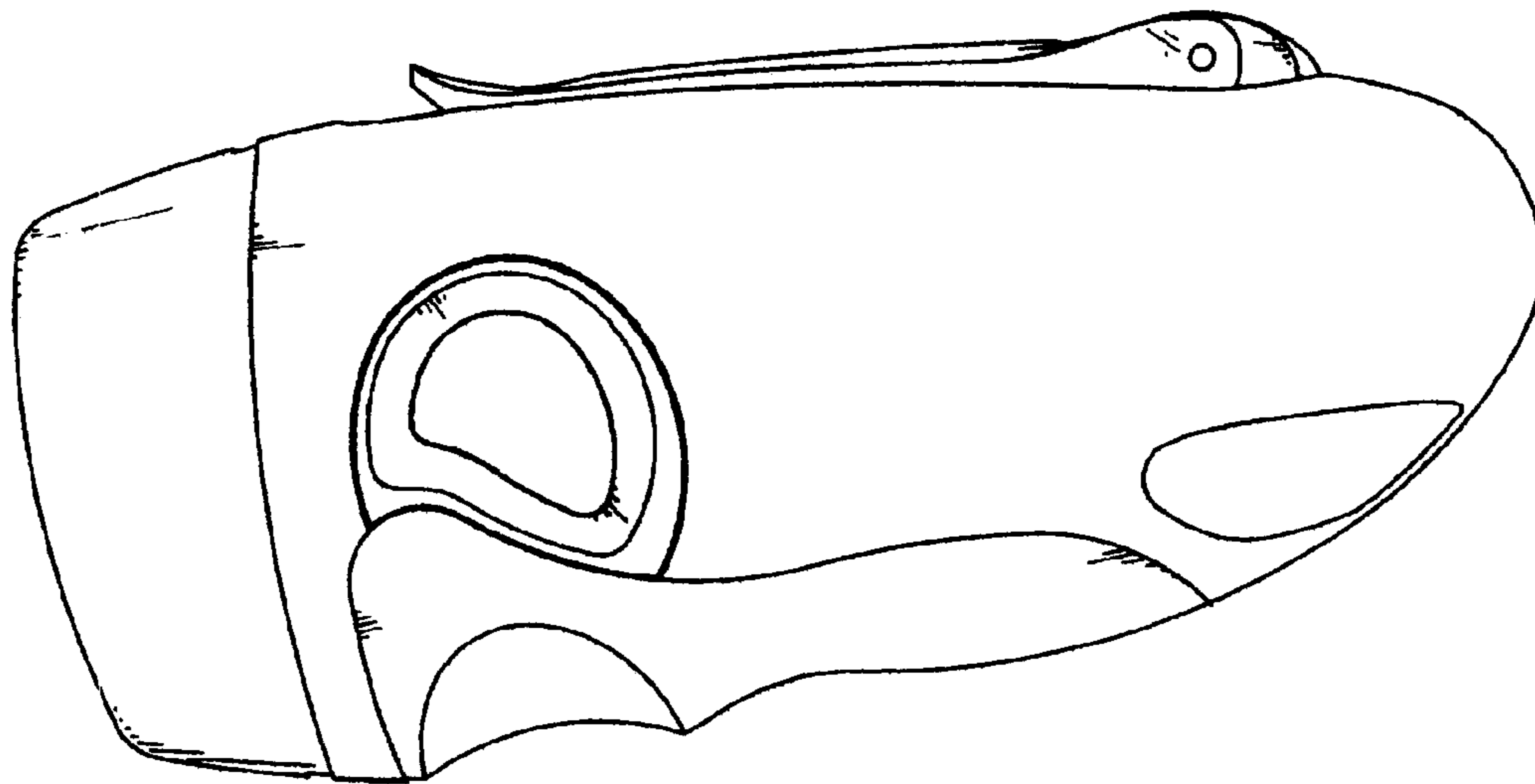


FIG. 5

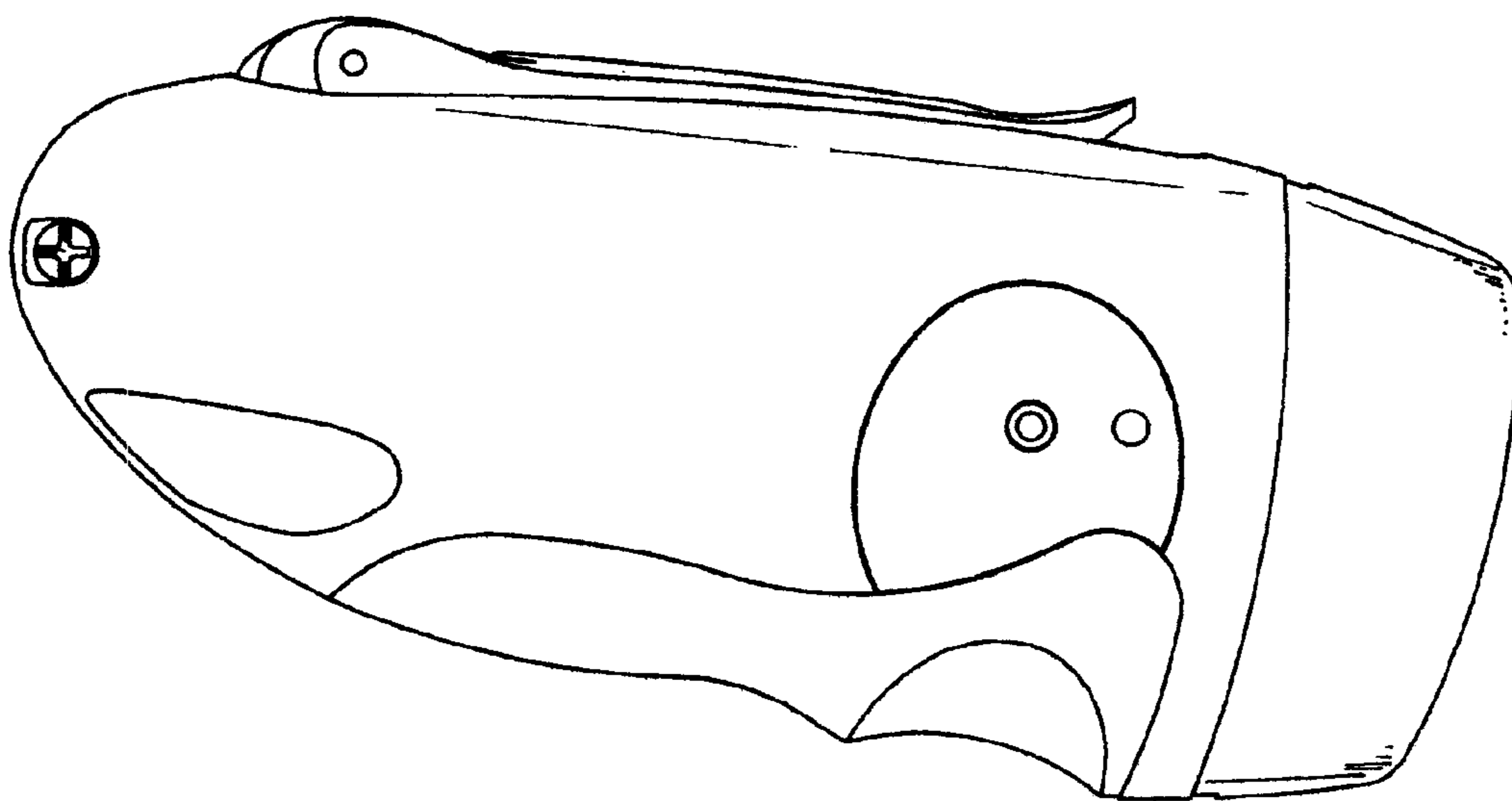


FIG. 6

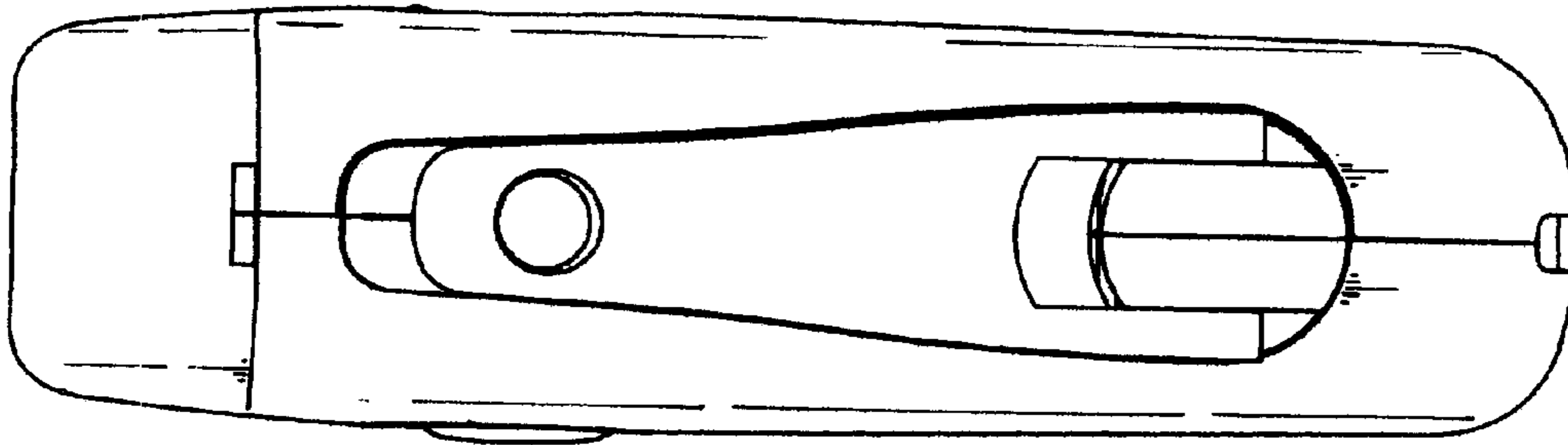


FIG. 7

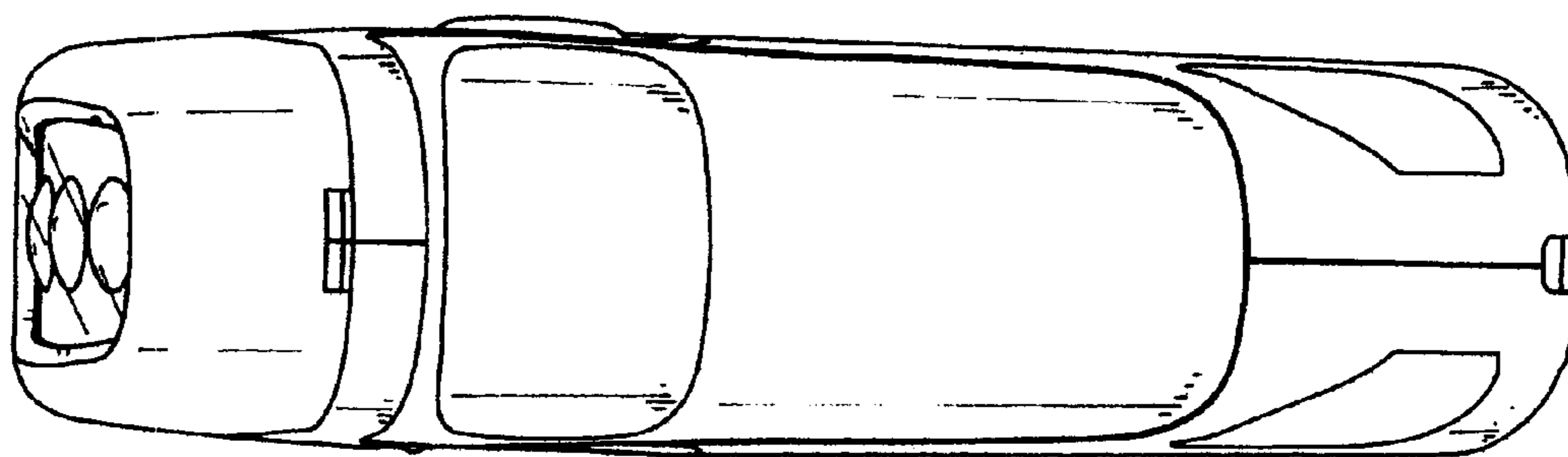


FIG. 8

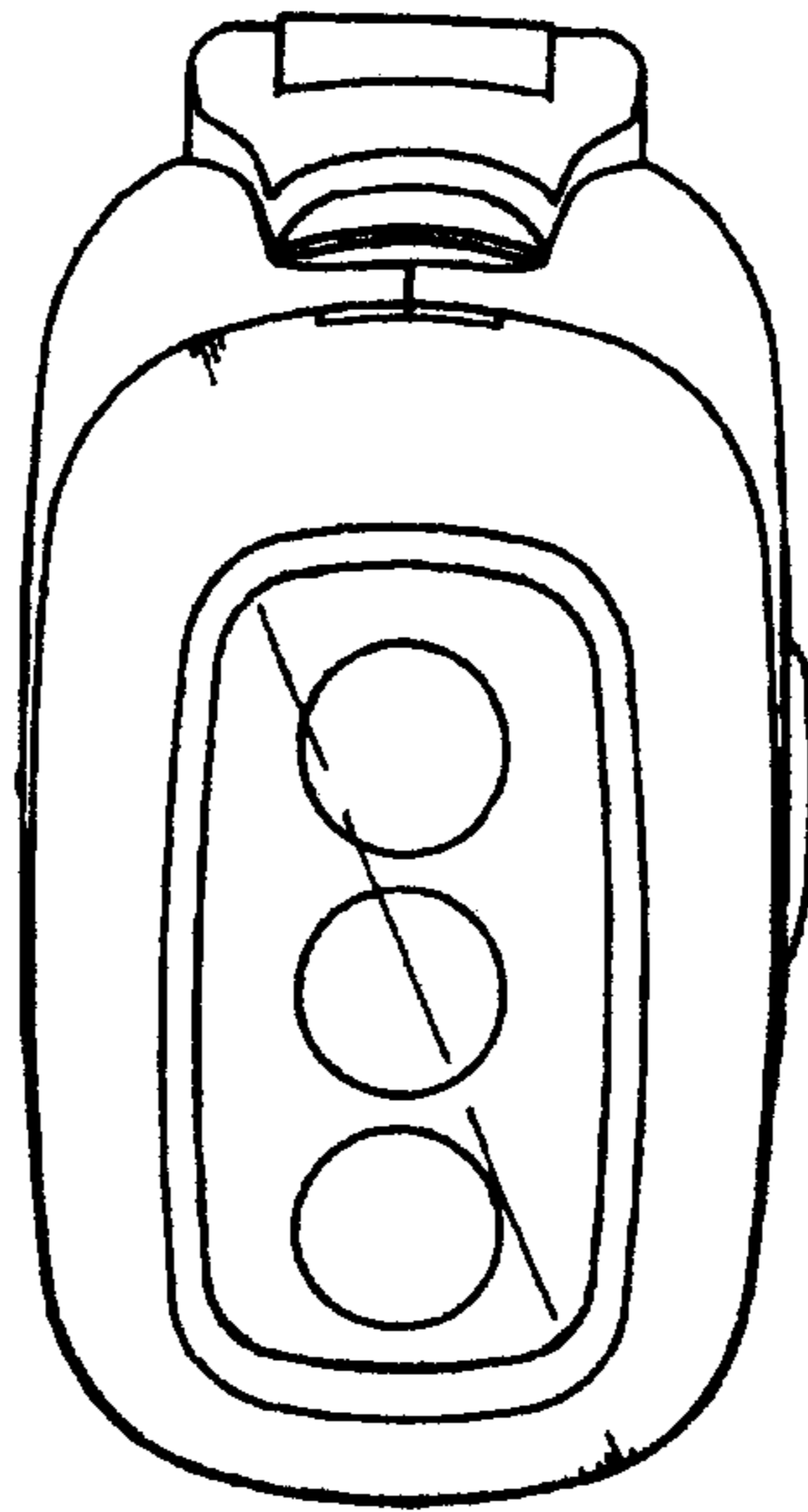


FIG. 9

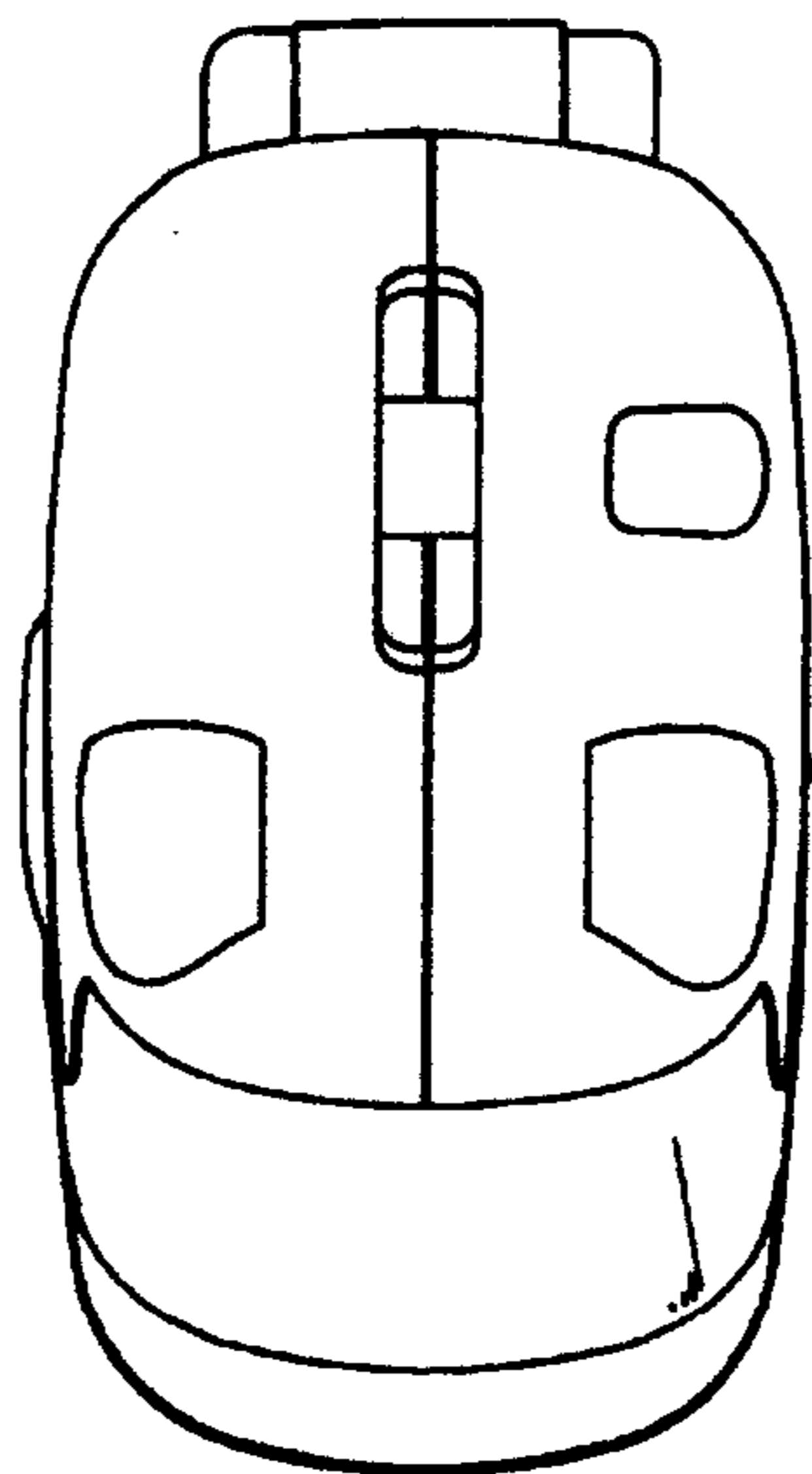


FIG. 10