

US00D536810S

(12) **United States Design Patent**
Ishikura

(10) **Patent No.:** **US D536,810 S**
(45) **Date of Patent:** **** Feb. 13, 2007**

(54) **FRONT COMBINATION LAMP FOR AN
AUTOMOBILE**

D506,842 S * 6/2005 Nagura et al. D26/28
D518,199 S * 3/2006 Honda D26/28
D526,428 S * 8/2006 Yagihashi D26/28
D528,231 S * 9/2006 Ikeda D26/28

(75) Inventor: **Naoya Ishikura**, Wako (JP)

* cited by examiner

(73) Assignee: **Honda Motor Co., Ltd.**, Tokyo (JP)

Primary Examiner—Marcus A. Jackson
(74) *Attorney, Agent, or Firm*—Westerman, Hattori,
Daniels & Adrian, LLP.

(**) Term: **14 Years**

(21) Appl. No.: **29/251,723**

(22) Filed: **Jan. 12, 2006**

(57) **CLAIM**

(30) **Foreign Application Priority Data**

The ornamental design for, a front combination lamp for an
automobile, as shown and described.

Jul. 13, 2005 (JP) 2005-020431

DESCRIPTION

(51) **LOC (8) Cl.** **26-06**

FIG. 1 is a front elevation view of a front combination lamp
for an automobile showing our new design;

(52) **U.S. Cl.** **D26/28**

FIG. 2 is a top plan view thereof;

(58) **Field of Classification Search** D26/28-36;

FIG. 3 is a right side elevation view thereof; and,

362/459-468, 475-478, 485-487

FIG. 4 is a perspective view thereof.

See application file for complete search history.

The broken lines are for illustrative purposes only and form
no part of the claimed design.

(56) **References Cited**

U.S. PATENT DOCUMENTS

D501,940 S * 2/2005 Abe D26/28

1 Claim, 4 Drawing Sheets

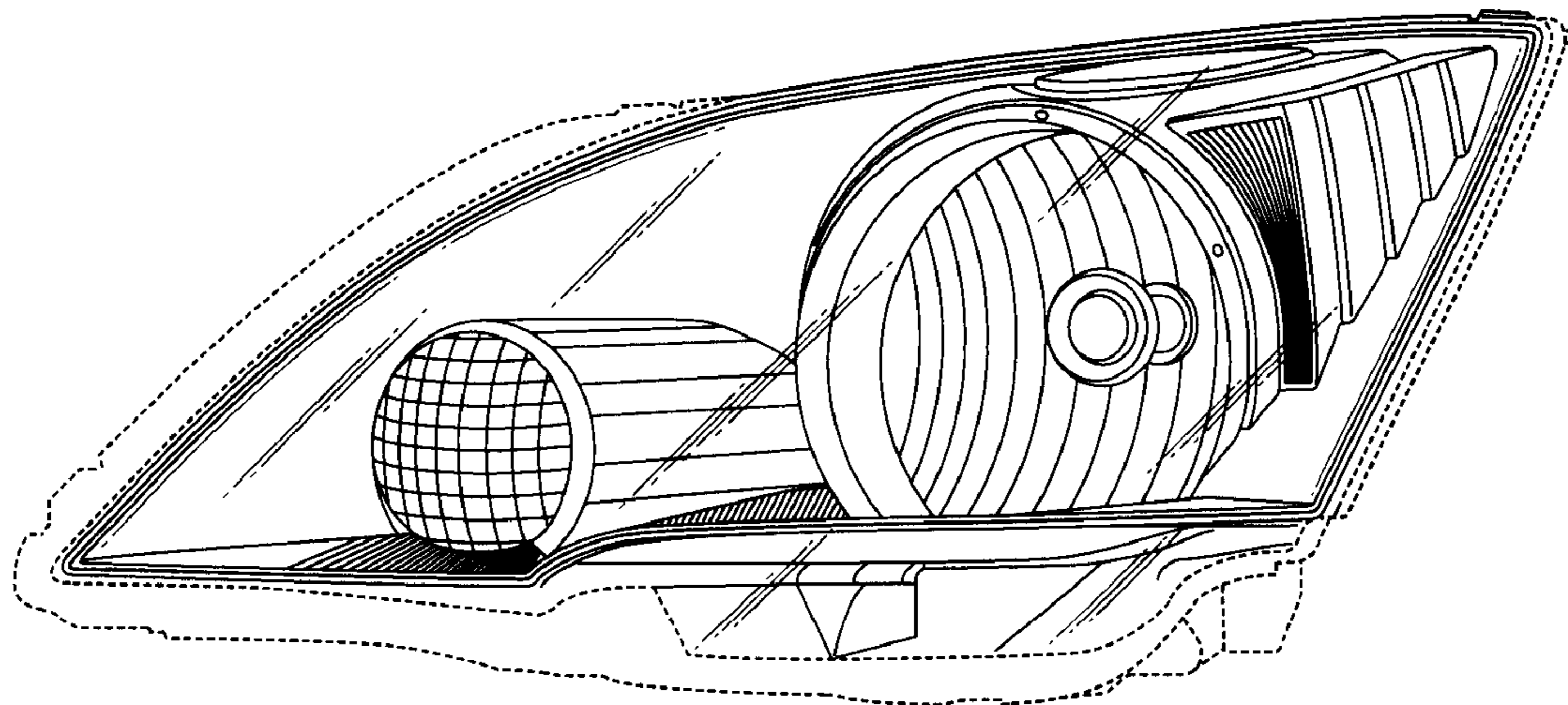


Fig. 1

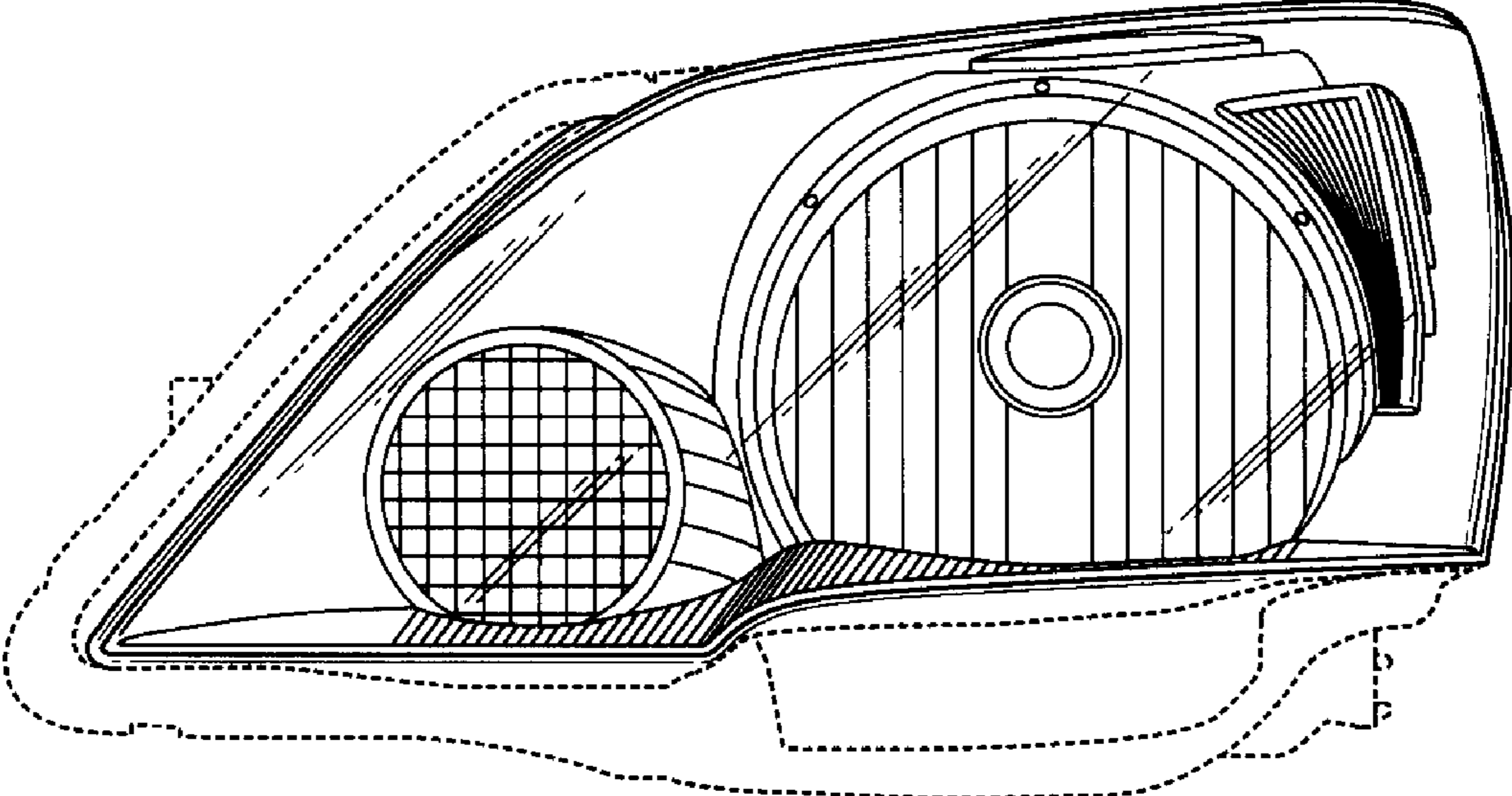


Fig. 2

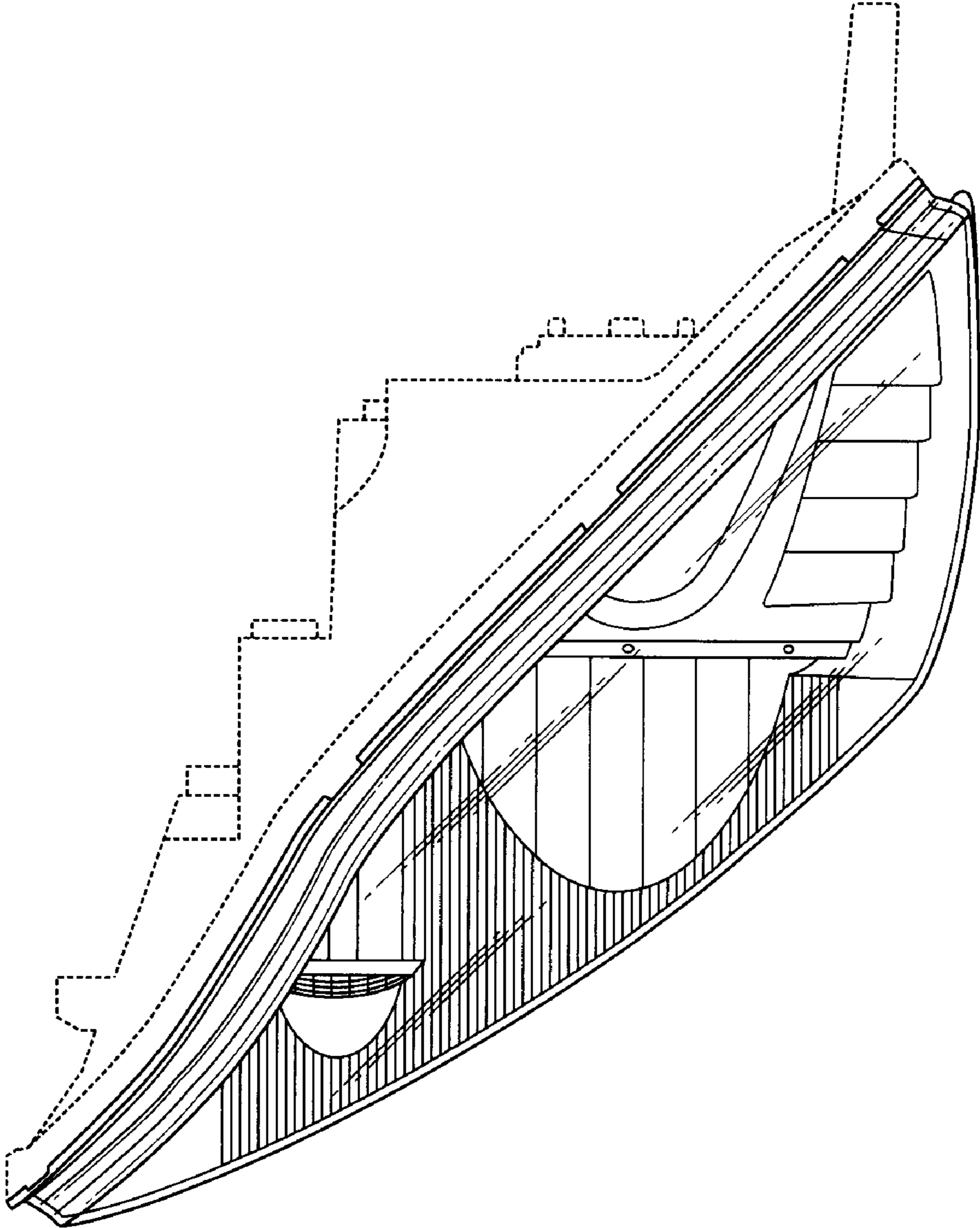


Fig. 3

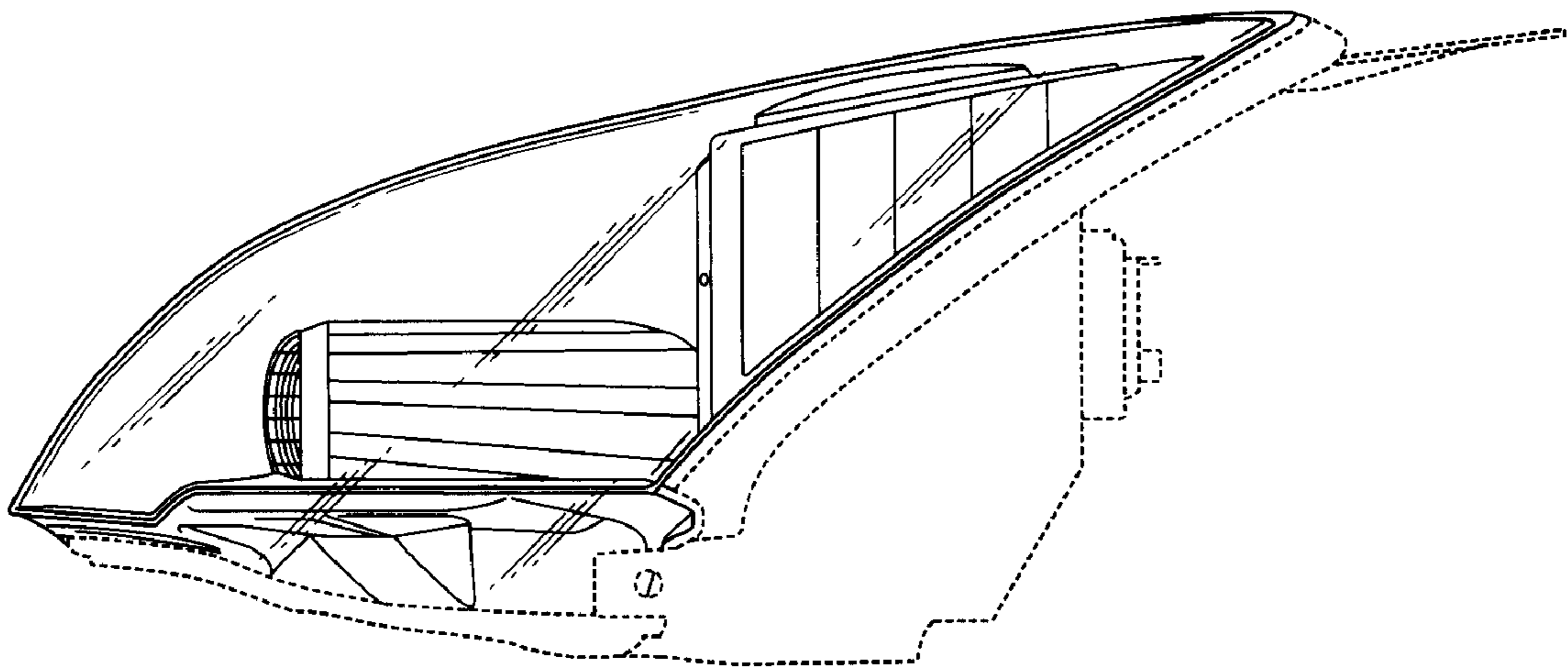


Fig. 4

