



US00D536807S

(12) **United States Design Patent** (10) **Patent No.:** **US D536,807 S**  
**Pfeiffer** (45) **Date of Patent:** **\*\* Feb. 13, 2007**

(54) **SURFACE CONFIGURATION OF A FRONT LIGHT FOR A VEHICLE**

*Primary Examiner*—Marcus A. Jackson  
(74) *Attorney, Agent, or Firm*—Crowell & Moring LLP

(75) Inventor: **Peter Pfeiffer**, Boeblingen (DE)

(57) **CLAIM**

(73) Assignee: **DaimlerChrysler AG**, Stuttgart (DE)

The ornamental design for a surface configuration of a front light for a vehicle, as shown and described.

(\*\*) Term: **14 Years**

(21) Appl. No.: **29/251,028**

**DESCRIPTION**

(22) Filed: **Jan. 4, 2006**

This application is related to the following co-pending application, of the inventor, filed on even date herewith: Application Ser. No. 29/245,989, entitled "Surface Configuration of a Vehicle, Toy, and/or Other Replicas".

(30) **Foreign Application Priority Data**

Jul. 5, 2005 (DE) ..... 4 05 03 450  
Jul. 5, 2005 (DE) ..... 4 05 03 451

FIG. 1 is a perspective view of a first embodiment of a surface configuration of a front light for a vehicle according to my novel design; and

(51) **LOC (8) Cl.** ..... **26-06**

(52) **U.S. Cl.** ..... **D26/28**

FIG. 2 is a front view thereof.

(58) **Field of Classification Search** ..... D26/26-28;  
362/459-468, 475-478, 485-487

FIG. 3 is a perspective view of a second embodiment of the surface configuration of a front light for a vehicle according to my novel design; and

See application file for complete search history.

FIG. 4 is a front view thereof; and,

(56) **References Cited**

**U.S. PATENT DOCUMENTS**

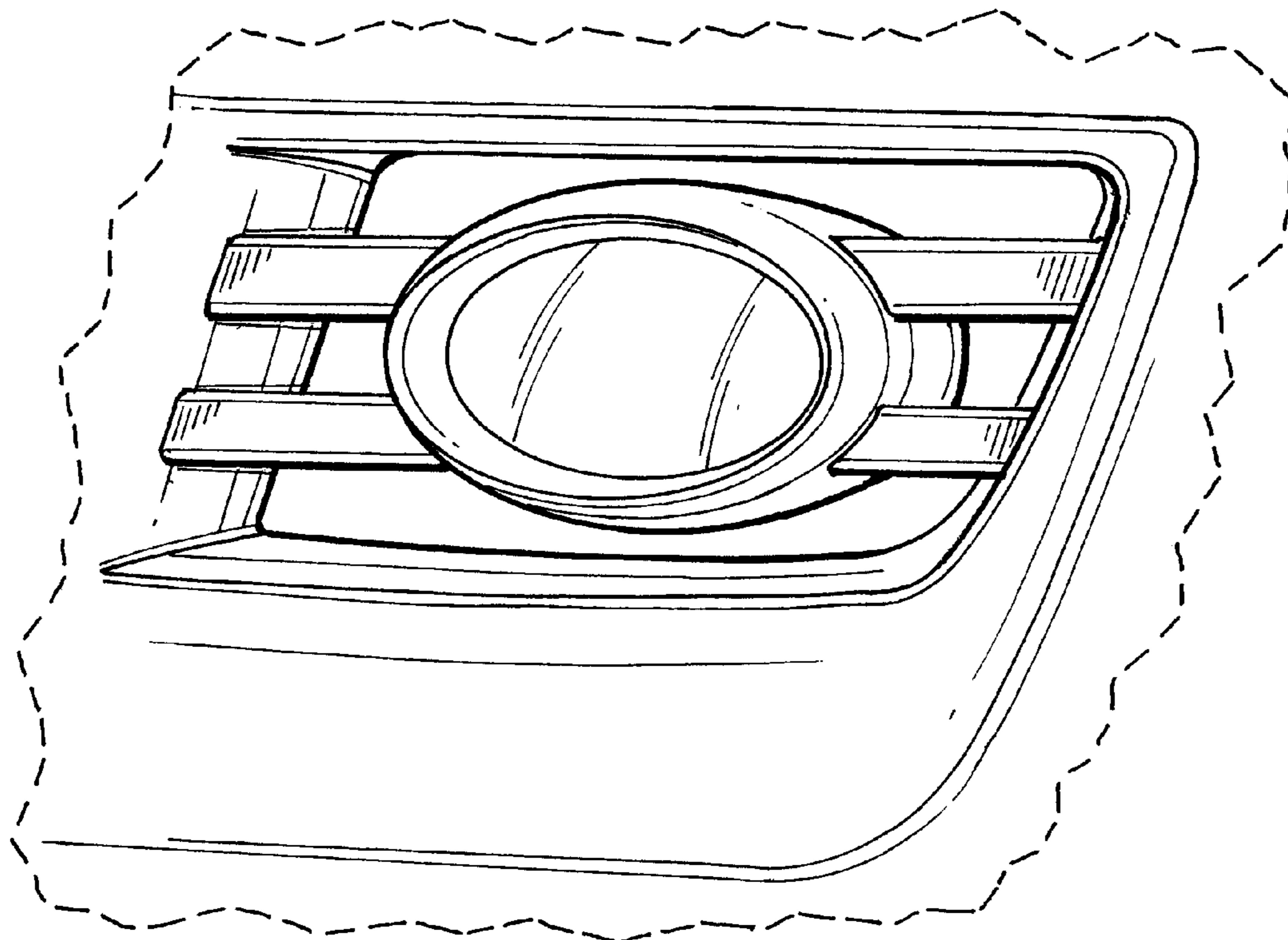
FIG. 5 is an expanded view of the design showing a possible placement on a vehicle.

D498,548 S \* 11/2004 Kawashima et al. .... D26/28  
D506,844 S \* 6/2005 Lin ..... D26/28  
D507,991 S \* 8/2005 Pfeiffer et al.  
D508,137 S \* 8/2005 Numata ..... D26/28  
D527,125 S \* 8/2006 Lai ..... D26/28

The broken lines are for illustrative purposes only and form no part of the claimed design. Also enclosed is a photograph of an embodiment of the design.

\* cited by examiner

**1 Claim, 3 Drawing Sheets**



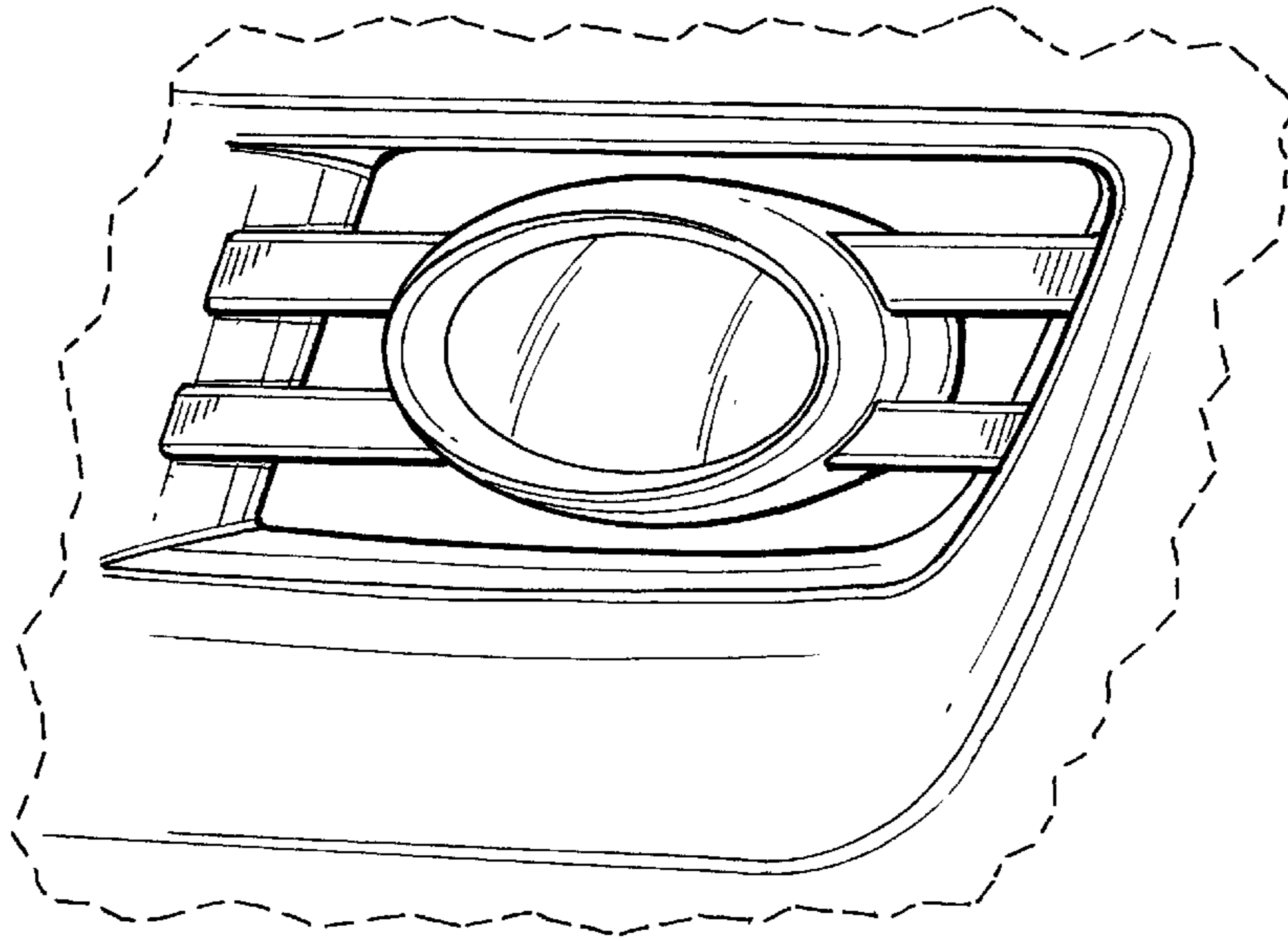


FIG. 1

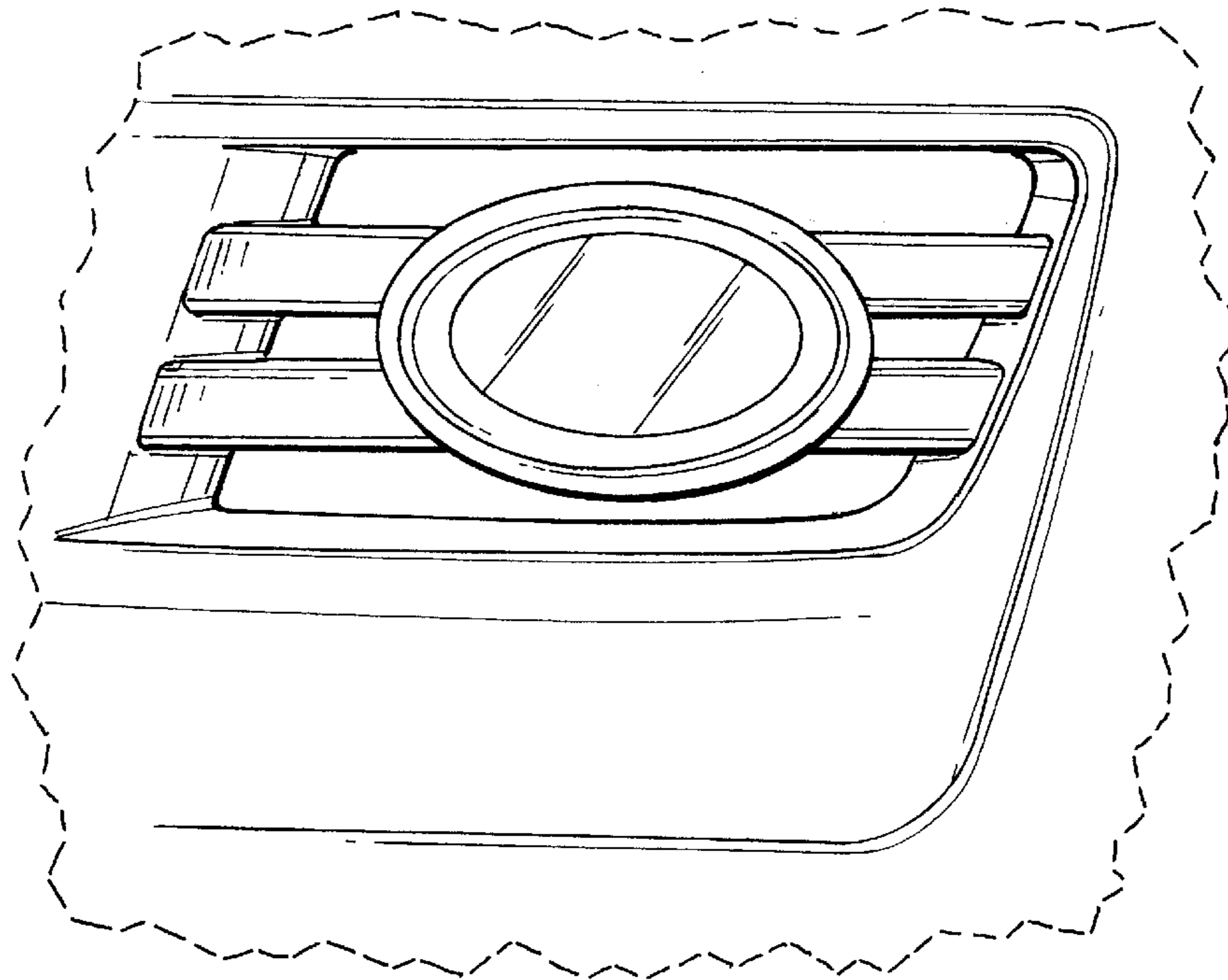


FIG. 2

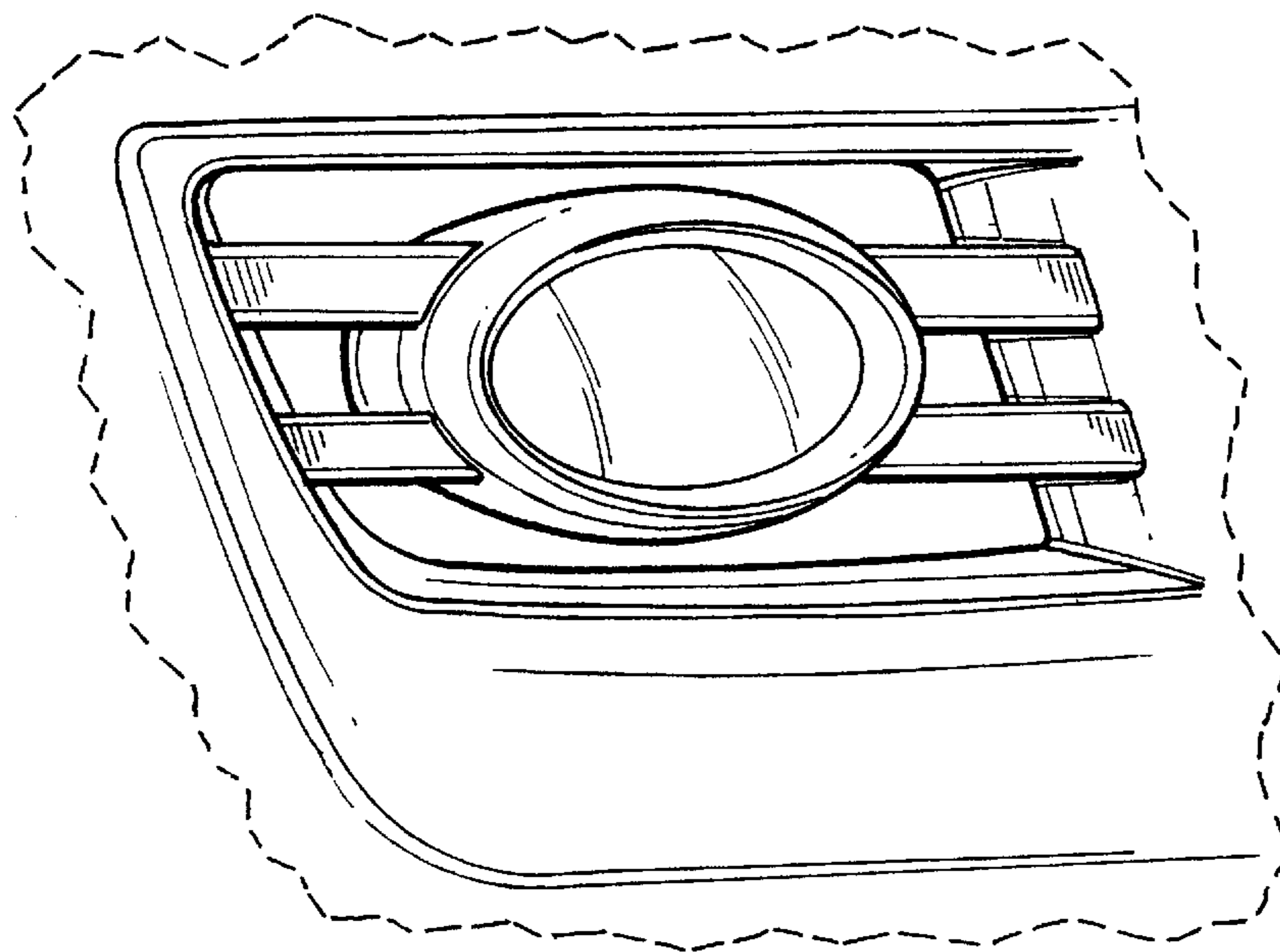


FIG. 3

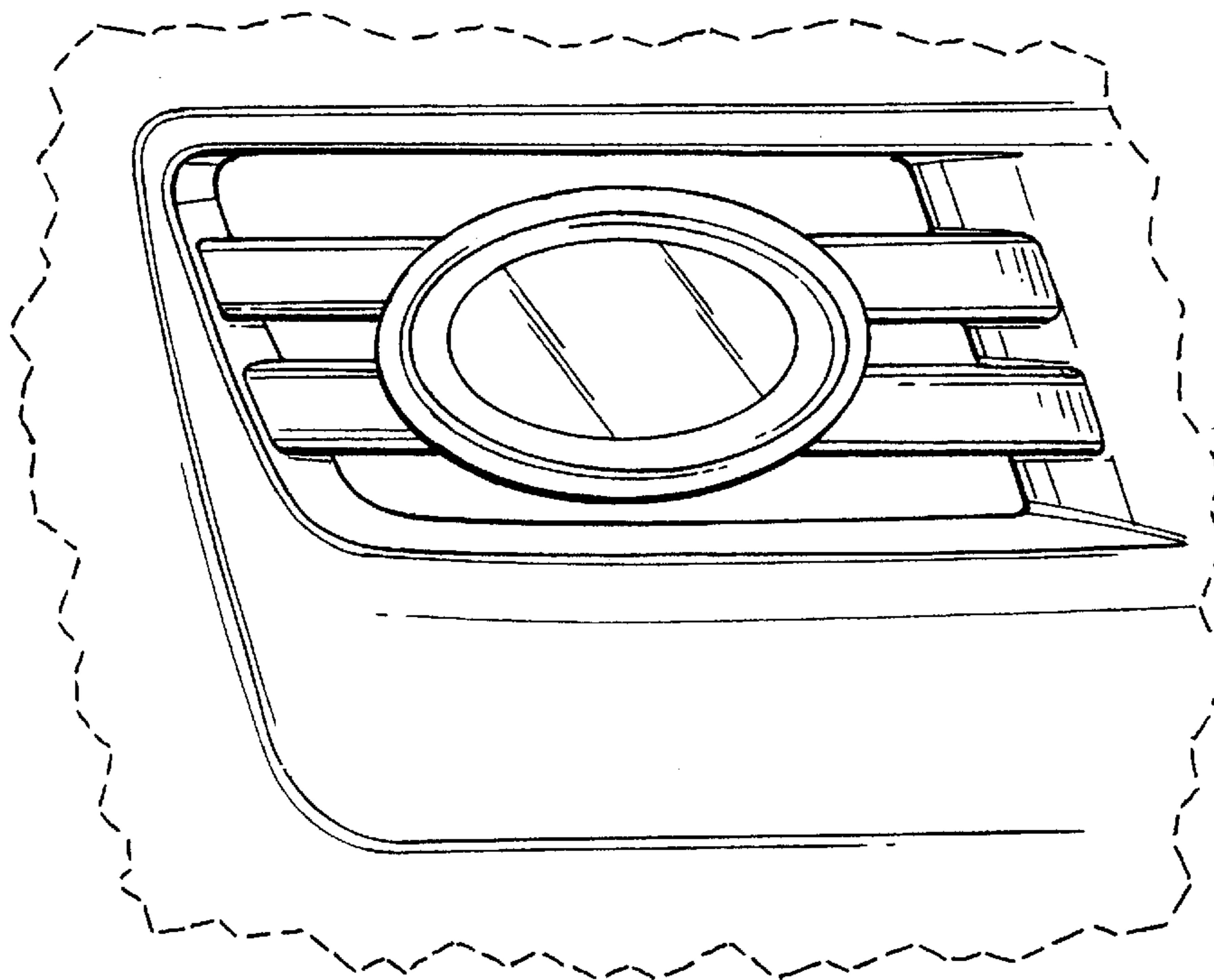


FIG. 4

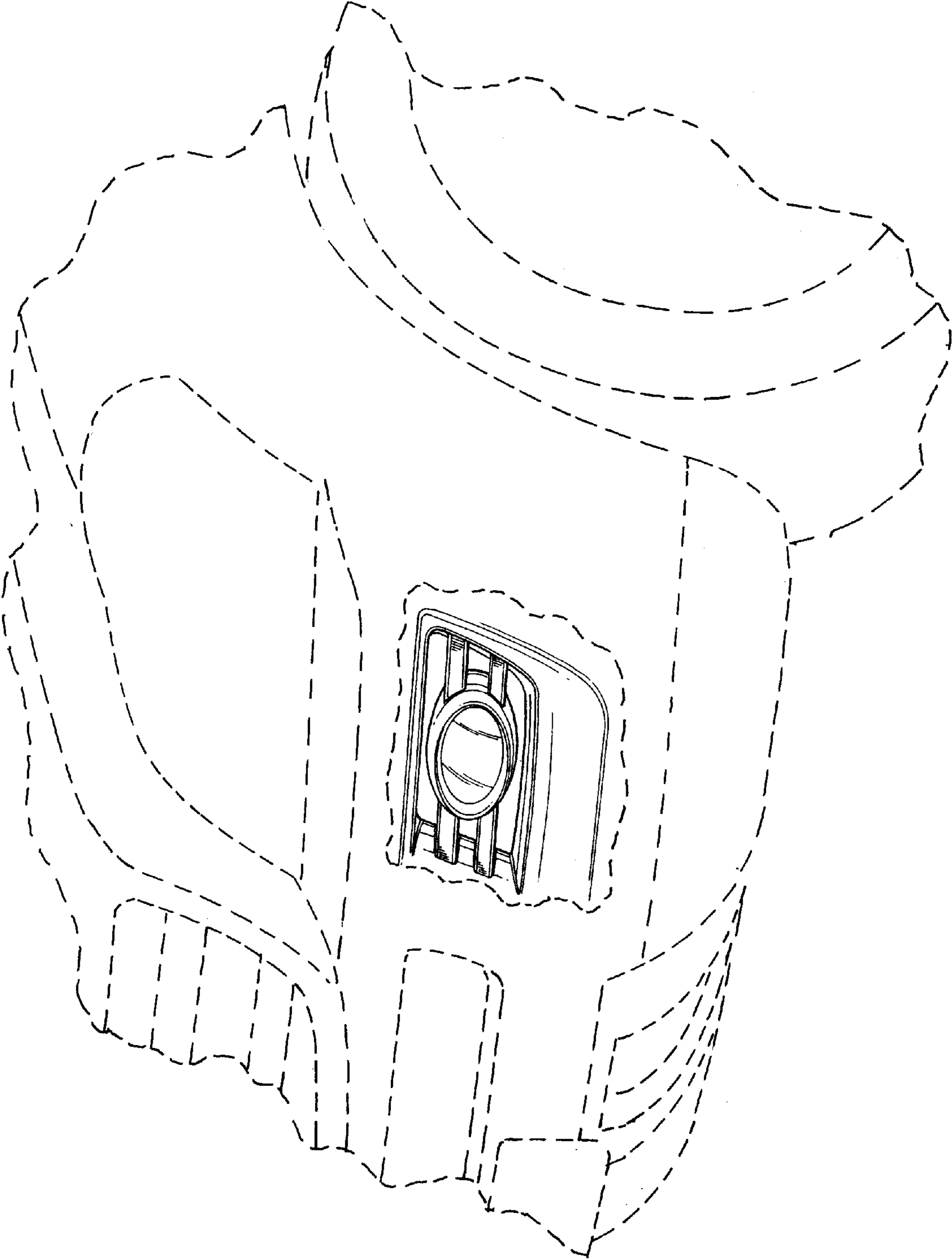


FIG. 5