



US00D536805S

(12) **United States Design Patent**  
**Yuen**

(10) **Patent No.:** **US D536,805 S**

(45) **Date of Patent:** **\*\* Feb. 13, 2007**

(54) **LIGHT**

(76) **Inventor:** **Se Kit Yuen**, 6/F, Yau Lee Centre, 45 Hoi Yuen Road, Kwun Tong, Kowloon, Hong Kong (HK)

(\*\*) **Term:** **14 Years**

(21) **Appl. No.:** **29/246,413**

(22) **Filed:** **Apr. 7, 2006**

(51) **LOC (8) Cl.** ..... **26-05**

(52) **U.S. Cl.** ..... **D26/26**

(58) **Field of Classification Search** ..... D26/24, D26/26, 37, 60, 67, 72, 77, 113, 118, 119, D26/124, 139; D23/366, 367; 362/640-4, 362/652-3

See application file for complete search history.

(56) **References Cited**

**U.S. PATENT DOCUMENTS**

- D355,497 S \* 2/1995 Ancona et al. .... D26/26
- D393,911 S \* 4/1998 Stekelenburg ..... D26/26
- D397,812 S \* 9/1998 Schifrin ..... D26/26

- D399,014 S \* 9/1998 Emmerling ..... D26/26
- D436,398 S \* 1/2001 Steiner ..... D23/366
- 2002/0163796 A1 \* 11/2002 Dickie et al. .... 362/84

\* cited by examiner

*Primary Examiner*—Alan P. Douglas

*Assistant Examiner*—Angela J. Lee

(74) *Attorney, Agent, or Firm*—Akerman Senterfitt

(57) **CLAIM**

The ornamental design for a light, as shown and described.

**DESCRIPTION**

FIG. 1 is a front, top and right side perspective view of the light;

FIG. 2 is a rear, bottom and left side perspective view thereof;

FIG. 3 is a front view thereof;

FIG. 4 is a rear view thereof;

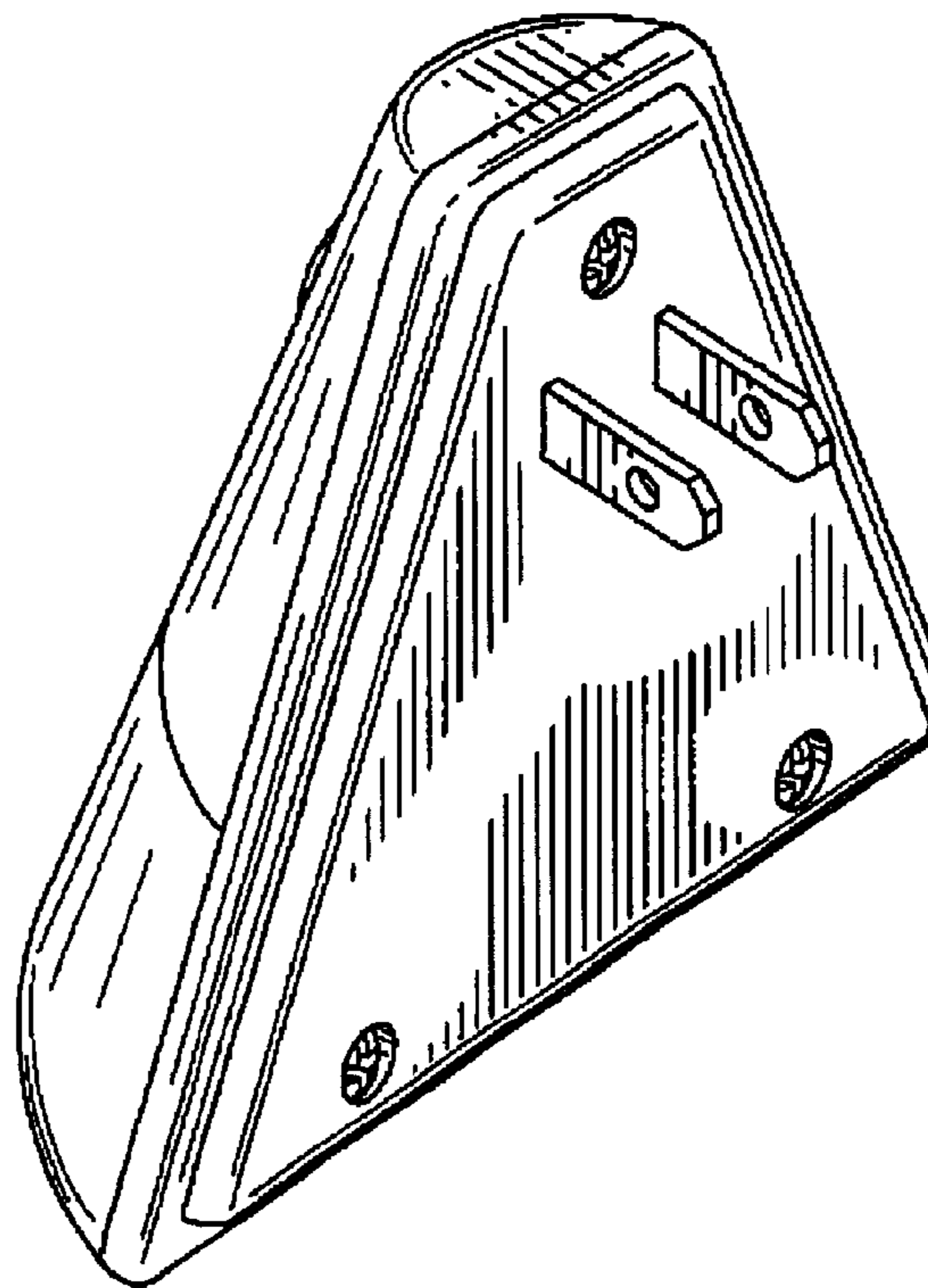
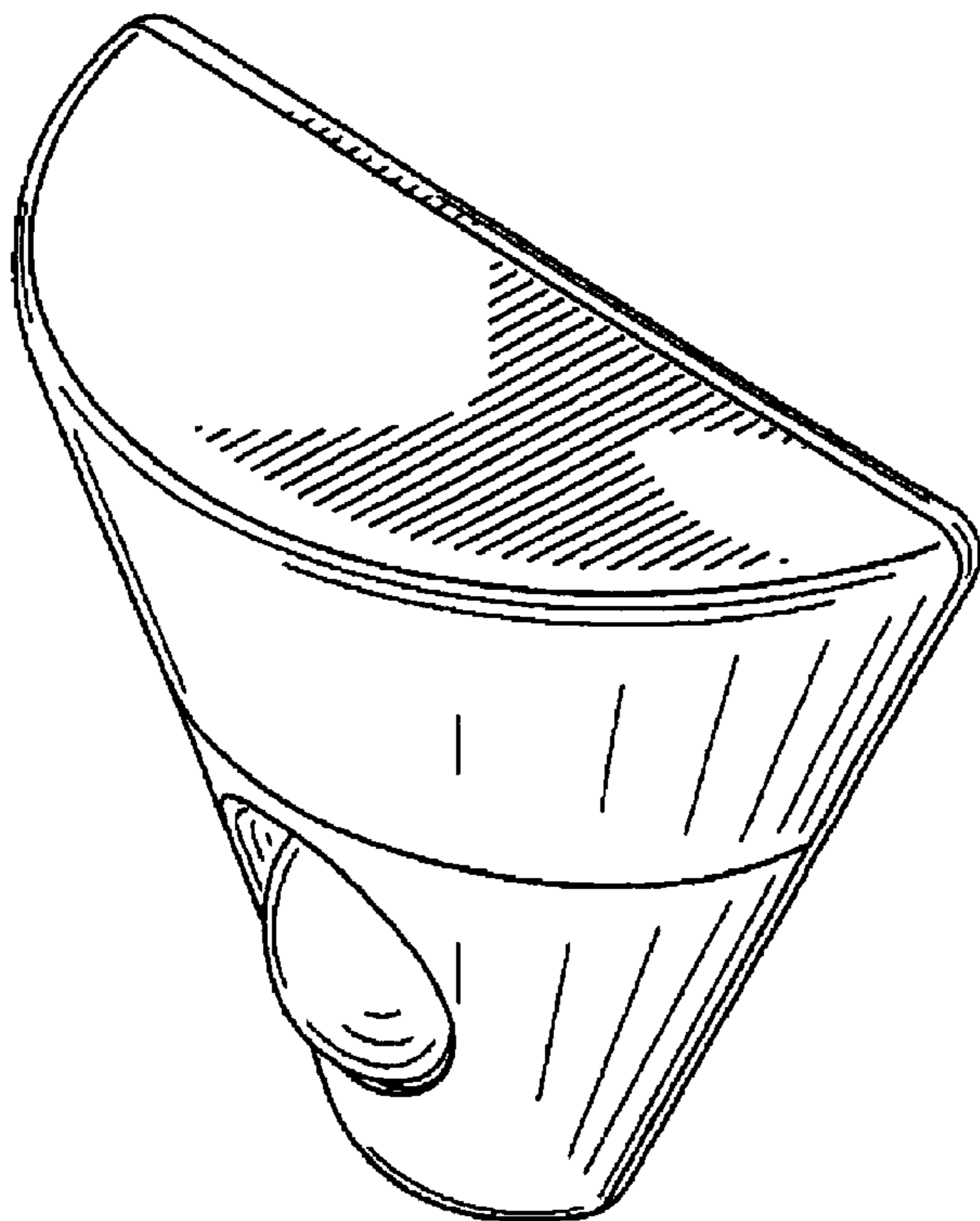
FIG. 5 is a left side view thereof;

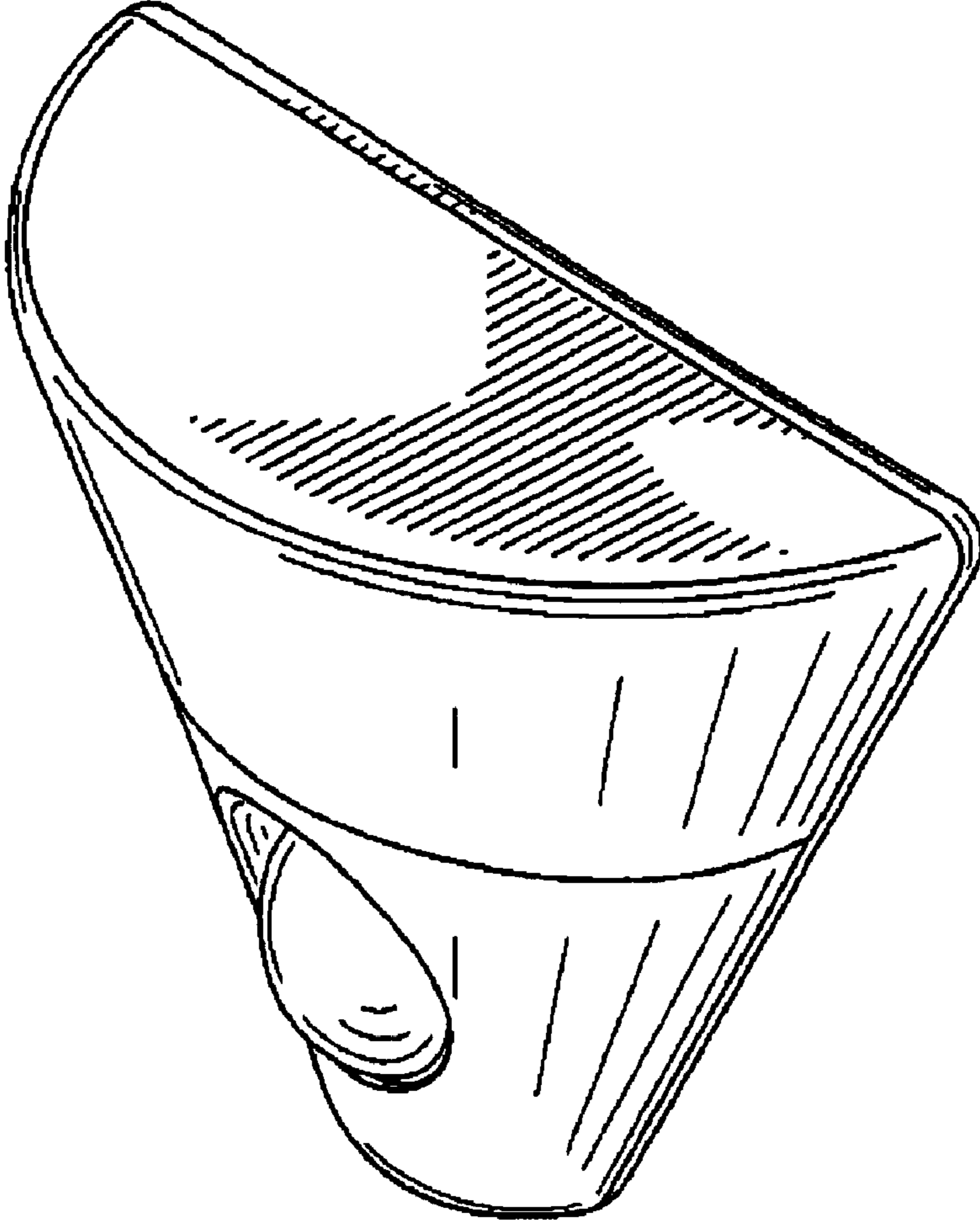
FIG. 6 is a right side view thereof;

FIG. 7 is a top view thereof; and,

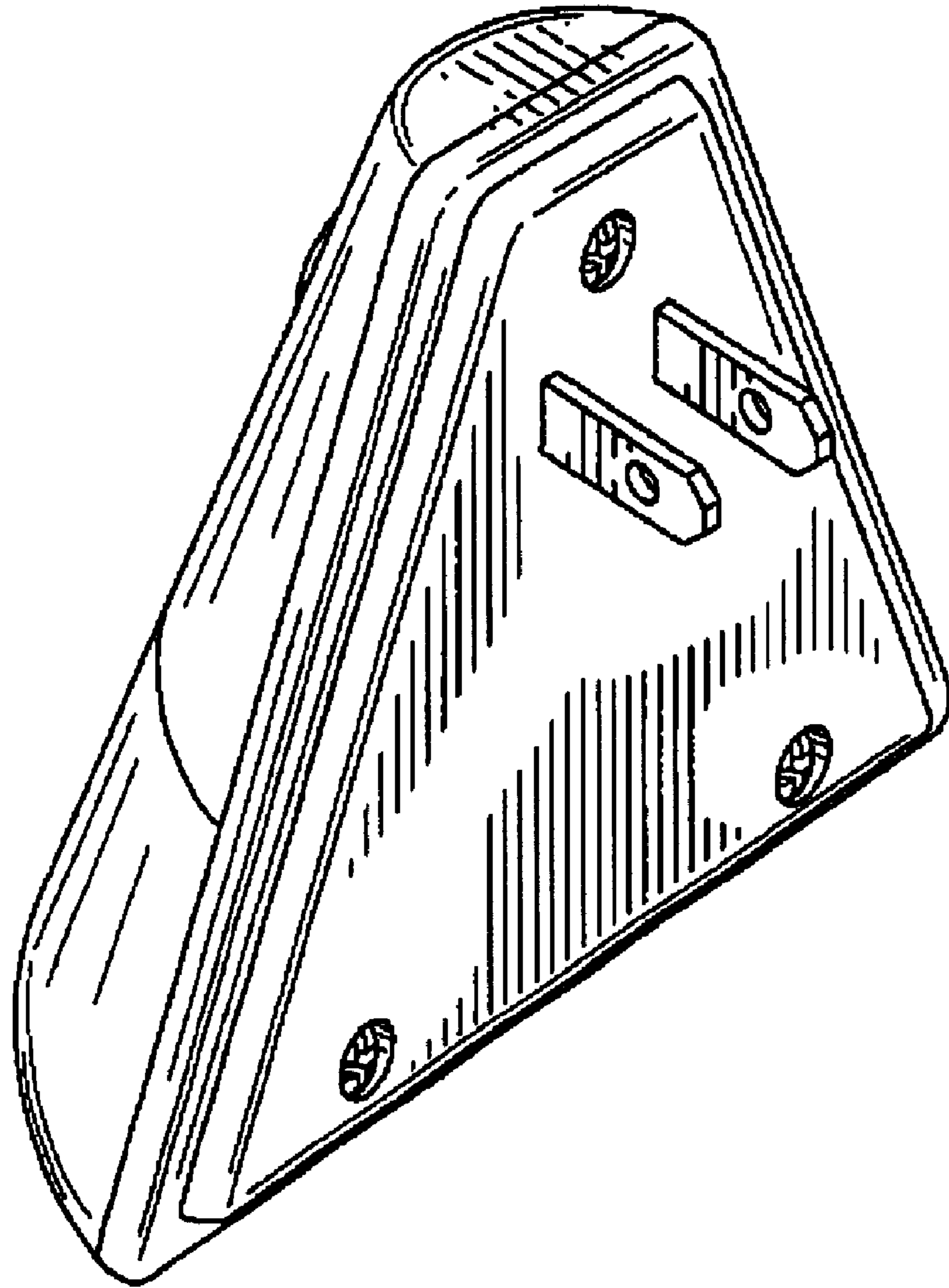
FIG. 8 is a bottom view thereof.

**1 Claim, 8 Drawing Sheets**

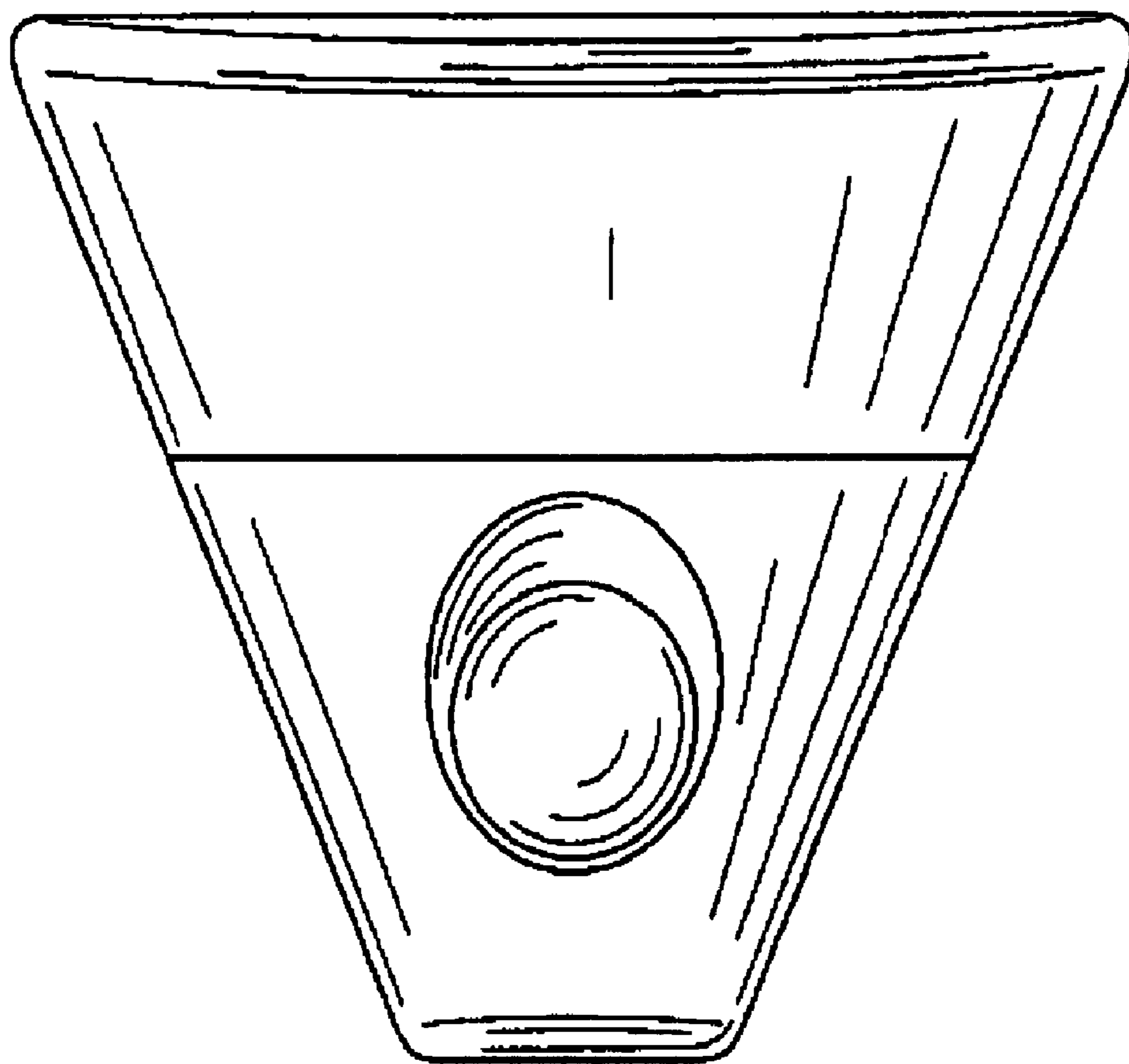




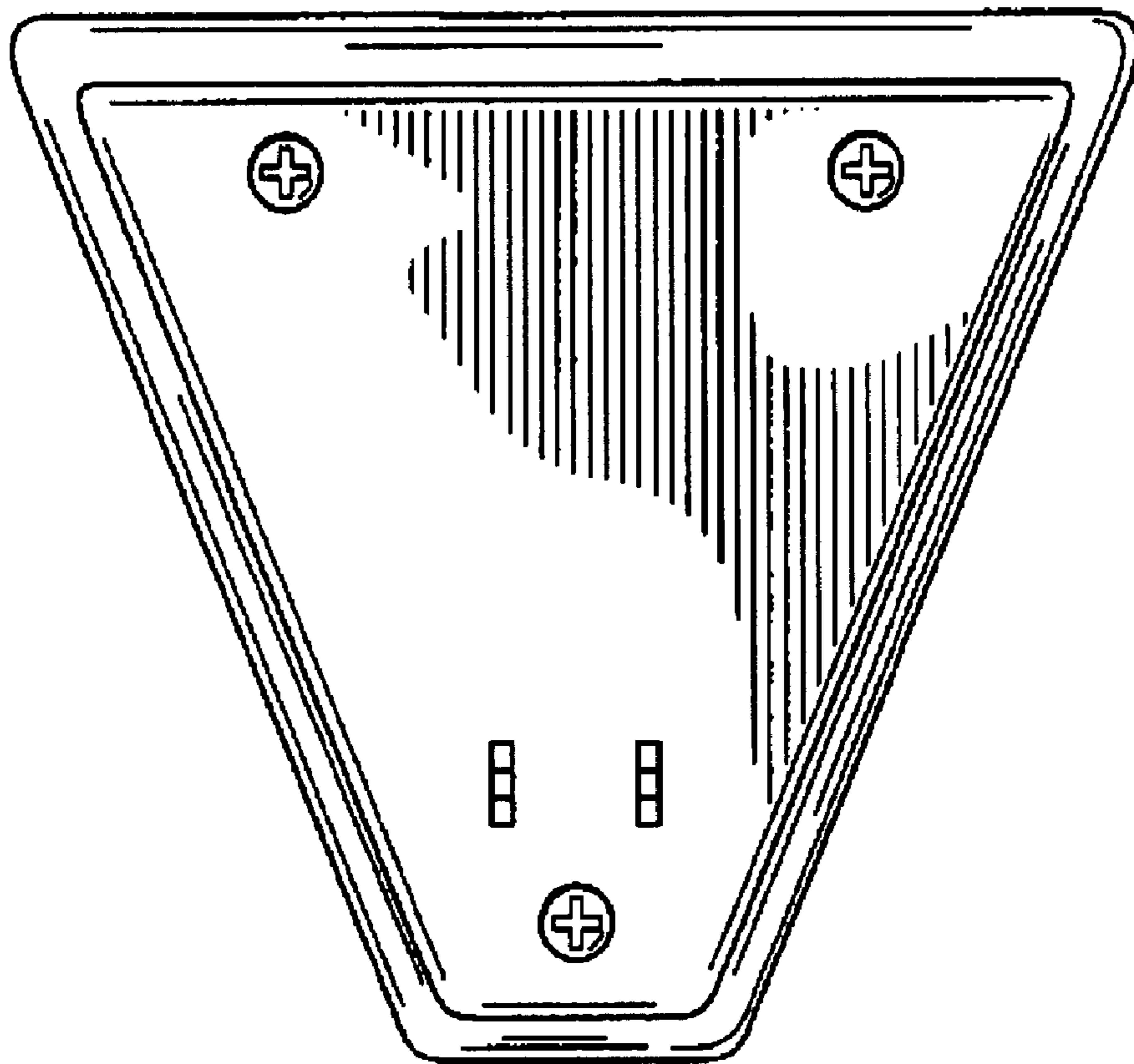
**FIG. 1**



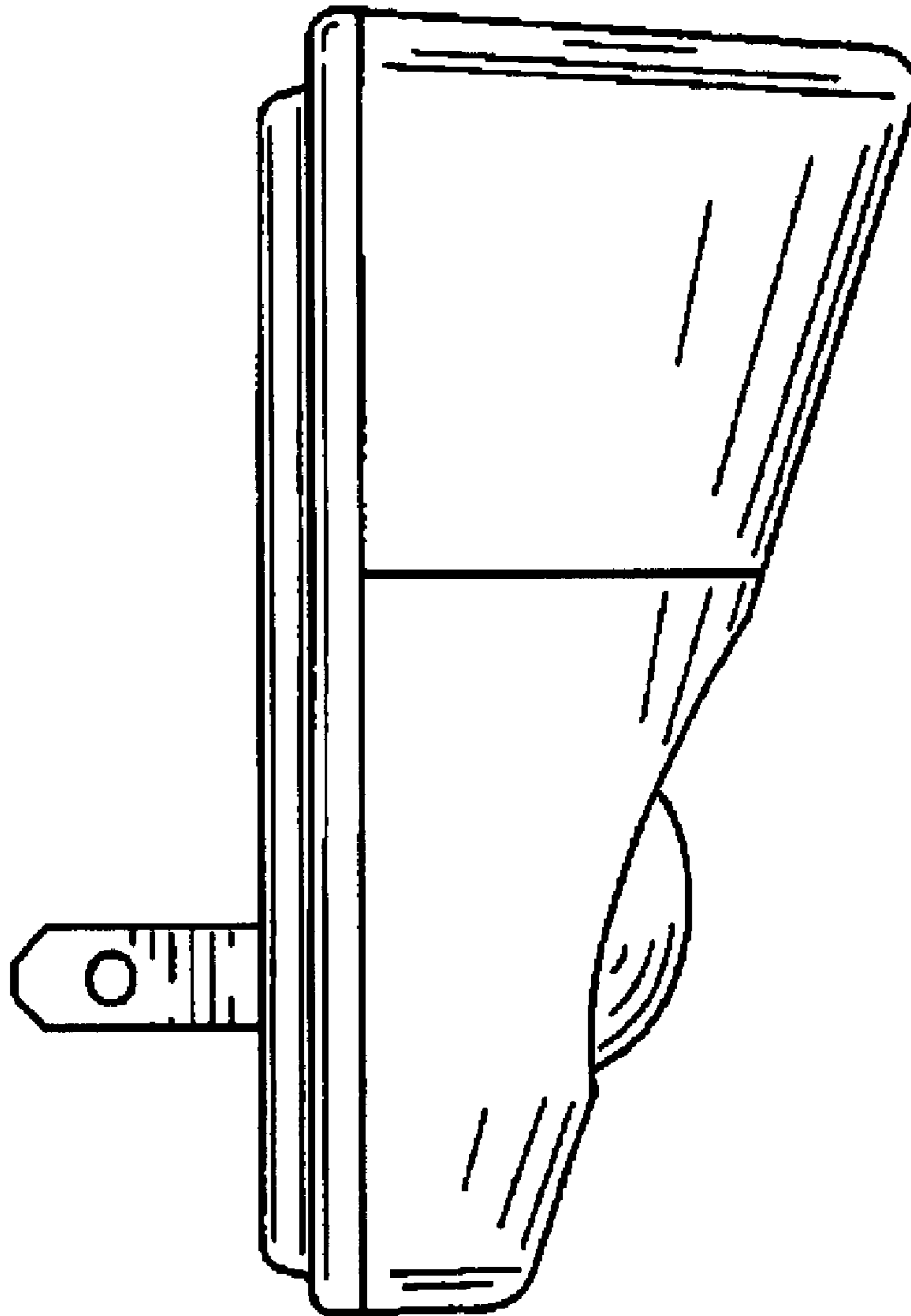
**FIG. 2**



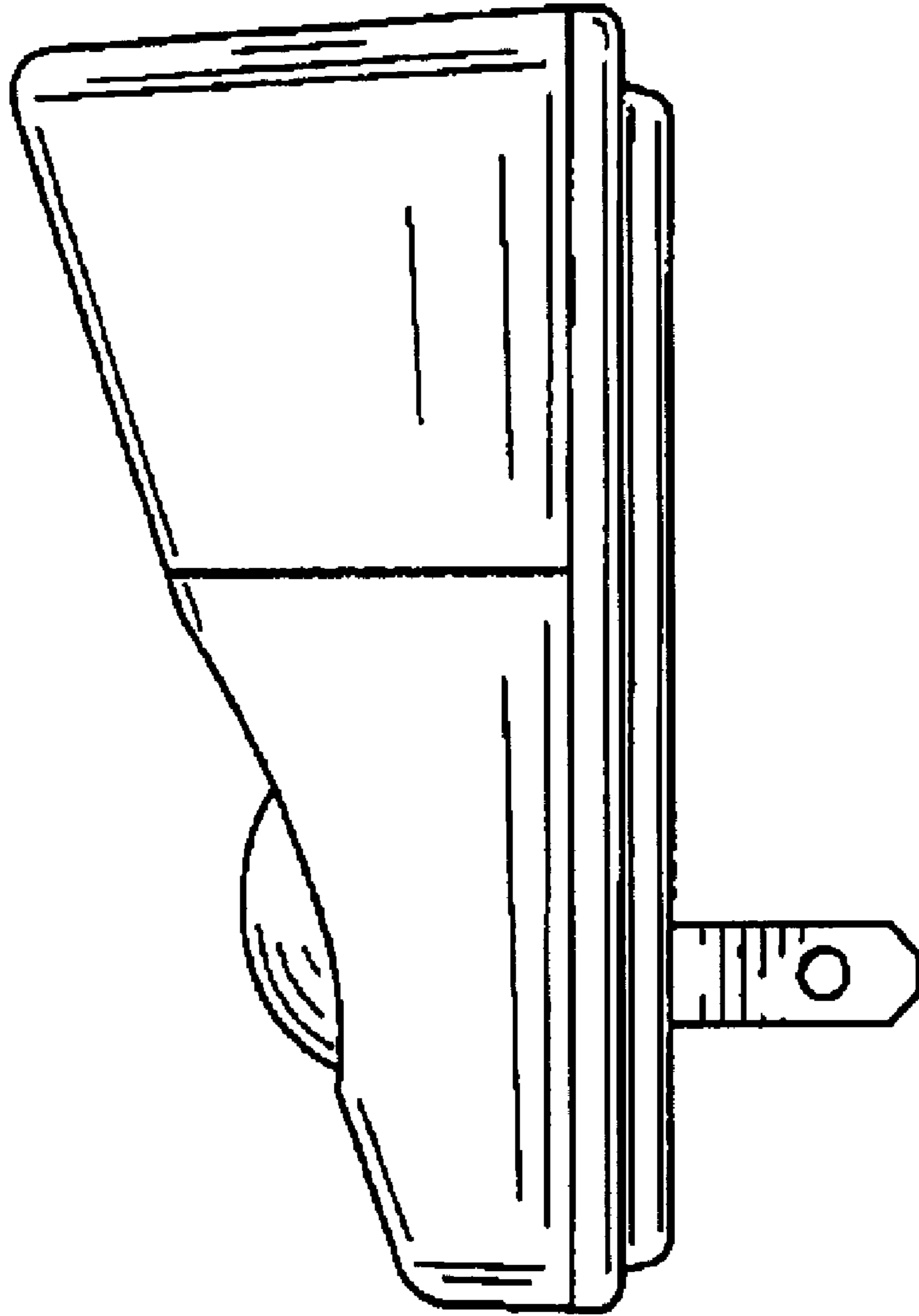
**FIG. 3**



**FIG. 4**

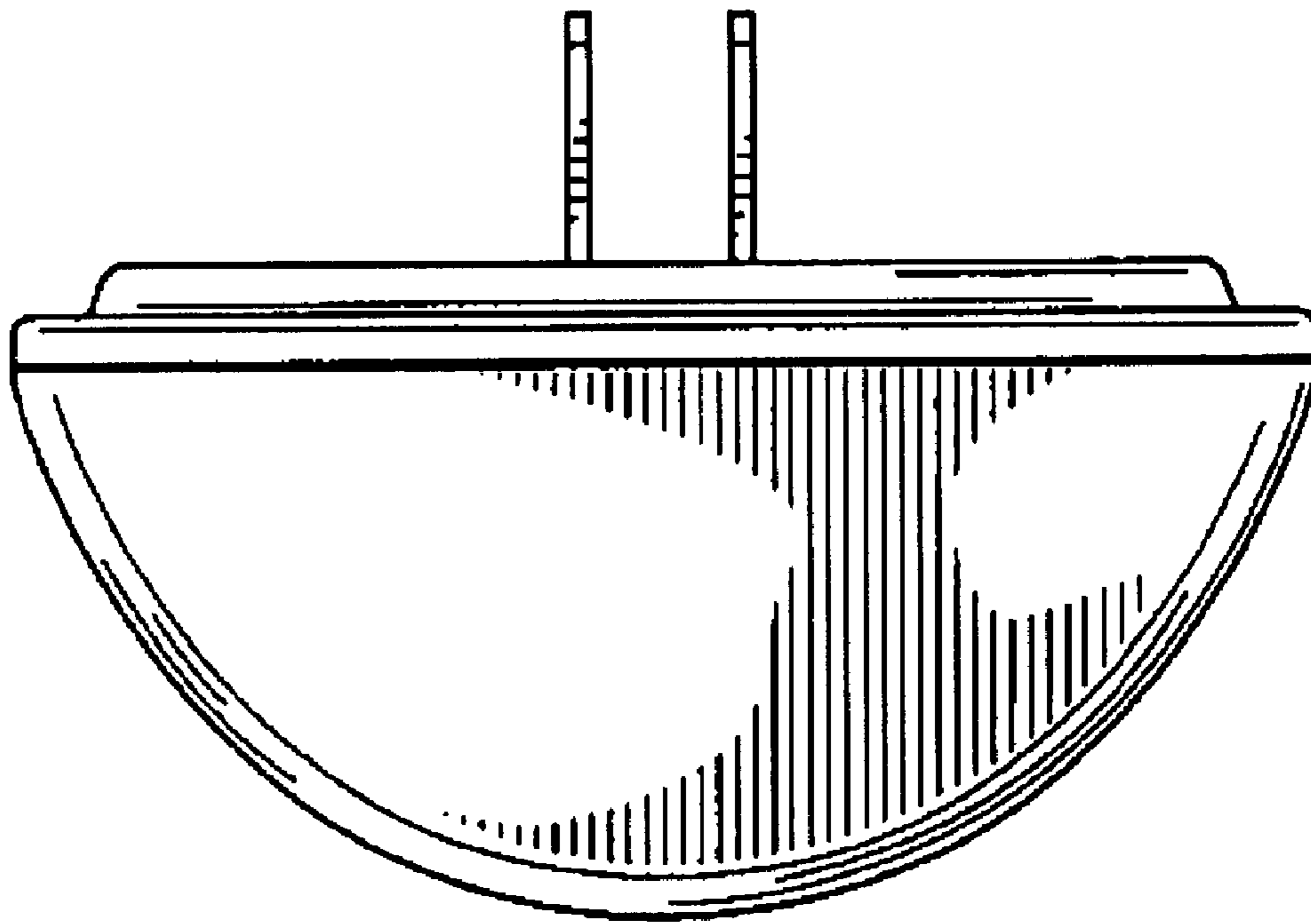


**FIG. 5**



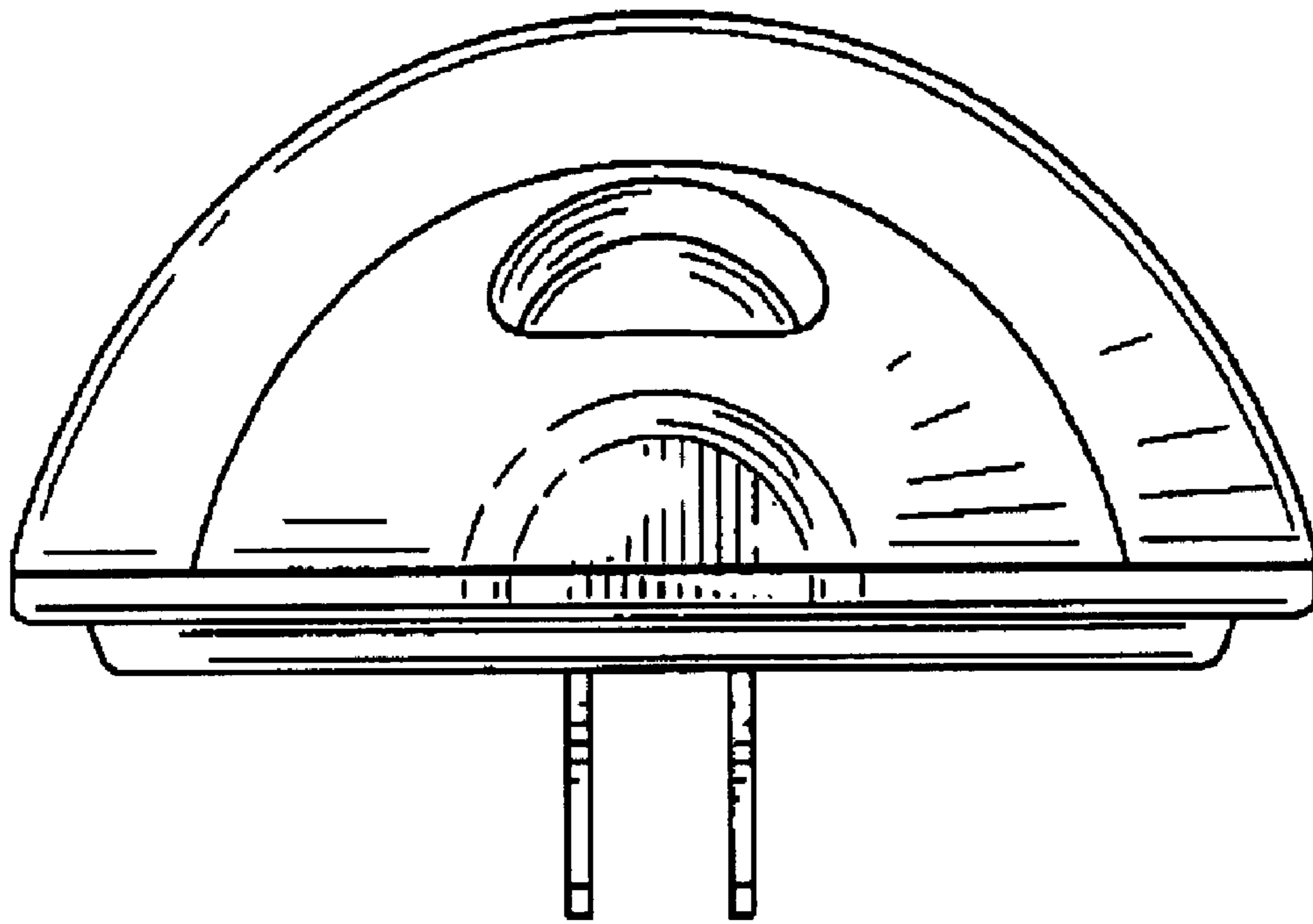
**FIG. 6**





**FIG. 7**





**FIG. 8**