



US00D536804S

(12) **United States Design Patent**
Yuen

(10) **Patent No.:** **US D536,804 S**

(45) **Date of Patent:** **** Feb. 13, 2007**

(54) **LIGHT**

(76) **Inventor:** **Se Kit Yuen**, 6/F, Yau Lee Centre, 45
Hoi Yuen Road, Kwun Tong, Kowloon,
Hong Kong (HK)

(**) **Term:** **14 Years**

(21) **Appl. No.:** **29/246,410**

(22) **Filed:** **Apr. 7, 2006**

(51) **LOC (8) Cl.** **26-05**

(52) **U.S. Cl.** **D26/26**

(58) **Field of Classification Search** D26/24,
D26/26, 37, 60, 67, 72, 77, 113, 118, 119,
D26/124, 139; D23/366, 367; 362/640-4,
362/652-3

See application file for complete search history.

(56) **References Cited**

U.S. PATENT DOCUMENTS

D62,542 S * 6/1923 Anderson D26/88
D63,205 S * 10/1923 Toensfeldt D26/24

D169,960 S * 7/1953 Brill et al. D23/366
D207,500 S * 4/1967 Mallyn D26/118
D214,186 S * 5/1969 Meltzer D26/85
D472,010 S * 3/2003 Kuelbs et al. D26/113

* cited by examiner

Primary Examiner—Alan P. Douglas

Assistant Examiner—Angela J. Lee

(74) *Attorney, Agent, or Firm*—Akerman Senterfitt

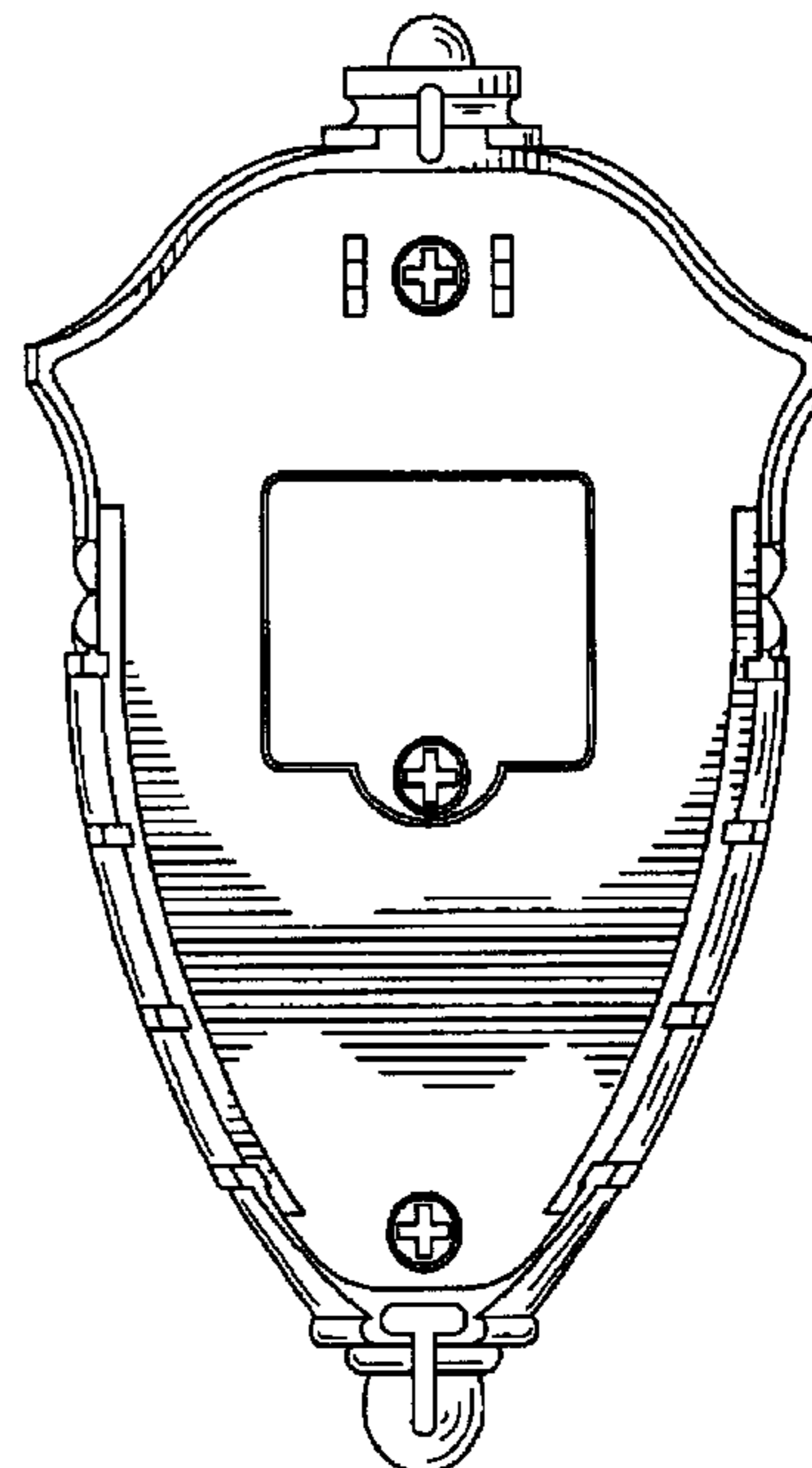
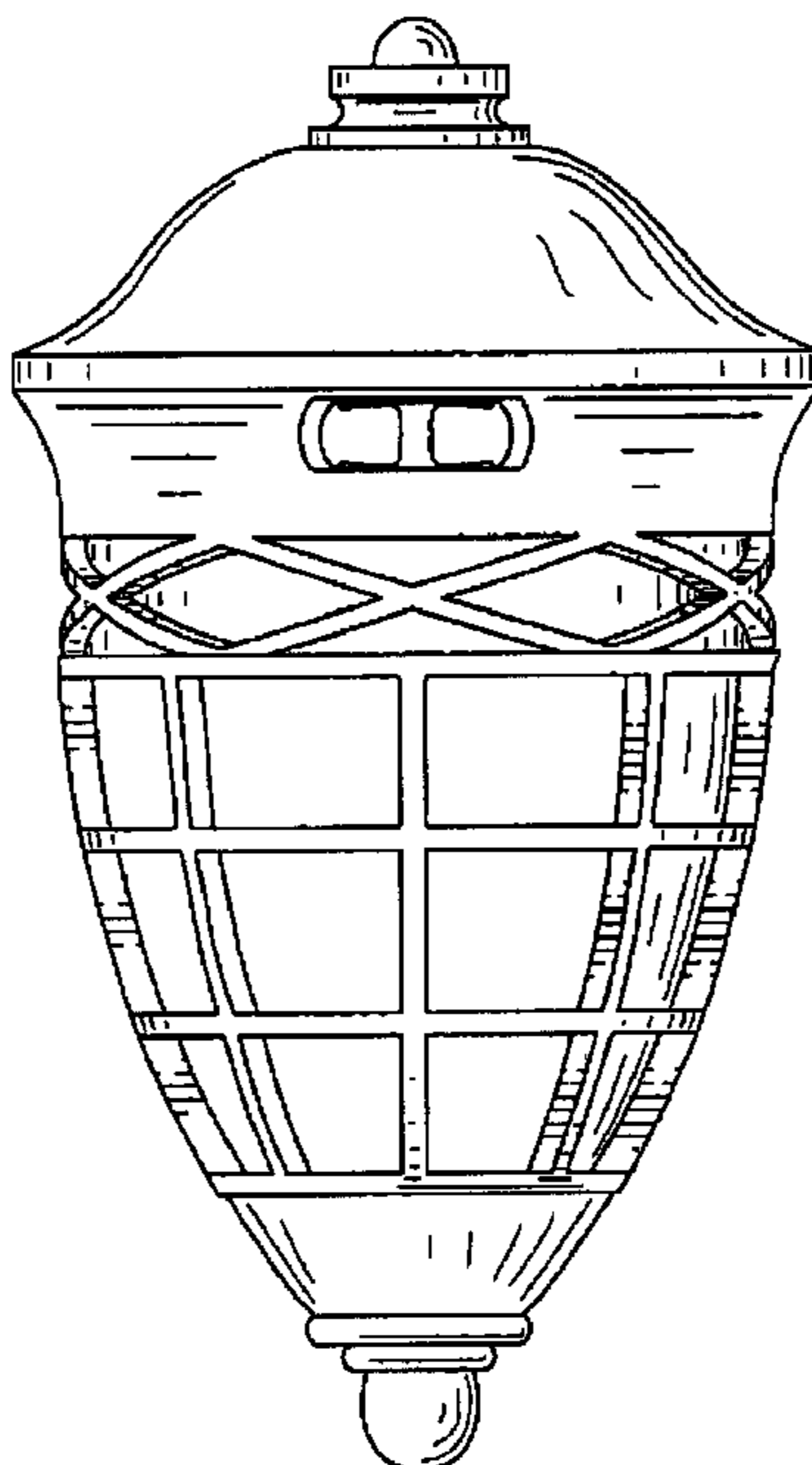
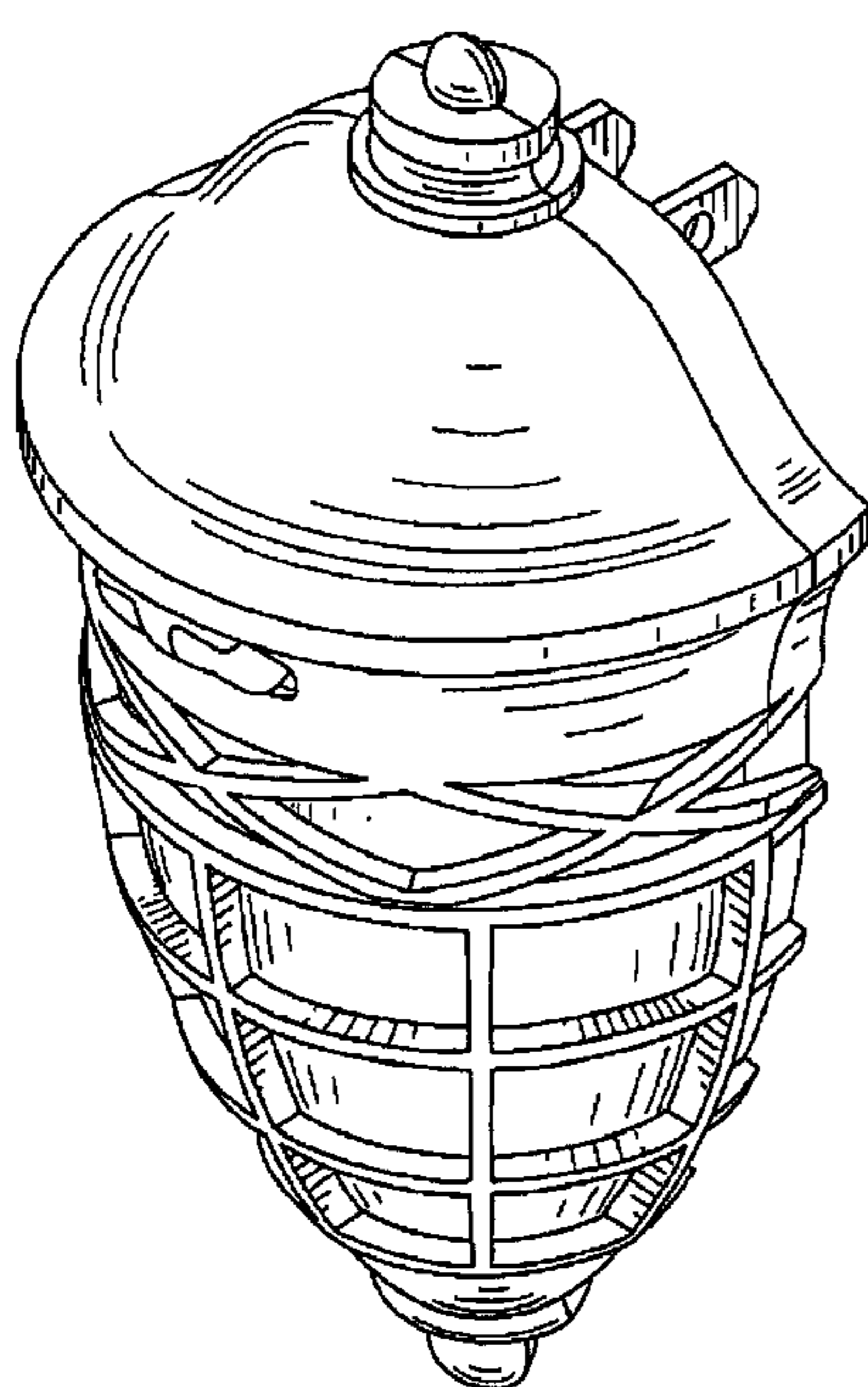
(57) **CLAIM**

The ornamental design for a light, as shown and described.

DESCRIPTION

FIG. 1 is a perspective view of the light;
FIG. 2 is a front view thereof;
FIG. 3 is a rear view thereof;
FIG. 4 is a left side view thereof;
FIG. 5 is a right side view thereof;
FIG. 6 is a top view thereof; and,
FIG. 7 is a bottom view thereof.

1 Claim, 7 Drawing Sheets



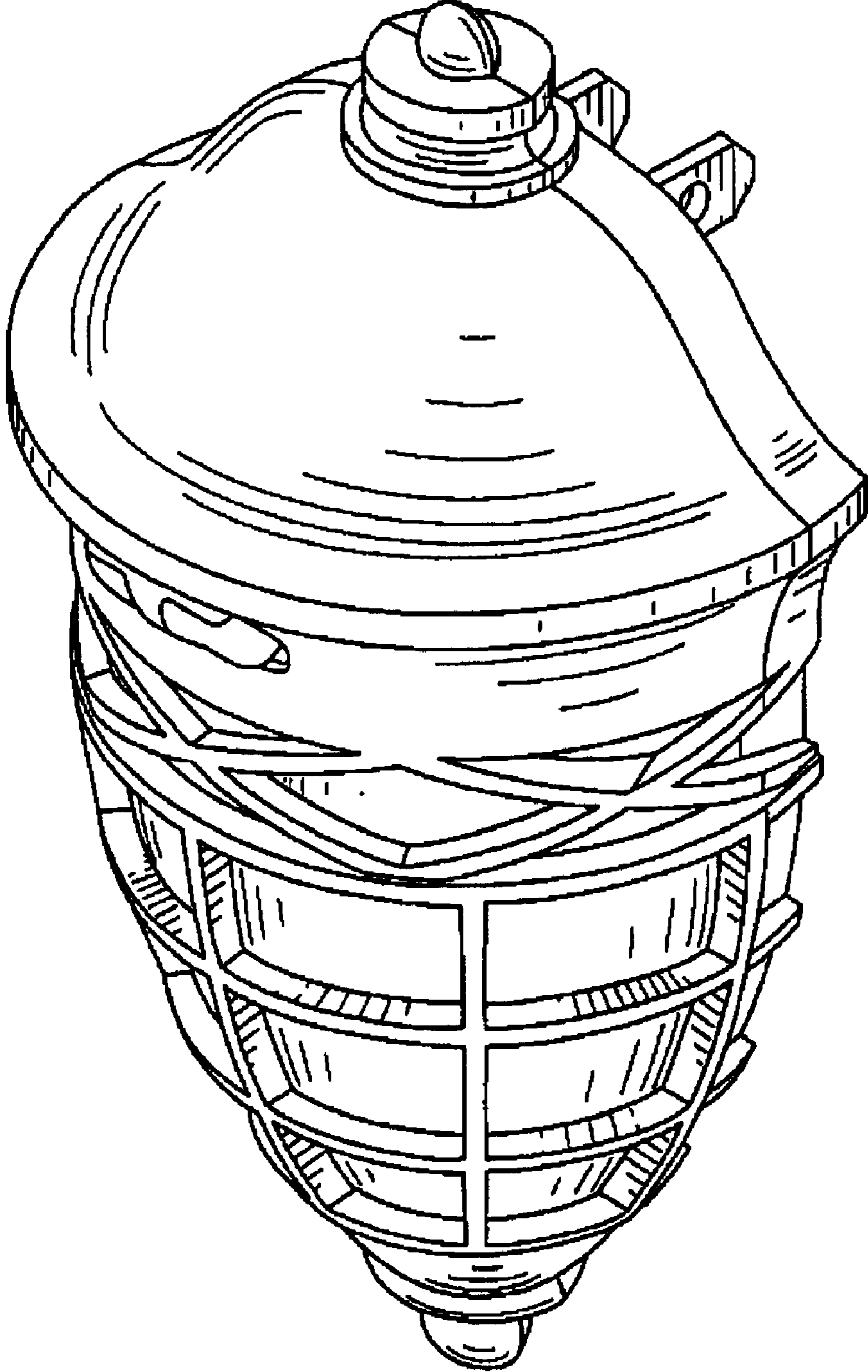


FIG. 1

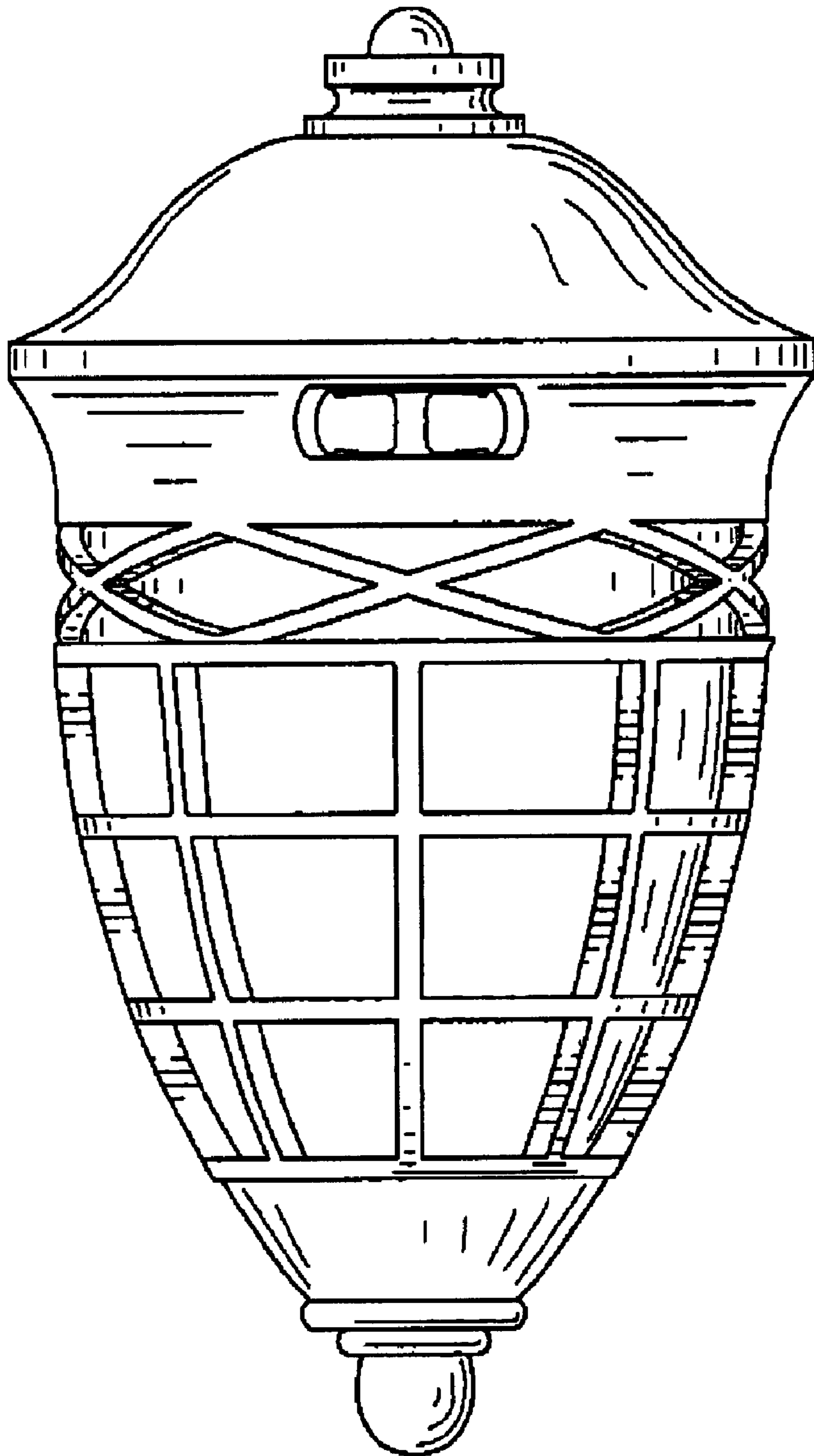


FIG. 2

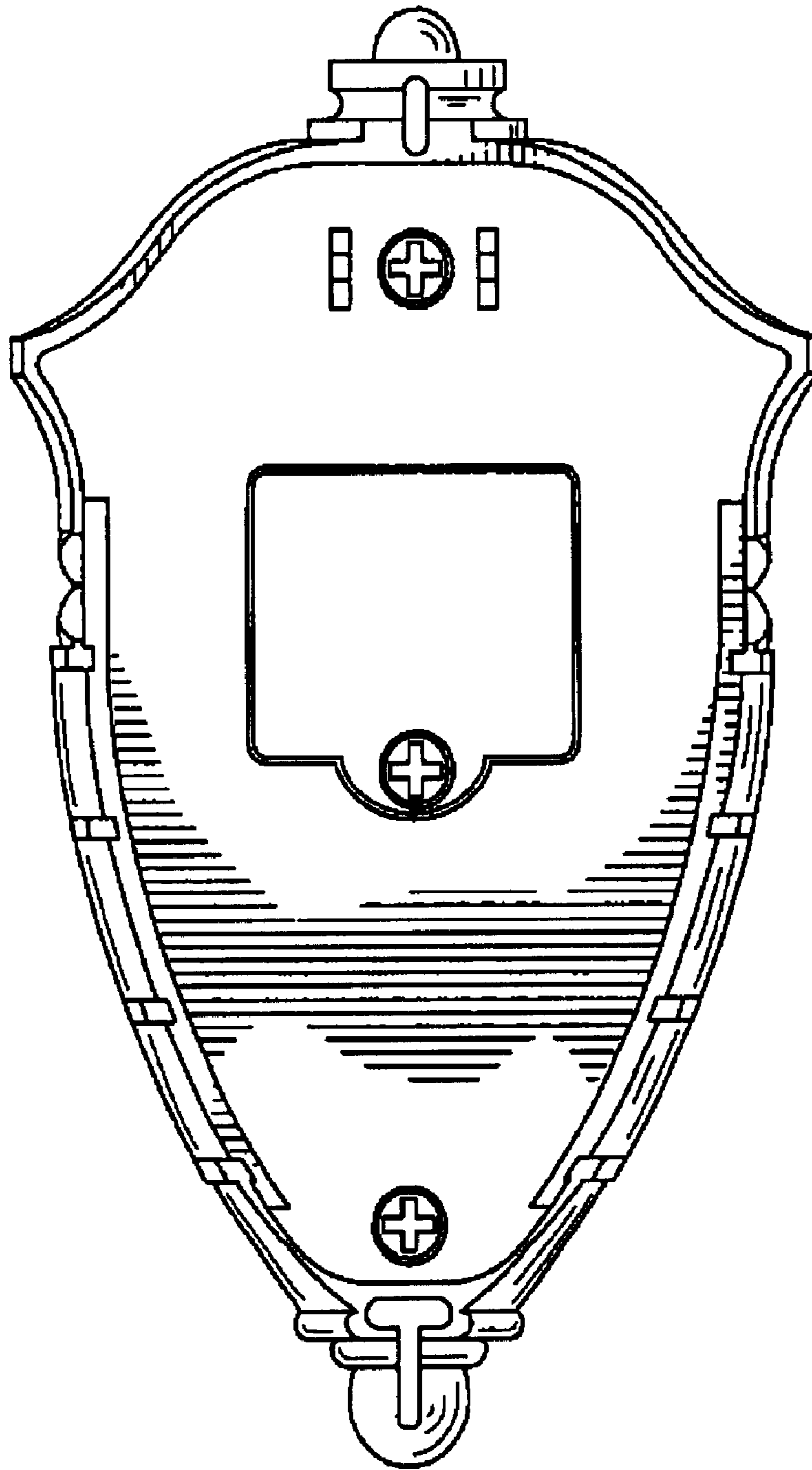


FIG. 3

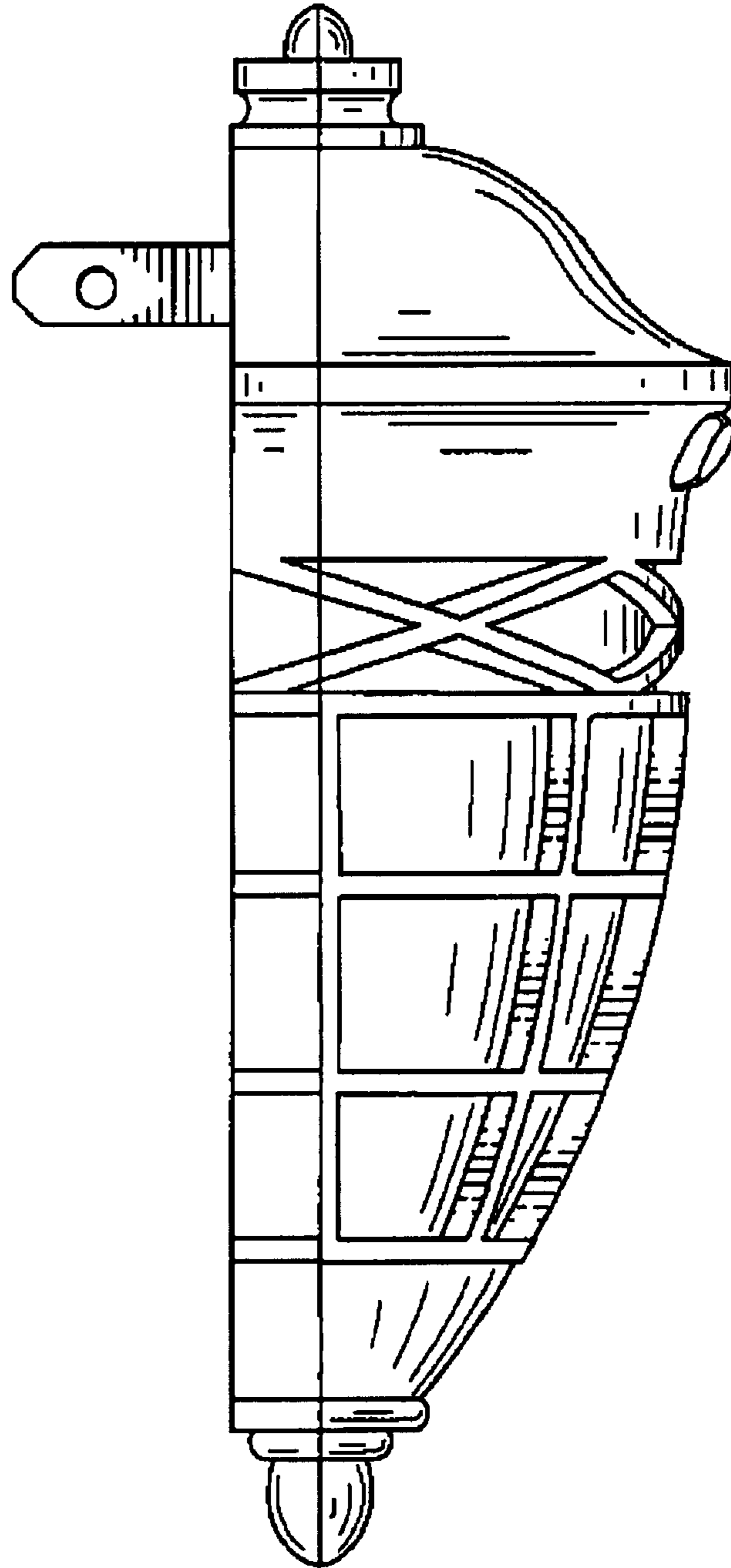


FIG. 4

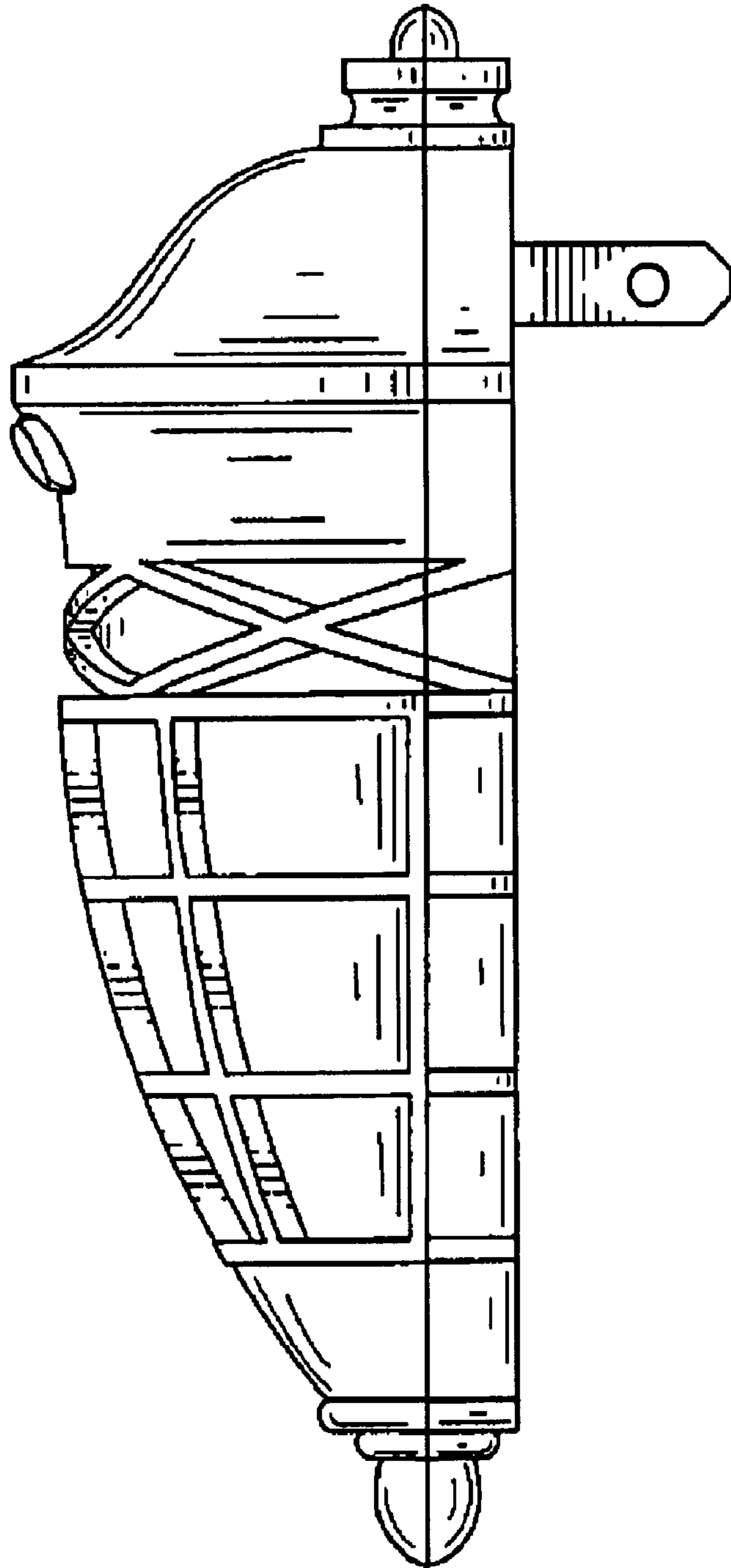


FIG. 5

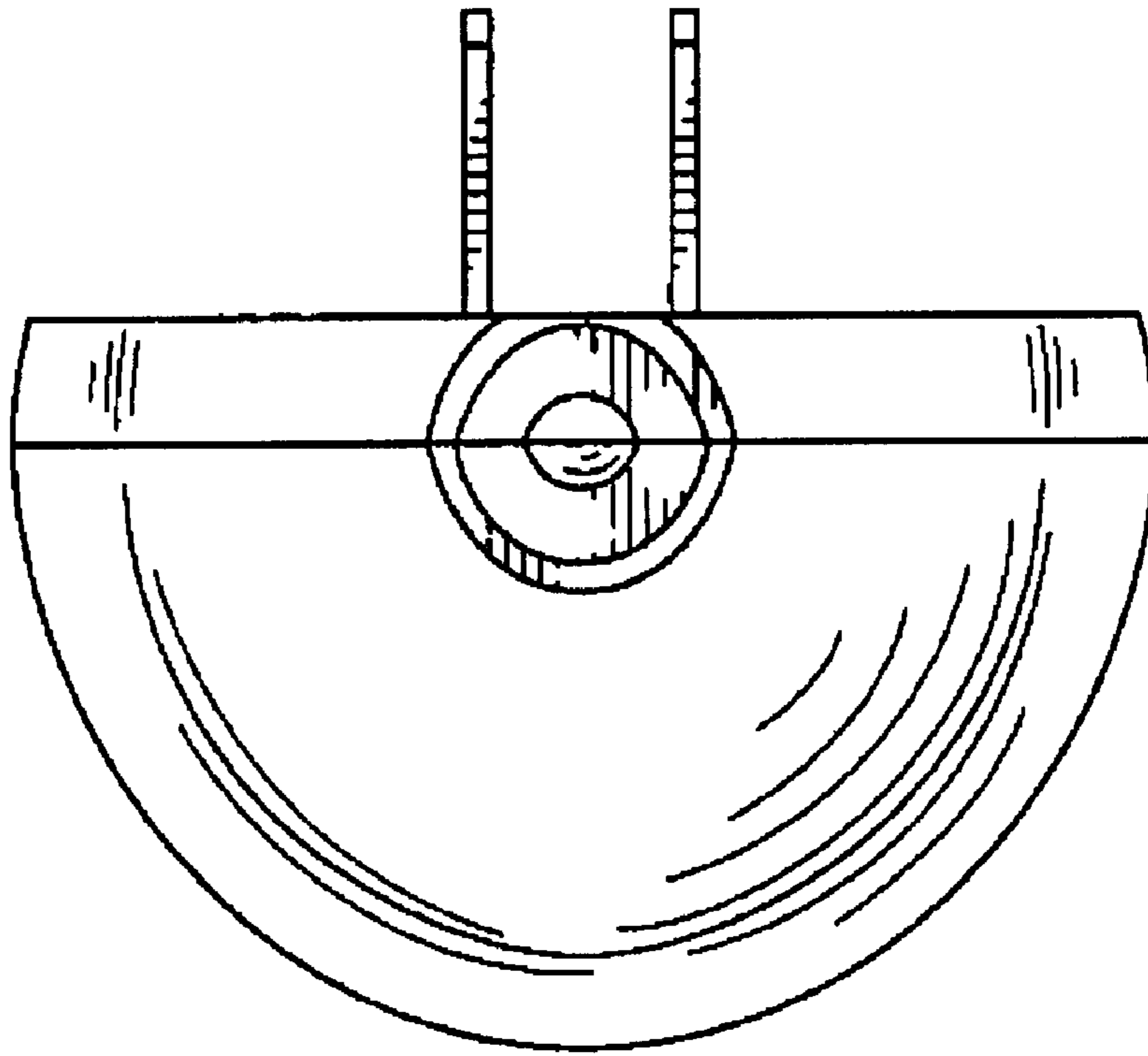


FIG. 6

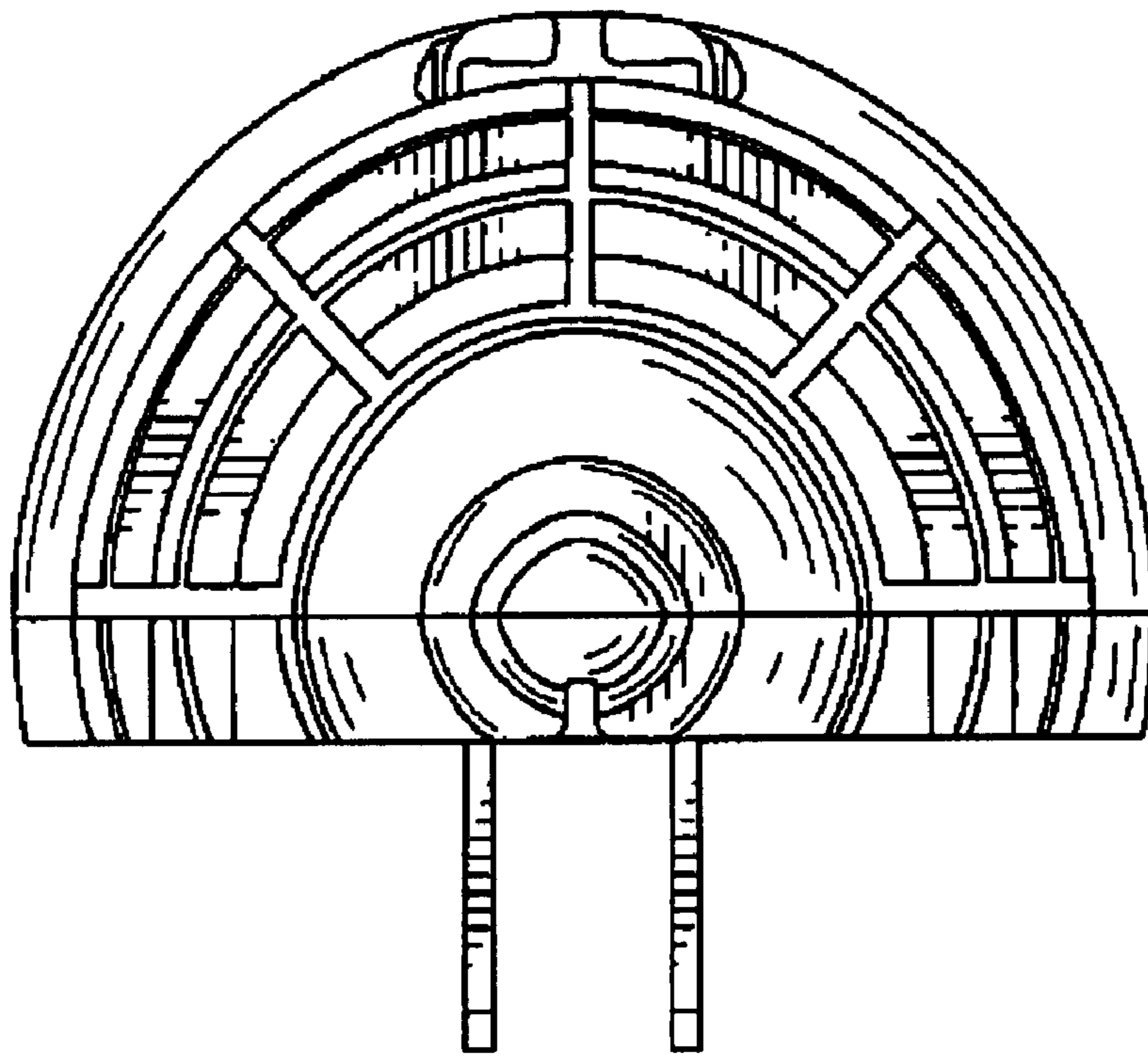


FIG. 7