



US00D536801S

(12) **United States Design Patent**  
**Aughton et al.**

(10) **Patent No.:** **US D536,801 S**  
(45) **Date of Patent:** **\*\* Feb. 13, 2007**

(54) **EXTRUSION FOR USE WITH A GATE PANEL**

(75) Inventors: **David Aughton**, Essendon (AU);  
**Trevor Tennant**, Shepparton (AU);  
**Robert Greig**, Nathalia (AU)

(73) Assignee: **Rubicon Research Pty Ltd.**, Victoria (AU)

(\*\*) Term: **14 Years**

(21) Appl. No.: **29/217,175**

(22) Filed: **Nov. 12, 2004**

(30) **Foreign Application Priority Data**

May 14, 2004 (AU) ..... 1829/04

(51) **LOC (8) Cl.** ..... **25-01**

(52) **U.S. Cl.** ..... **D25/124**

(58) **Field of Classification Search** ..... D25/43,  
D25/124, 126; 405/87, 52, 80, 86, 95, 105,  
405/100; 256/12.5, 13, 13.1; 52/204.1  
See application file for complete search history.

(56) **References Cited**

**U.S. PATENT DOCUMENTS**

31,836 A	3/1861	Taylor	
109,984 A	12/1870	Whitney	
344,878 A	7/1886	Tainter	
344,879 A	7/1886	Tainter	
1,377,921 A	5/1921	Peterson	
1,455,586 A	5/1923	Hajek	
1,544,996 A	7/1925	Laufer	
2,317,975 A	5/1943	Boath et al.	
2,909,899 A	10/1959	Ramsden et al.	
3,693,355 A *	9/1972	Dubouchet	405/97
4,022,429 A	5/1977	Yonekura	
D253,491 S *	11/1979	Limmergard et al.	D25/124
4,332,507 A	6/1982	Wakamori	
4,498,809 A	2/1985	Farmer	
4,522,534 A	6/1985	Wakamori et al.	
4,726,709 A	2/1988	Labelle	
4,772,157 A	9/1988	Obermeyer	
4,848,962 A	7/1989	Wipps	

D308,729 S *	6/1990	Dallaire et al.	D25/124
D356,418 S *	3/1995	Makimura	D34/35
5,460,462 A	10/1995	Regan	
5,516,230 A	5/1996	Barger et al.	
5,591,286 A *	1/1997	Suenaga et al.	156/71
5,613,803 A	3/1997	Parrish	
5,708,211 A	1/1998	Jepson et al.	
5,758,989 A *	6/1998	Snowberger	405/80
5,833,388 A *	11/1998	Edwards et al.	405/52
5,868,159 A	2/1999	Loan et al.	
5,984,575 A	11/1999	Knott	
D418,394 S *	1/2000	King	D8/354
D499,494 S *	12/2004	Tjakra et al.	D25/60

**FOREIGN PATENT DOCUMENTS**

CH	188255	3/1937
CH	640 289	12/1983

(Continued)

**OTHER PUBLICATIONS**

International Search Report; ref. PCT/AU01/10136, Nov. 19, 2001.  
International Search Report, ref: PCT/AU02/00230, Jun. 17, 2002.

(Continued)

*Primary Examiner*—Doris Clark  
(74) *Attorney, Agent, or Firm*—Leah Sherry; Brown Raysman et al.

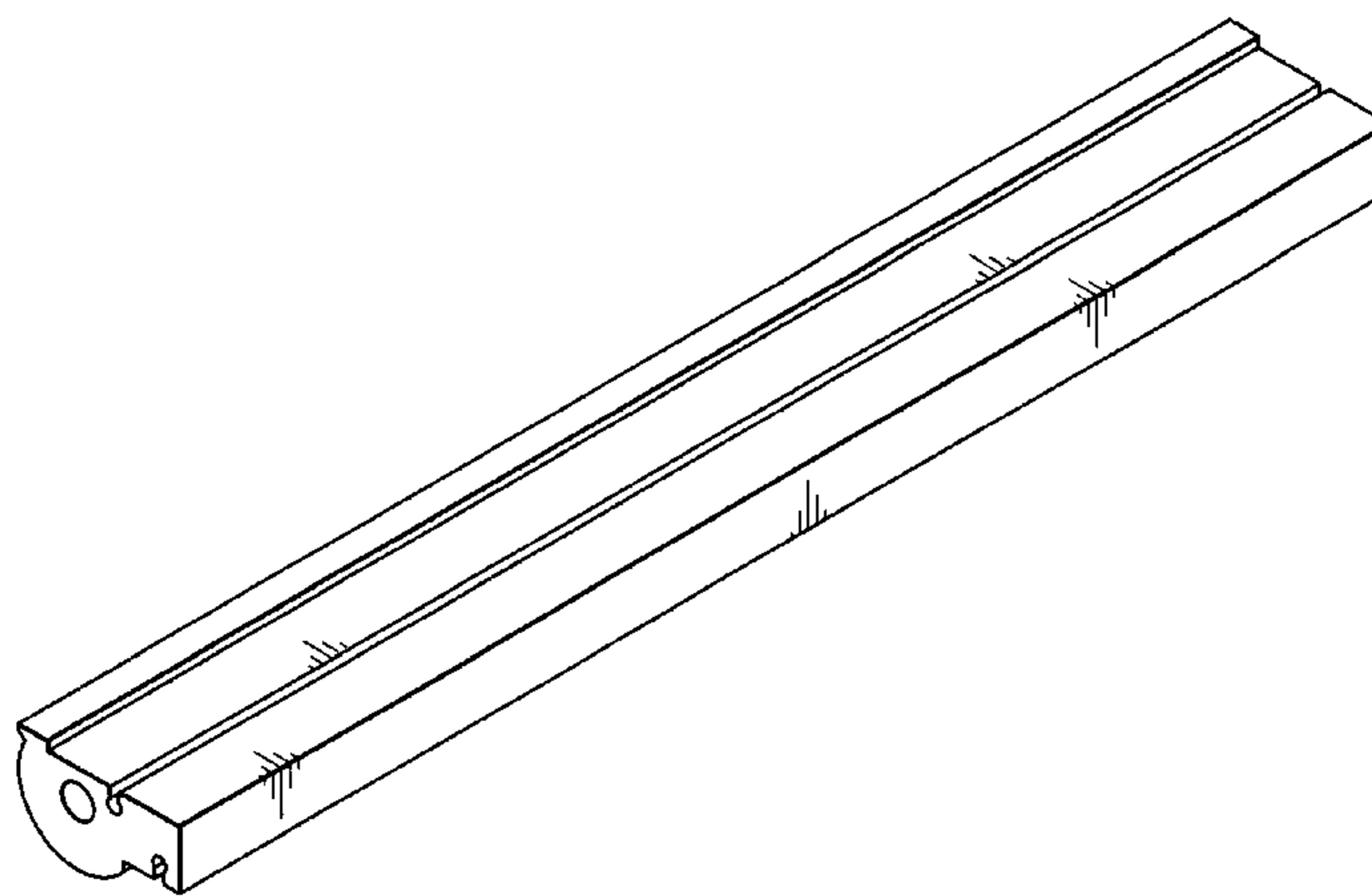
(57) **CLAIM**

The ornamental design of an extrusion for use with a gate panel, as shown and described.

**DESCRIPTION**

FIG. 1 is a side elevational view of the extrusion for use with a gate panel.  
FIG. 2 is a perspective view thereof.  
FIG. 3 is a side elevational view of a second embodiment of the extrusion for use with a gate panel.  
FIG. 4 is a perspective view thereof.  
FIG. 5 is a side elevational view of a third embodiment of the extrusion for use with a gate panel; and,  
FIG. 6 is a perspective view thereof.

**1 Claim, 3 Drawing Sheets**



FOREIGN PATENT DOCUMENTS

DE	696 613	9/1940
DE	1 080 934	3/1958
DE	1 103 857	3/1961
DE	1 103 875	4/1961
DE	2 247 453	4/1974
DE	29 35 015 A1	3/1981
EP	0345180	12/1989
FR	2594896	8/1987
FR	2685367	6/1993
GB	2302723	1/1997
JP	60-88711	3/1994
JP	8120654	5/1996
JP	8326040	12/1996
JP	9221736	8/1997
JP	10159068	6/1998
JP	10183585	7/1998
JP	11241331	9/1999
JP	11323885	11/1999

NL	1010851	6/2000
SU	768876	10/1980
SU	983179	12/1982
SU	1113462	9/1984
SU	1283284	1/1987
WO	WO 98/52002	11/1998
WO	WO 99/58768	11/1999
WO	WO 01/59221 A1	8/2001

OTHER PUBLICATIONS

Supplemental European Search Report; Application No. 01962462.6-2303/AU0101036, Applicant Rubicon Research Pty Ltd., dated Jan. 10, 2005.

European Search Report; Application No. 02700049.6-2303/AU0200230, Applicant Rubicon Research Pty Ltd., dated Jul. 12, 2004.

\* cited by examiner

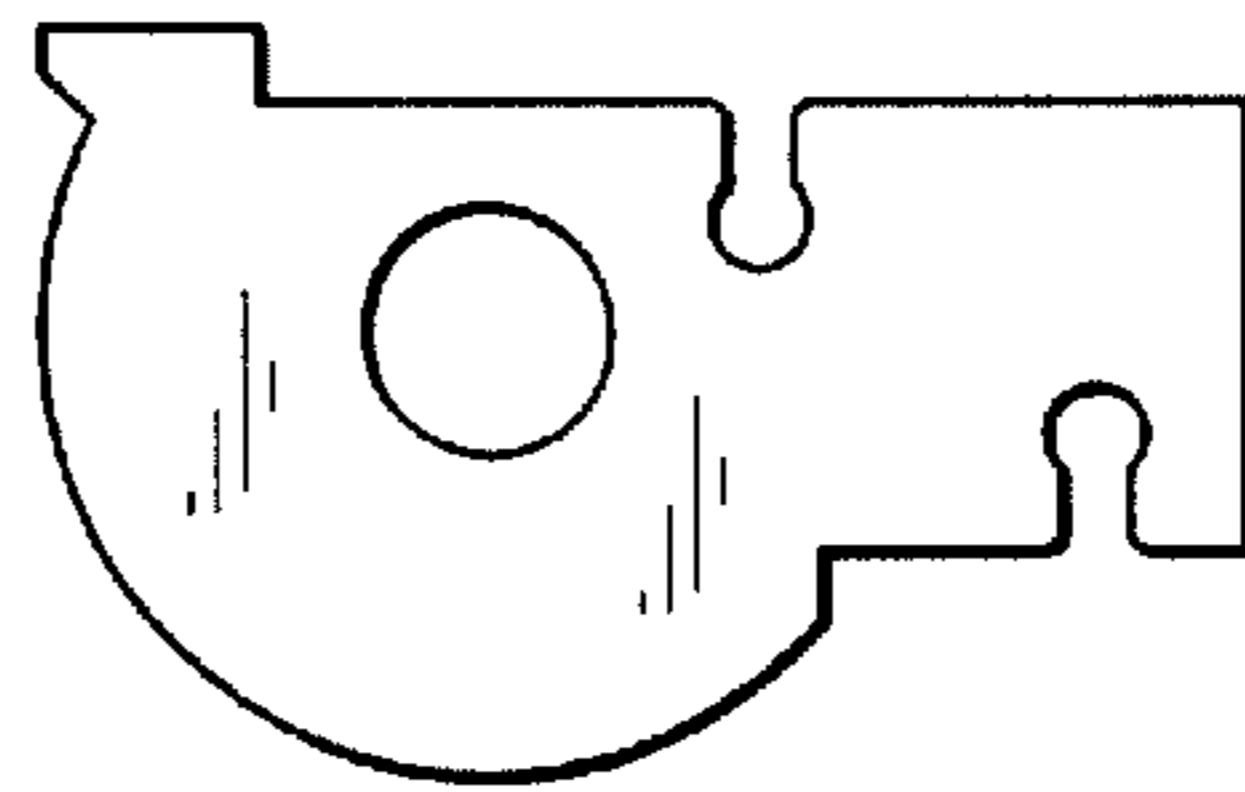


FIG. 1

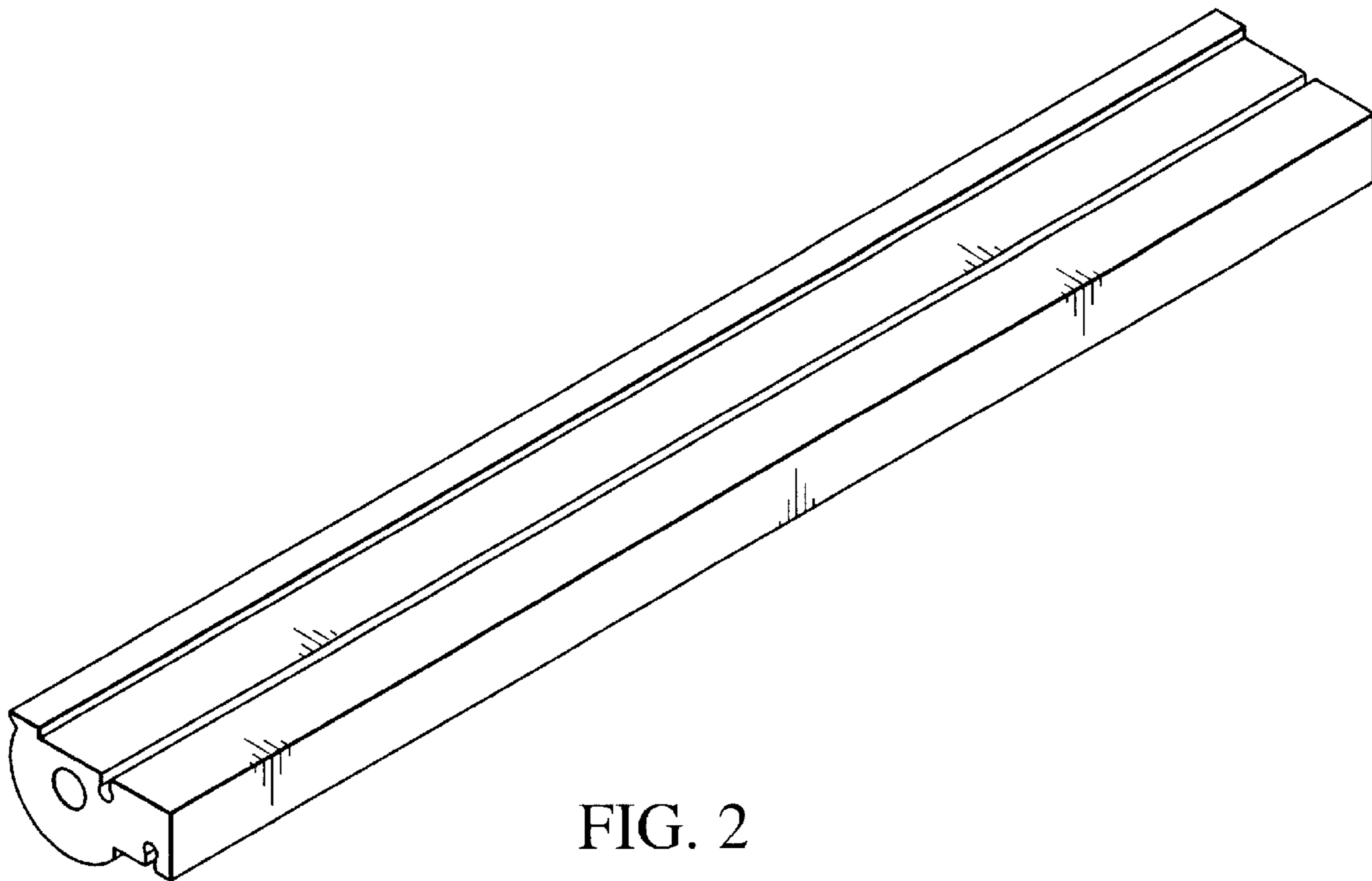


FIG. 2

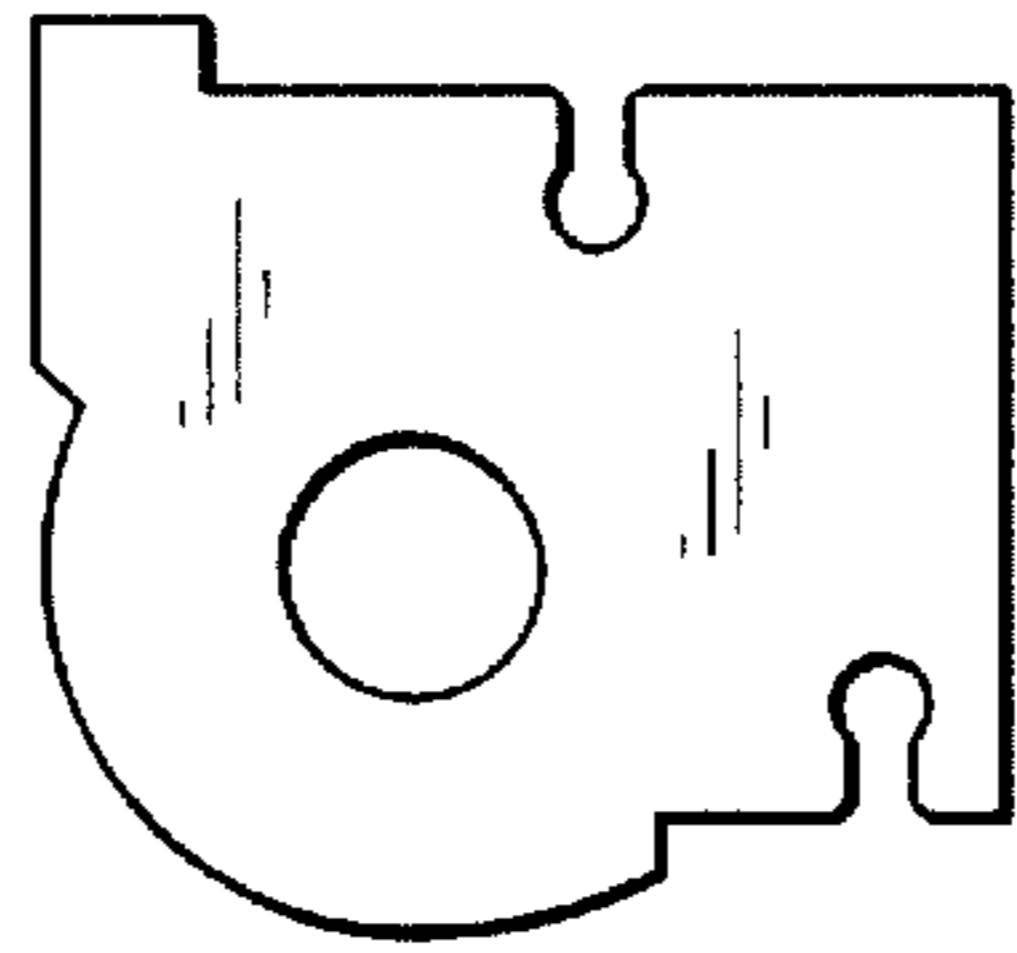


FIG. 3

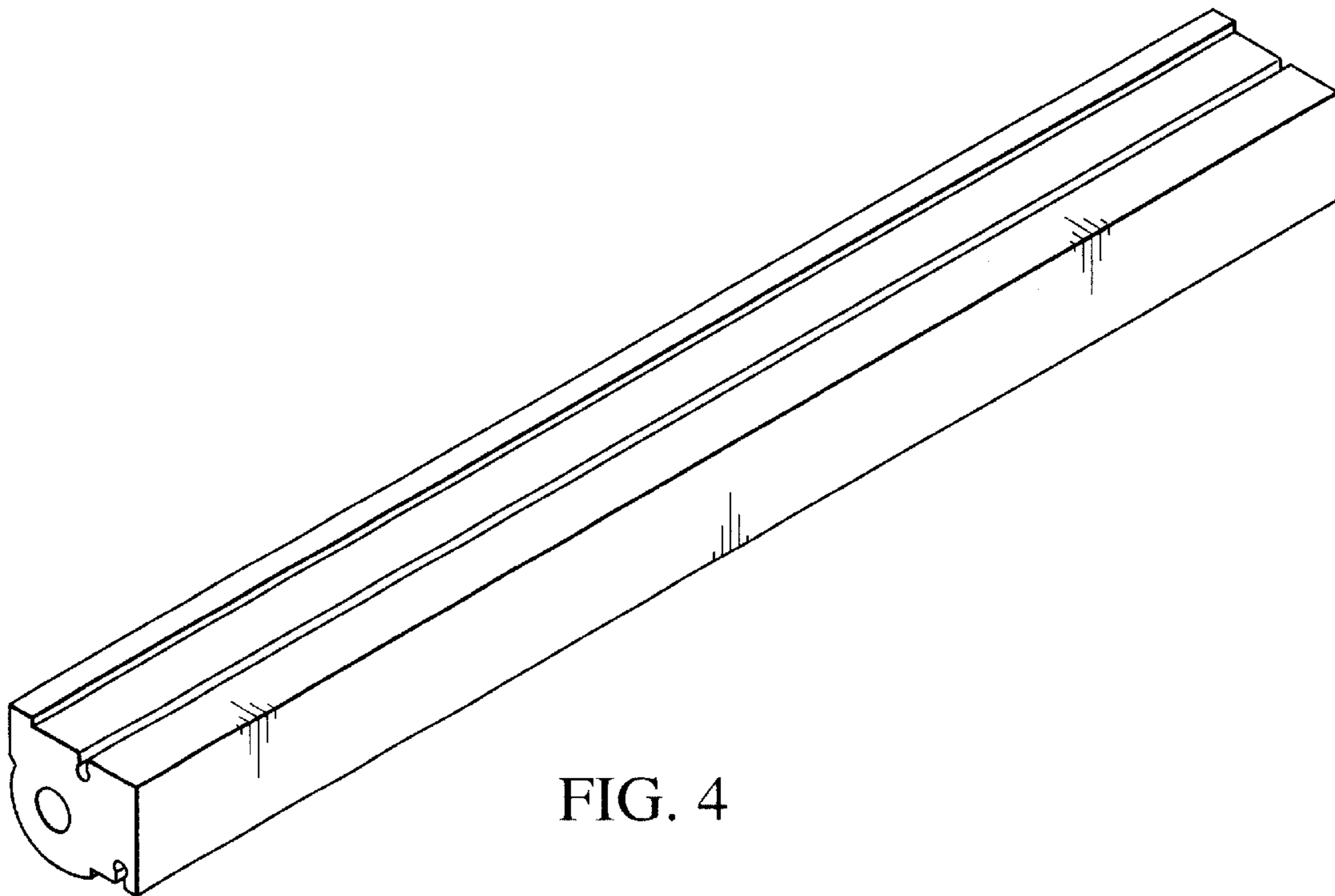


FIG. 4

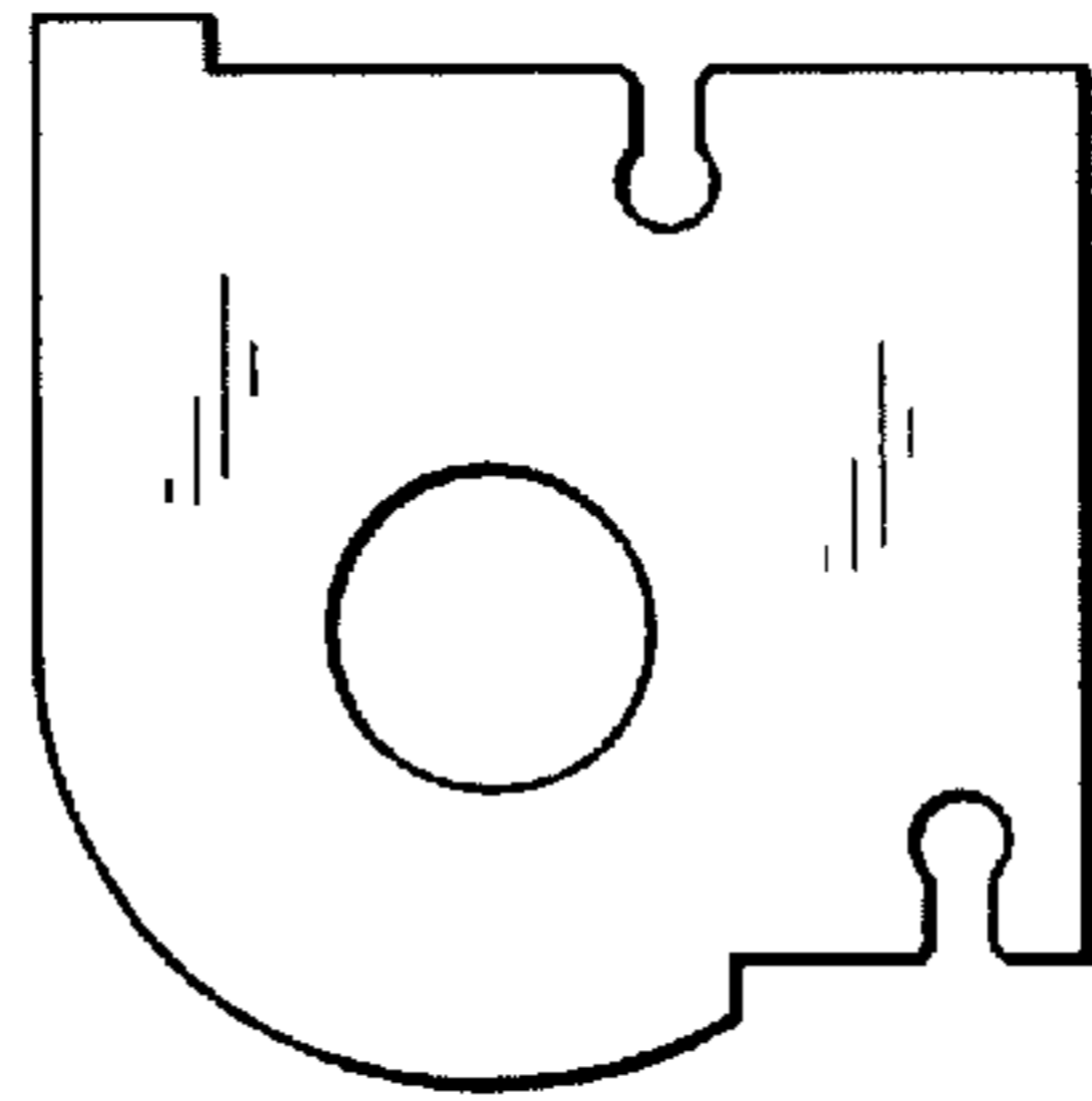


FIG. 5

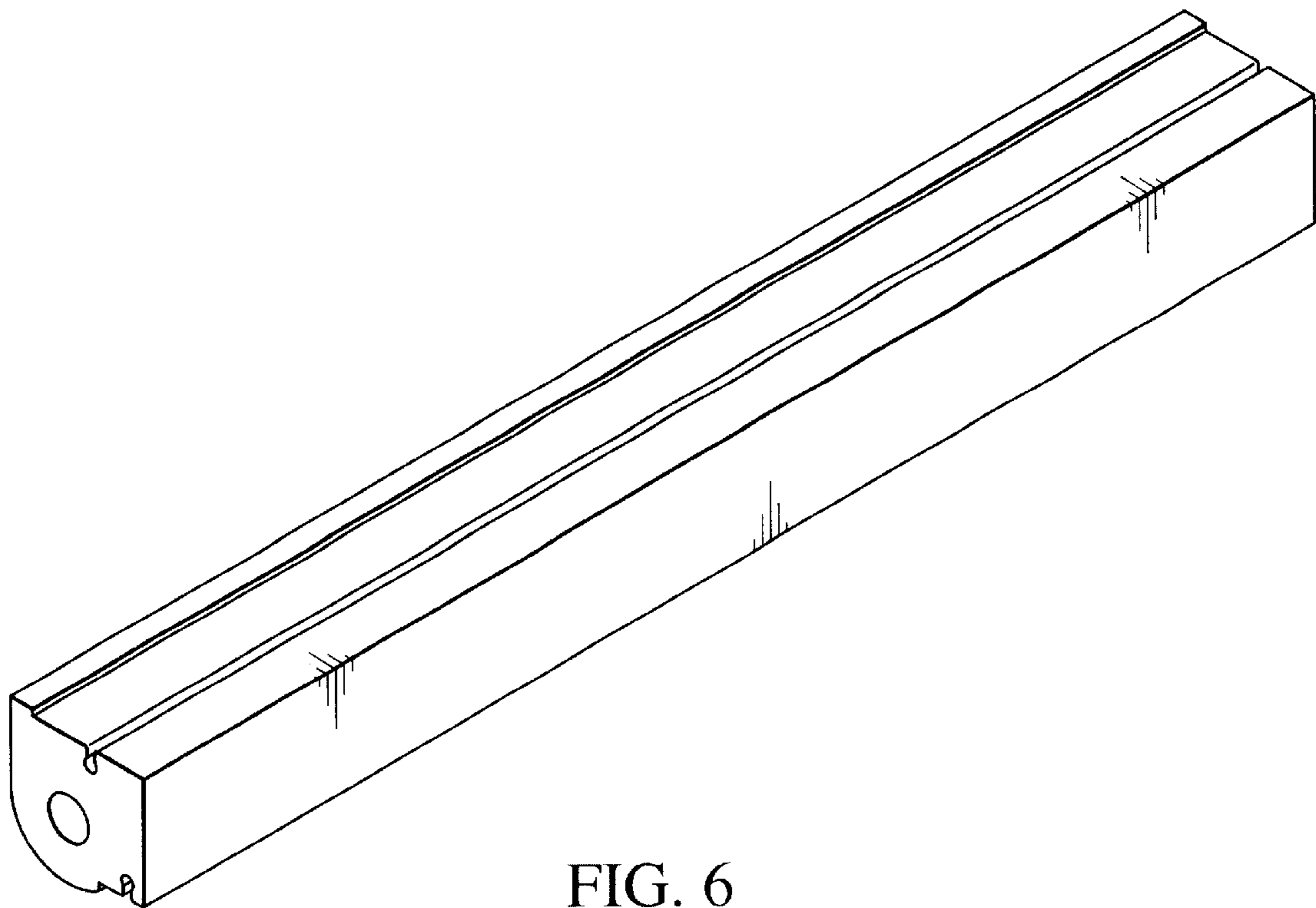


FIG. 6