

US00D536800S

(12) **United States Design Patent**
Kyle

(10) **Patent No.:** **US D536,800 S**

(45) **Date of Patent:** **** Feb. 13, 2007**

(54) **MULTIPLE ADJUSTMENT SAWHORSE**

(76) Inventor: **Brooks Kyle**, 1 Woodruff 460,
McCrary, AR (US) 72101

(**) Term: **14 Years**

(21) Appl. No.: **29/229,665**

(22) Filed: **May 10, 2005**

(51) **LOC (8) Cl.** **25-04**

(52) **U.S. Cl.** **D25/67**

(58) **Field of Classification Search** 182/181.1,
182/183.1, 186.7, 178.1, 185.1, 186.3, 224,
182/182.2, 179.1, 153, 66.1, 152, 180.1,
182/194, 21, 22, 23, 67.4, 64.1, 101, 102,
182/106, 115, 112, 120, 121, 228.1, 228.2;
D25/67

See application file for complete search history.

(56) **References Cited**

U.S. PATENT DOCUMENTS

4,298,093	A	11/1981	Wing	182/153
4,804,064	A	2/1989	Coultrup et al.	182/155
4,877,109	A	10/1989	Welch et al.	182/183
5,836,365	A	* 11/1998	Derektor	144/287
5,865,269	A	2/1999	Eskesen	182/182.2
5,904,225	A	* 5/1999	Patros	182/181.1

D472,981 S * 4/2003 Sommerville et al. D25/67

* cited by examiner

Primary Examiner—Doris Clark

(74) *Attorney, Agent, or Firm*—Keisling Piepert & Scott
PLC; David B. Pieper; Trent C. Keisling

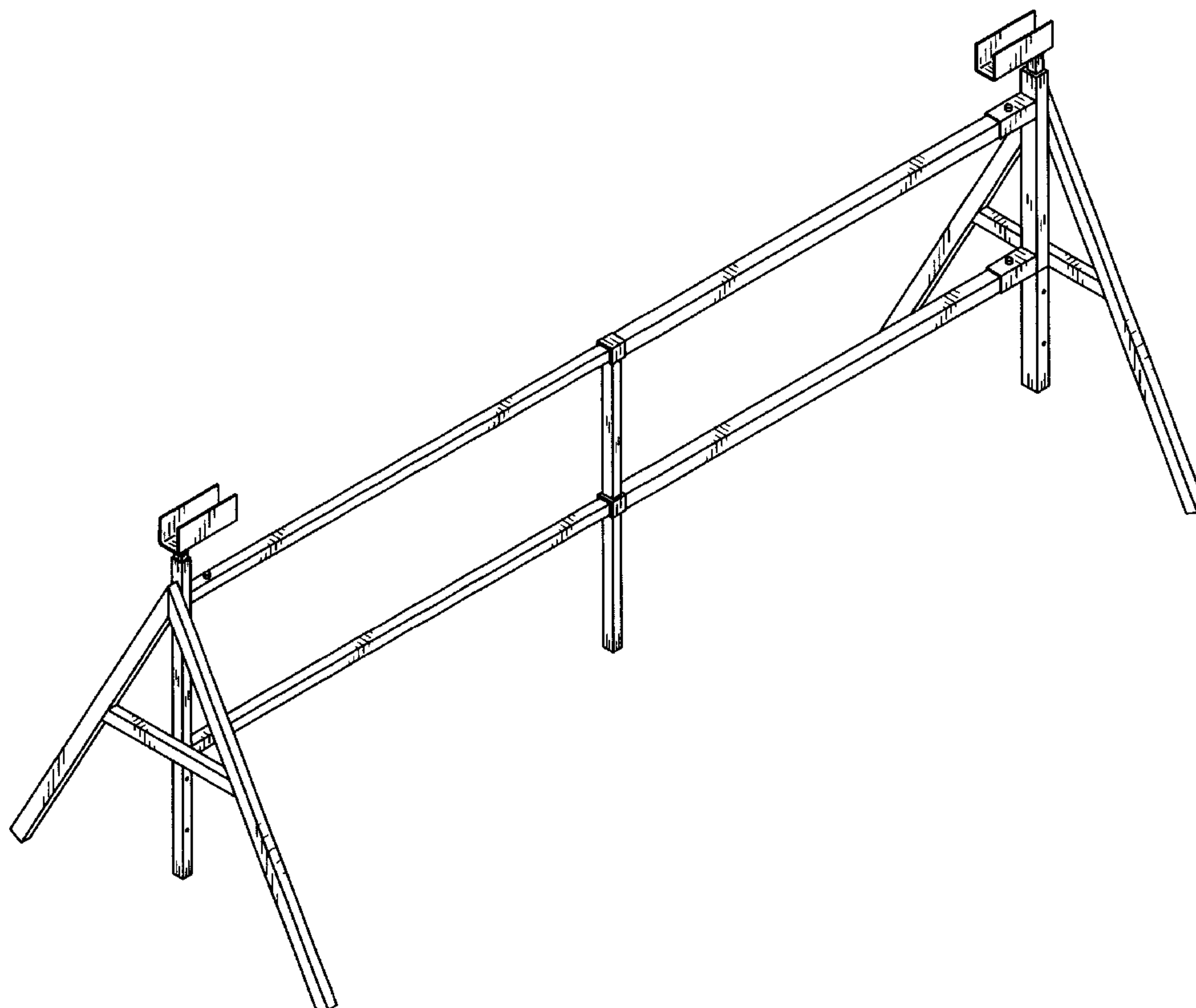
(57) **CLAIM**

The ornamental design for a multiple adjustment sawhorse,
as shown and described.

DESCRIPTION

FIG. 1 is an isometric view showing the extended position
of my multiple adjustment sawhorse;
FIG. 2 is a isometric view showing the contracted position
of my multiple adjustment sawhorse;
FIG. 3 is a right side view of the design in the contracted
position;
FIG. 4 is a front end view of the design in the contracted
position;
FIG. 5 is a left side view of the design in the contracted
position;
FIG. 6 is a back end view of the design in the contracted
position;
FIG. 7 is a top view of the design in the contracted position;
and,
FIG. 8 is a bottom view of the design in the contracted
position.

1 Claim, 5 Drawing Sheets



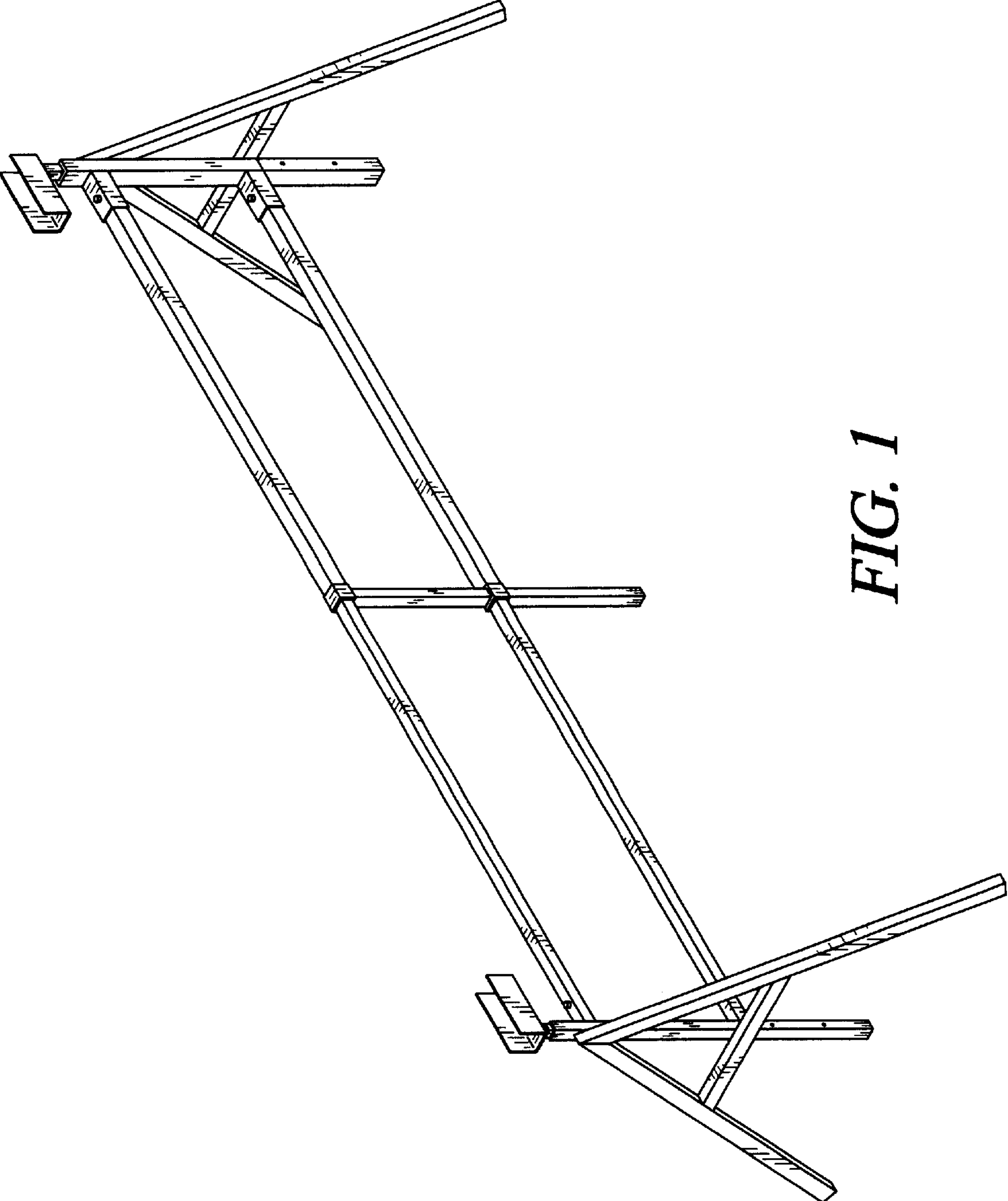


FIG. 1

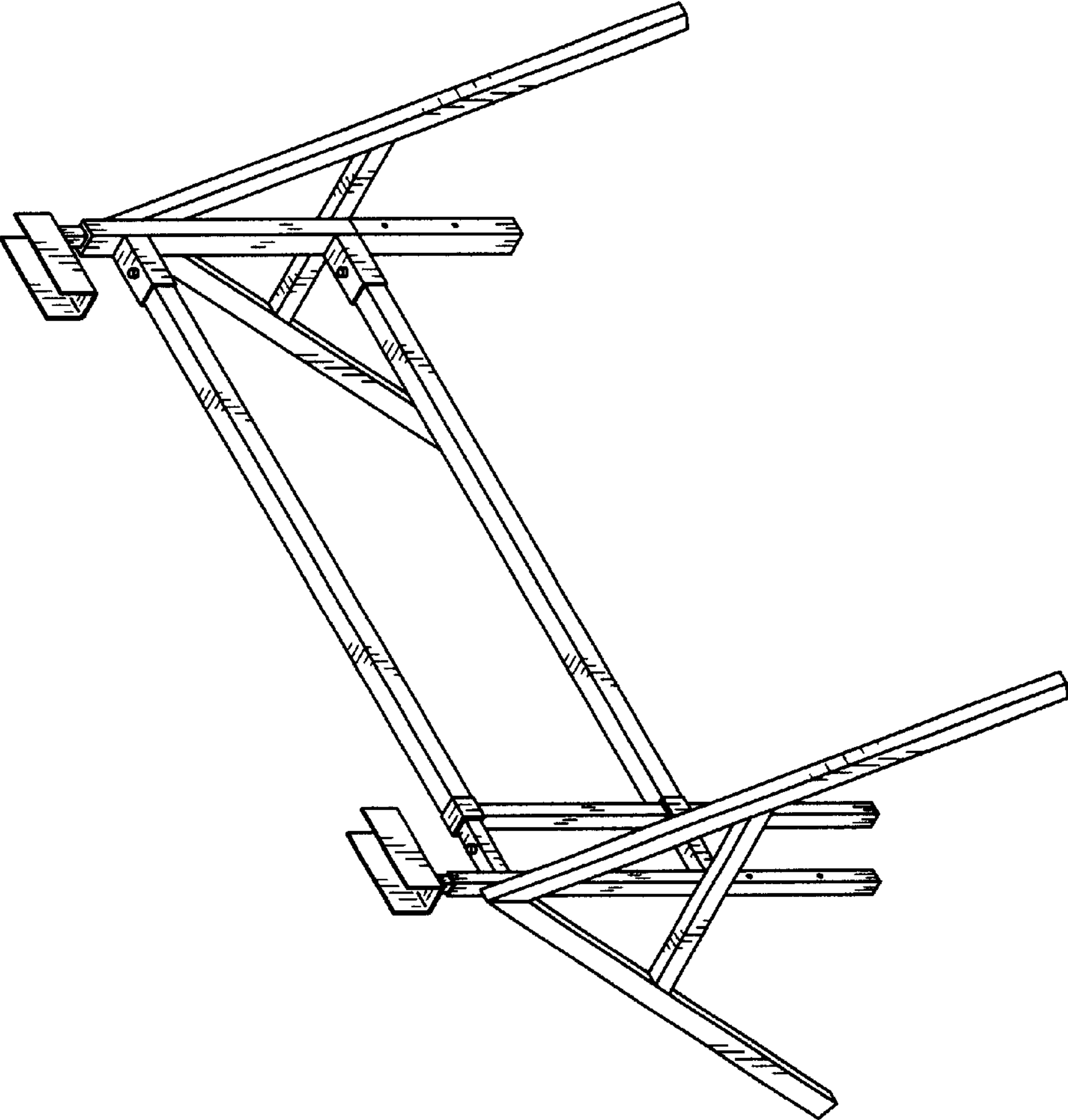


FIG. 2

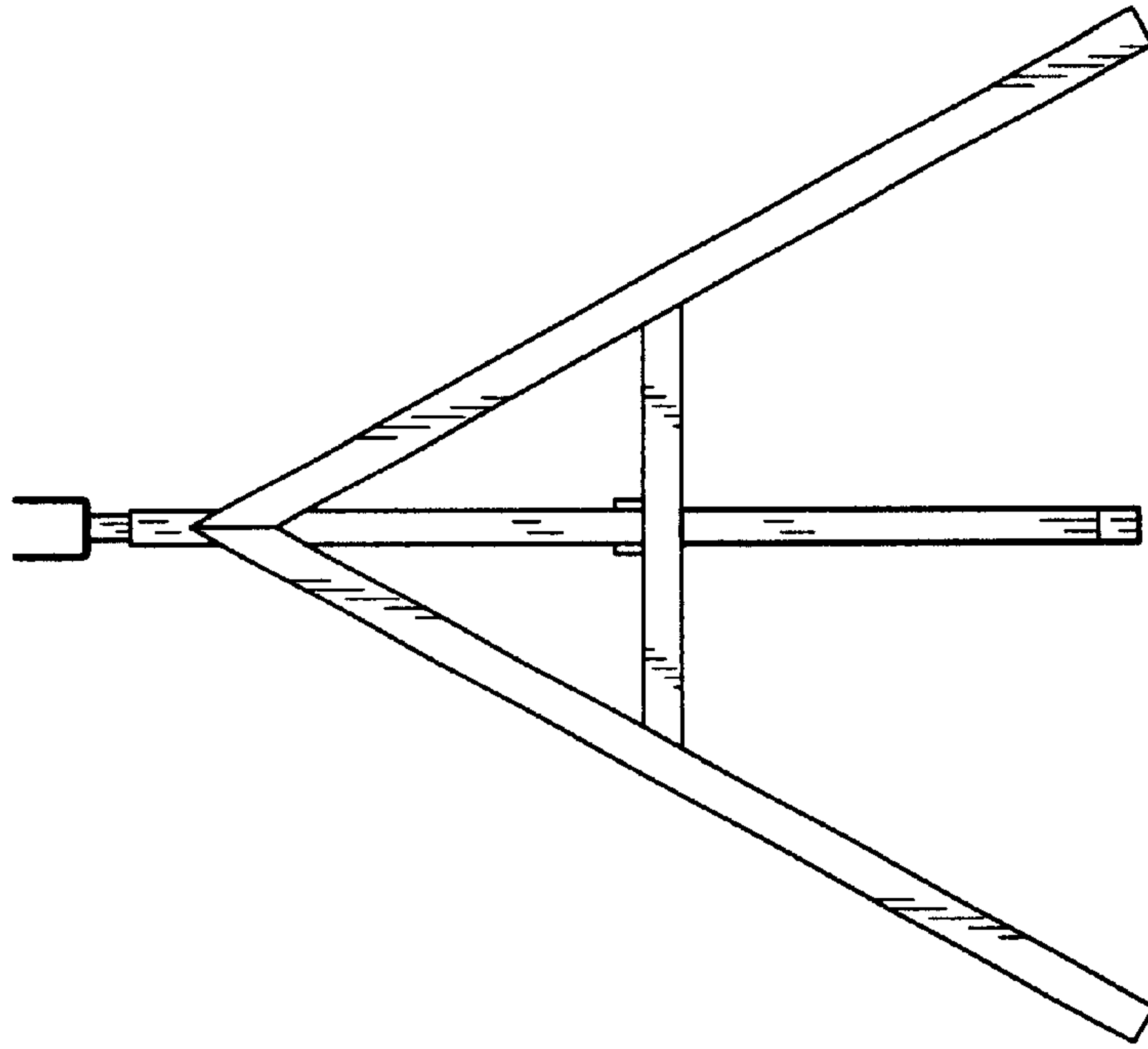


FIG. 4

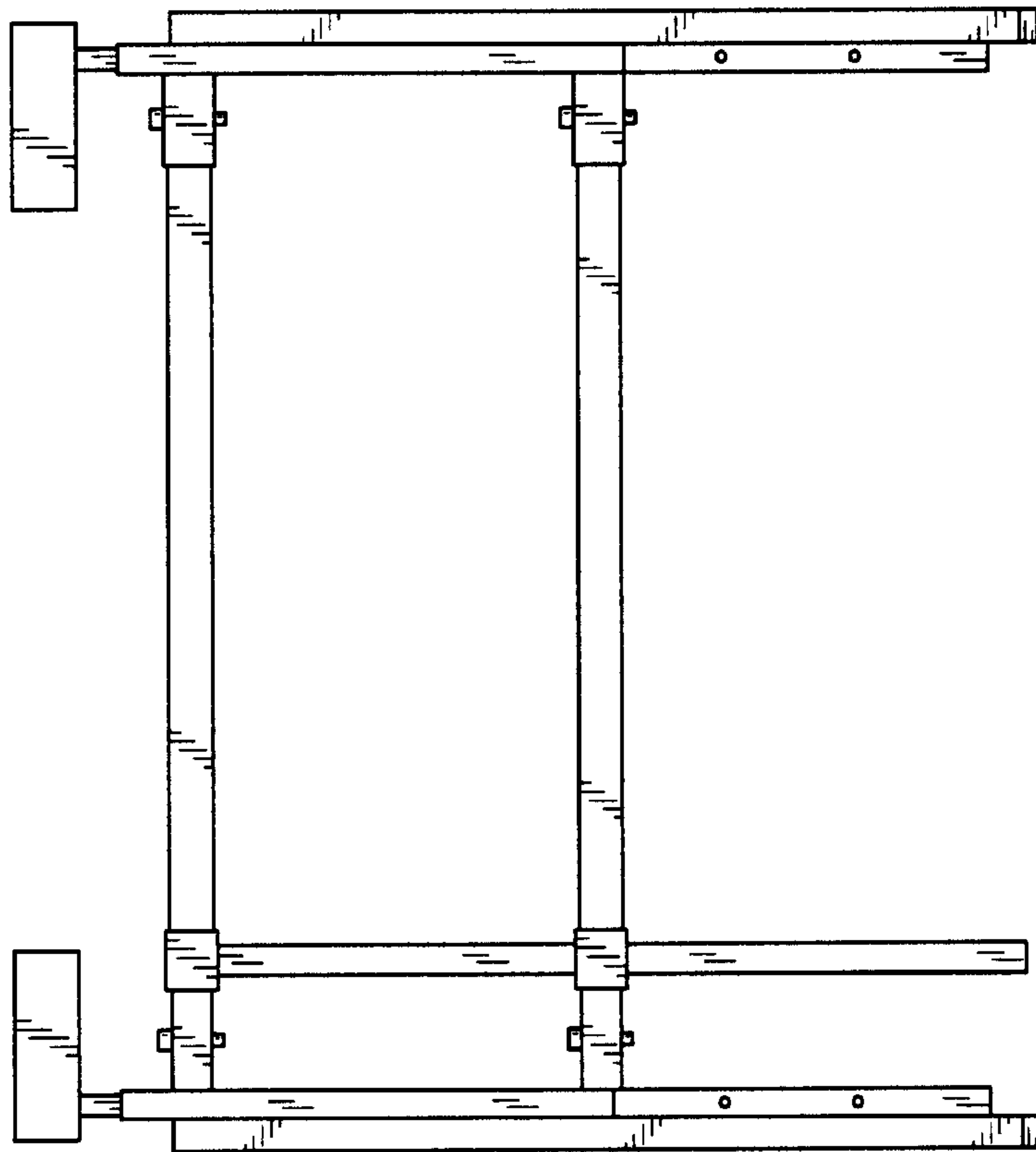


FIG. 3

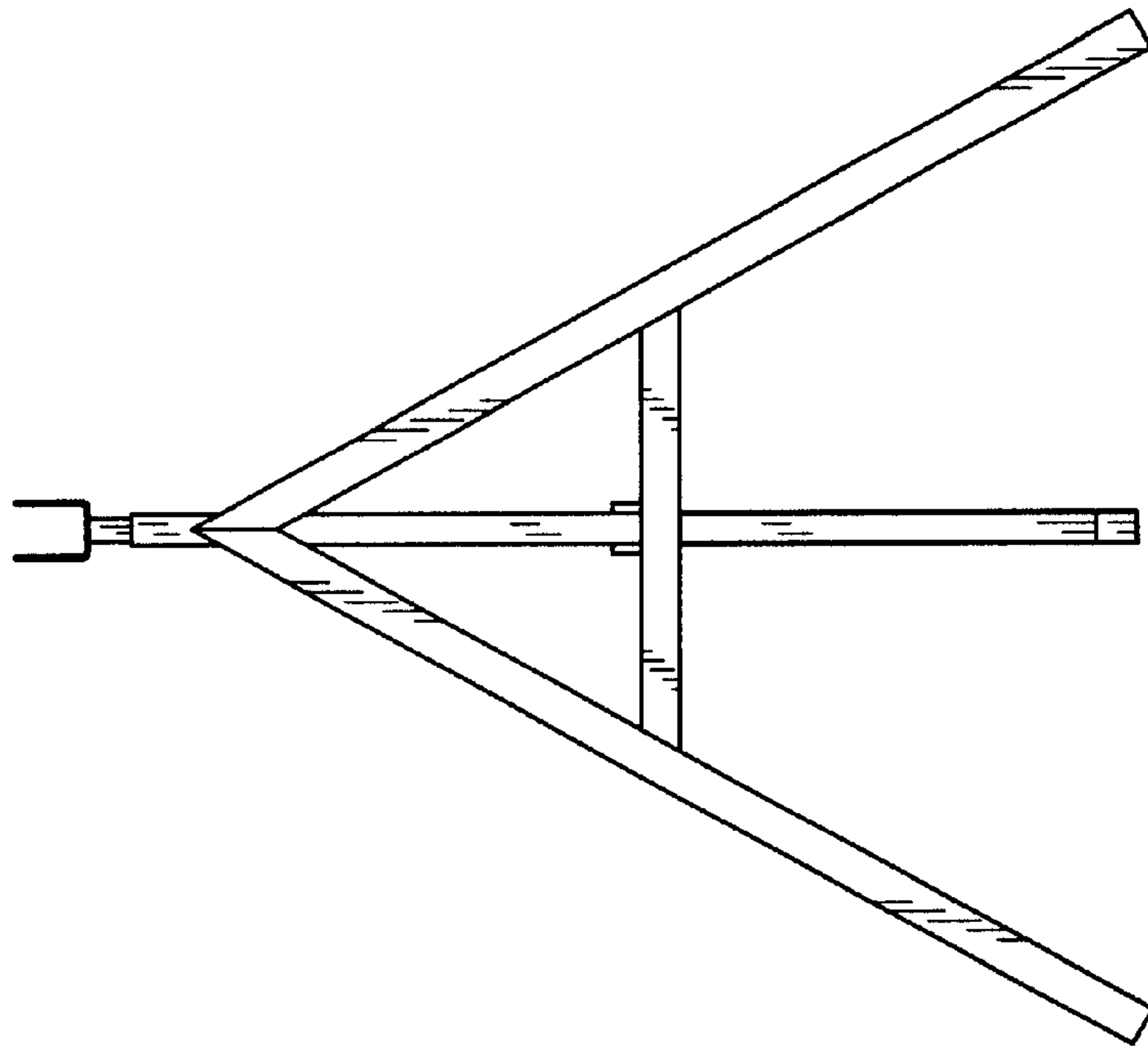


FIG. 6

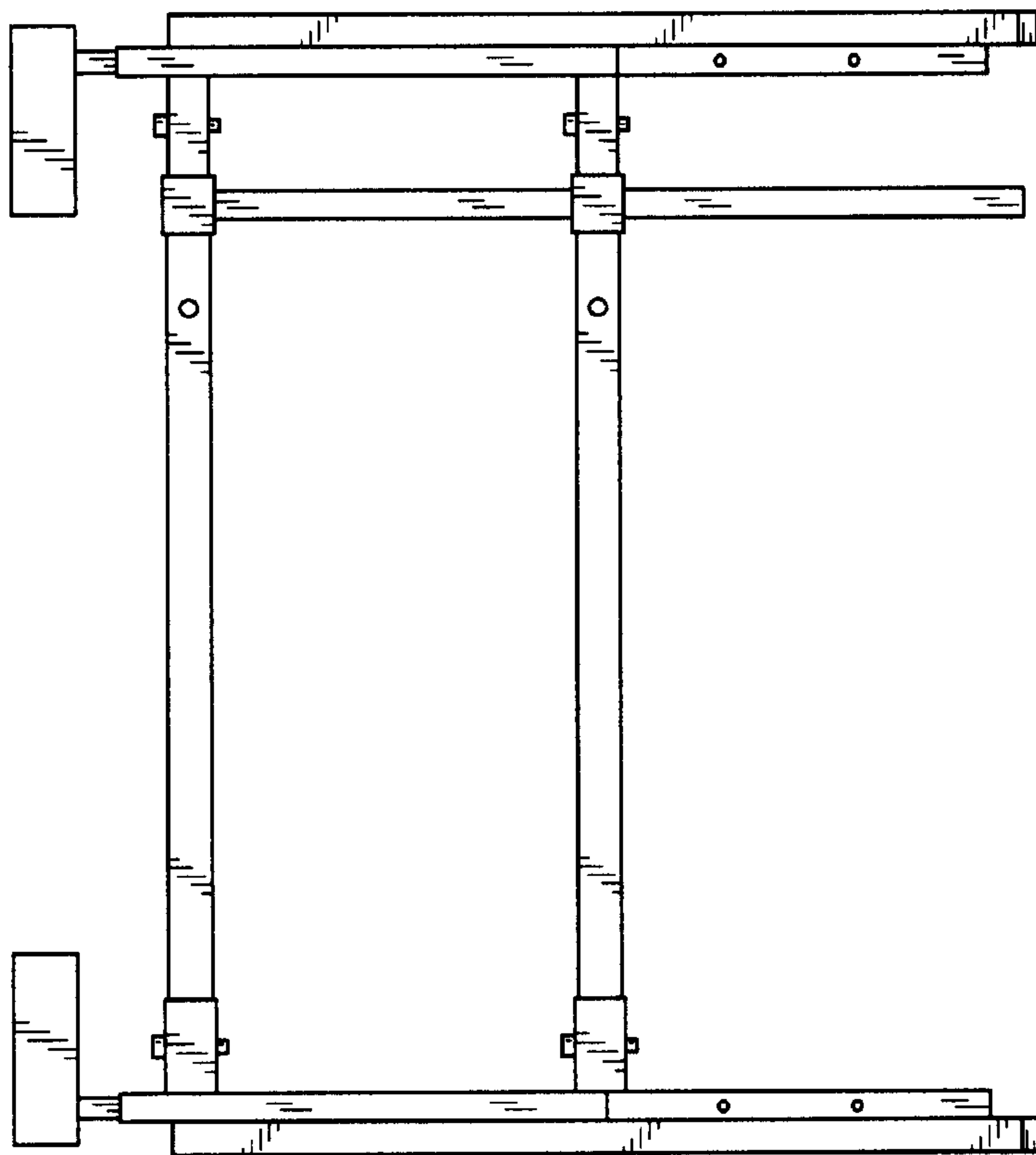


FIG. 5

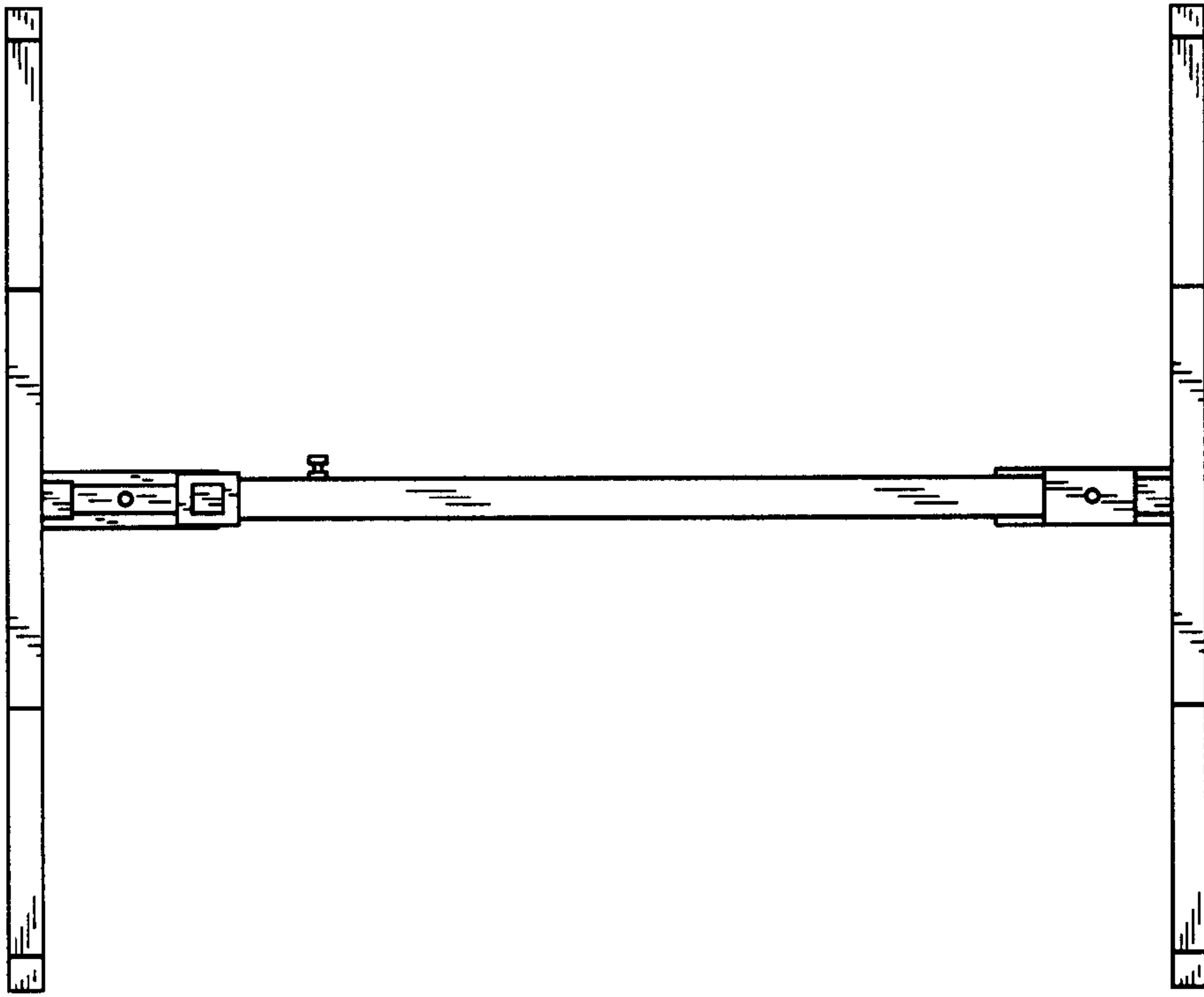


FIG. 8

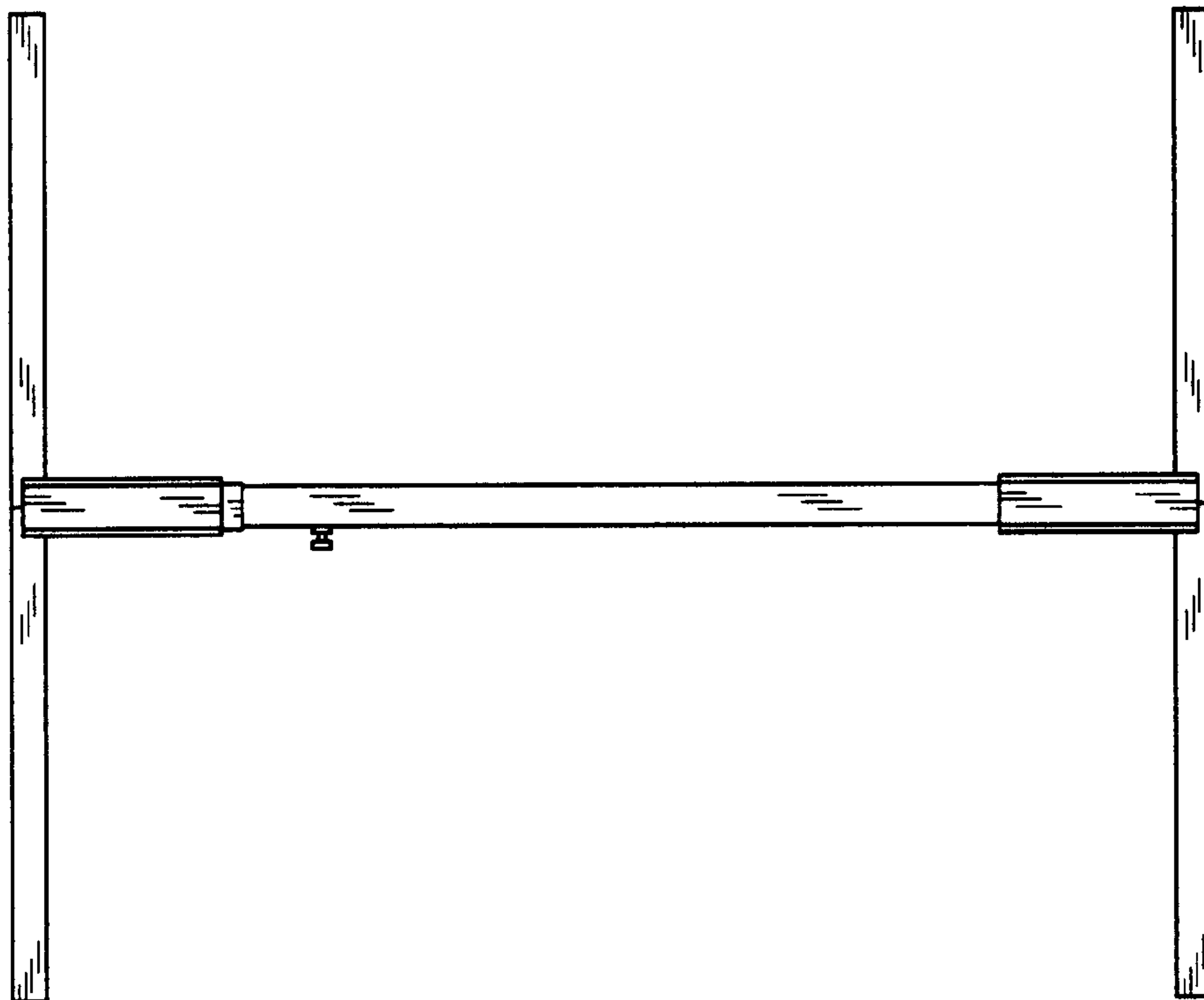


FIG. 7