

US00D536799S

(12) **United States Design Patent**
Freitas

(10) **Patent No.:** **US D536,799 S**

(45) **Date of Patent:** **** Feb. 13, 2007**

(54) **STAIRWAY BENCH**

(76) Inventor: **Tobias Freitas**, 174 First St., East
Providence, RI (US) 02914

(**) Term: **14 Years**

(21) Appl. No.: **29/240,892**

(22) Filed: **Oct. 20, 2005**

(51) **LOC (8) Cl.** **25-04**

(52) **U.S. Cl.** **D25/66**

(58) **Field of Classification Search** D25/65,
D25/62, 66; 182/141, 142, 144, 149, 222,
182/223, 118
See application file for complete search history.

(56) **References Cited**

U.S. PATENT DOCUMENTS

4,457,397	A	*	7/1984	Scala	182/116
5,246,085	A	*	9/1993	Liegel et al.	182/118
5,746,288	A	*	5/1998	O'Neal et al.	182/118
D495,426	S	*	8/2004	Yamaoka	D25/66
6,823,643	B2	*	11/2004	France	52/786.1

* cited by examiner

Primary Examiner—Doris Clark

(74) *Attorney, Agent, or Firm*—Salter & Michaelson

(57) **CLAIM**

The ornamental design for a stairway bench, as shown and described.

DESCRIPTION

FIG. 1 is a perspective view of a stairway bench showing my new design;

FIG. 2 is a side elevational view thereof;

FIG. 3 is an elevational view of the opposite side thereof;

FIG. 4 is an end view looking from the left with respect to FIG. 1;

FIG. 5 is an end view looking from the right with respect to FIG. 1;

FIG. 6 is a top plan view thereof;

FIG. 7 is a bottom plan view thereof;

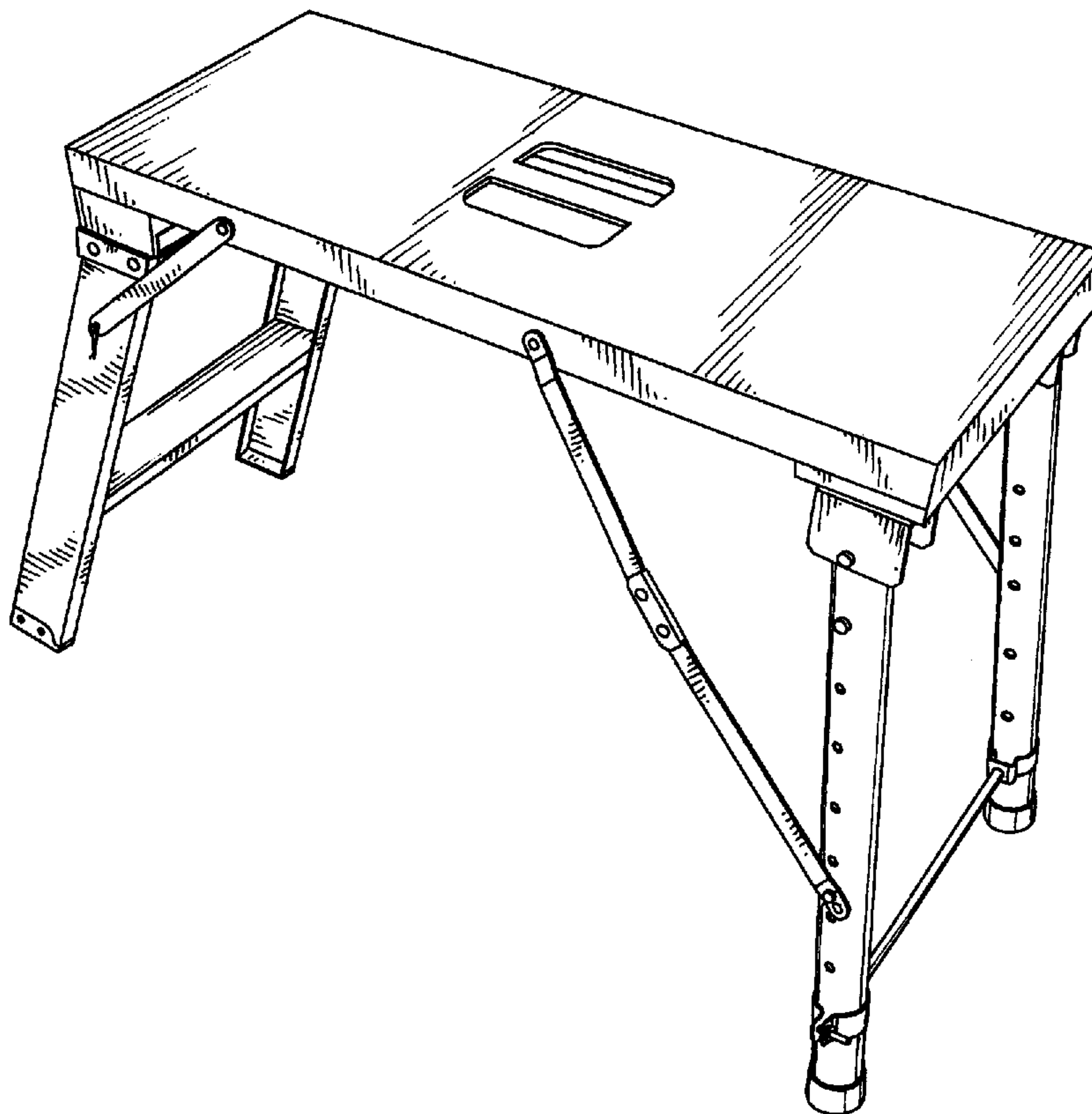
FIG. 8 is a perspective view showing my stairway bench in collapsed position;

FIG. 9 is a perspective view showing one mode of operation of my stairway bench on a stairway; and,

FIG. 10 is a perspective view showing a second mode of operation of my stairway bench on a stairway.

The portions shown in broken lines in FIGS. 9 and 10 are for information only and form no part of the claimed design.

1 Claim, 10 Drawing Sheets



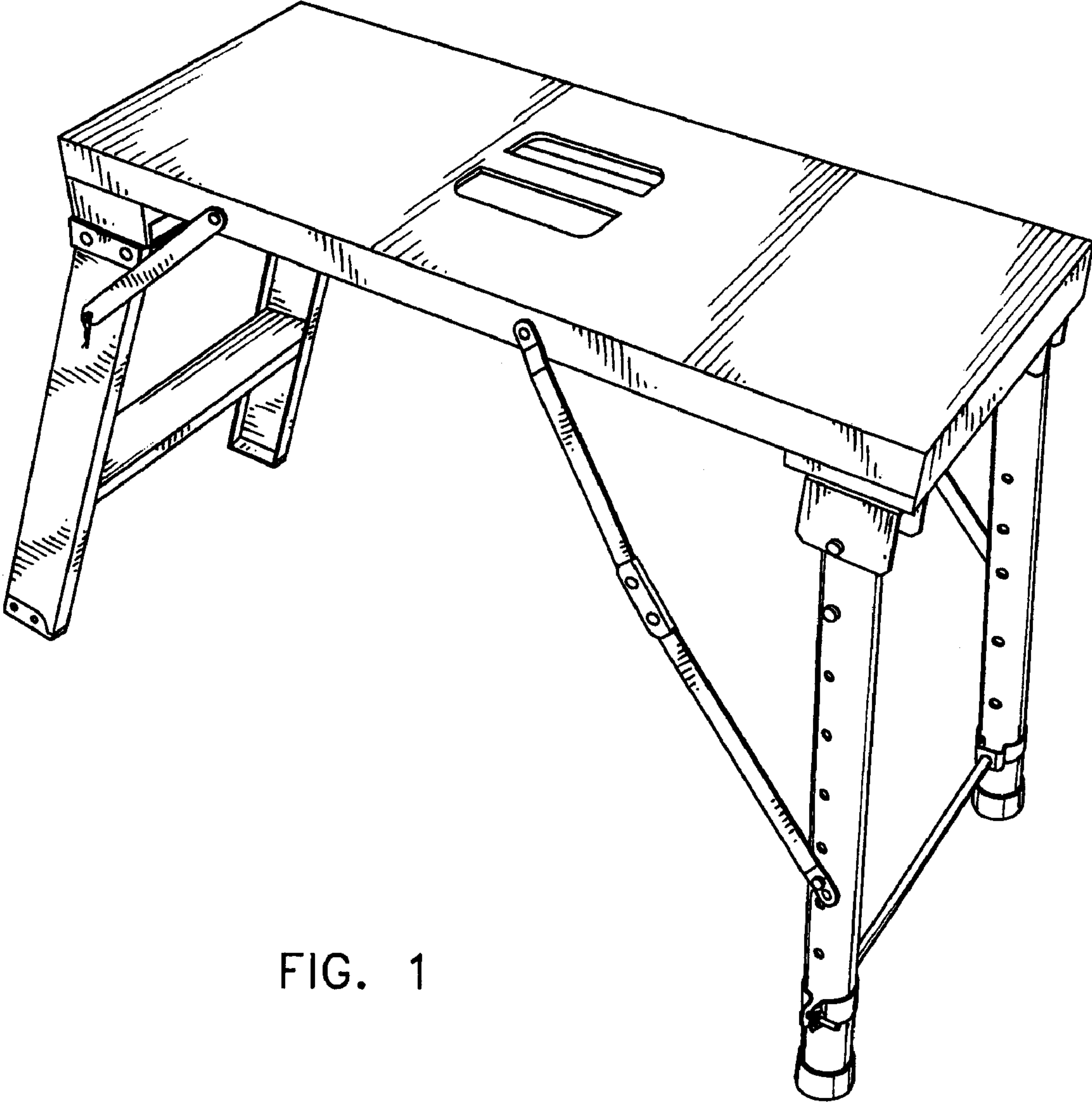


FIG. 1

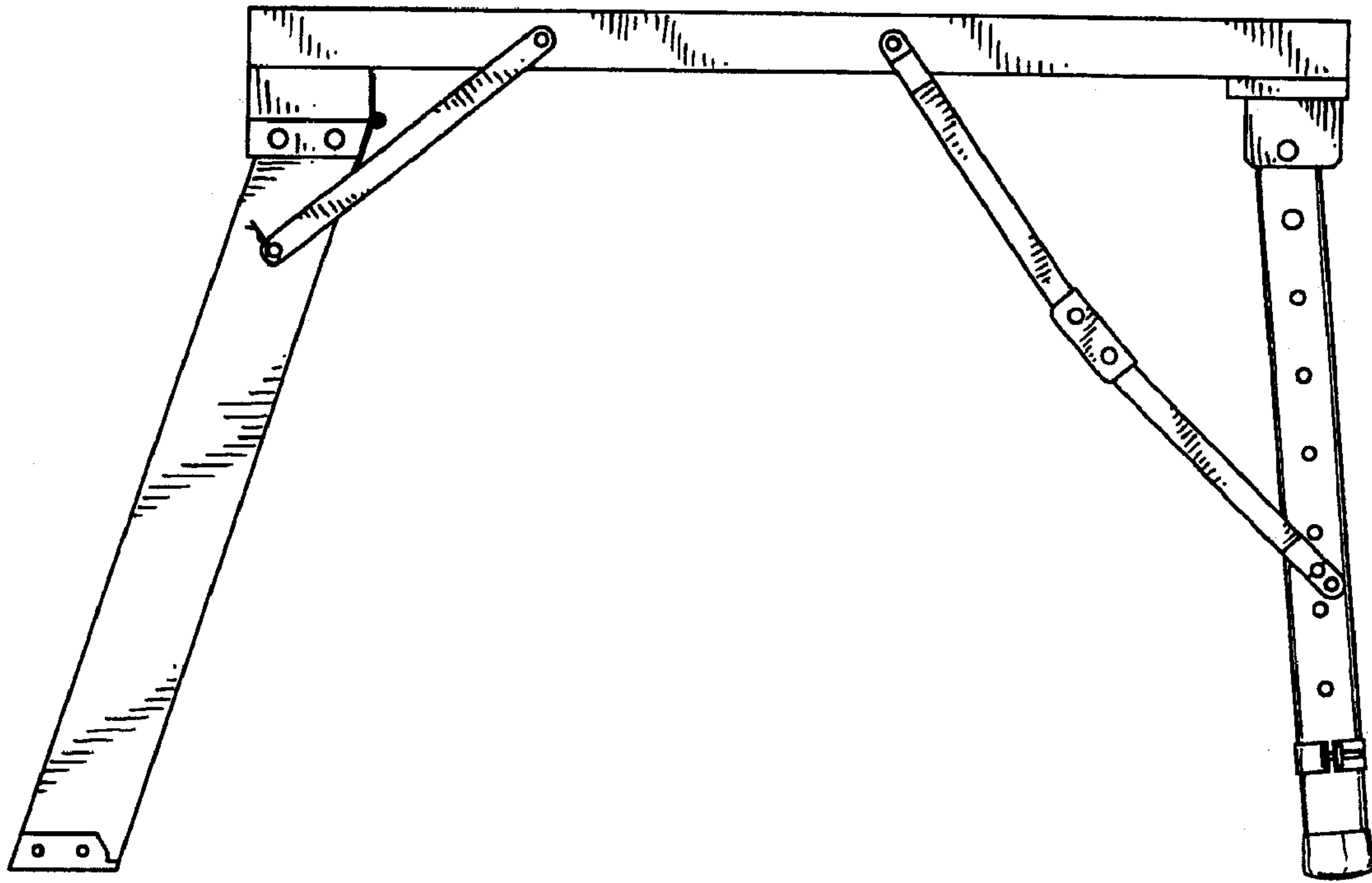


FIG. 2

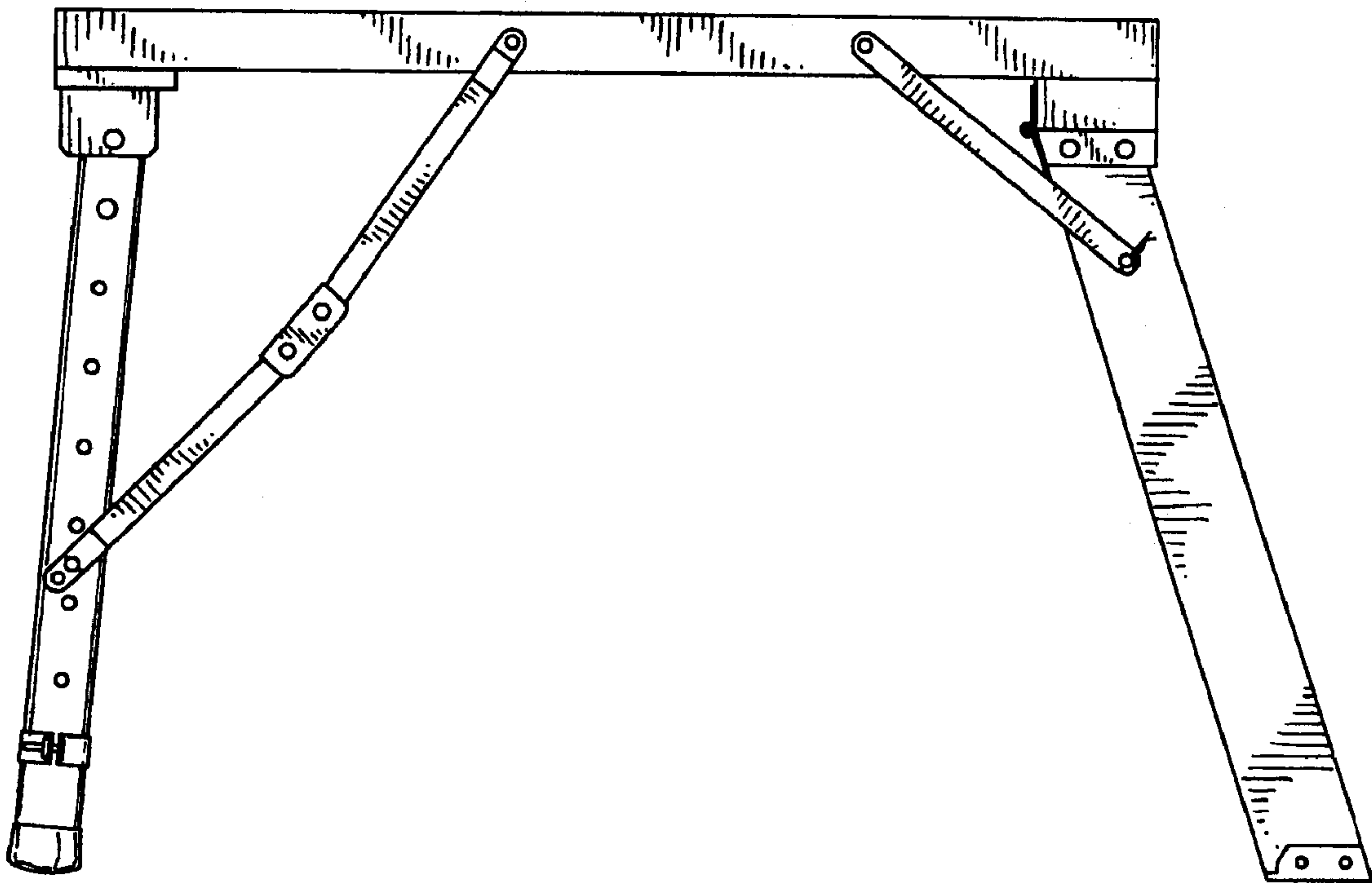


FIG. 3

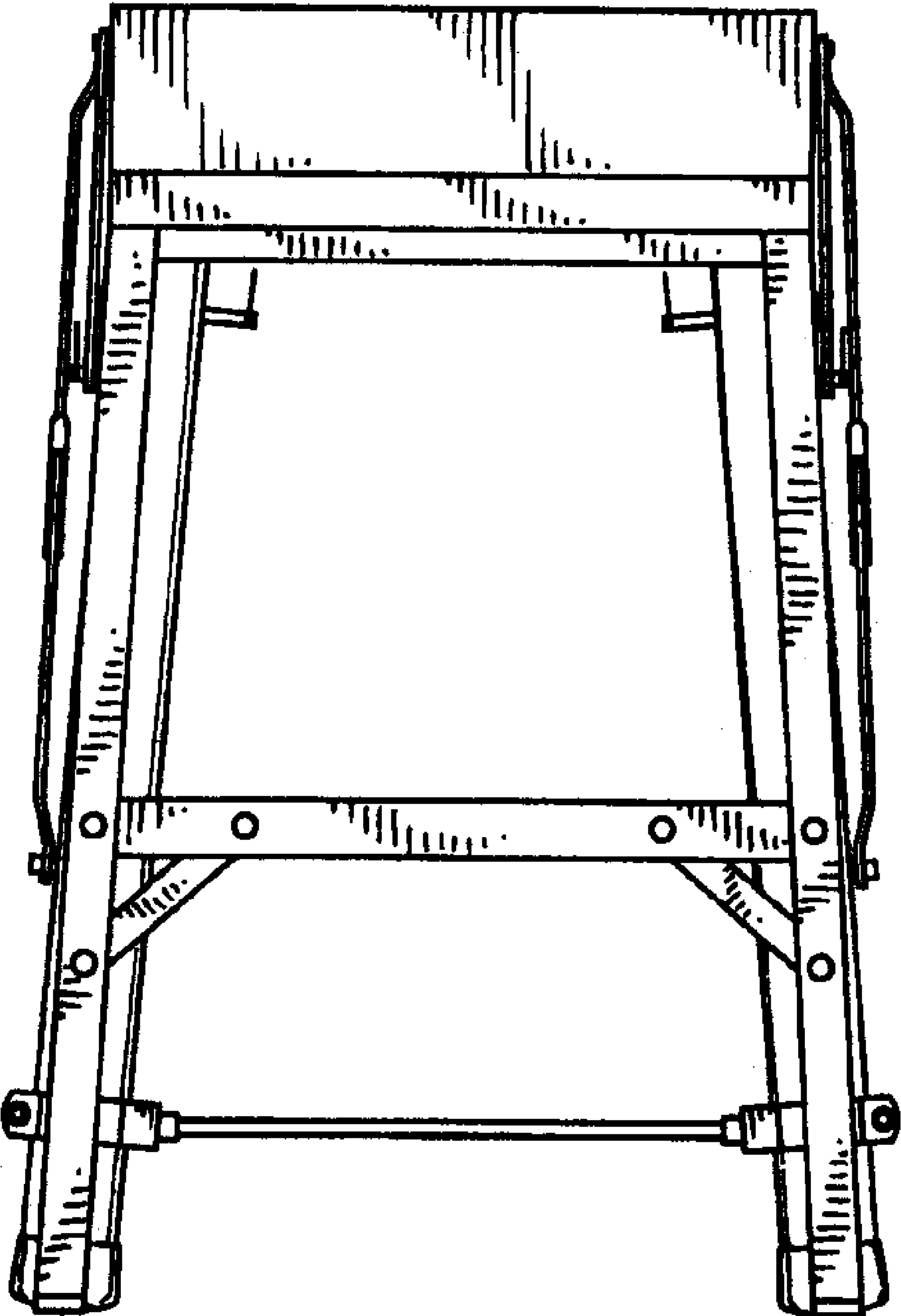


FIG. 4

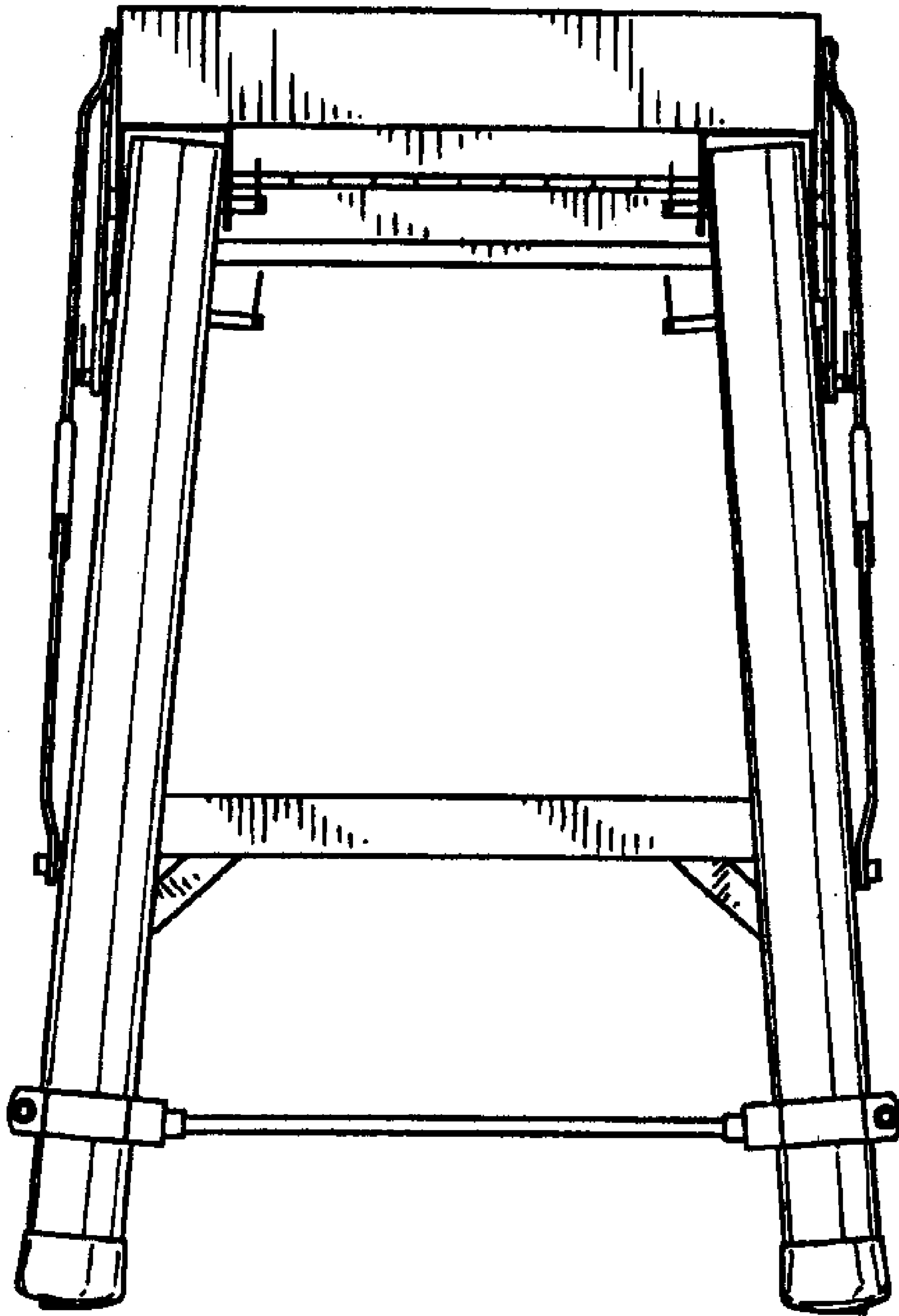


FIG. 5

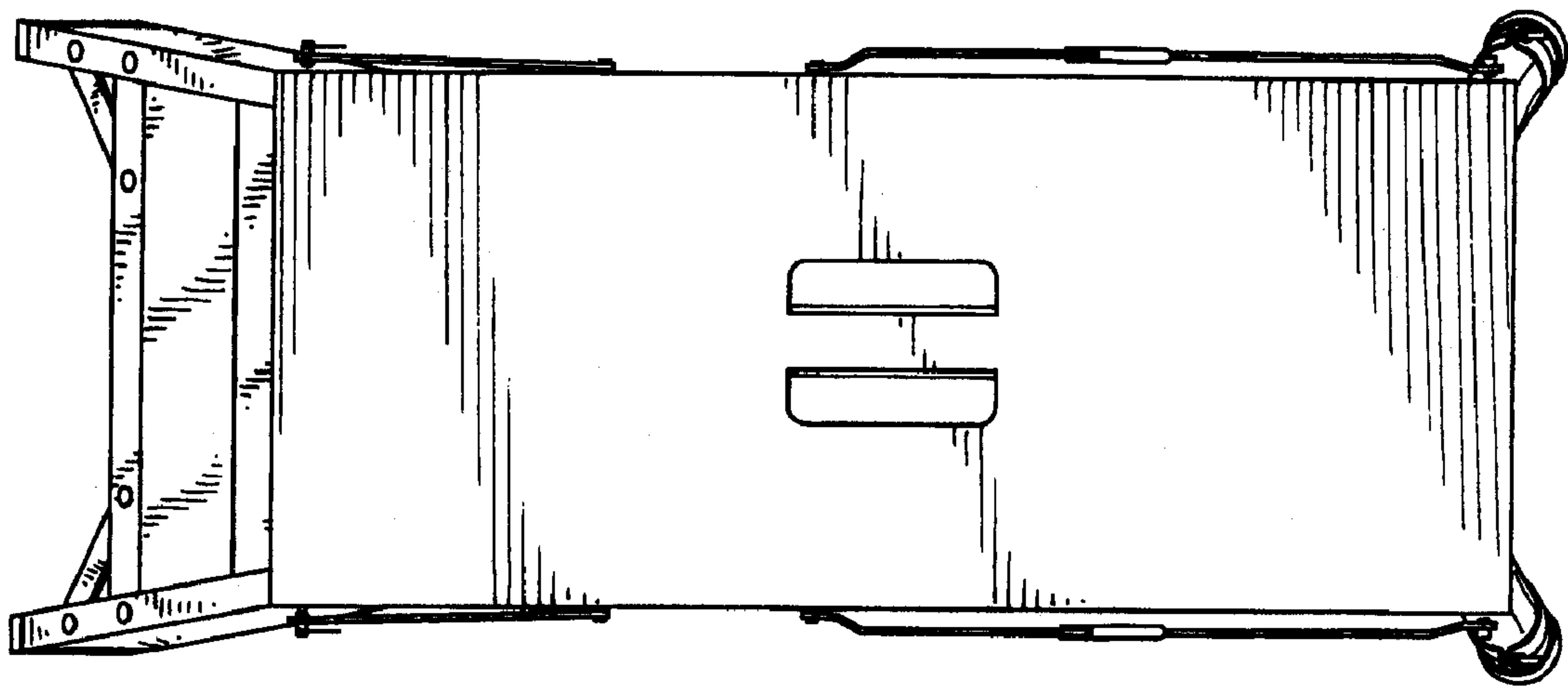


FIG. 6

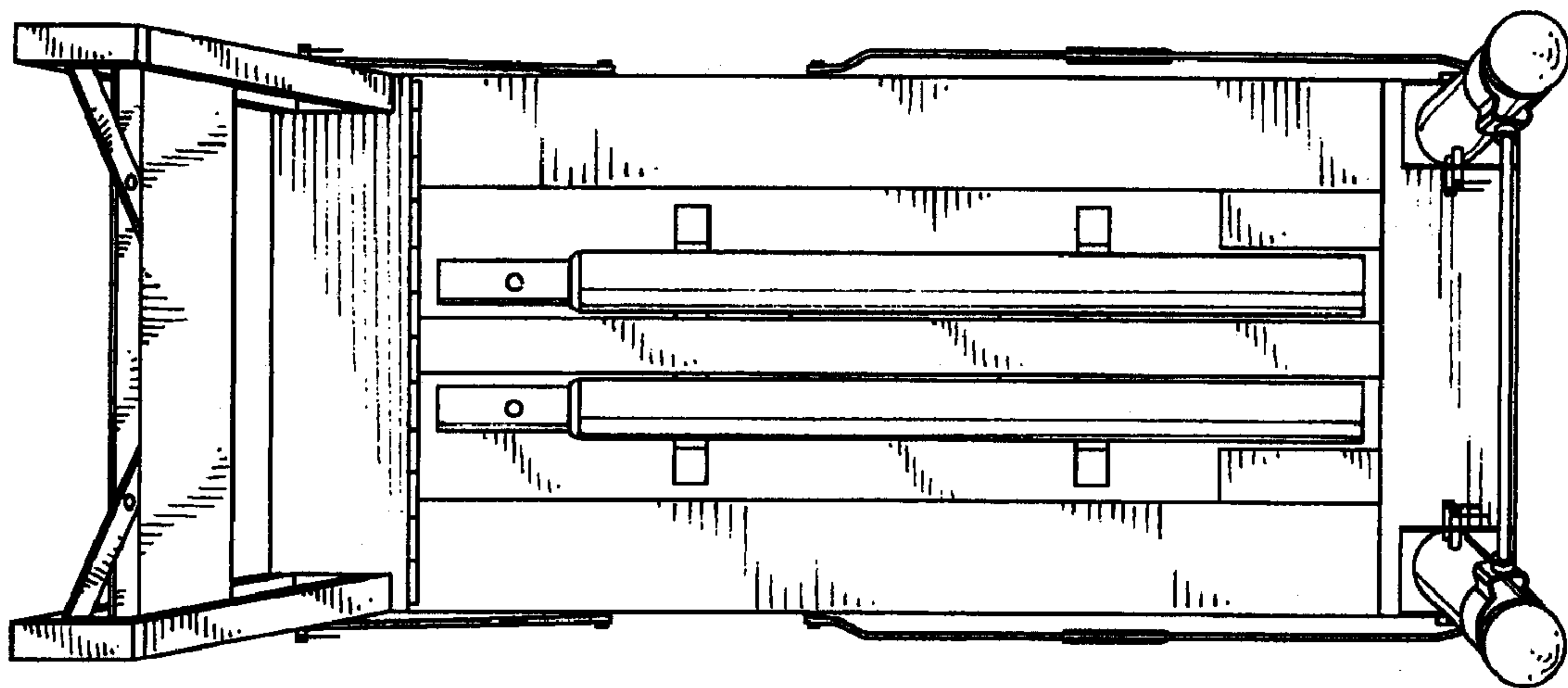


FIG. 7

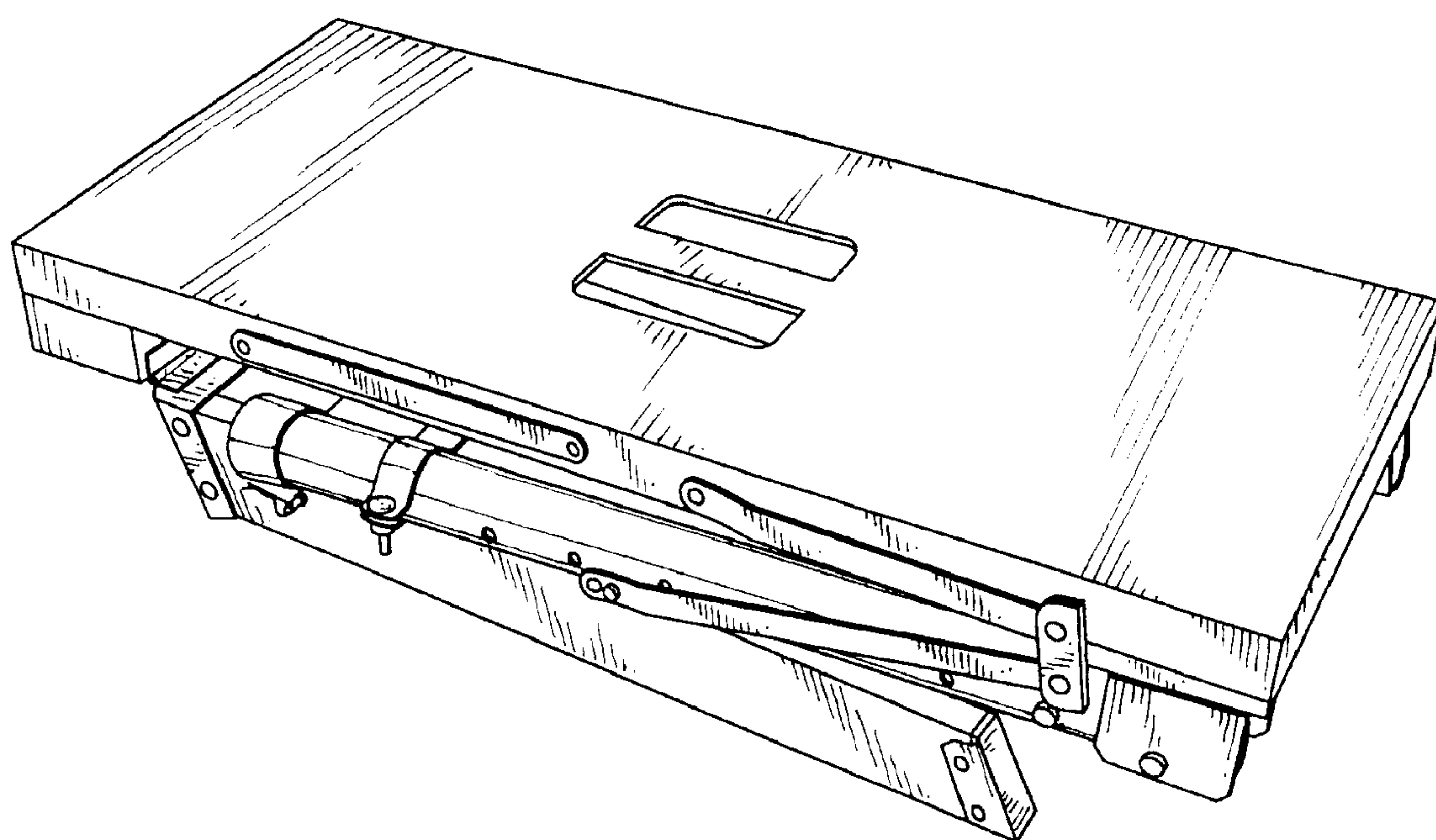


FIG. 8

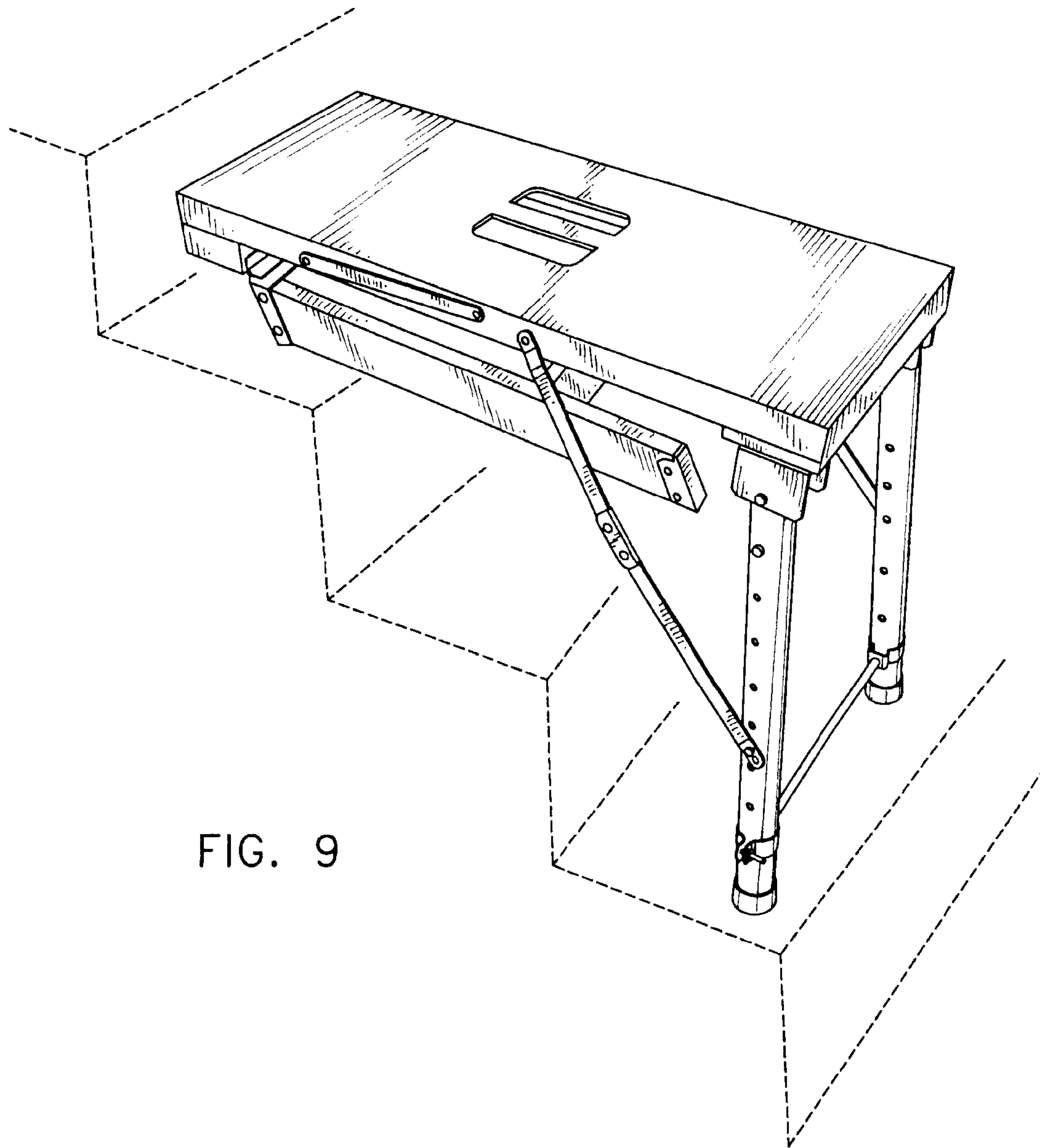


FIG. 9

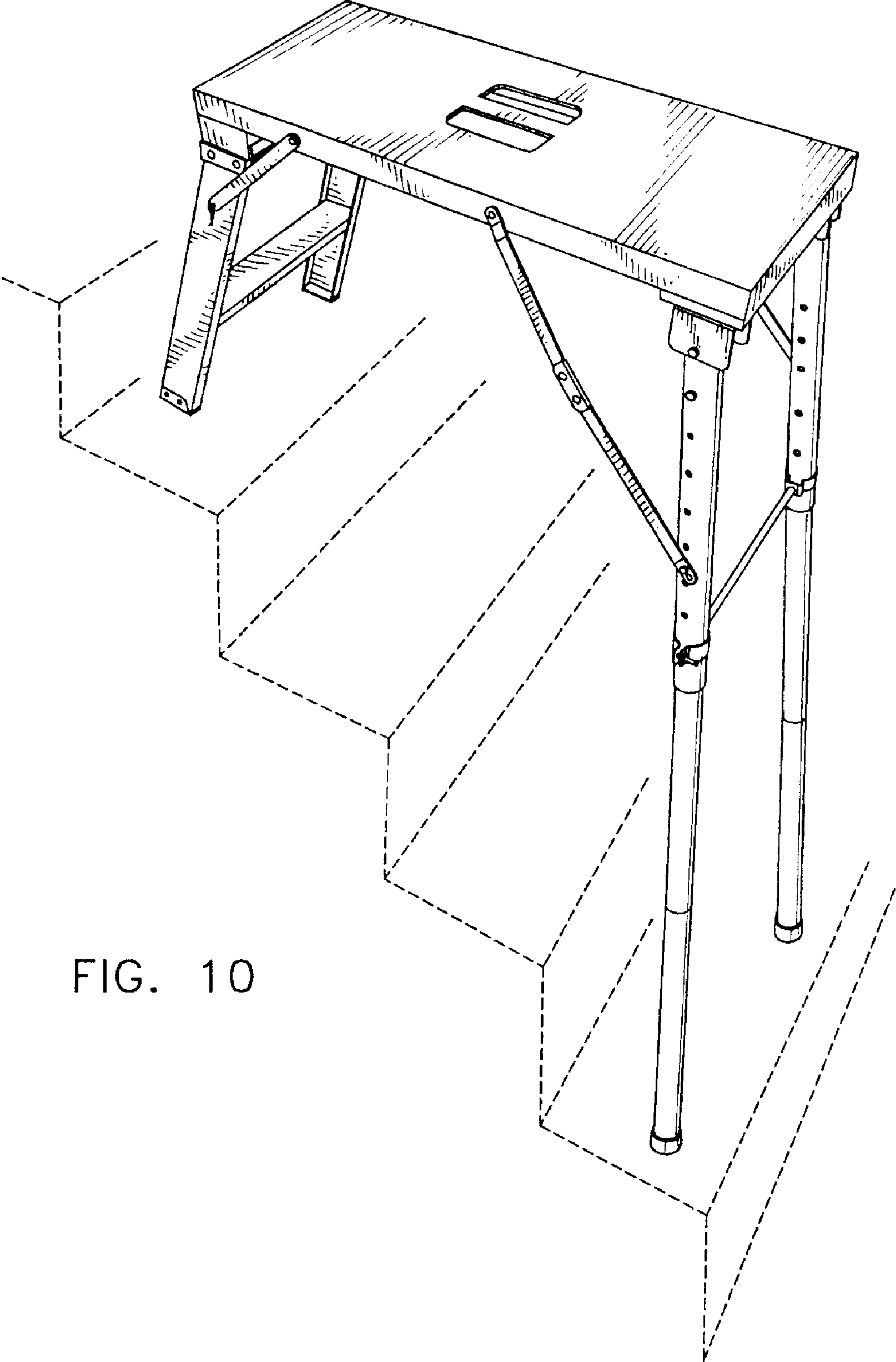


FIG. 10