



US00D536797S

(12) **United States Design Patent** (10) **Patent No.:** **US D536,797 S**
Klearman et al. (45) **Date of Patent:** **** Feb. 13, 2007**

(54) **BASE FOR SEXUAL STIMULATION DEVICE**

(75) Inventors: **Jeffrey D. Klearman**, St. Louis, MO (US); **Cheryl J. Berry**, St. Louis, MO (US)

(73) Assignee: **My Little Secret, L.L.C.**, St. Louis, MO (US)

(**) **Term:** **14 Years**

5,468,172 A 11/1995 Basile
5,490,206 A 2/1996 Stern
5,504,836 A 4/1996 Loudermilk
5,524,638 A 6/1996 Lyons
5,570,414 A 10/1996 Stern
5,573,499 A 11/1996 McAllister
5,690,603 A 11/1997 Kain
5,769,090 A 6/1998 Brown
5,782,779 A 7/1998 Kilgore

(Continued)

(21) Appl. No.: **29/253,504**

(22) Filed: **Feb. 6, 2006**

Related U.S. Application Data

(63) Continuation-in-part of application No. 11/081,050, filed on Mar. 15, 2005.

(51) **LOC (8) Cl.** **28-03**

(52) **U.S. Cl.** **D24/215**

(58) **Field of Classification Search** D24/214, D24/215, 211, 200; 601/46, 101, 87, 84, 601/80, 70, 67, 78, 85; 600/38

See application file for complete search history.

(56) **References Cited**

U.S. PATENT DOCUMENTS

1,703,642 A 2/1929 Sticht
3,669,100 A 6/1972 Csanad
4,055,170 A 10/1977 Nohmura
4,296,376 A 10/1981 Bartol, Jr.
4,722,326 A 2/1988 Ruderian
4,722,327 A 2/1988 Harvey
5,067,480 A 11/1991 Woog et al.
5,076,261 A 12/1991 Black
5,163,447 A 11/1992 Lyons
5,165,131 A 11/1992 Staar
5,283,970 A 2/1994 Aigner
5,377,692 A 1/1995 Pfeil
5,425,078 A 6/1995 Stern
5,438,726 A 8/1995 Leite
5,460,597 A 10/1995 Hopper
RE35,082 E 11/1995 Kuo
D363,994 S * 11/1995 Cheng D24/215

OTHER PUBLICATIONS

<http://www.voice-express.com/news/>, Products that Deliver Your Message, accessed Sep. 7, 2005, 8 pages.

Primary Examiner—Ian Simmons

Assistant Examiner—Melanie Levy

(74) *Attorney, Agent, or Firm*—Lathrop & Gage LC

(57) **CLAIM**

We claim the ornamental design for a base for sexual stimulation device, as shown and described.

DESCRIPTION

FIG. 1 is a perspective view of the base for sexual stimulation device, showing our new design;

FIG. 2 is a lower perspective view of the base for sexual stimulation device shown in FIG. 1;

FIG. 3 is a top plan view of the base for sexual stimulation device shown in FIG. 1;

FIG. 4 is a bottom plan view of the base for sexual stimulation device shown in FIG. 1;

FIG. 5 is a front elevation view of the base for sexual stimulation device shown in FIG. 1;

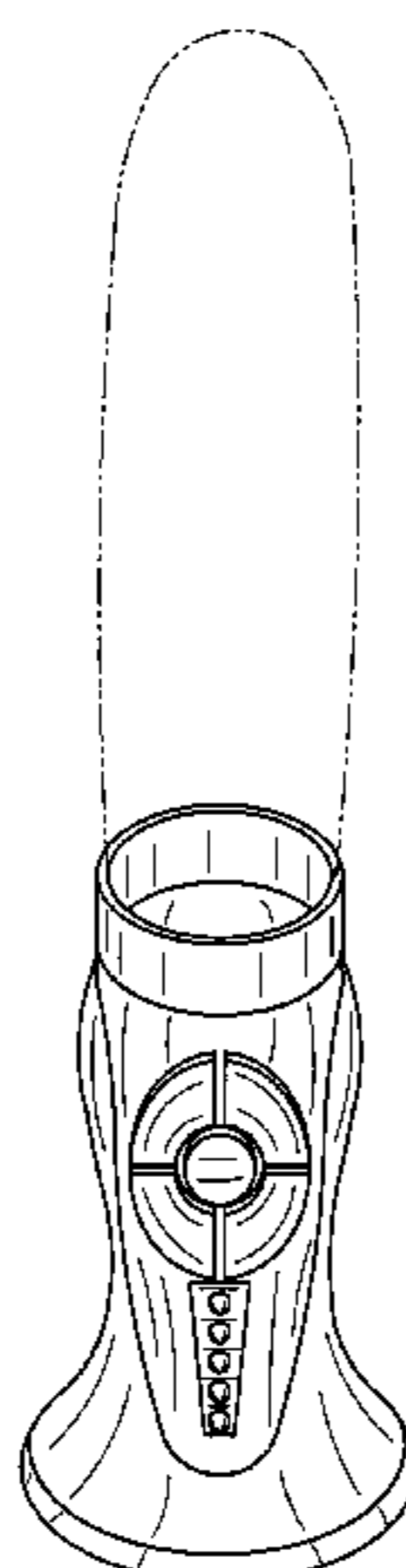
FIG. 6 is a rear elevation view of the base for sexual stimulation device shown in FIG. 1;

FIG. 7 is a left side elevation view of the base for sexual stimulation device shown in FIG. 1; and,

FIG. 8 is a right side elevation view of the base for sexual stimulation device shown in FIG. 1.

The details shown in broken lines are for illustrative purposes only and form no part of the claimed design.

1 Claim, 3 Drawing Sheets



US D536,797 S

Page 2

U.S. PATENT DOCUMENTS

5,928,170	A	7/1999	Garrigan		6,393,401	B1	5/2002	Loudermilk et al.
D414,582	S	* 9/1999	Hwang D24/215	6,393,402	B1	5/2002	Loudermilk et al.
5,956,682	A	9/1999	Loudermilk et al.		6,529,873	B1	3/2003	Owen
6,028,531	A	2/2000	Wanderlich		6,592,516	B2	7/2003	Lee
D425,997	S	* 5/2000	Jakubow D24/215	D509,301	S	* 9/2005	Talbot et al. D24/215
6,110,102	A	8/2000	Harrison		D510,628	S	* 10/2005	Talbot et al. D24/215
6,185,851	B1	2/2001	Loudermilk et al.		2002/0065477	A1	5/2002	Boyd et al.
6,263,310	B1	7/2001	Loudermilk et al.		2002/0133102	A1	9/2002	Quan
6,356,626	B1	3/2002	Ohara et al.		2004/0097852	A1	5/2004	Boyd et al.
6,377,926	B2	4/2002	Loudermilk		2004/0125120	A1	7/2004	Weiner
6,381,573	B1	4/2002	Loudermilk et al.					

* cited by examiner

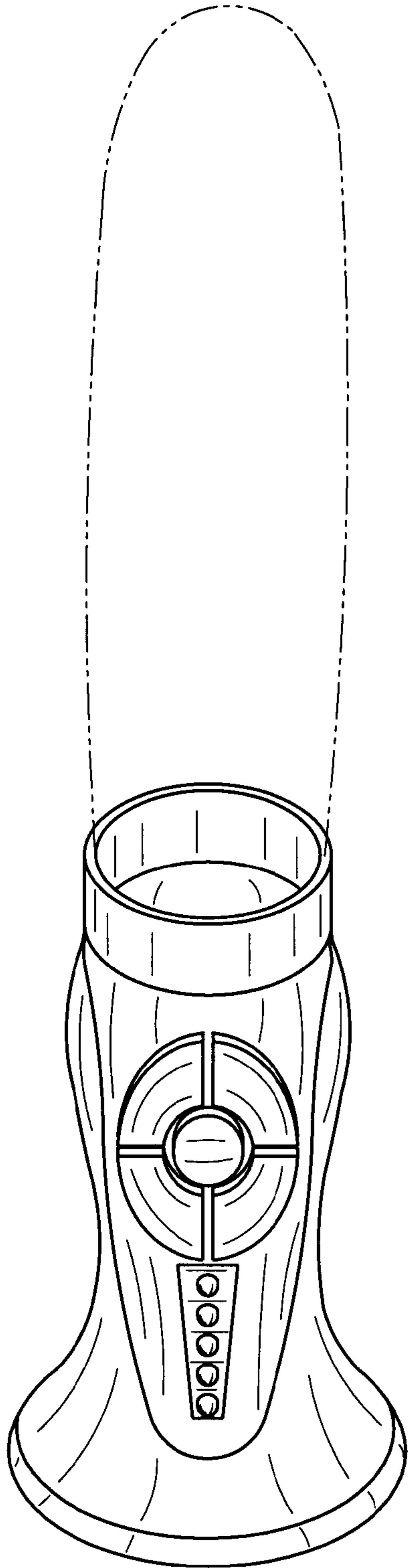


FIG. 1

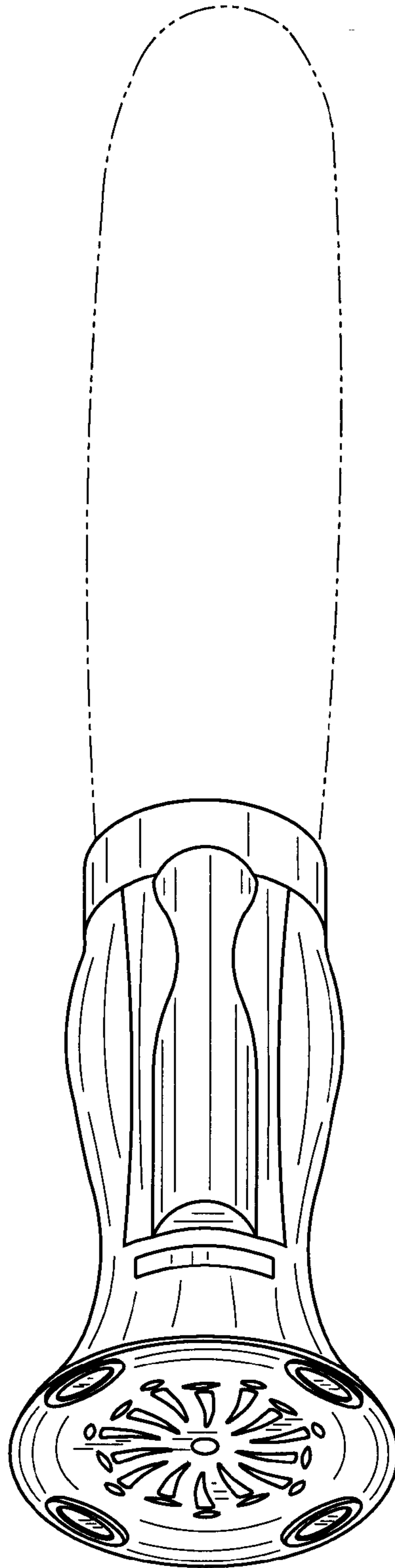


FIG. 2

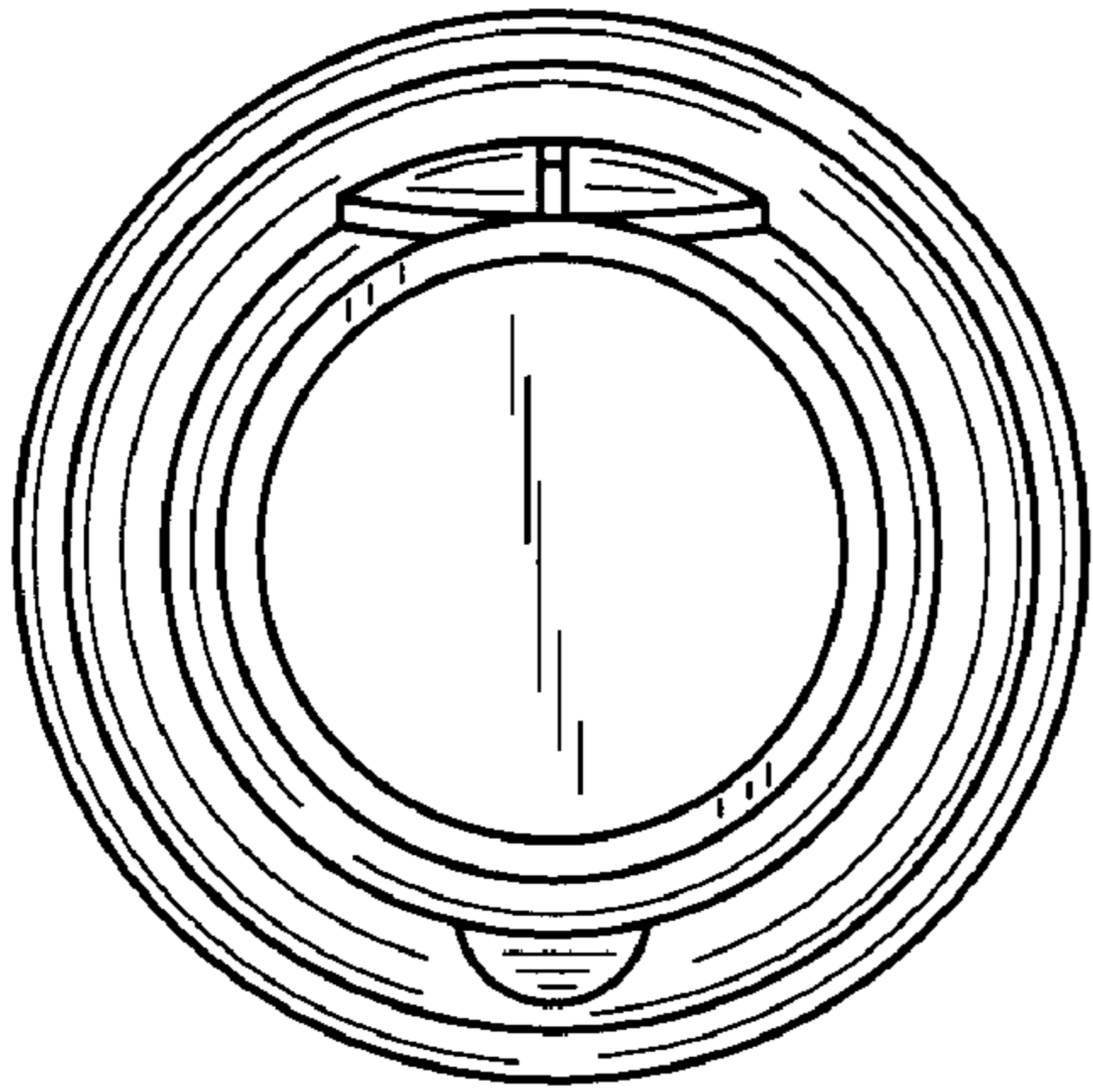


FIG. 3

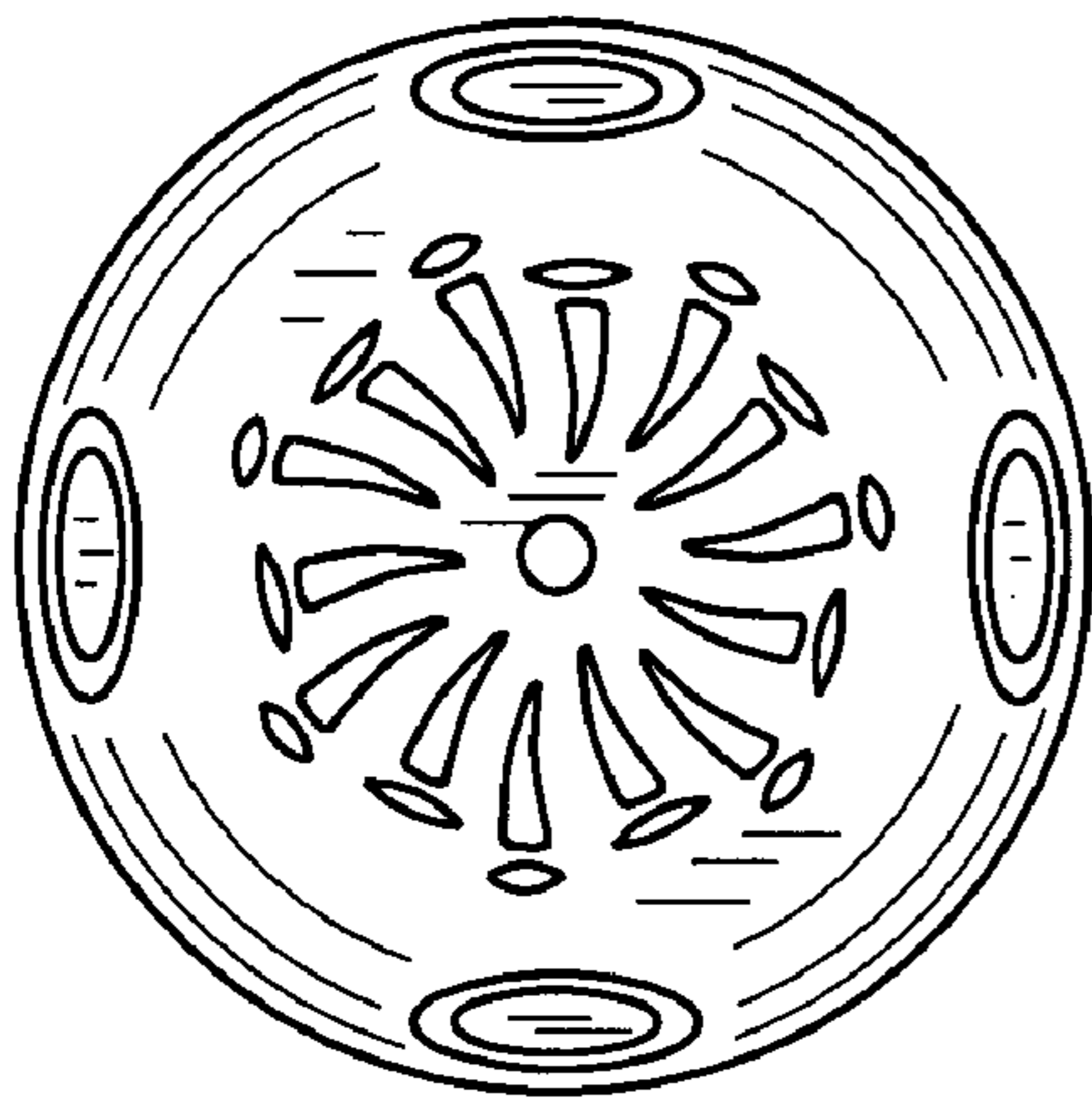


FIG. 4

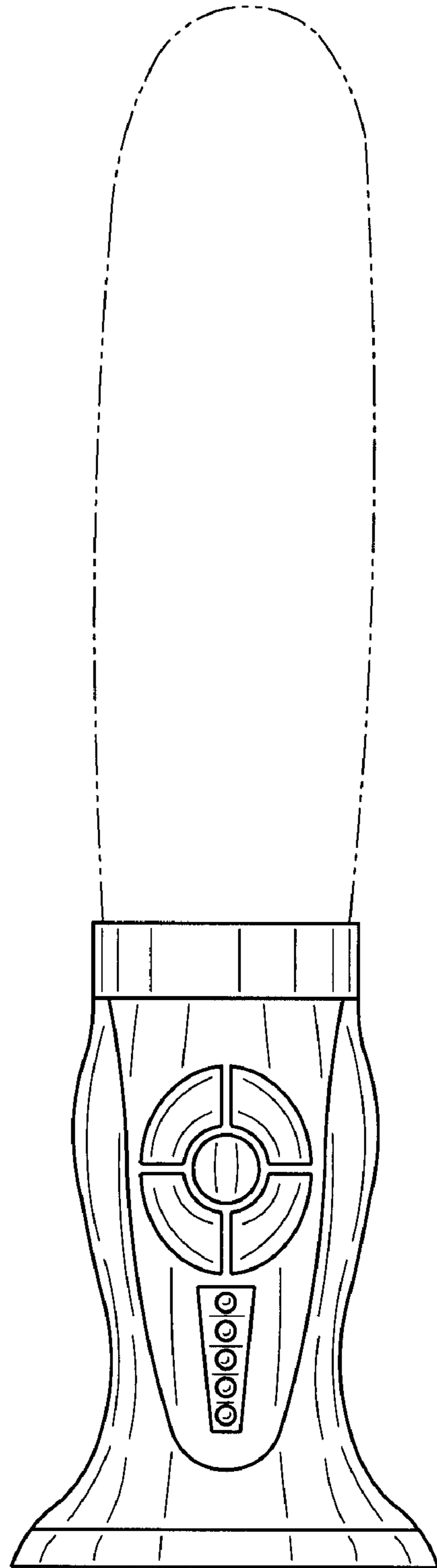


FIG. 5

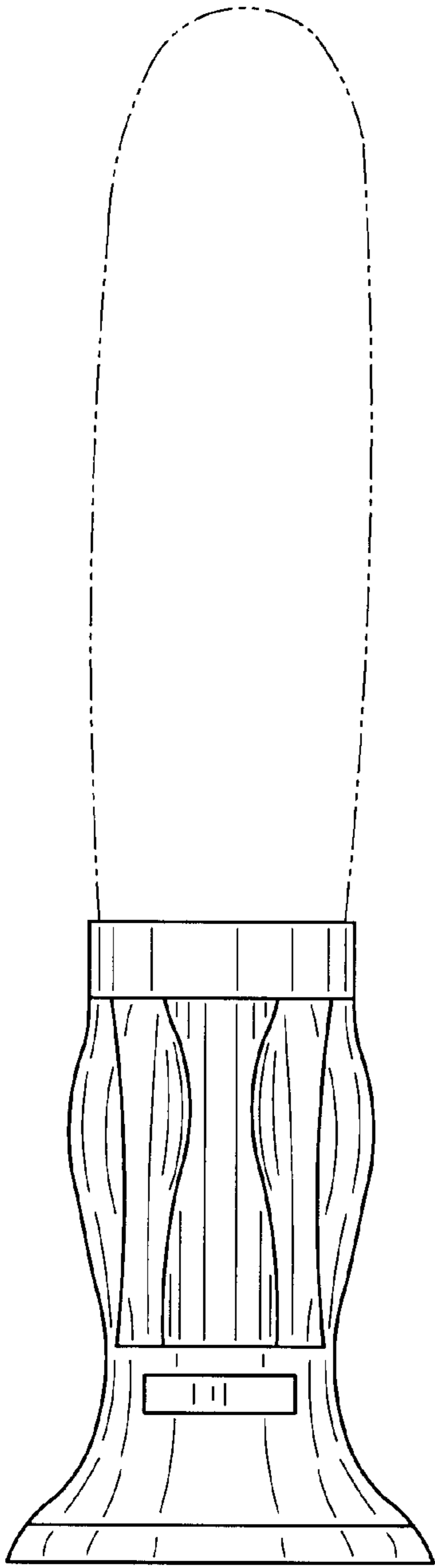


FIG. 6

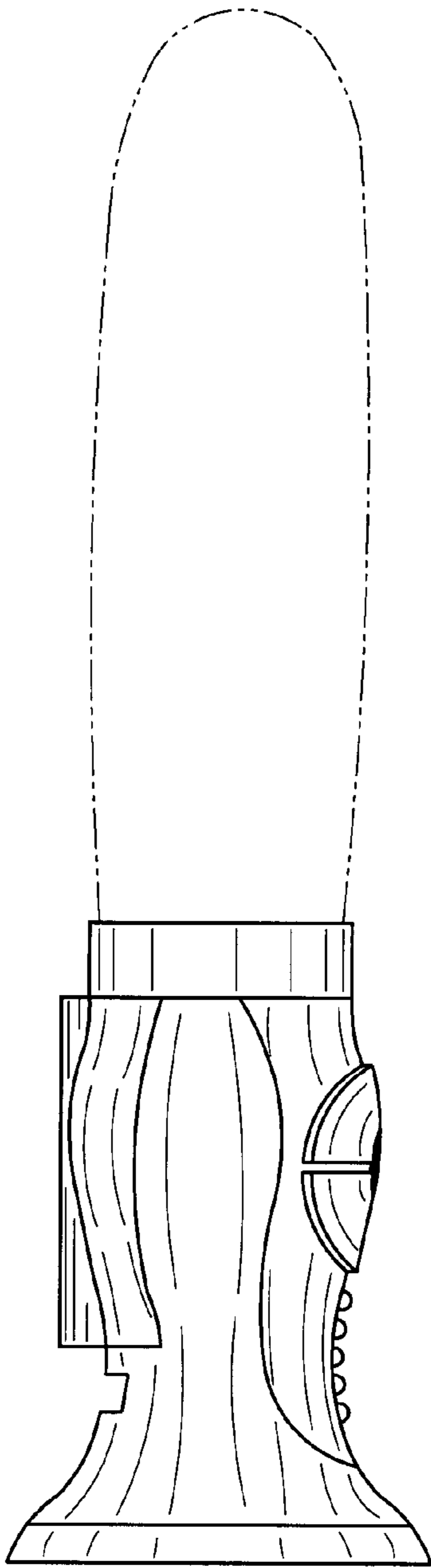


FIG. 7

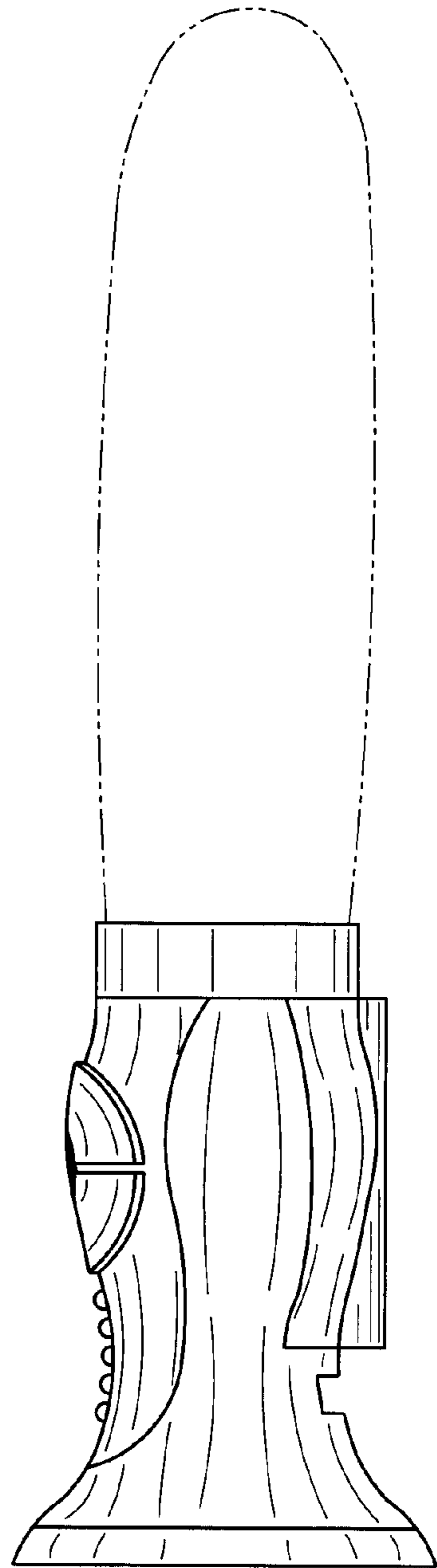


FIG. 8