



US00D536790S

(12) **United States Design Patent**
Michel et al.

(10) **Patent No.:** **US D536,790 S**
(45) **Date of Patent:** **** Feb. 13, 2007**

(54) **MEDICAL SCOPE**

(75) Inventors: **Maurice Stephan Michel**, Mannheim (DE); **Peter Eisenkolb**, Tuttlingen (DE)

(73) Assignee: **Karl Storz GmbH & Co. KG** (DE)

(**) Term: **14 Years**

(21) Appl. No.: **29/244,531**

(22) Filed: **Dec. 8, 2005**

(30) **Foreign Application Priority Data**

Jun. 8, 2005 (EM) 000355946

(51) **LOC (8) Cl.** **24-02**

(52) **U.S. Cl.** **D24/137; D24/138**

(58) **Field of Classification Search** D24/137,
D24/138, 129, 153; 600/121, 138, 153, 920;
385/117

See application file for complete search history.

(56) **References Cited**

U.S. PATENT DOCUMENTS

3,297,022	A *	1/1967	Wallace	600/920
D254,270	S *	2/1980	Ziegler	D24/138
4,951,977	A *	8/1990	Shutt	285/316
5,954,637	A *	9/1999	Francis	600/138
6,955,644	B2 *	10/2005	Forkey et al.	600/138
2005/0049459	A1 *	3/2005	Hern	600/121
2005/0234298	A1 *	10/2005	Kucklick et al.	600/156

2005/0267330 A1 * 12/2005 Deppmeier et al. 600/121

* cited by examiner

Primary Examiner—Ian Simmons

Assistant Examiner—W. Laymon

(74) *Attorney, Agent, or Firm*—St. Onge Steward Johnston & Reens LLC

(57) **CLAIM**

The ornamental design for a medical scope, as shown and described.

DESCRIPTION

FIG. 1 is a perspective view of a medical scope in accordance with the new design;

FIG. 2 is a left side view with the tube shown broken in the middle for ease of illustration thereof;

FIG. 3 is a top plan view with the tube shown broken in the middle for ease of illustration thereof;

FIG. 4 is a bottom plan view with the tube shown broken in the middle for ease of illustration thereof;

FIG. 5 is a front elevational view thereof;

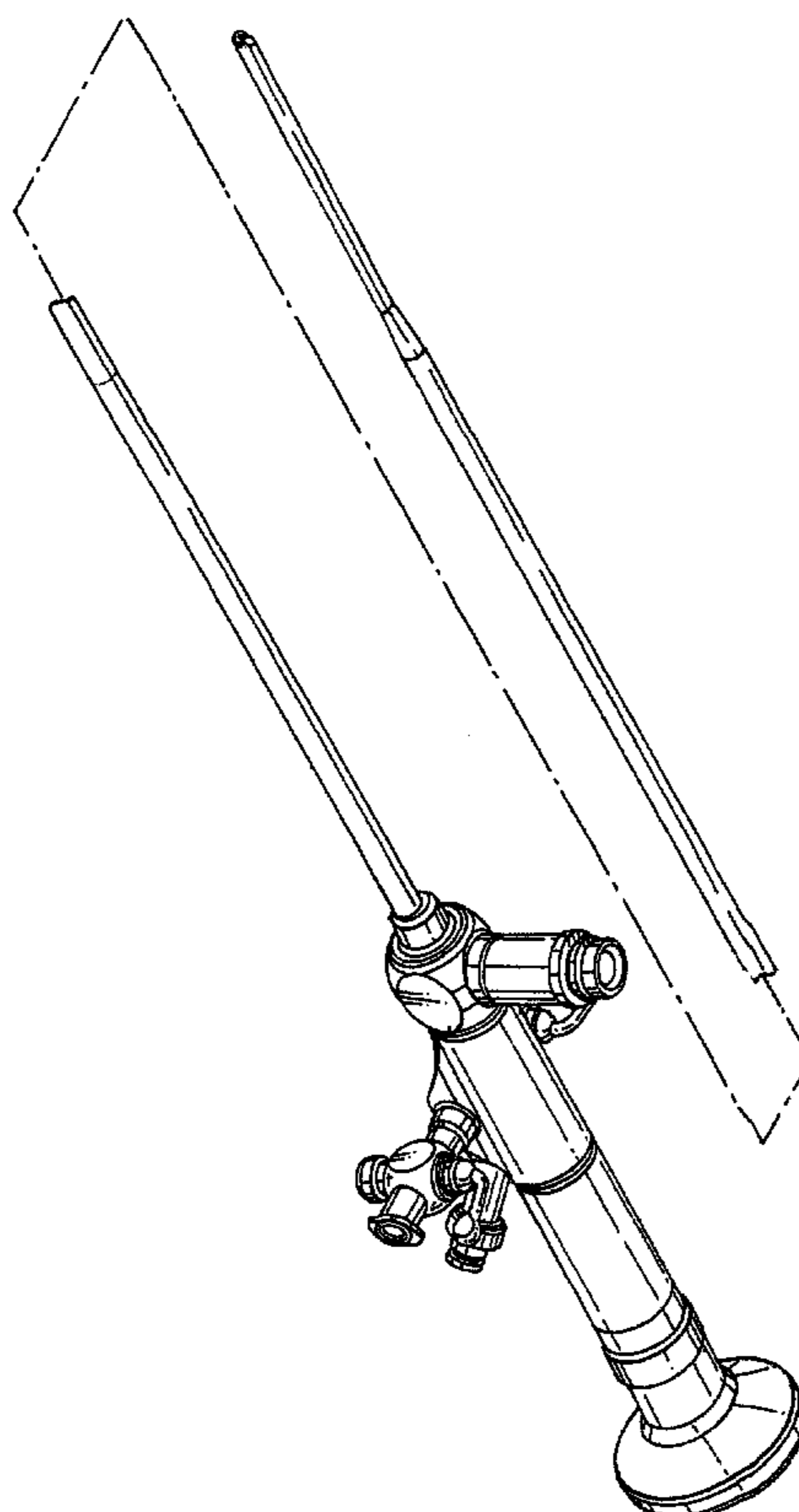
FIG. 6 is a rear elevational view thereof; and,

FIG. 7 is a close up perspective view of the bottom plan view of FIG. 4 thereof.

It is understood that a medical scope shown broken away to indicate indeterminate length.

FIGS. 2–7 are drawn in an enlarged scale.

1 Claim, 7 Drawing Sheets



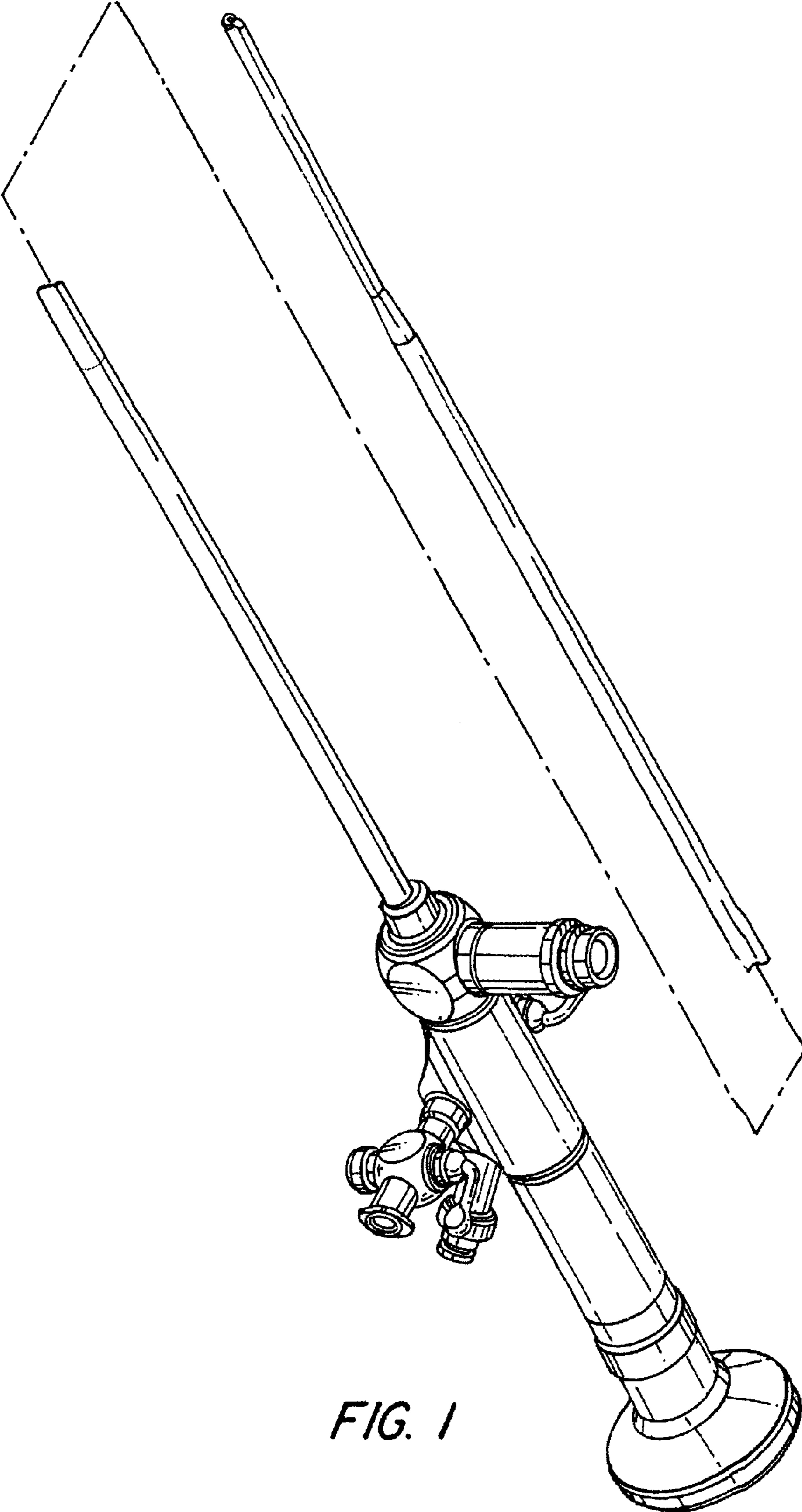


FIG. 1

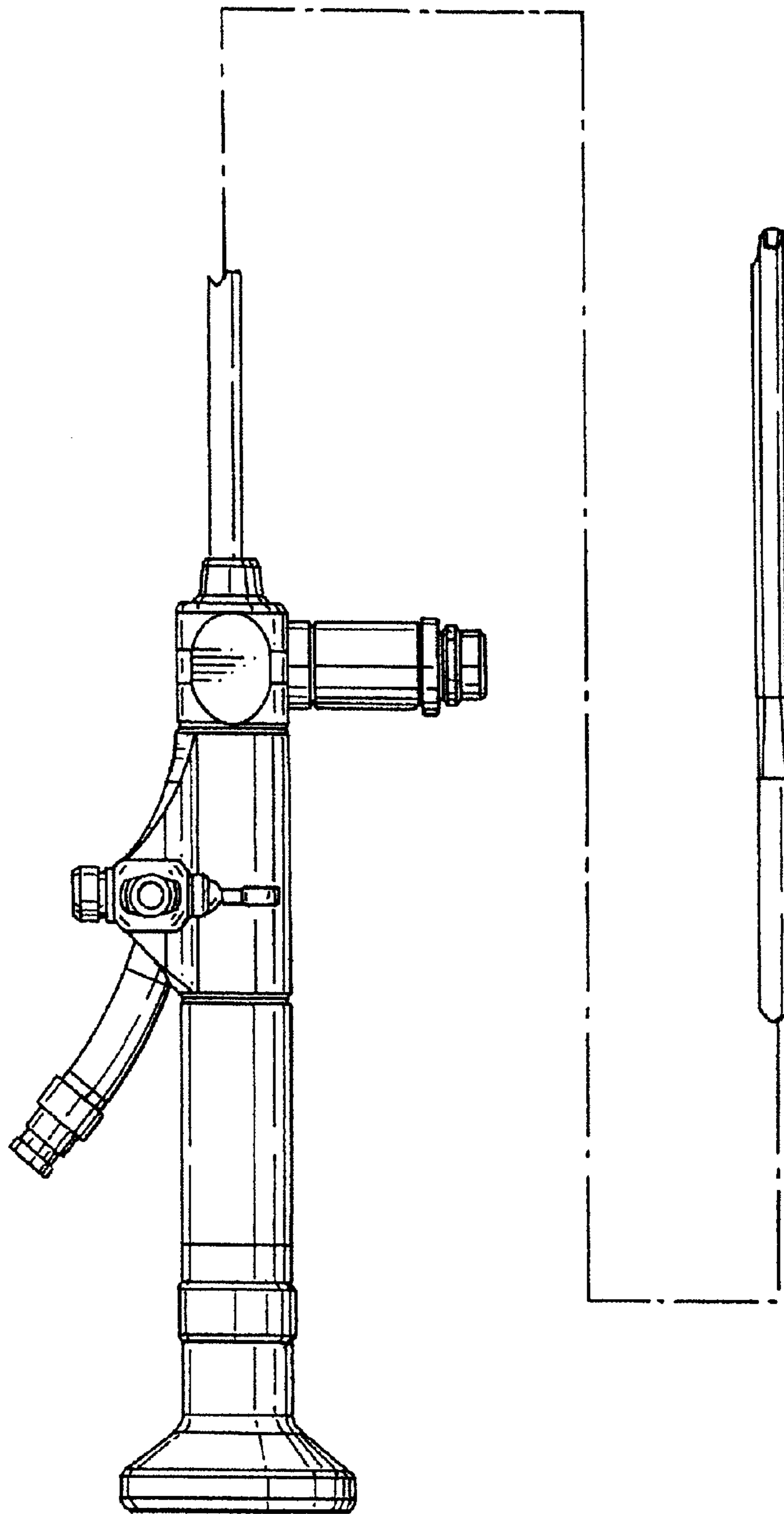


FIG. 2

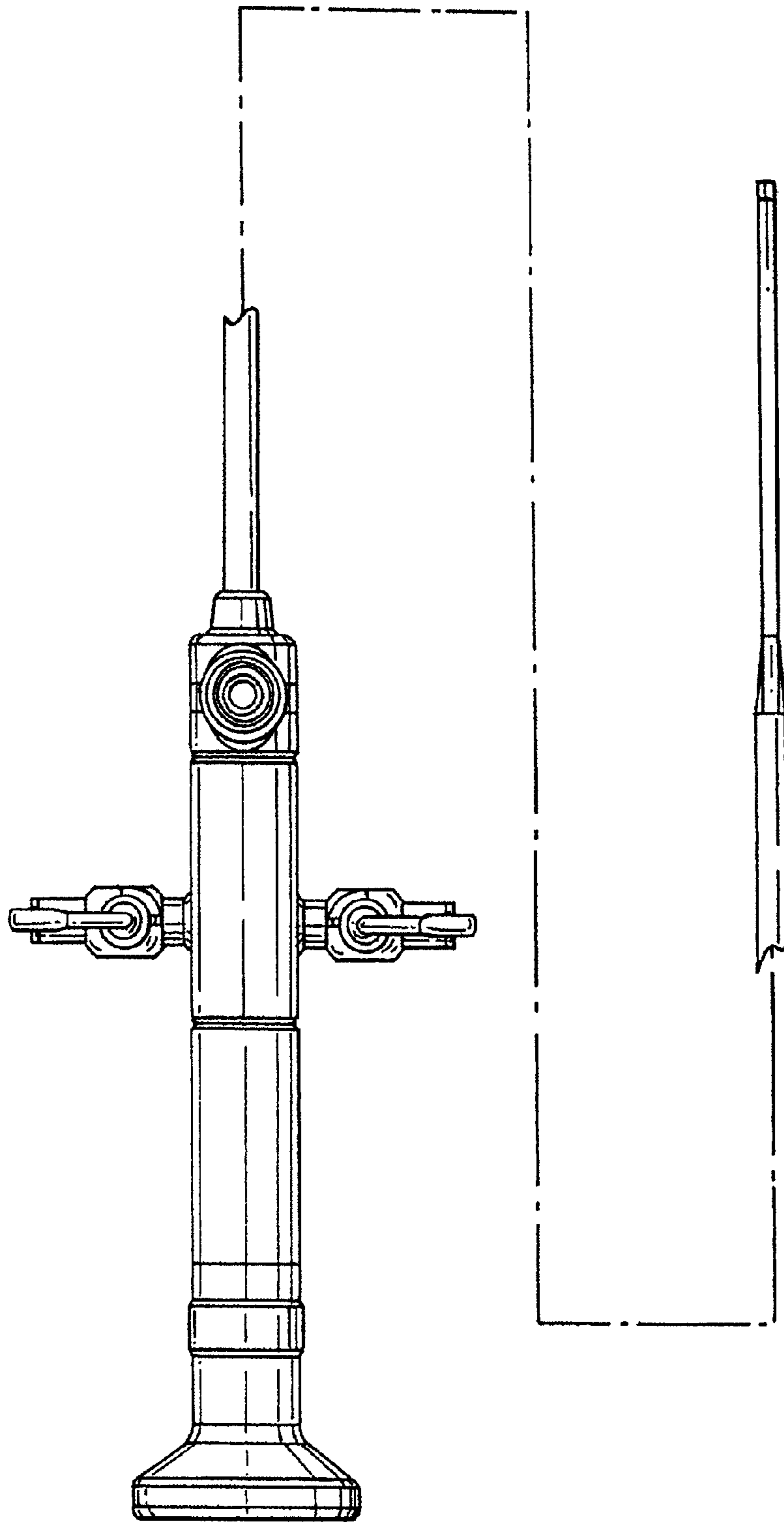


FIG. 3

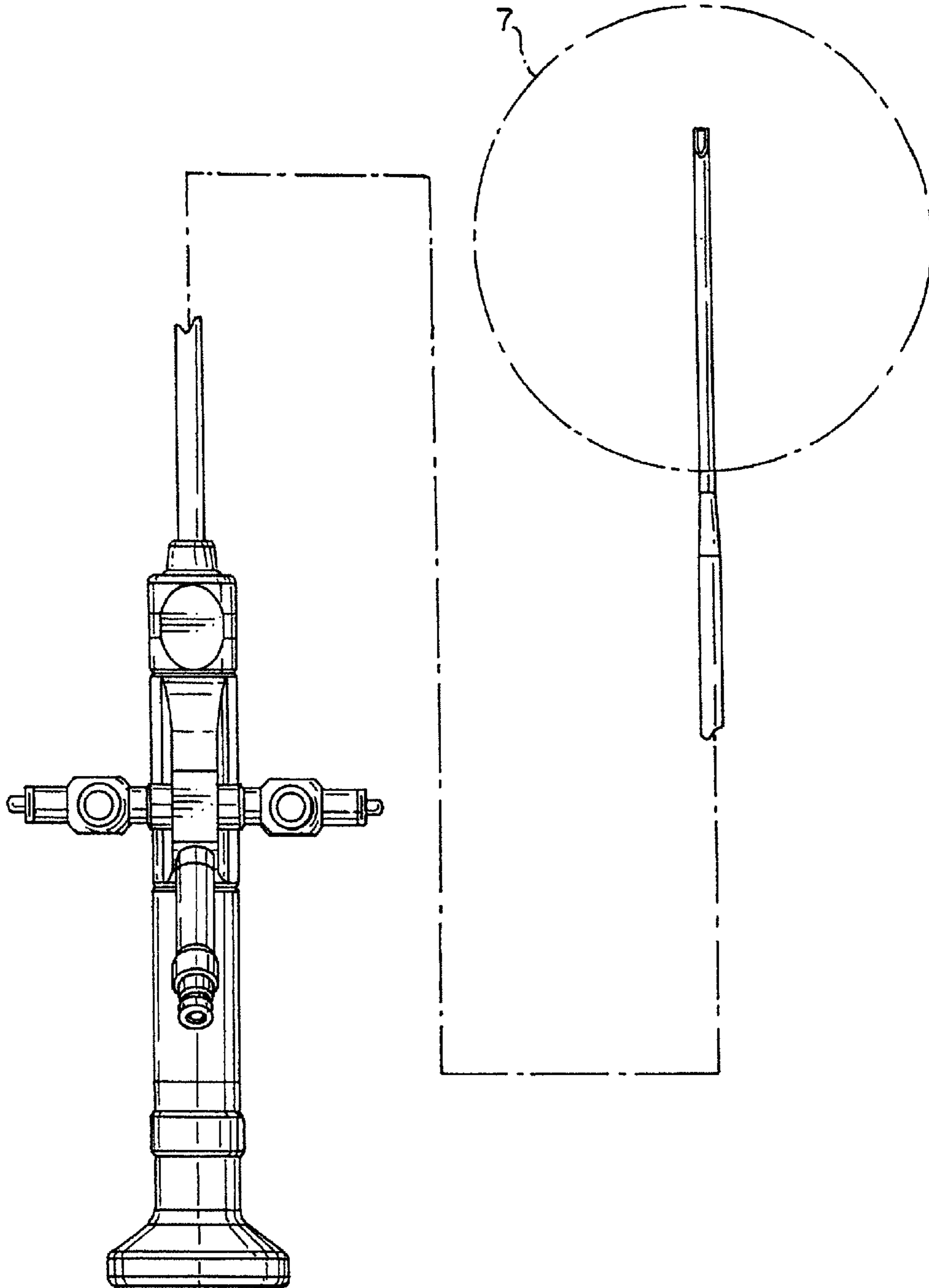


FIG. 4

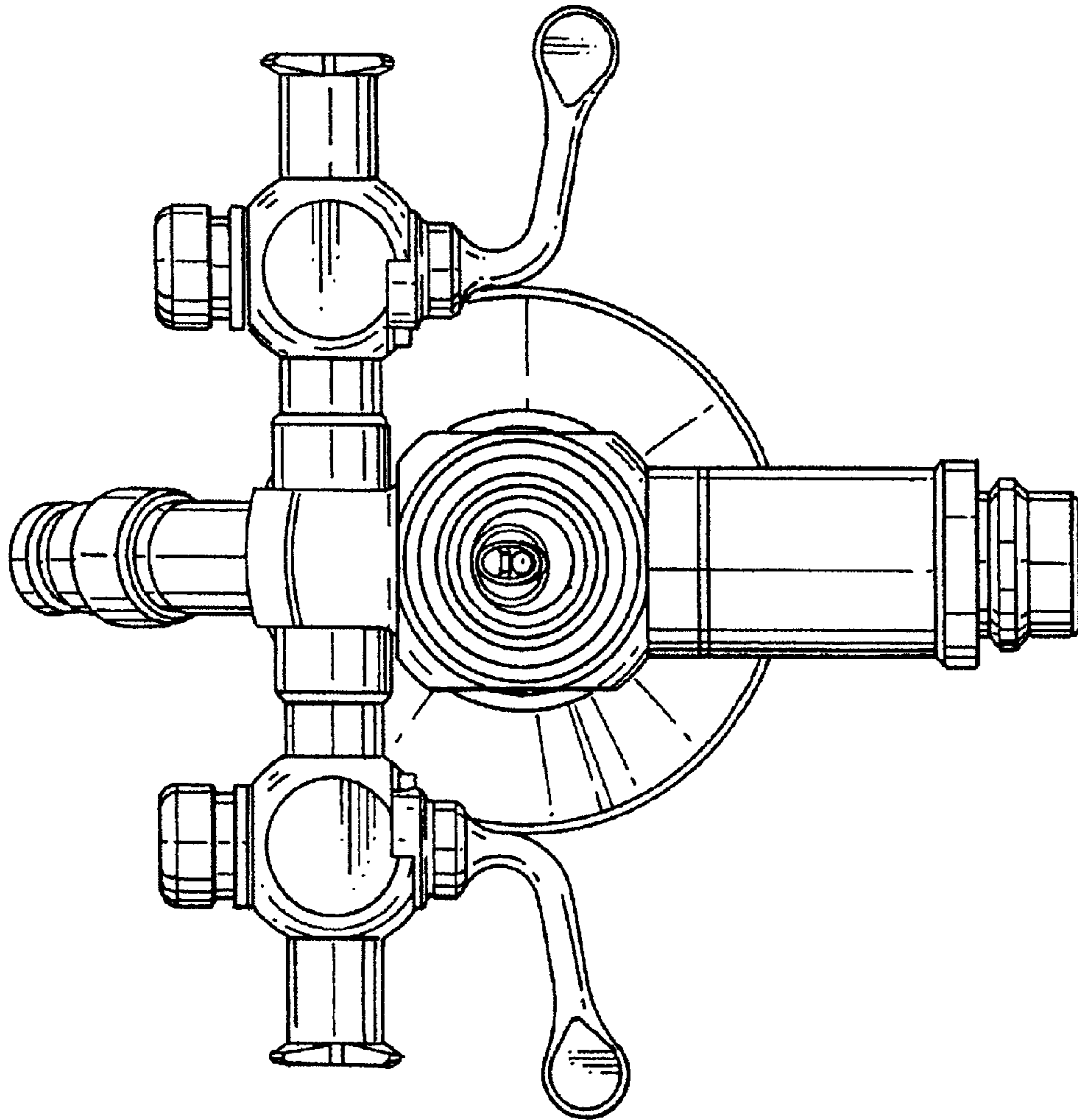


FIG. 5

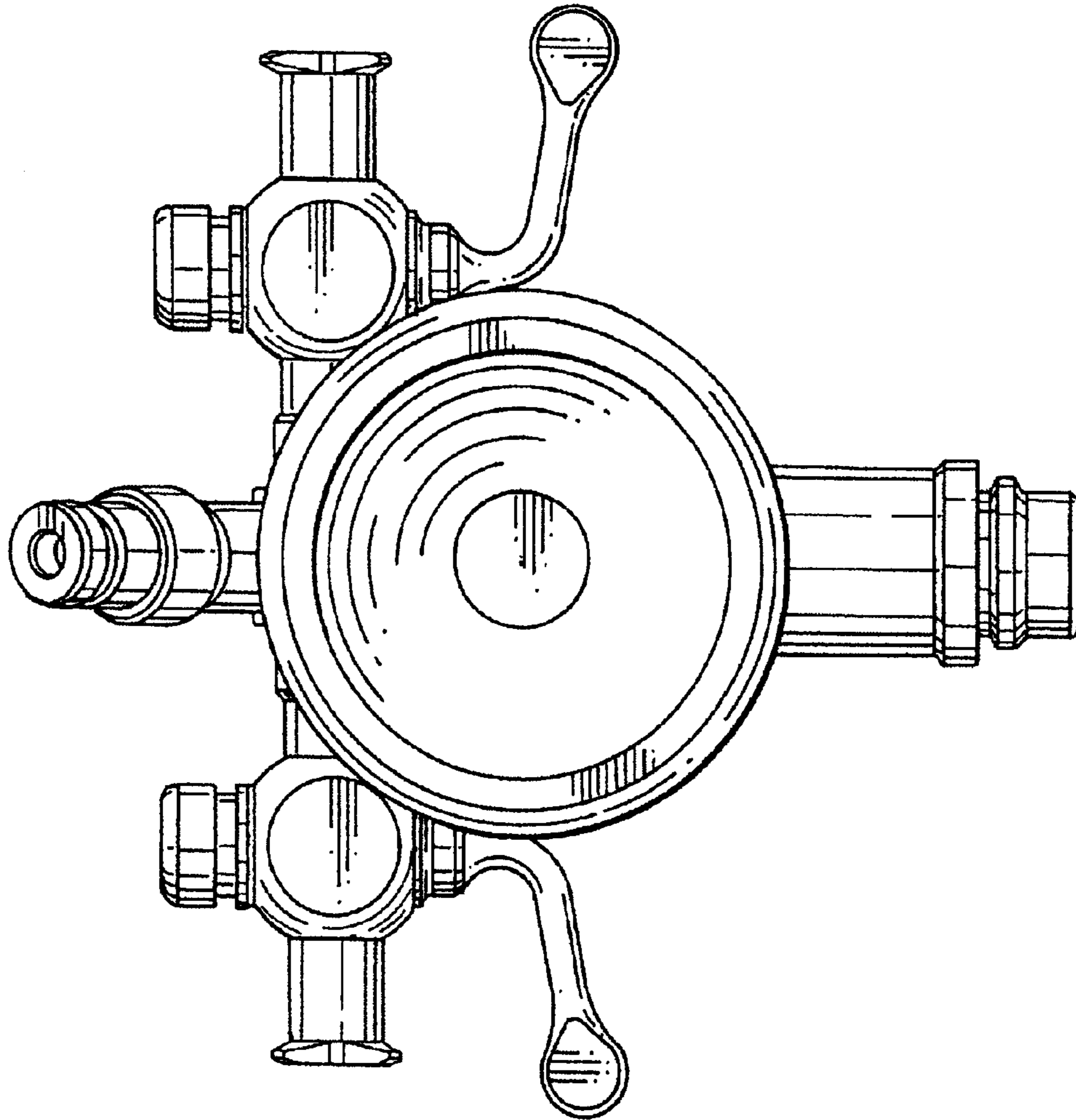


FIG. 6

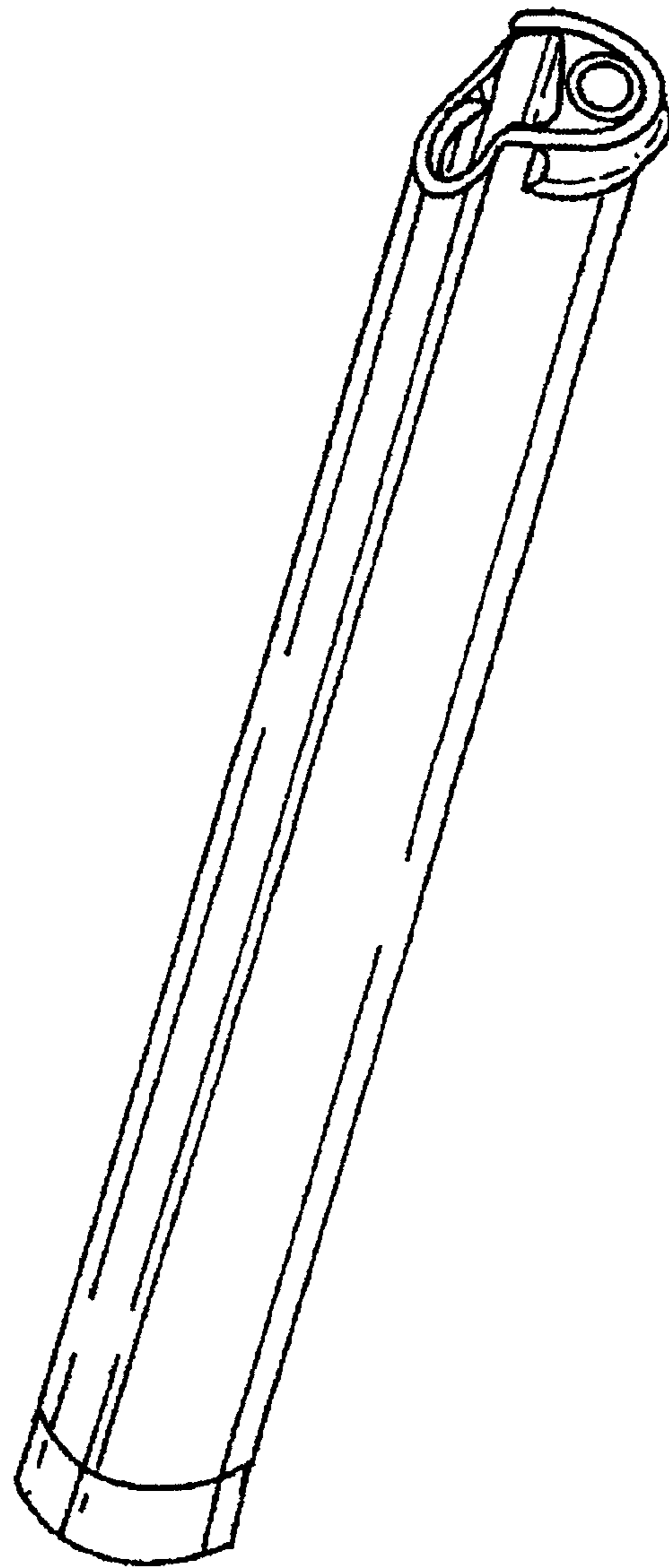


FIG. 7