



US00D536789S

(12) **United States Design Patent**
Schoellhorn

(10) **Patent No.:** **US D536,789 S**

(45) **Date of Patent:** **** Feb. 13, 2007**

(54) **MEDICAL HOOK**

(75) Inventor: **Joachim Schoellhorn**, Freiburg (DE)

(73) Assignee: **Karl Storz GmbH & Co. KG** (DE)

(**) Term: **14 Years**

(21) Appl. No.: **29/243,198**

(22) Filed: **Nov. 21, 2005**

(30) **Foreign Application Priority Data**

Jul. 22, 2005 (EM) 000376900-0001/0002

(51) **LOC (8) Cl.** **24-02**

(52) **U.S. Cl.** **D24/135**

(58) **Field of Classification Search** D24/135,
D24/136; 600/201, 206, 210, 213, 217, 227
See application file for complete search history.

(56) **References Cited**

U.S. PATENT DOCUMENTS

D361,381 S * 8/1995 Koros et al. D24/135

D399,955 S * 10/1998 Koros et al. D24/135
D421,803 S * 3/2000 Koros et al. D24/135
D425,620 S * 5/2000 Koros et al. D24/135

* cited by examiner

Primary Examiner—Antoine D. Davis

Assistant Examiner—Christopher Lee

(74) *Attorney, Agent, or Firm*—St. Onge Steward Johnston
& Reens LLC

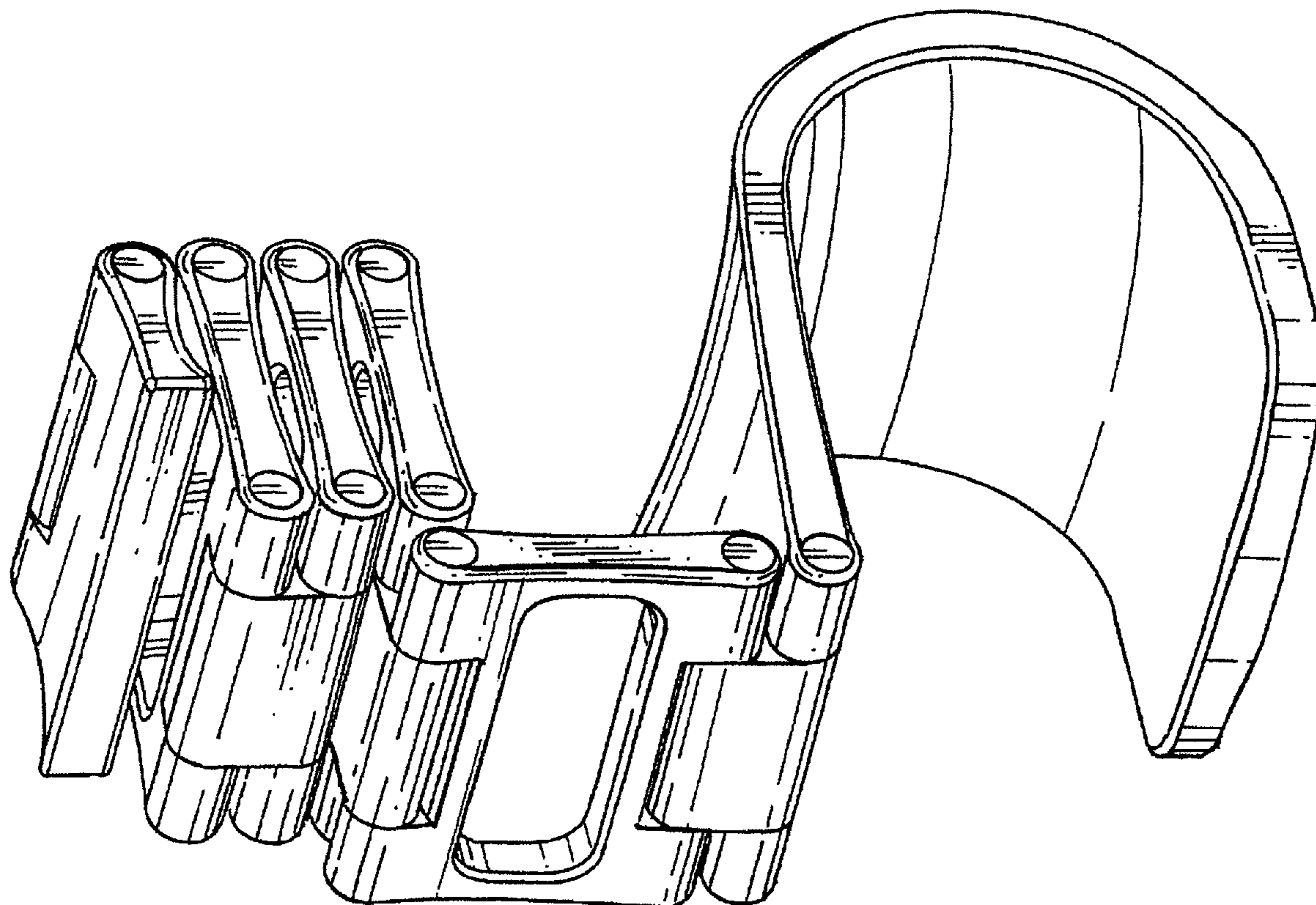
(57) **CLAIM**

The ornamental design for a medical hook, as shown and described.

DESCRIPTION

FIG. 1 is a perspective view of a medical hook in accordance with the new design;
FIG. 2 is a side view thereof;
FIG. 3 is a front view thereof;
FIG. 4 is a rear view thereof;
FIG. 5 is a top view thereof; and,
FIG. 6 is a bottom view thereof.

1 Claim, 6 Drawing Sheets



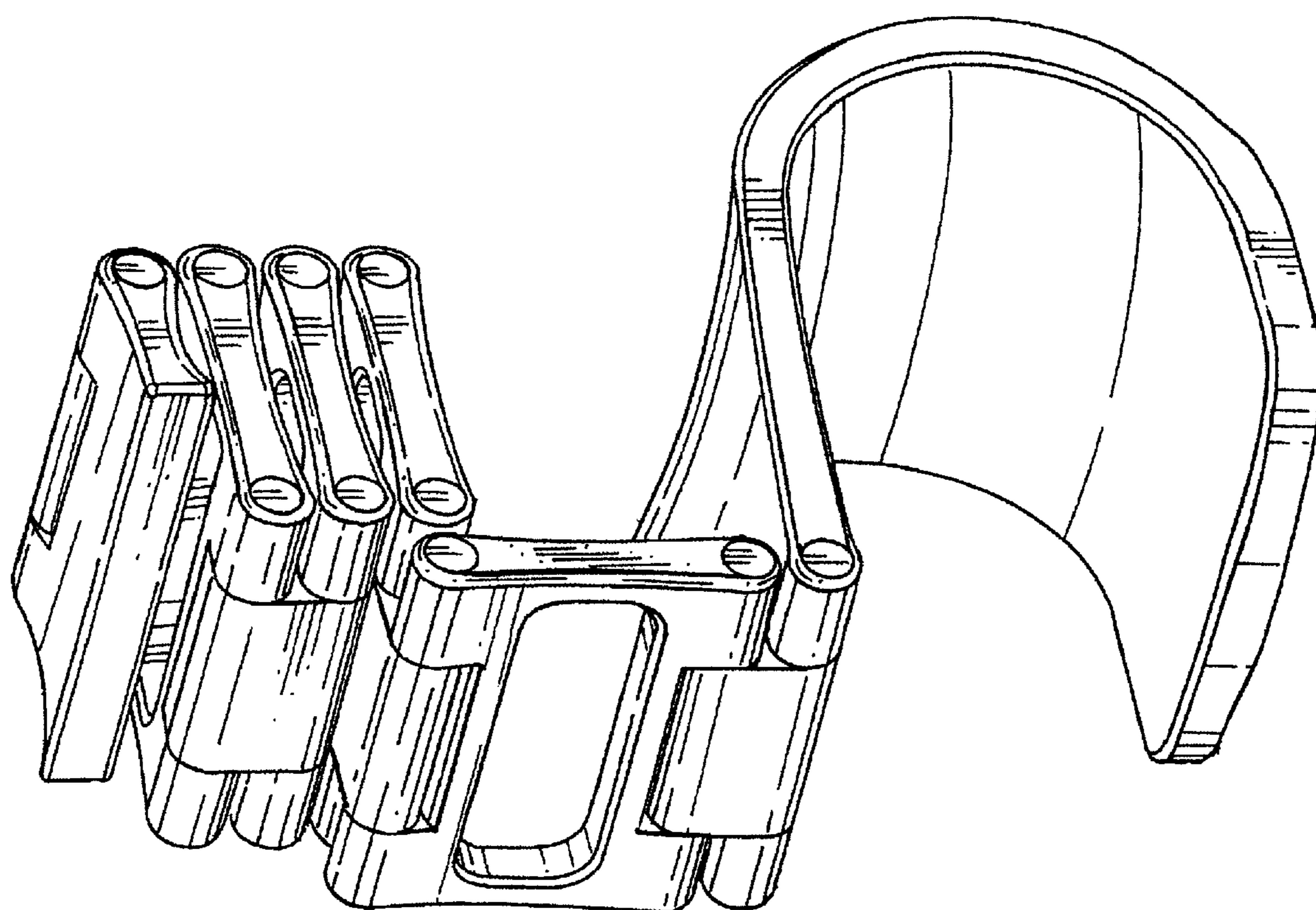


FIG. 1

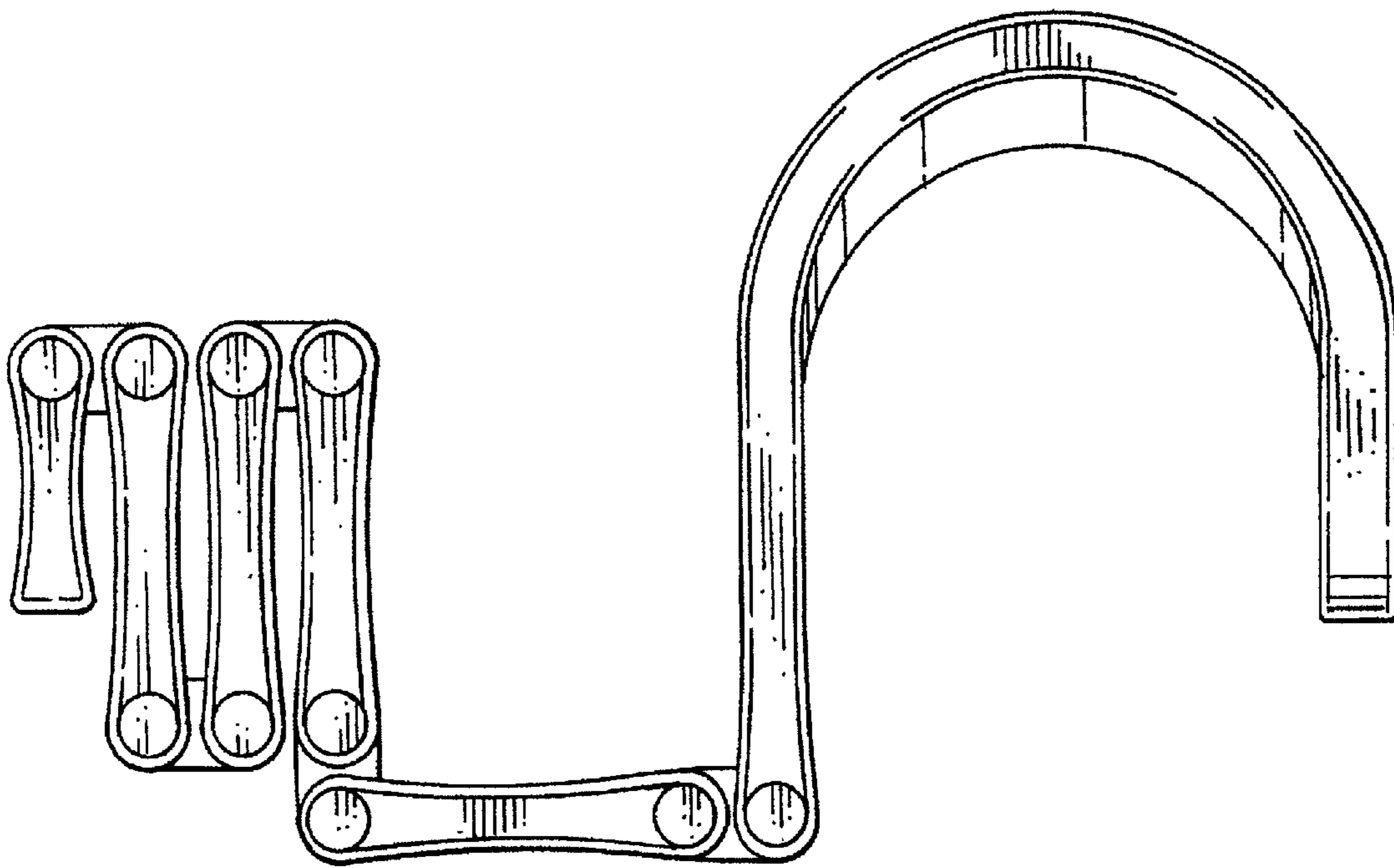


FIG. 2

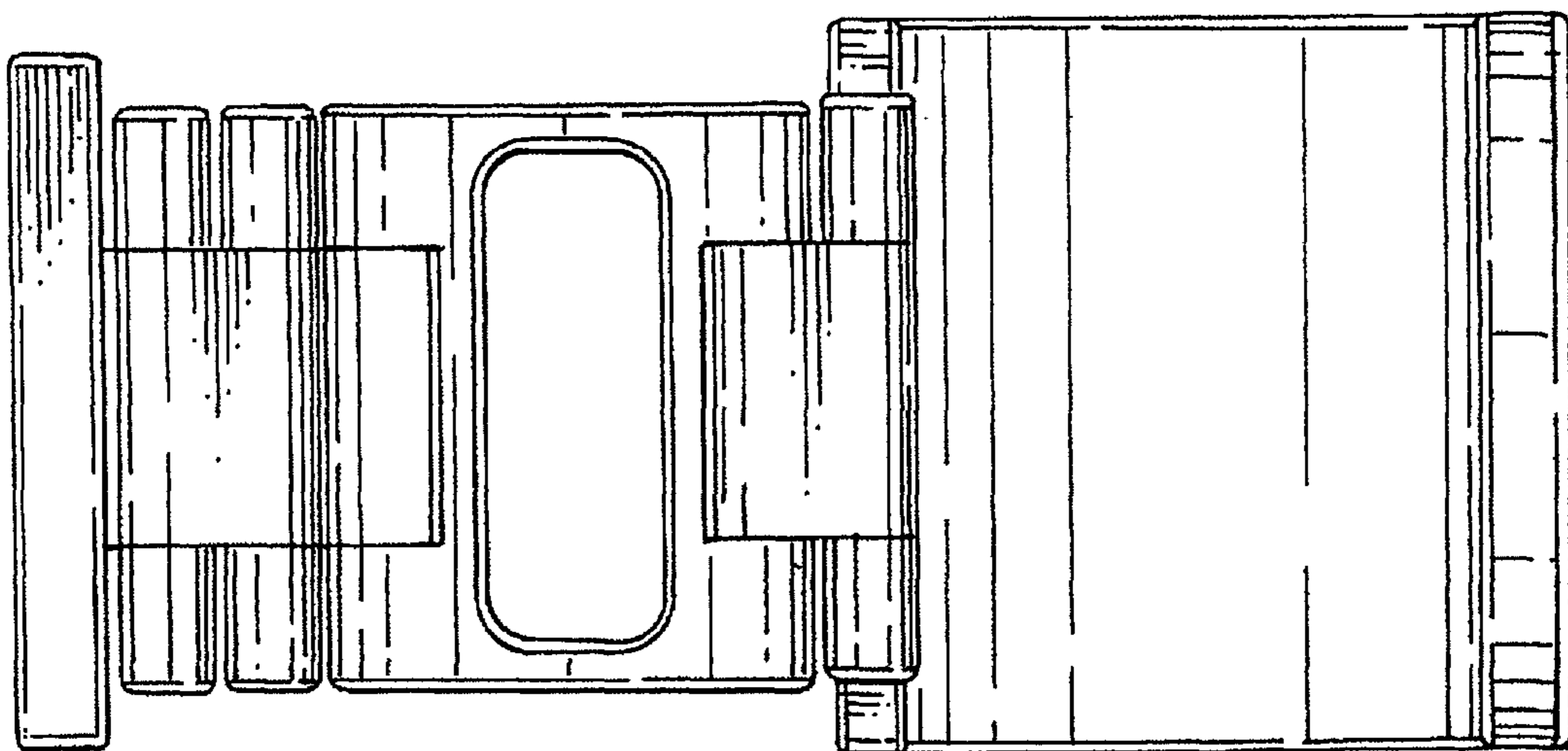


FIG. 3

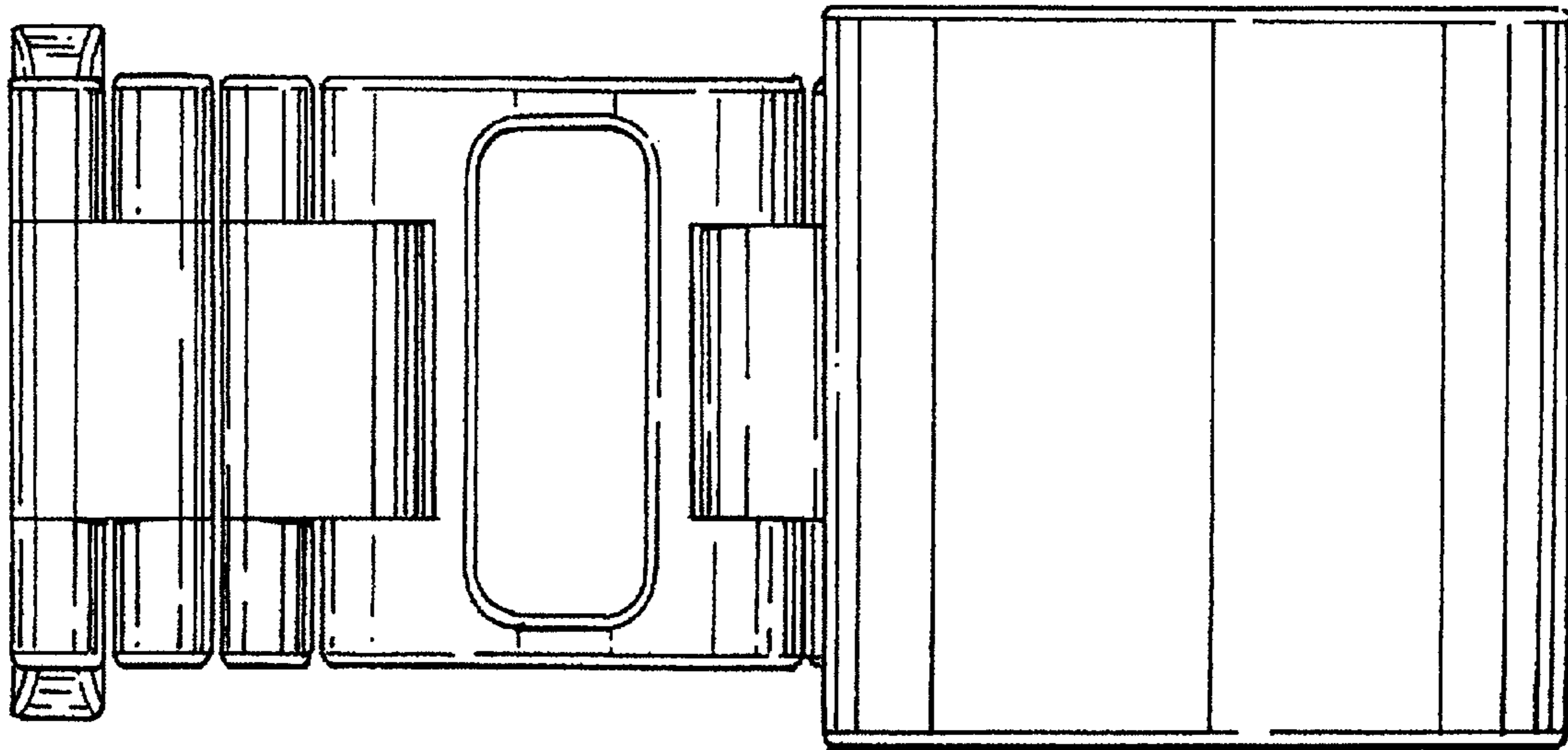


FIG. 4

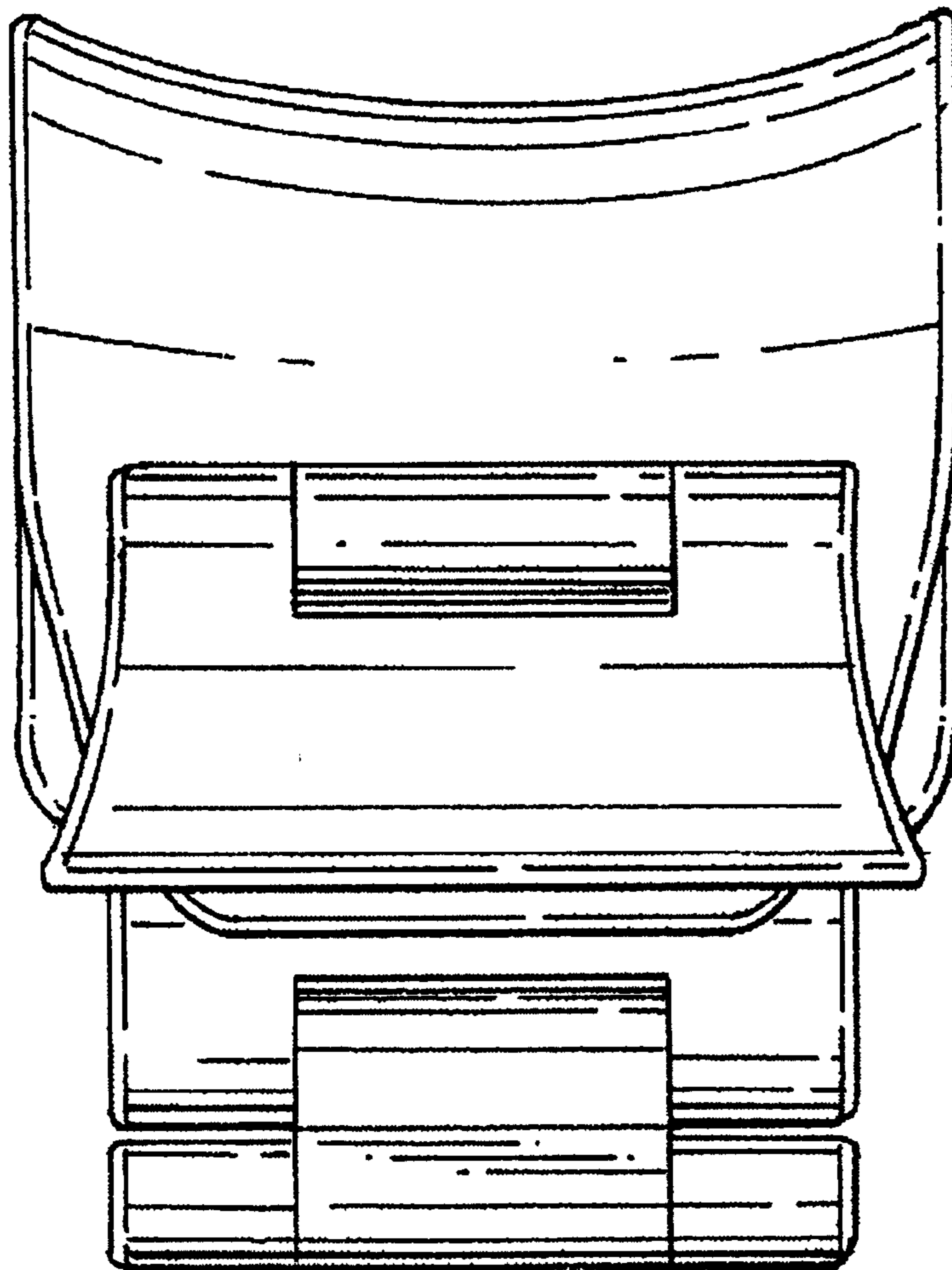


FIG. 5

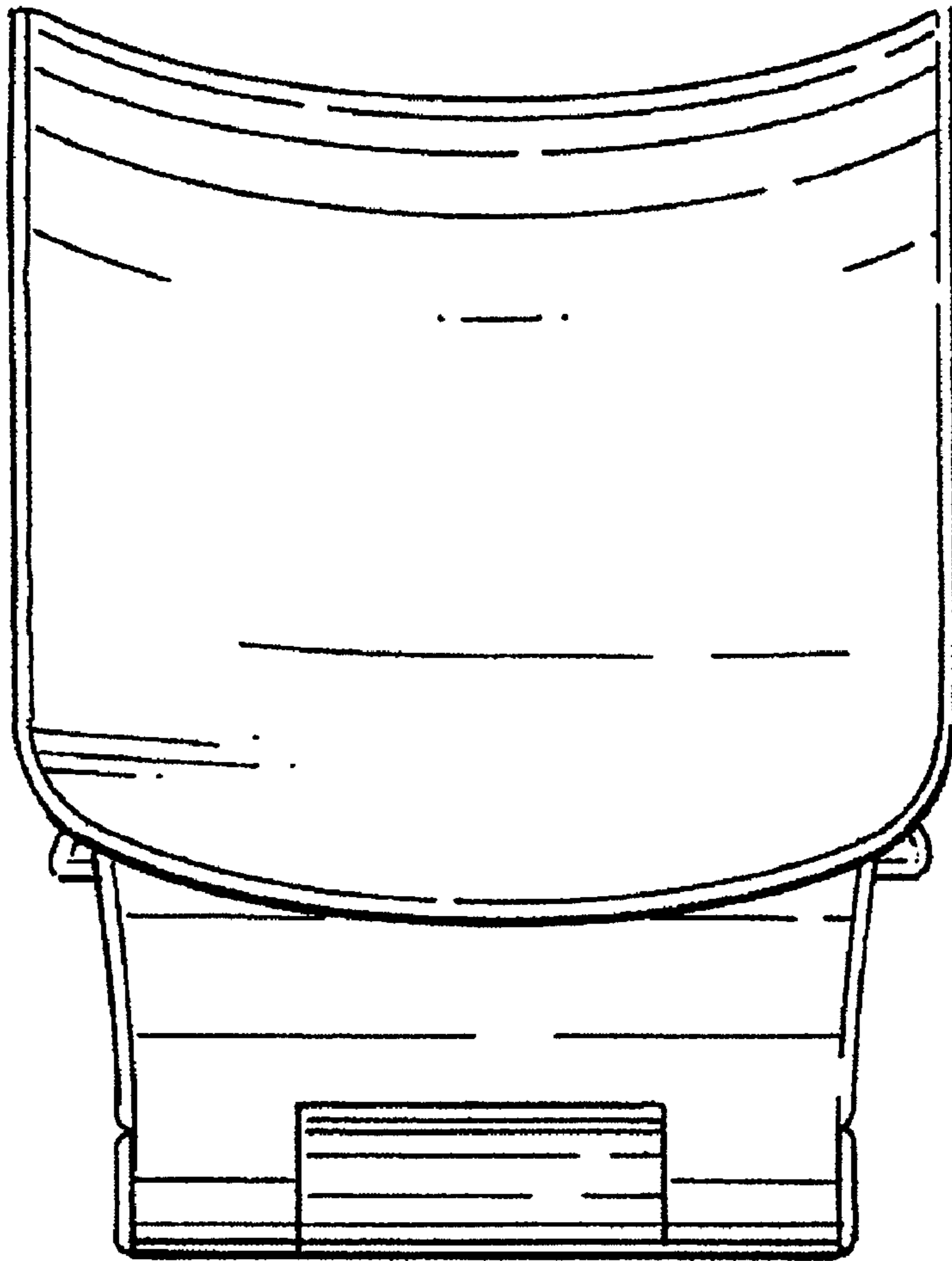


FIG. 6