



US00D536787S

(12) **United States Design Patent**
Rehbein et al.

(10) **Patent No.:** **US D536,787 S**

(45) **Date of Patent:** **** Feb. 13, 2007**

(54) **MEDICAL INSTRUMENT**

(75) Inventors: **Stefan Rehbein**,
Immendingen-Hattingen (DE); **Frank Doll**,
Talheim (DE)

(73) Assignee: **Karl Storz GmbH & Co. KG** (DE)

(**) Term: **14 Years**

(21) Appl. No.: **29/242,575**

(22) Filed: **Nov. 10, 2005**

(30) **Foreign Application Priority Data**

May 10, 2005 (EM) 000340971

(51) **LOC (8) Cl.** **24-02**

(52) **U.S. Cl.** **D24/133**

(58) **Field of Classification Search** D24/133,
D24/137, 138, 143, 147, 145, 146, 149; 606/46,
606/49, 170, 180; 600/105, 131, 157
See application file for complete search history.

(56) **References Cited**

U.S. PATENT DOCUMENTS

D458,368 S	*	6/2002	Berberich et al.	D24/133
D458,370 S	*	6/2002	Berberich et al.	D24/133
6,527,770 B2	*	3/2003	Dittrich et al.	606/46
6,974,458 B2	*	12/2005	Muller et al.	606/46
2003/0144663 A1	*	7/2003	Berberich et al.	606/46
2005/0267469 A1	*	12/2005	Blocher	606/46

OTHER PUBLICATIONS

Karl Storz Endoscopy, Urology 7th Edition, Jan. 2003, 4 pages.

Karl Storz Endoscopy, Gynecology, 4th Edition, Jan. 2003, 3 pages.

* cited by examiner

Primary Examiner—Antoine D. Davis

Assistant Examiner—Christopher Lee

(74) *Attorney, Agent, or Firm*—St. Onge Steward Johnston & Reens LLC

(57) **CLAIM**

The ornamental design for “medical instrument,” as shown and described.

DESCRIPTION

FIG. 1 is a perspective view of a medical instrument in accordance with the new design;

FIG. 2 is a left side view of the medical instrument of FIG. 1;

FIG. 3 is a right side view of the medical instrument of FIG. 1;

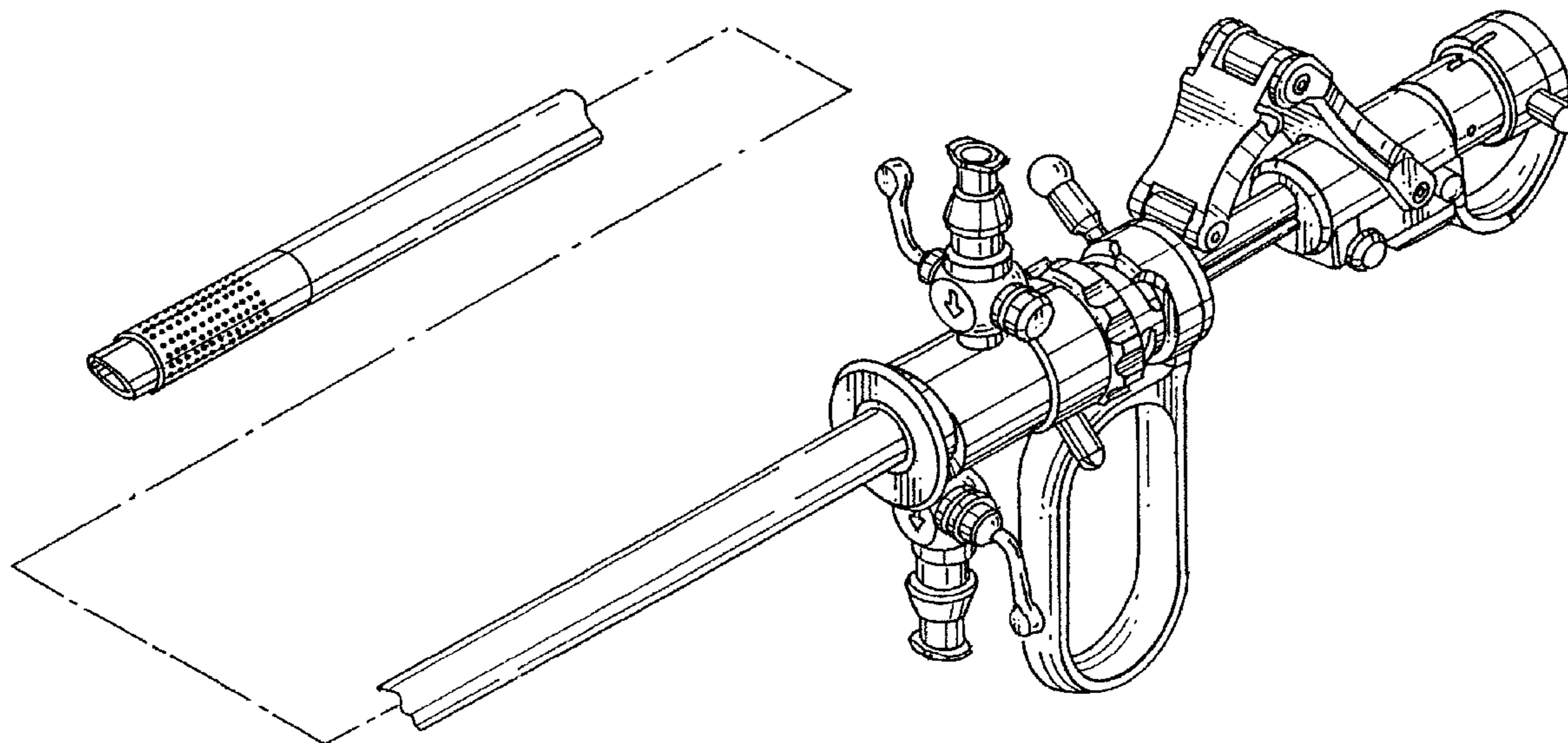
FIG. 4 is a front end view of the medical instrument of FIG. 1;

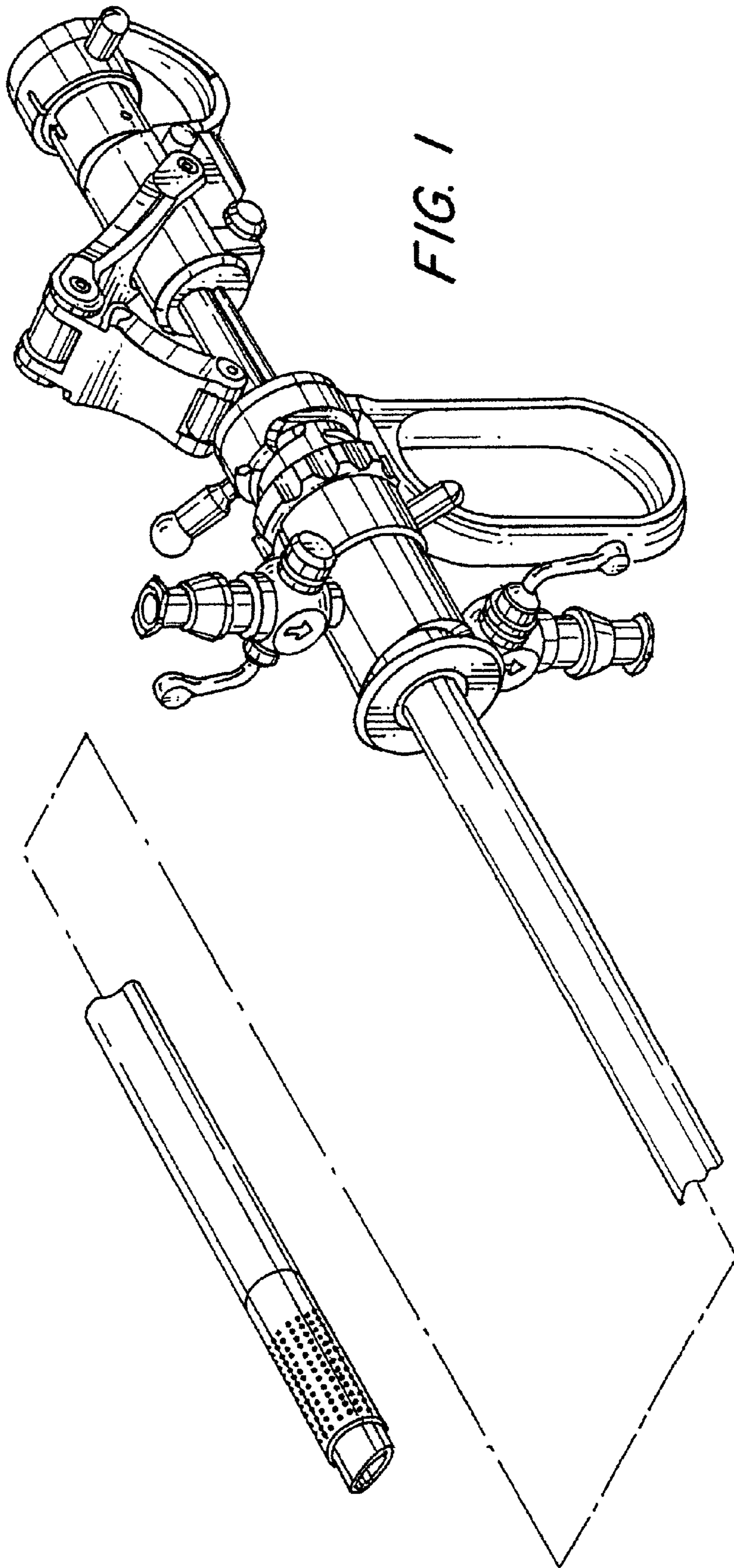
FIG. 5 is a rear end view of the medical instrument of FIG. 1;

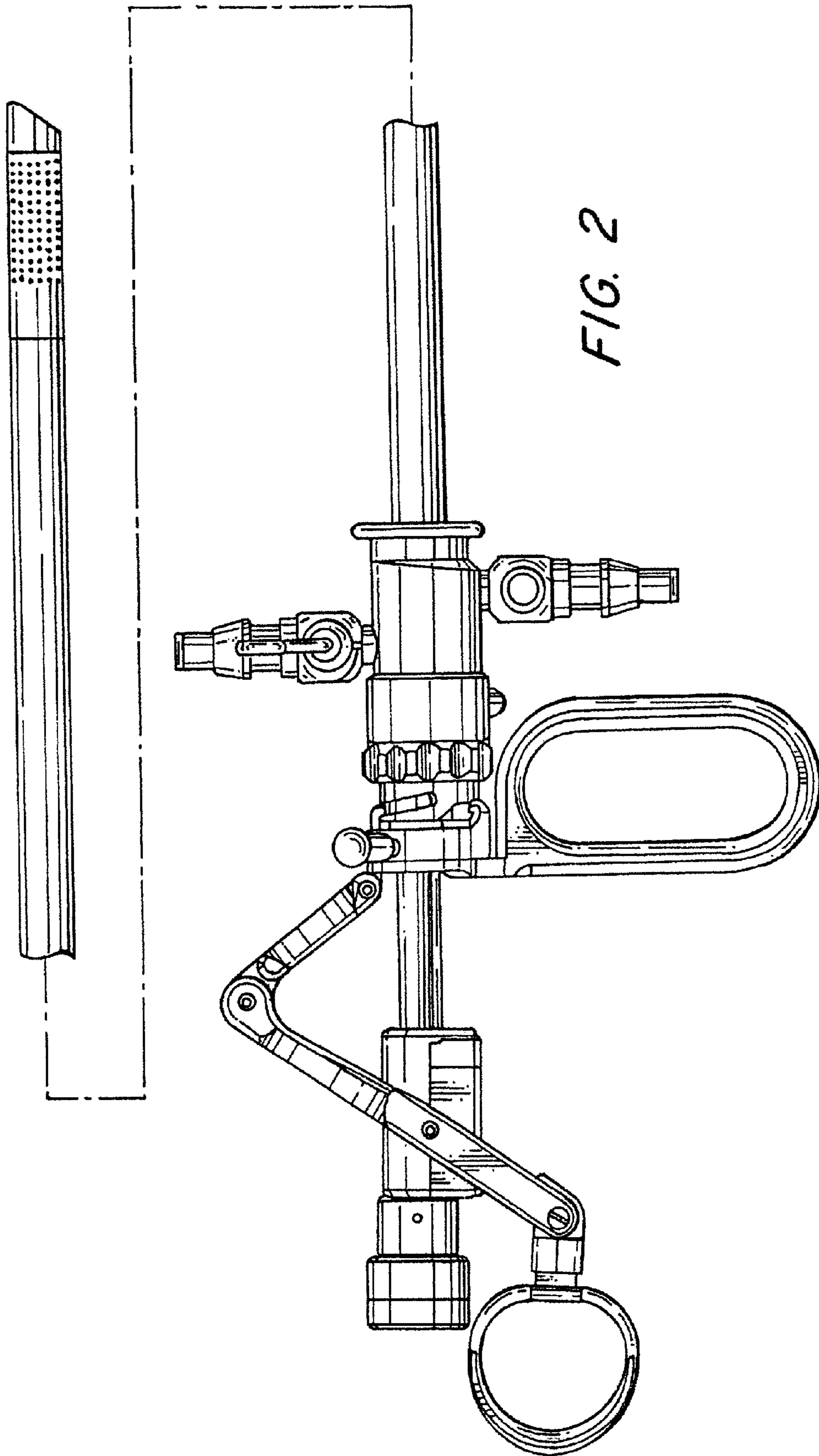
FIG. 6 is a top view of the medical instrument of FIG. 1; and,

FIG. 7 is a bottom view of the medical instrument of FIG. 1.

1 Claim, 7 Drawing Sheets







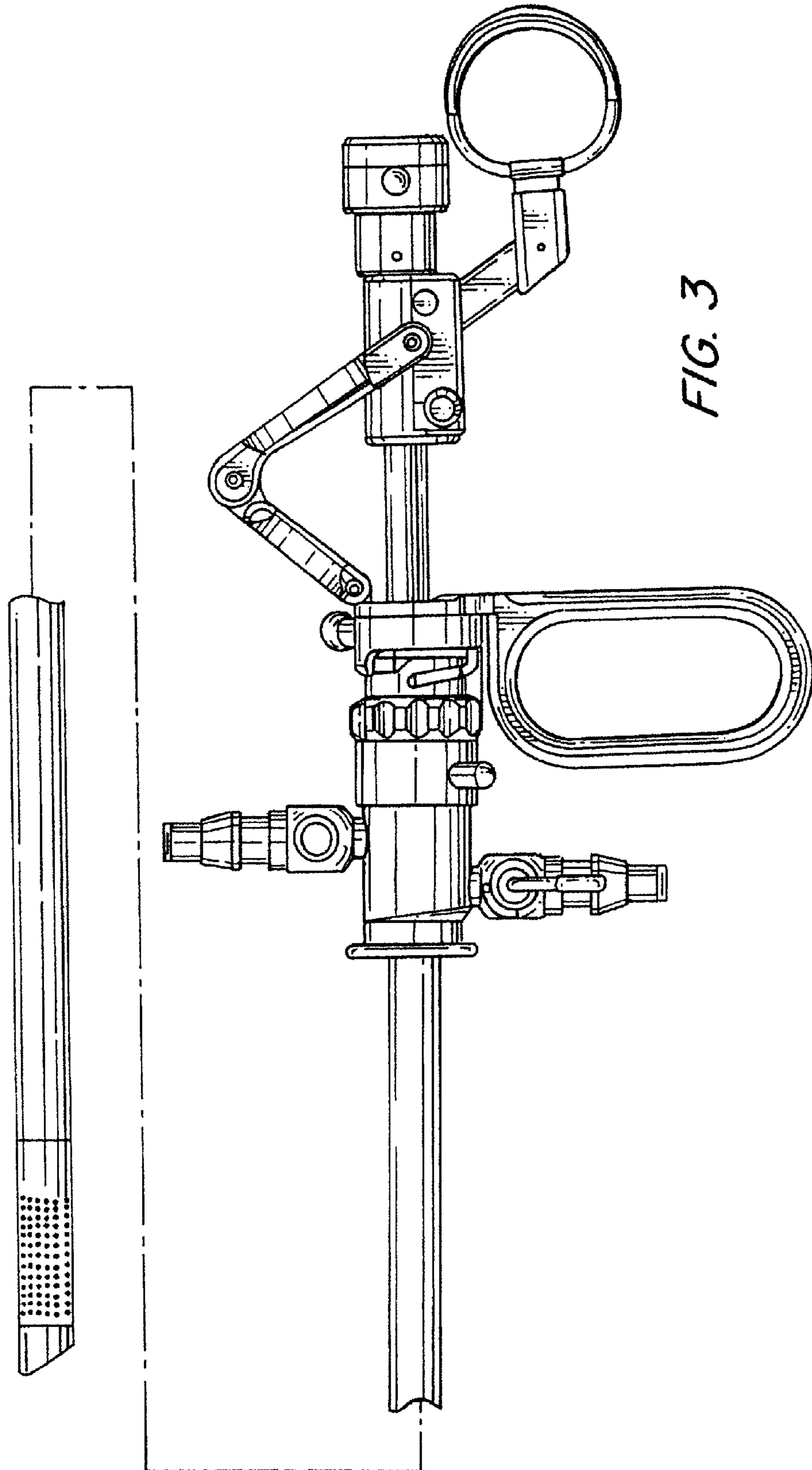


FIG. 3

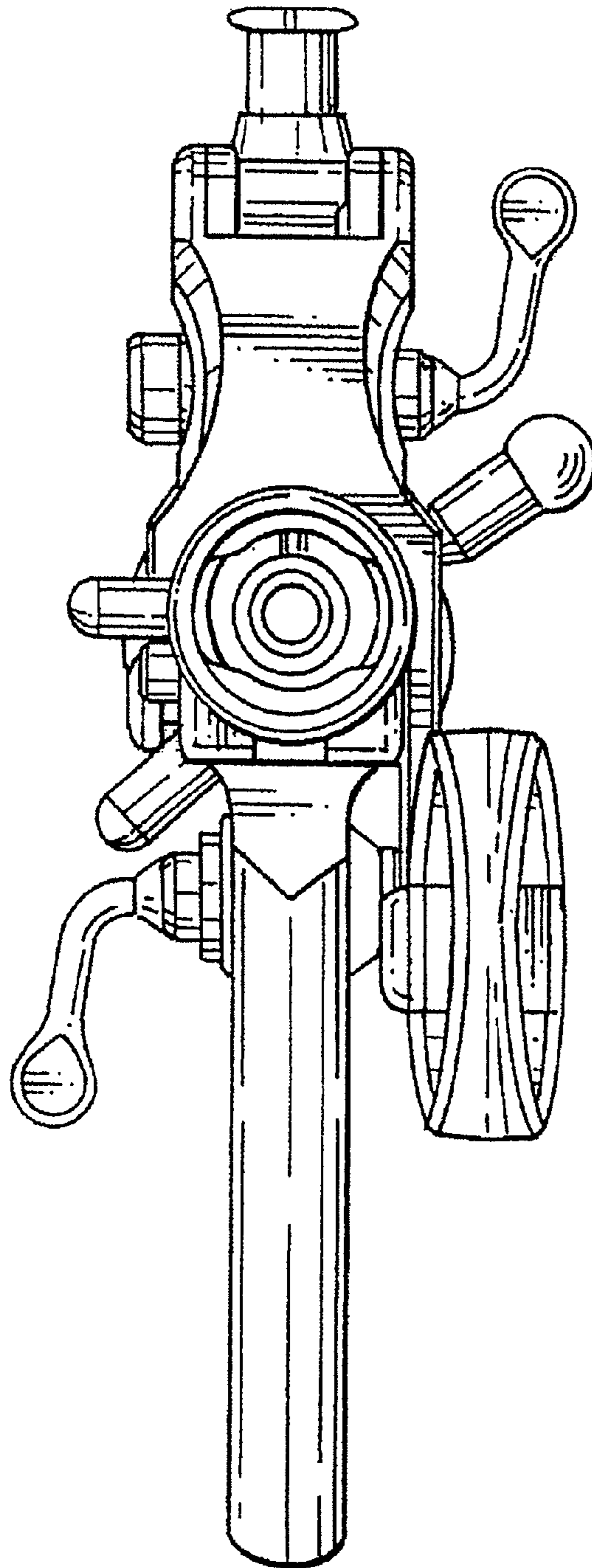


FIG. 4

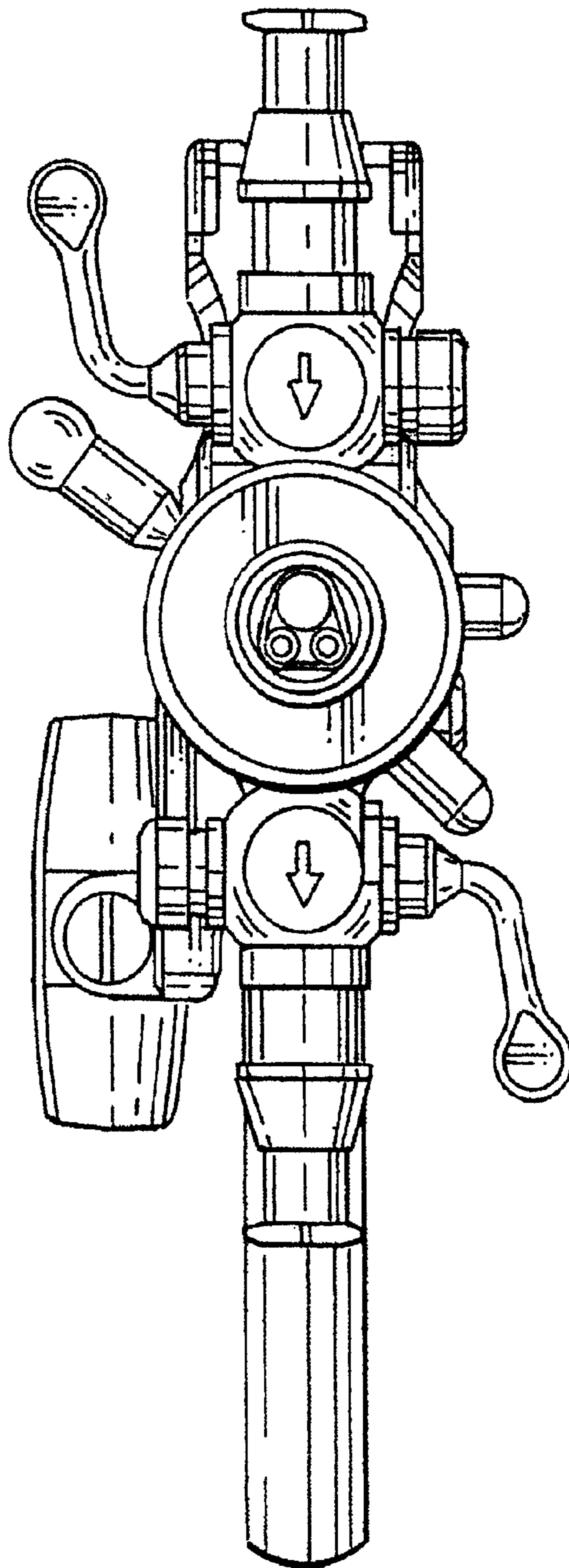


FIG. 5

FIG. 6

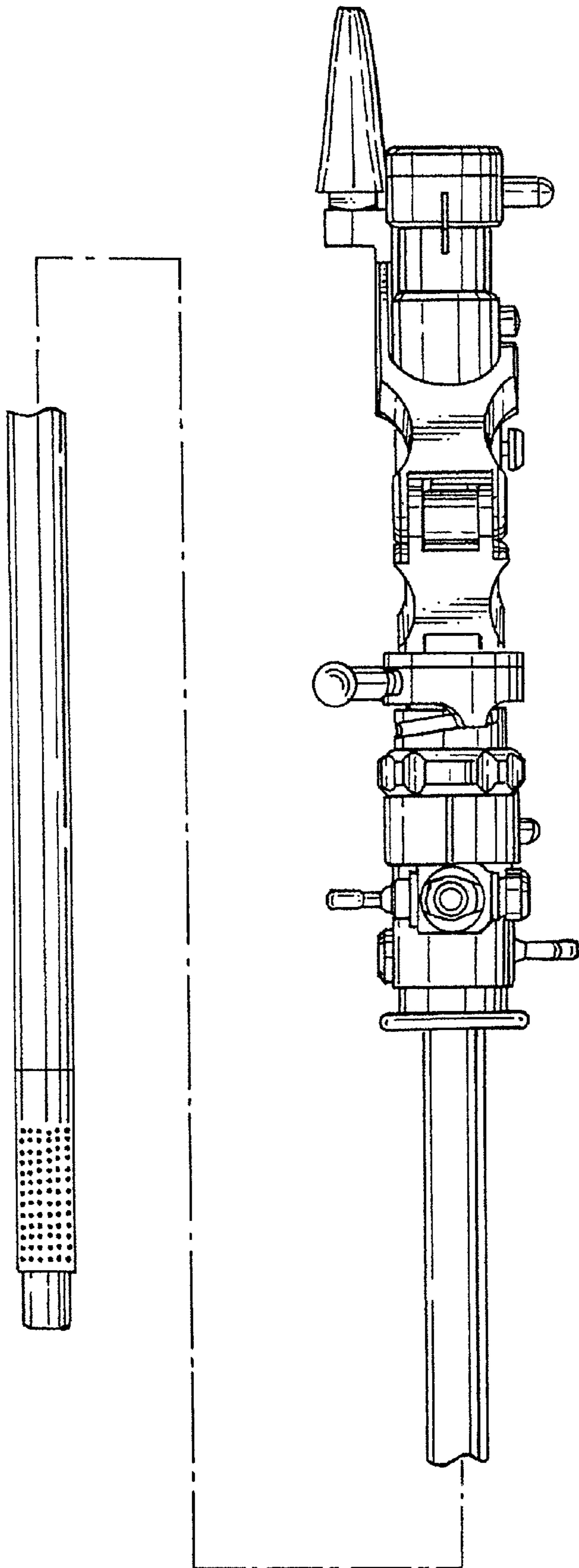


FIG. 7

