



US00D536783S

(12) **United States Design Patent**
Cise et al.

(10) **Patent No.:** **US D536,783 S**

(45) **Date of Patent:** **** *Feb. 13, 2007**

(54) **ENTERAL FEEDING PUMP CASSETTE CONNECTOR**

(75) Inventors: **David Cise**, Herriman, UT (US); **David J. McNally**, Salt Lake City, UT (US); **Kent Beck**, Layton, UT (US); **Scott D. Miles**, Sandy, UT (US)

(73) Assignee: **Zevex, Inc.**, Salt Lake City, UT (US)

(*) Notice: This patent is subject to a terminal disclaimer.

(**) Term: **14 Years**

(21) Appl. No.: **29/216,076**

(22) Filed: **Oct. 28, 2004**

Related U.S. Application Data

(60) Division of application No. 29/178,223, filed on Mar. 21, 2003, now Pat. No. Des. 501,924, which is a continuation-in-part of application No. 29/163,153, filed on Jun. 28, 2002, now Pat. No. Des. 504,506.

(51) **LOC (8) Cl.** **24-02**

(52) **U.S. Cl.** **D24/111**

(58) **Field of Classification Search** D24/111, D24/129; 604/131, 246, 154, 153, 249, 151, 604/67; 128/DIG. 12; 417/477.1, 477.2, 477.4, 417/477.5, 477.14

See application file for complete search history.

(56) **References Cited**

U.S. PATENT DOCUMENTS

2,471,623 A	5/1949	Hubbell
2,518,165 A	8/1950	Millard
2,858,095 A	10/1958	Harris et al.
2,999,499 A	9/1961	Willet
3,213,882 A	10/1965	Beatty
3,329,391 A	7/1967	Deane
3,985,140 A	10/1976	Harris
3,998,364 A	12/1976	Hollander
4,037,596 A	7/1977	LeFevre et al.

4,063,555 A	12/1977	Ulinder
4,065,093 A	12/1977	Phillips
4,106,675 A	8/1978	Taylor
4,142,645 A	3/1979	Walton
4,230,151 A	10/1980	Johnsson
4,236,880 A	12/1980	Archibald
4,381,591 A	5/1983	Barger et al.
4,382,453 A	5/1983	Bujan et al.
4,425,116 A	1/1984	Bilstad et al.

(Continued)

FOREIGN PATENT DOCUMENTS

EP	0 150 666 A1	9/1984
EP	0 423 978 A2	10/1990
EP	0 483 794 A1	10/1991

Primary Examiner—Ian Simmons

(74) *Attorney, Agent, or Firm*—Bateman IP Law Group

(57) **CLAIM**

The ornamental design for an enteral feeding pump cassette connector, as shown and described.

DESCRIPTION

FIG. 1 shows a perspective view of a enteral feeding pump cassette connector made in accordance with the design of the present invention;

FIG. 2 shows a bottom perspective view of the enteral feeding pump cassette connector of FIG. 1;

FIG. 3 shows a top view of the enteral feeding pump cassette connector of FIG. 1;

FIG. 4 shows a right side view of the enteral feeding pump cassette connector of FIG. 1;

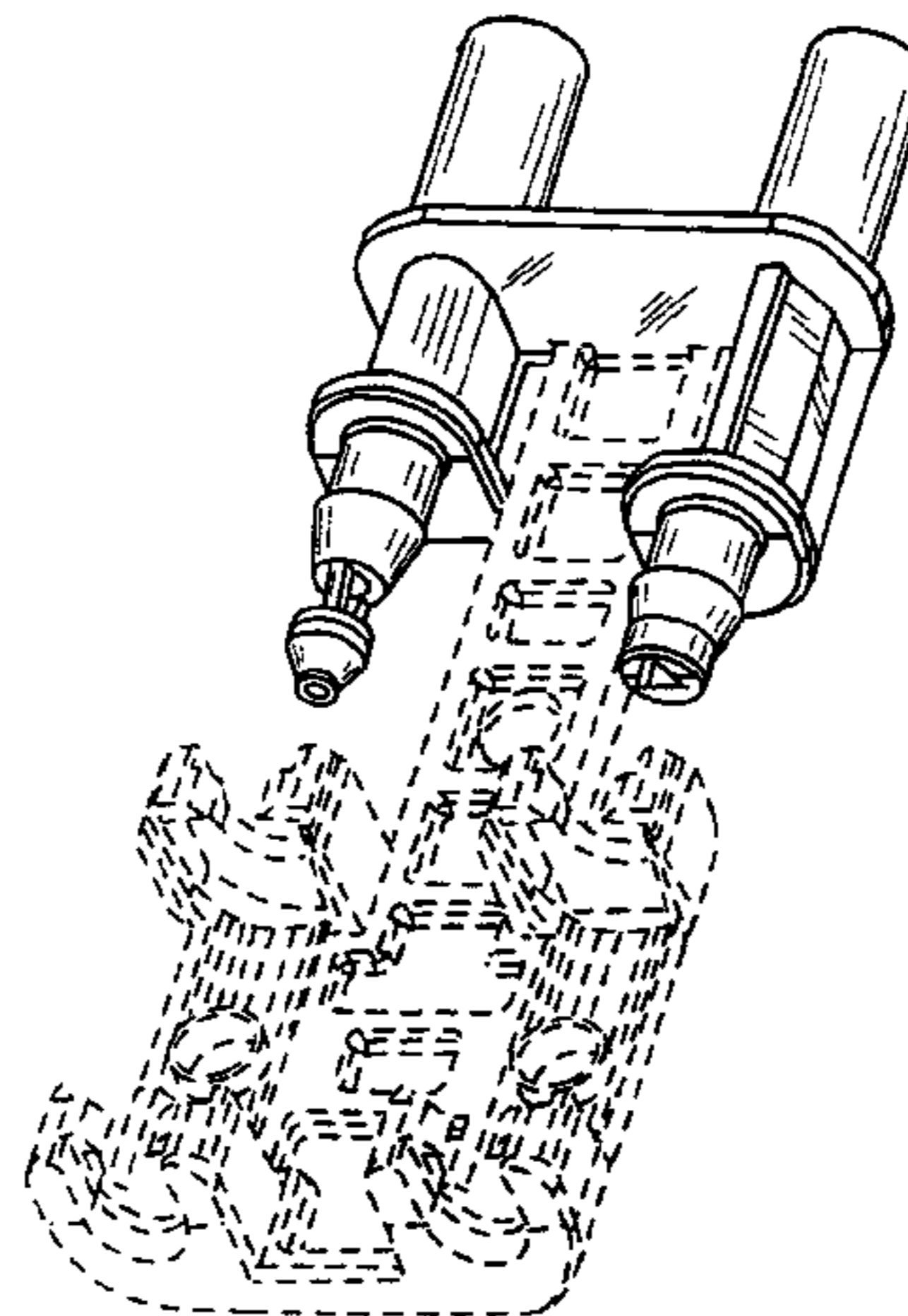
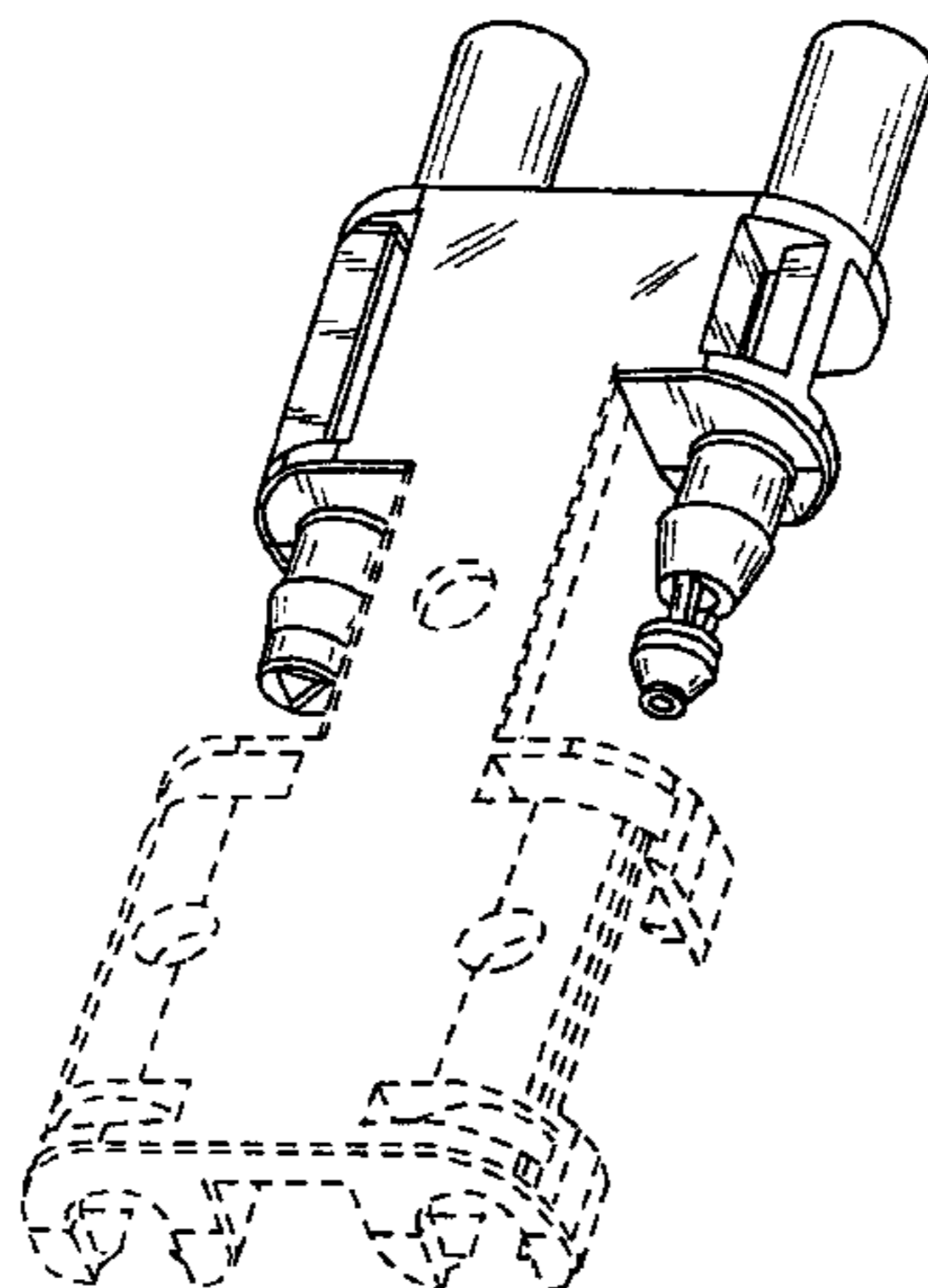
FIG. 5 shows a left side view of the enteral feeding pump cassette connector of FIG. 1;

FIG. 6 shows an end view of the enteral feeding pump cassette connector of FIG. 1; and,

FIG. 7 shows an opposing end of the enteral feeding pump cassette connector of FIG. 1.

The broken line showing is for illustrative purposes only and forms no part of the claimed design.

1 Claim, 2 Drawing Sheets



US D536,783 S

Page 2

U.S. PATENT DOCUMENTS					
			5,265,847 A	11/1993	Vorhis
			5,336,174 A	8/1994	Daoud et al.
4,453,295 A	6/1984	Laszczower	5,395,351 A	3/1995	Munsch
4,498,843 A	2/1985	Schneider et al.	5,396,925 A	3/1995	Poli
4,524,802 A	6/1985	Lawrence et al.	D357,312 S	4/1995	Riquier et al.
4,527,588 A	7/1985	Tseo et al.	5,474,544 A	12/1995	Lynn
4,559,045 A	12/1985	Danby et al.	5,482,446 A	1/1996	Williamson et al.
4,579,553 A	4/1986	Urquhart et al.	5,531,713 A	7/1996	Mastronardi et al.
4,596,557 A	6/1986	Pexa	D374,718 S	10/1996	Dodge et al.
4,624,663 A	11/1986	Danby et al.	5,578,070 A	11/1996	Utterberg
4,634,092 A	1/1987	Daniell et al.	5,704,584 A	1/1998	Winterer et al.
4,645,489 A	2/1987	Krumme et al.	5,807,312 A	9/1998	Dzwonkiewicz
4,689,043 A	8/1987	Bisha	5,810,323 A	9/1998	Winterer et al.
4,728,324 A	3/1988	Steigerwald et al.	5,826,621 A	10/1998	Jemmott
4,730,635 A	3/1988	Linden	6,017,332 A	1/2000	Urrutia
4,913,401 A	4/1990	Handke	6,092,695 A	7/2000	Loeffler
4,935,010 A	6/1990	Cox et al.	6,183,447 B1	2/2001	Urrutia
4,950,245 A	8/1990	Brown et al.	6,196,992 B1	3/2001	Keilman et al.
4,960,259 A	10/1990	Sunnanväder et al.	6,209,538 B1	4/2001	Casper et al.
5,020,562 A	6/1991	Richmond et al.	D455,489 S	4/2002	Beck et al.
5,022,422 A	6/1991	di Palma	6,398,758 B1	6/2002	Jacobsen et al.
D319,312 S	8/1991	Schneider	6,398,780 B1	6/2002	Farley et al.
5,083,561 A	1/1992	Russo	6,461,335 B1	10/2002	Noecker
5,098,406 A	3/1992	Sawyer	6,595,950 B1	7/2003	Miles et al.
5,151,019 A	9/1992	Danby et al.	6,623,447 B2	9/2003	Miles et al.
5,219,327 A	6/1993	Okada	6,659,976 B2	12/2003	Beck et al.
5,232,193 A	8/1993	Skakoon	D507,647 S *	7/2005	Beck et al. D24/111
5,238,218 A	8/1993	Mackal			
5,257,978 A	11/1993	Haber et al.			

* cited by examiner

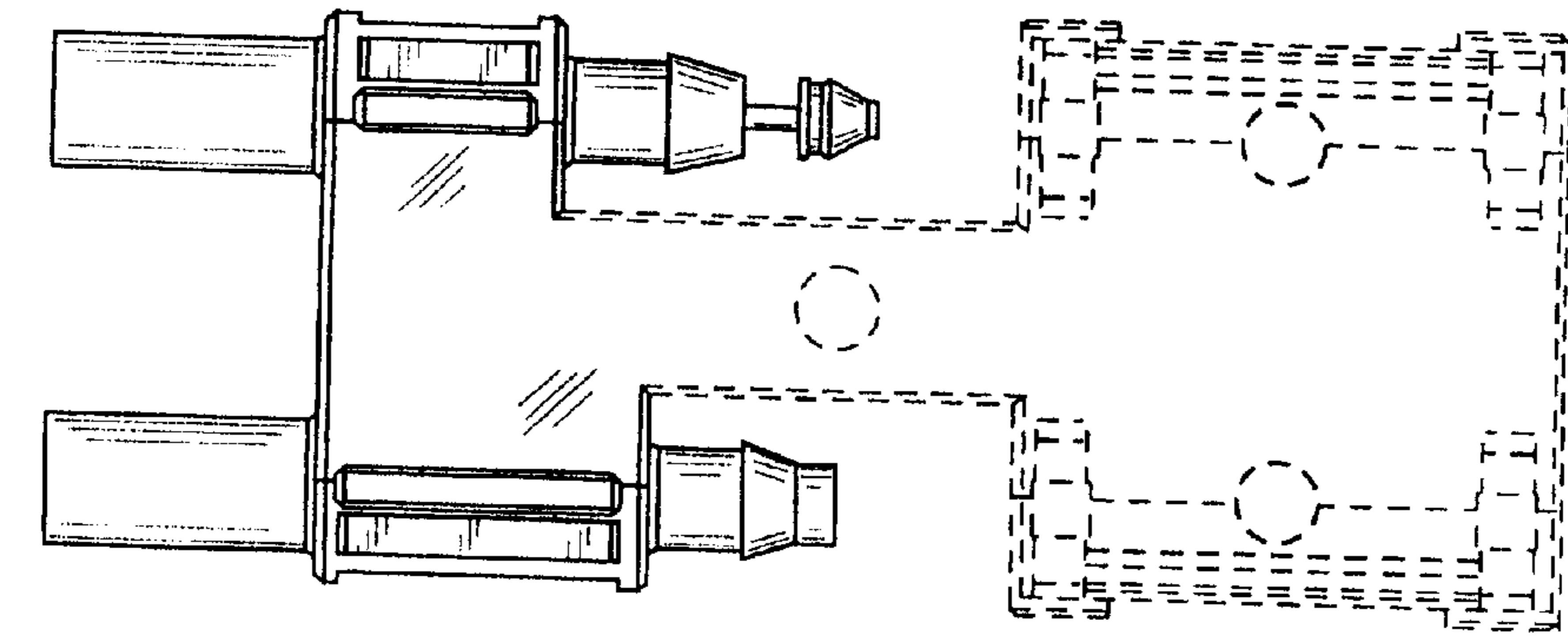


FIG. 3

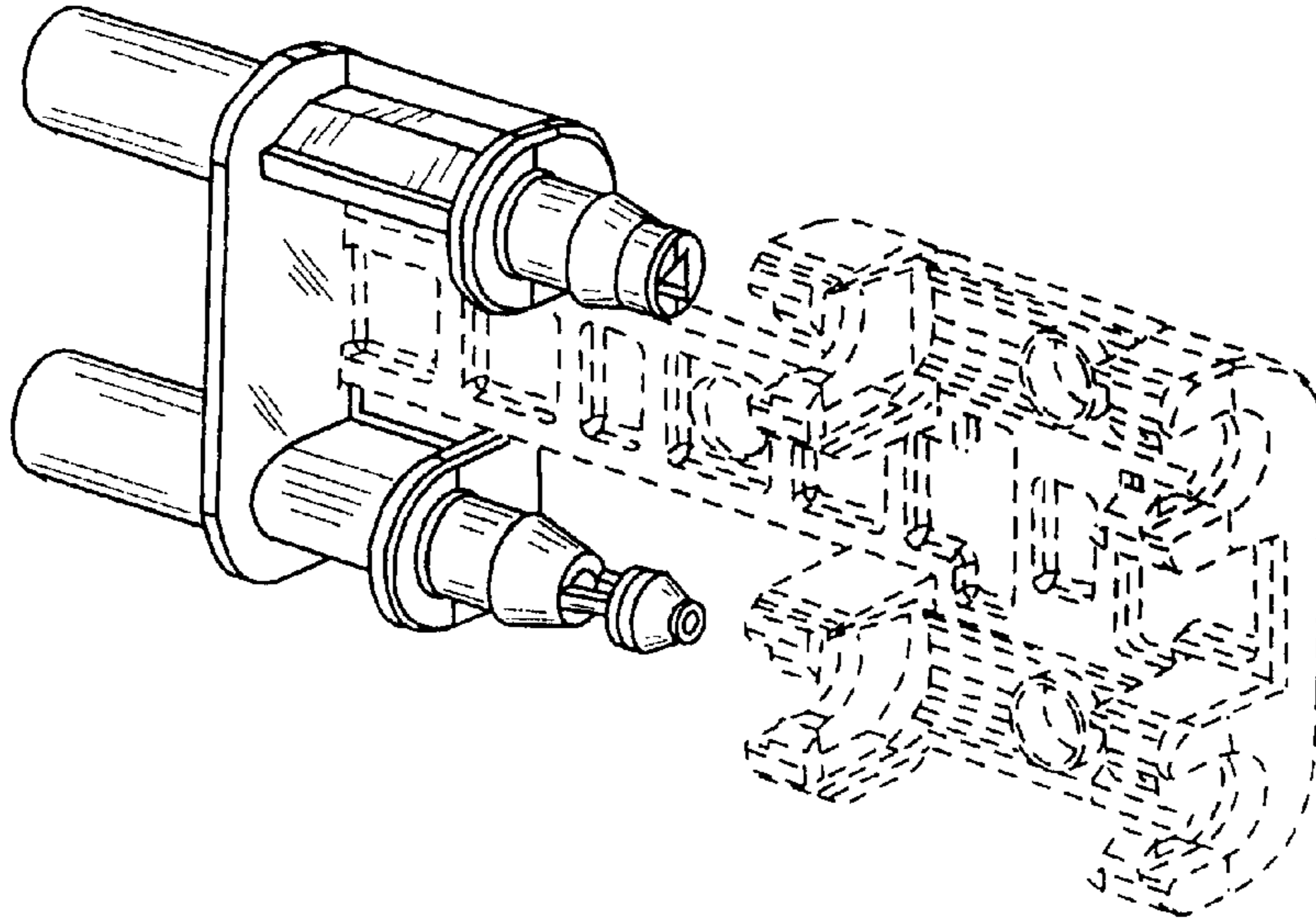


FIG. 2

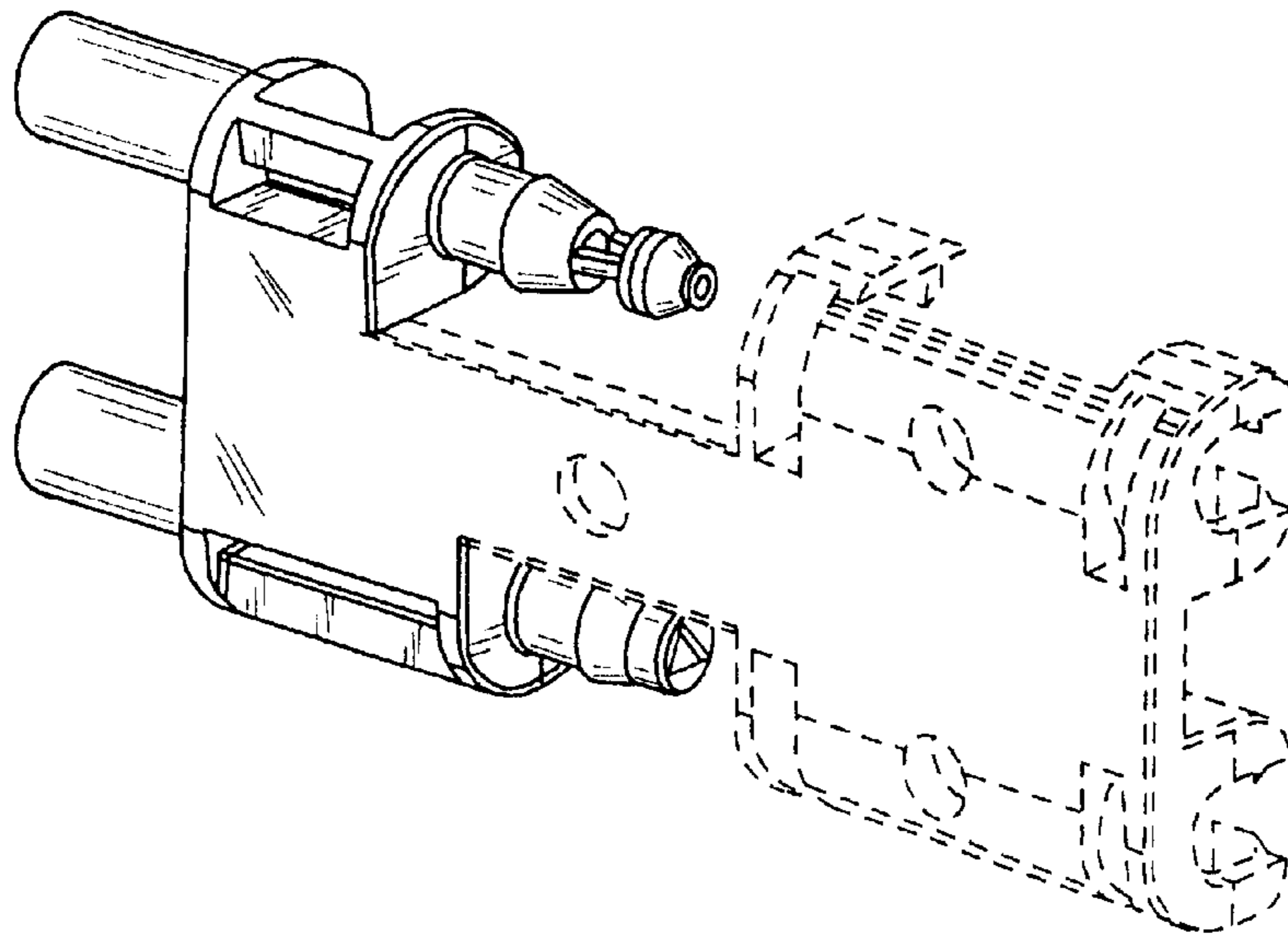


FIG. 1

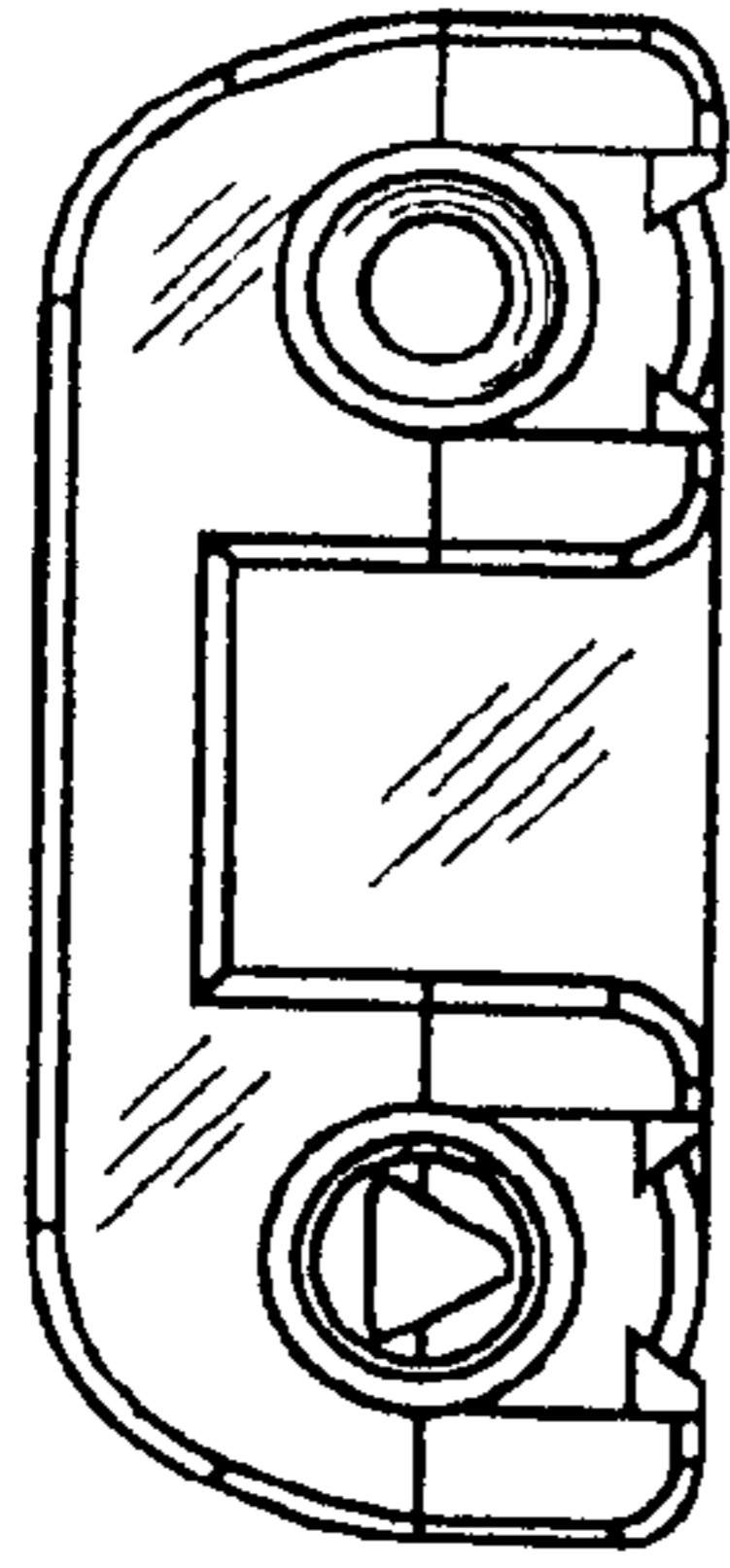


FIG. 6

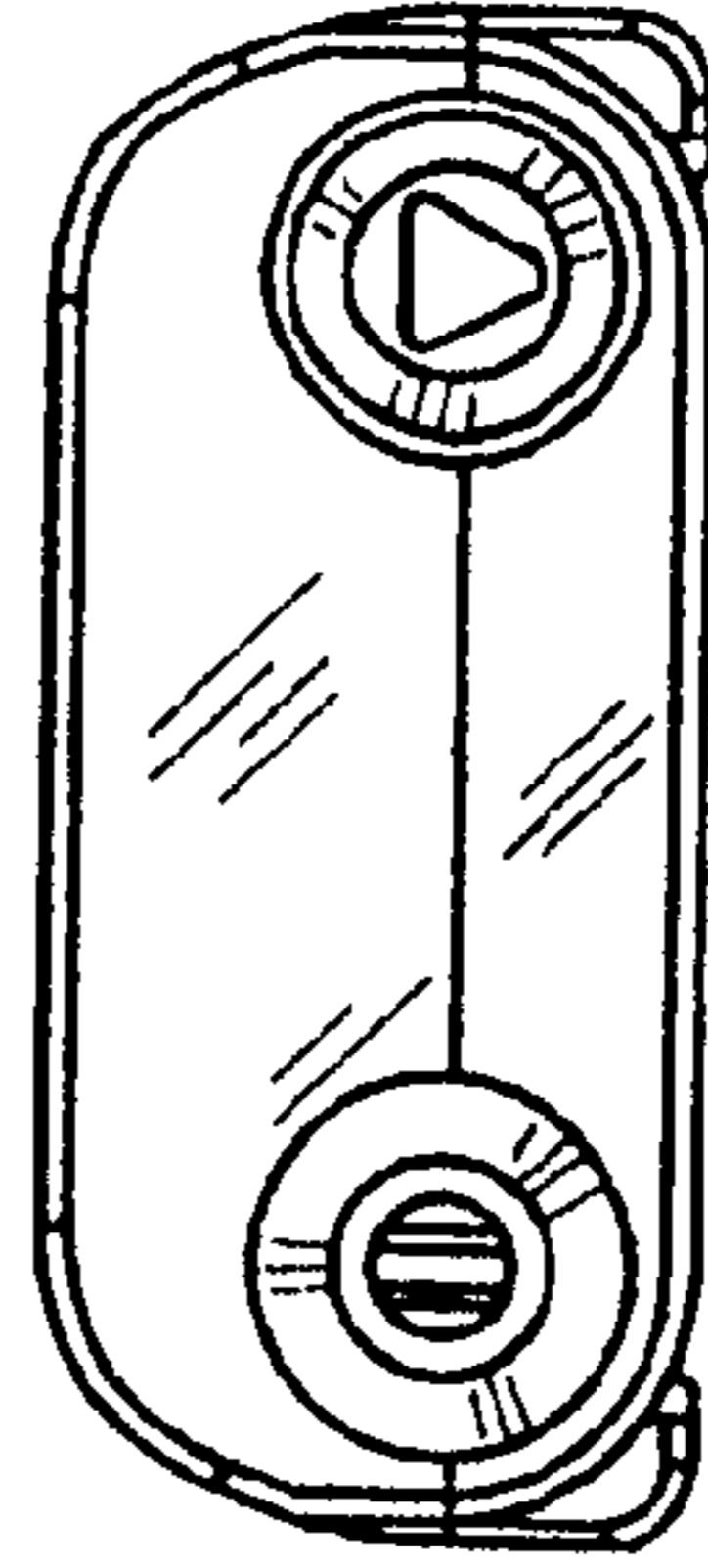


FIG. 7

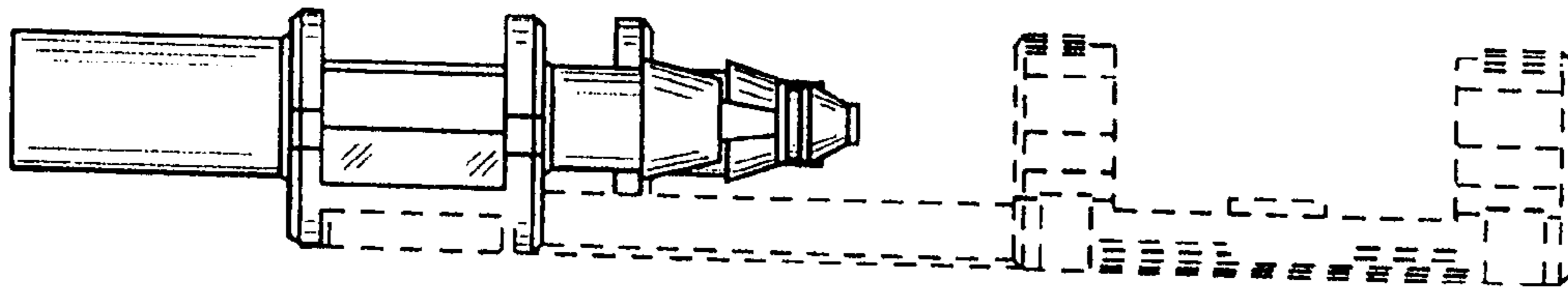


FIG. 5

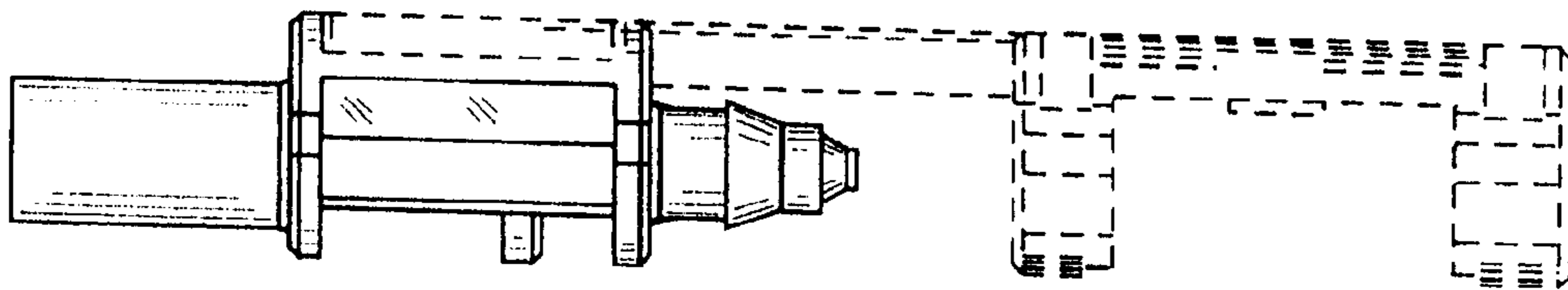


FIG. 4

UNITED STATES PATENT AND TRADEMARK OFFICE
CERTIFICATE OF CORRECTION

PATENT NO. : Des. 536,783 S
APPLICATION NO. : 29/216076
DATED : February 13, 2007
INVENTOR(S) : David Cise et al.

Page 1 of 1

It is certified that error appears in the above-identified patent and that said Letters Patent is hereby corrected as shown below:

On Title Page, item 60

In the Related U.S. Application Data:

It reads "...Des. 501,924, which is a continuation-in-part of application No. 29/163,153, filed on Jun. 28, 2002, now Pat. No. Des. 504,506.",

should read --... Des. 501,924, which is a continuation-in-part of U.S. Design Application Serial No. 29/168,959, now U.S. Patent No. D505,199, which is a continuation-in-part application of U.S. Design Application Serial No. 29/163,153, filed on Jun. 28, 2002, now U.S. Patent No. Des. 504,506.--

Signed and Sealed this

Nineteenth Day of June, 2007

A handwritten signature in black ink on a light gray dotted background. The signature reads "Jon W. Dudas" in a cursive, stylized font.

JON W. DUDAS

Director of the United States Patent and Trademark Office