



US00D536782S

(12) **United States Design Patent**
Koizumi et al.

(10) **Patent No.:** **US D536,782 S**

(45) **Date of Patent:** **** Feb. 13, 2007**

(54) **AUTOMATIC URINE ACCUMULATOR**

(75) Inventors: **Hiroshi Koizumi**, Tokyo (JP); **Ryosuke Miyagawa**, Kasukabe (JP); **Yoshikazu Ishitsuka**, Minori (JP); **Tetsuya Tanaka**, Tokyo (JP); **Shigeharu Sayama**, Akaike (JP)

(73) Assignee: **Hitachi, Ltd.**, Tokyo (JP)

(**) Term: **14 Years**

(21) Appl. No.: **29/232,198**

(22) Filed: **Jun. 16, 2005**

(30) **Foreign Application Priority Data**

Feb. 21, 2005 (JP) 2005-004534

(51) **LOC (8) Cl.** **24-01**

(52) **U.S. Cl.** **D24/108; D24/111; D24/122**

(58) **Field of Classification Search** D24/107, D24/232, 108, 118, 111, 122; D7/399, 110, D7/111, 112, 309, 310, 311; 604/317, 319, 604/540, 151; 600/573, 574; 4/144.1

See application file for complete search history.

(56) **References Cited**

U.S. PATENT DOCUMENTS

D334,059 S * 3/1993 Cathcart et al. D24/118

D359,195 S * 6/1995 Mukai et al. D7/309
D359,357 S * 6/1995 Bigler et al. D24/232
5,466,229 A * 11/1995 Elson et al. 604/317
6,732,384 B2 * 5/2004 Scott 4/144.1

* cited by examiner

Primary Examiner—Ian Simmons

Assistant Examiner—W. Laymon

(74) *Attorney, Agent, or Firm*—Antonelli, Terry, Stout and Kraus, LLP.

(57) **CLAIM**

We claim the ornamental design for an automatic urine accumulator, as shown and described.

DESCRIPTION

FIG. 1 is a front, top and right side perspective view of an automatic urine accumulator showing our new design;

FIG. 2 is a front elevational view thereof;

FIG. 3 is a right side elevational view thereof;

FIG. 4 is a left side elevational view thereof;

FIG. 5 is a top plan elevational view thereof;

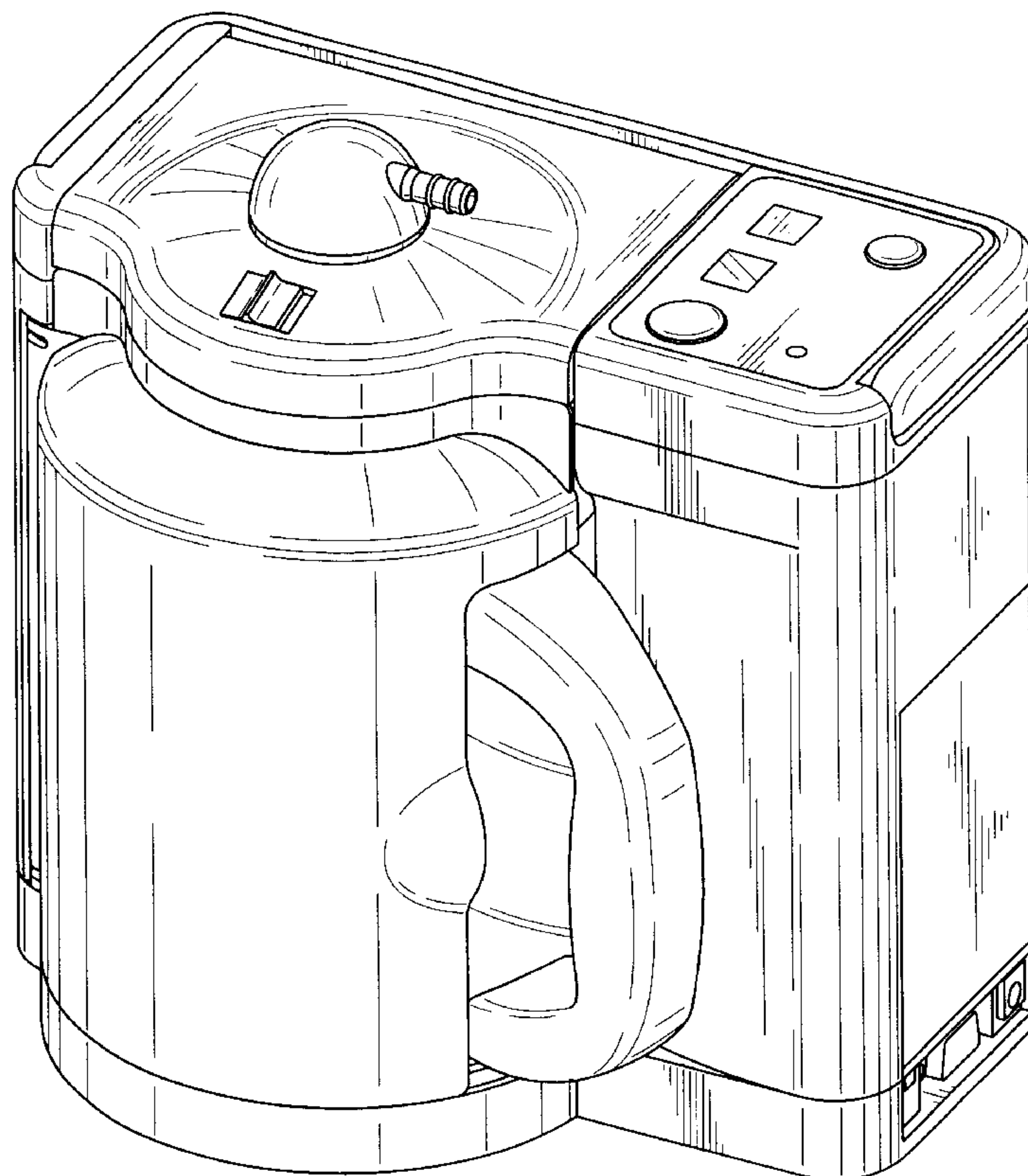
FIG. 6 is a bottom plan elevational view thereof; and

FIG. 7 is a rear elevational view thereof;

FIG. 8 is a front, top and right side perspective view thereof with the covers are opened; and,

FIG. 9 is a right side elevational view thereof with the handle is raised.

1 Claim, 8 Drawing Sheets



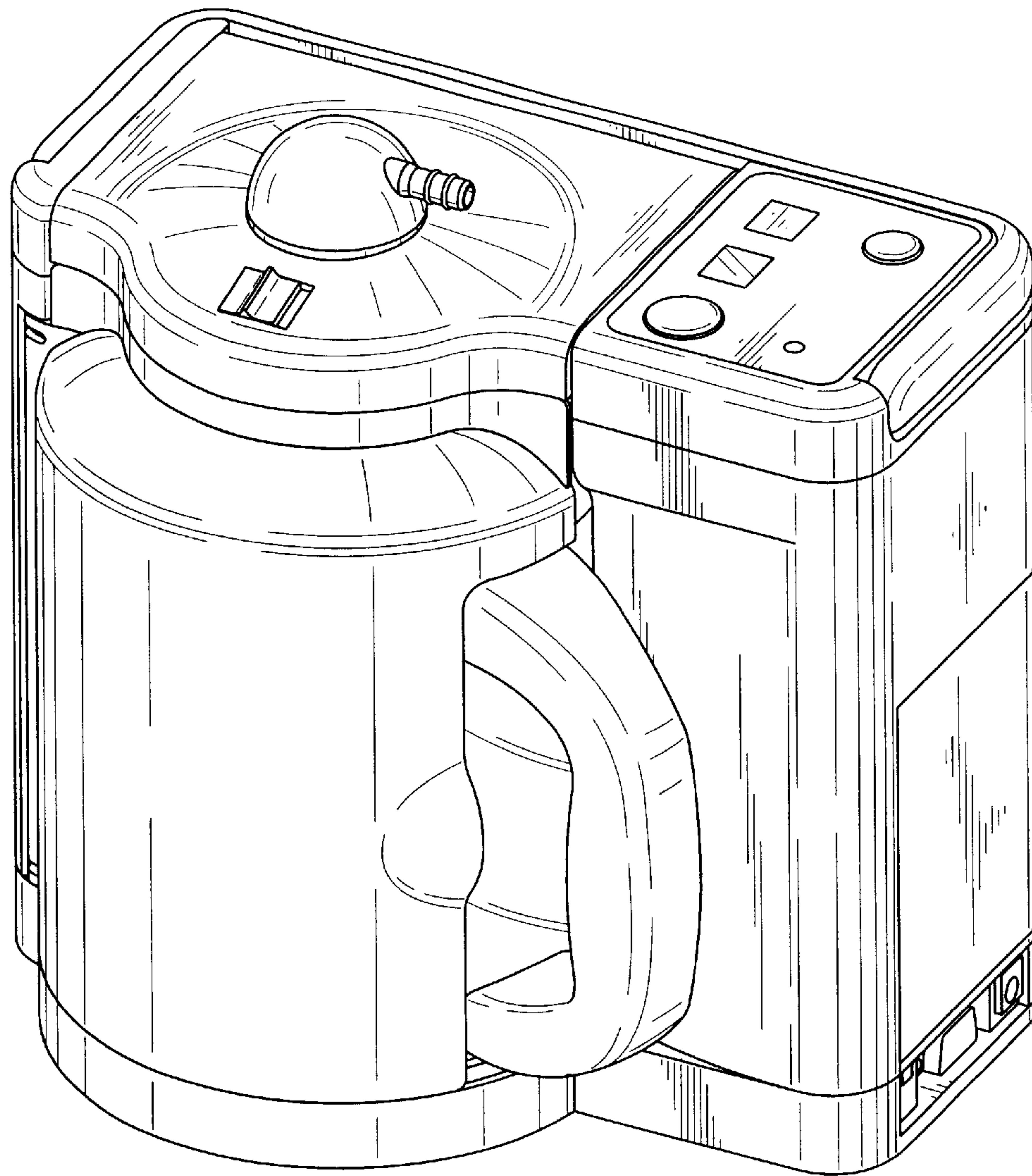


FIG. 1

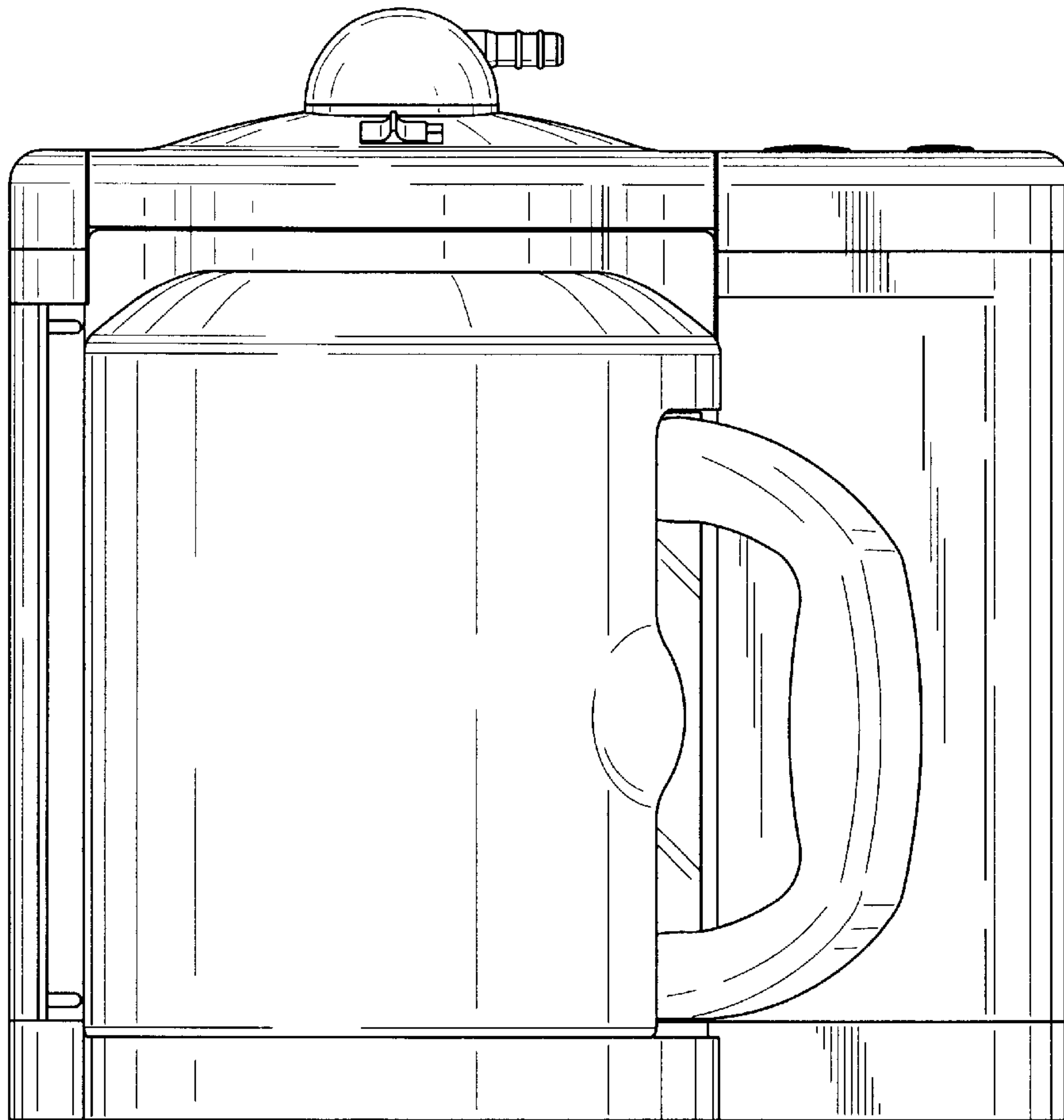


FIG. 2

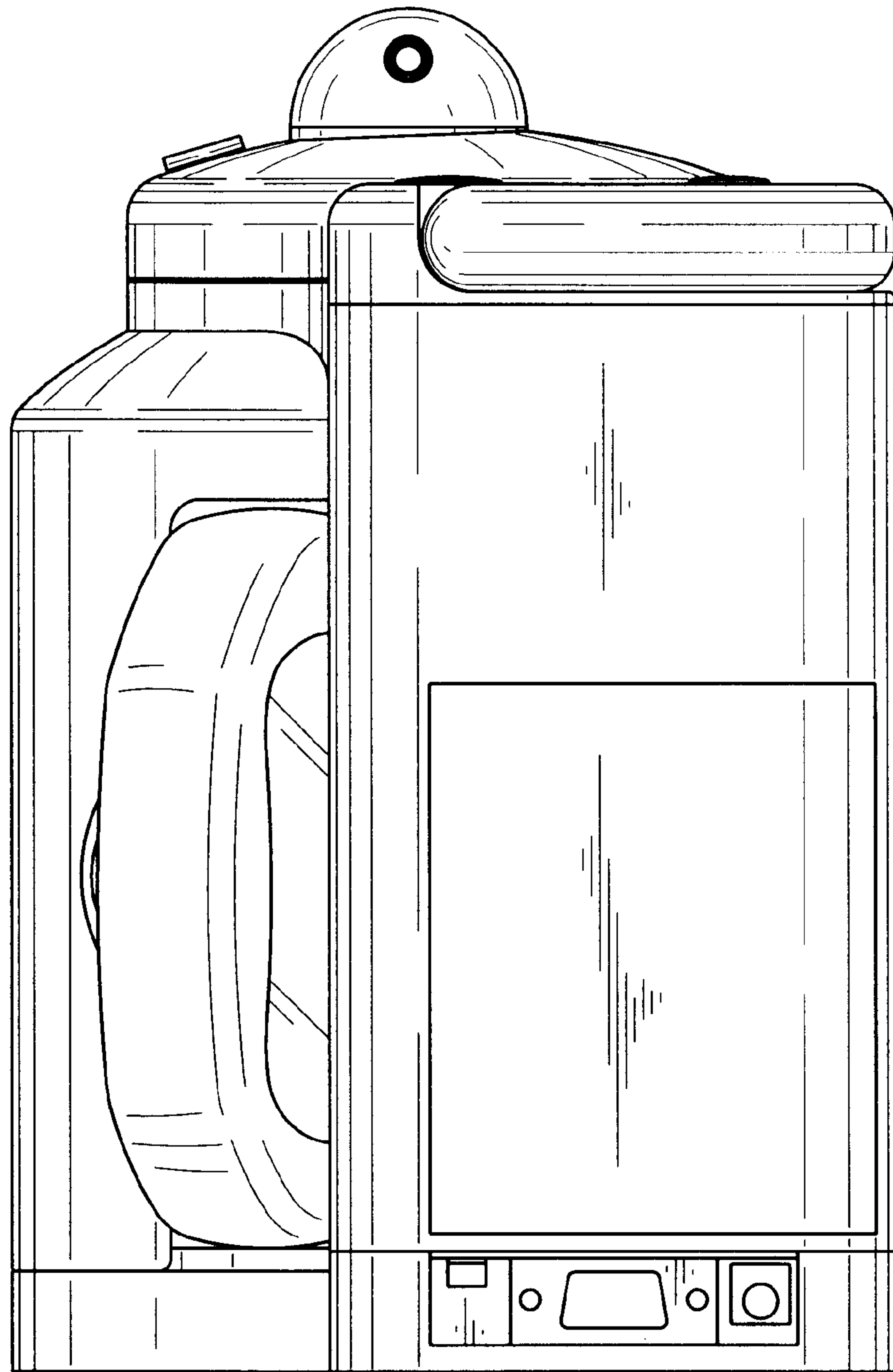


FIG. 3

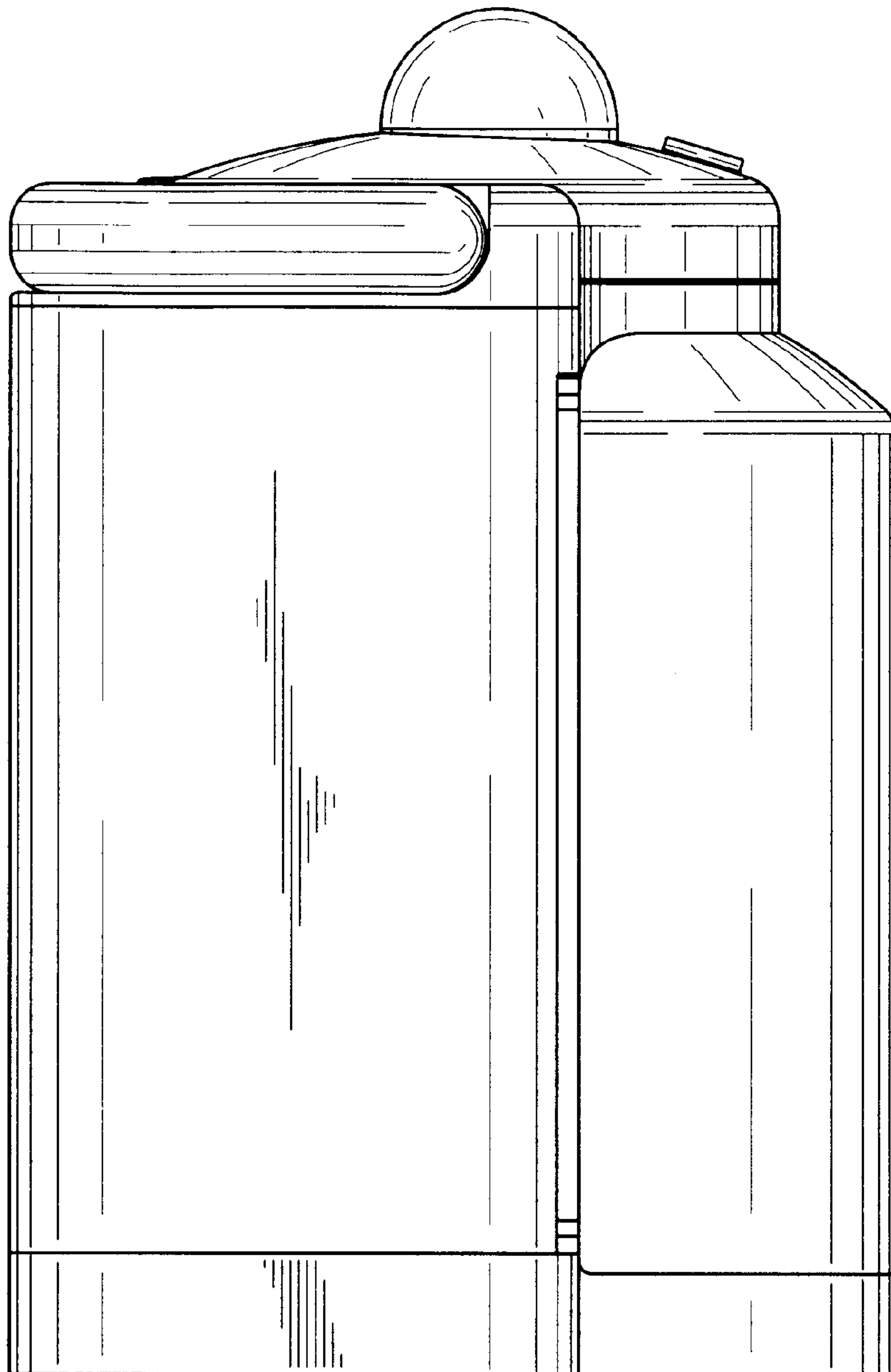


FIG. 4

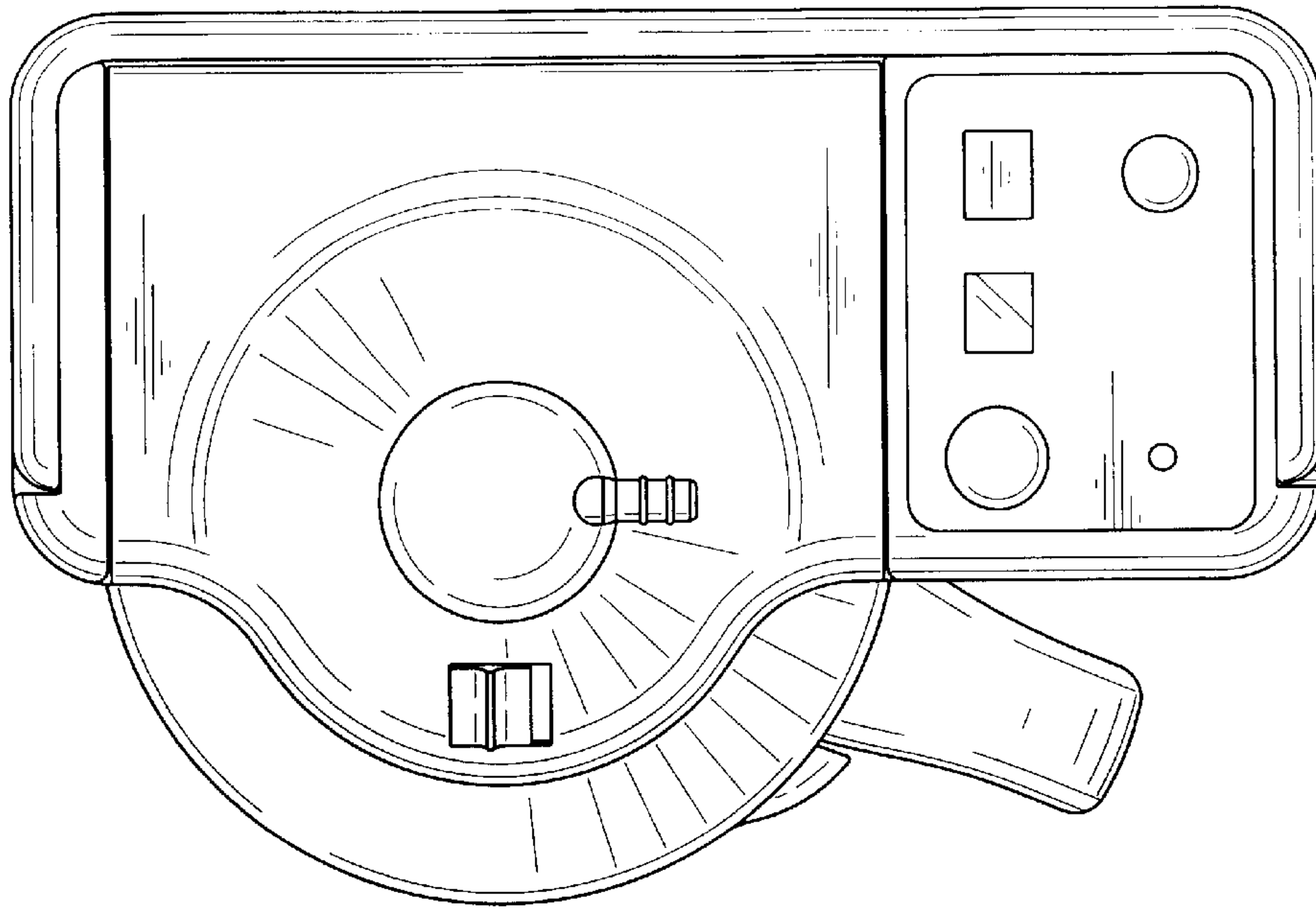


FIG. 5

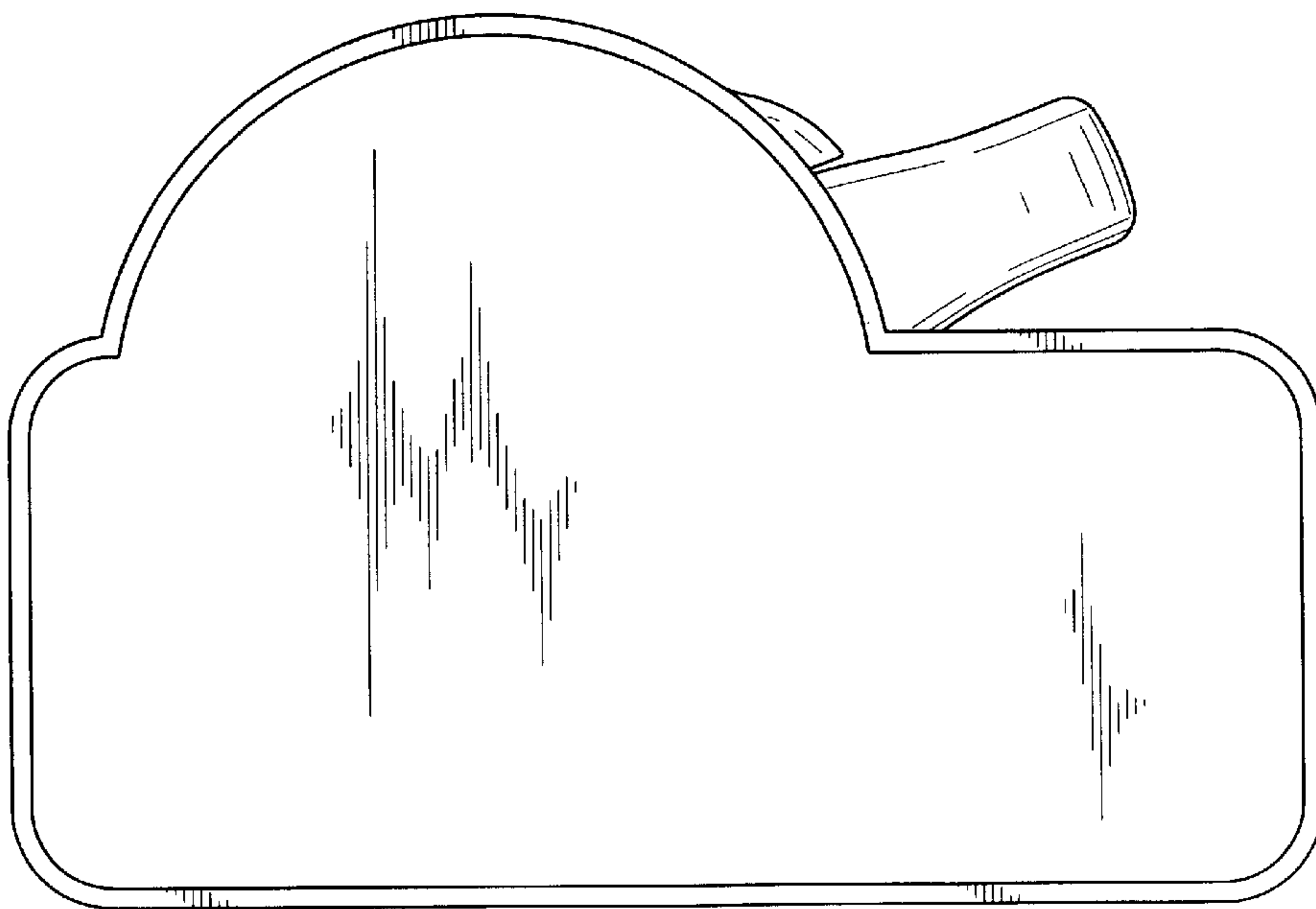


FIG. 6

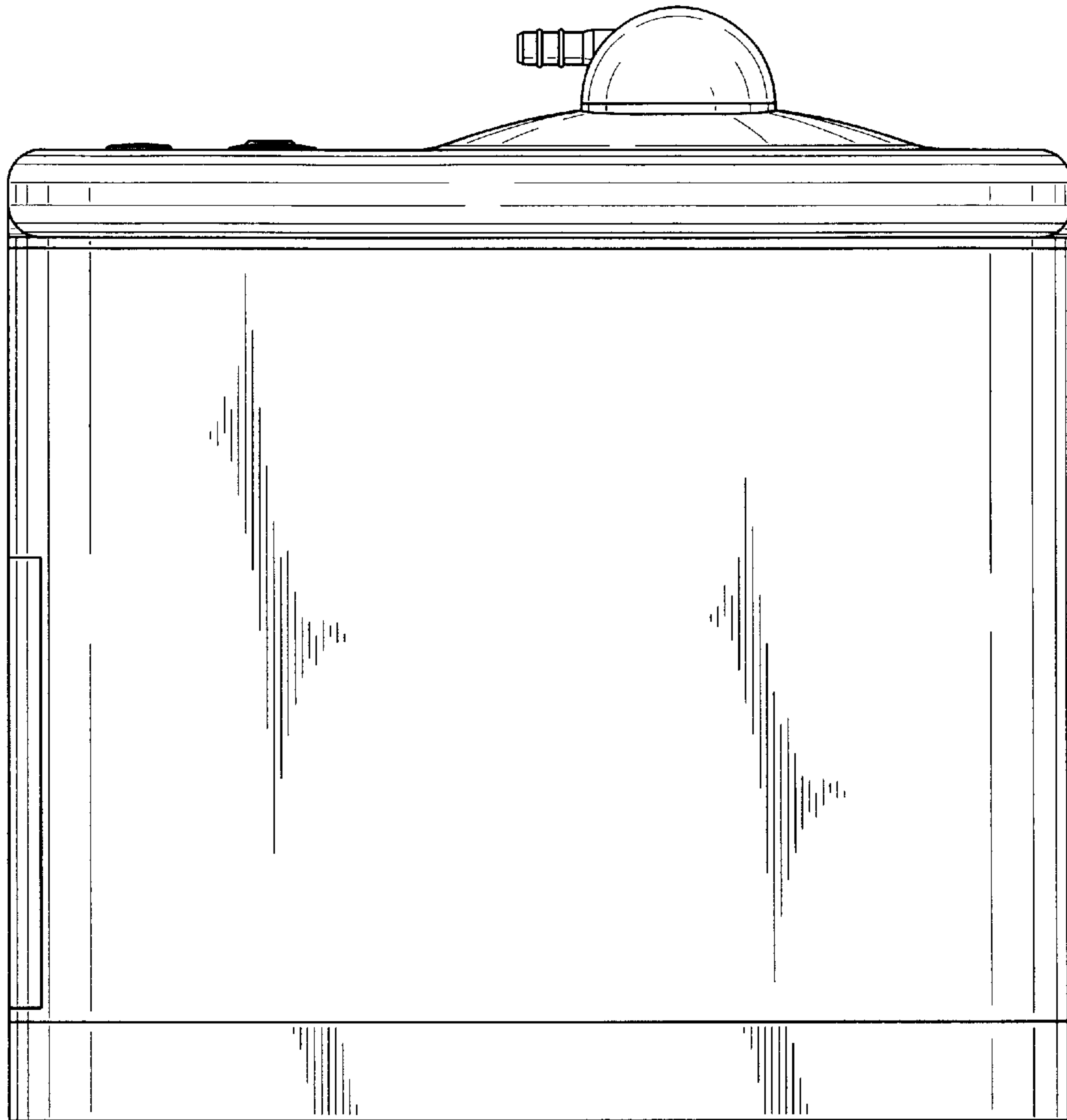


FIG. 7

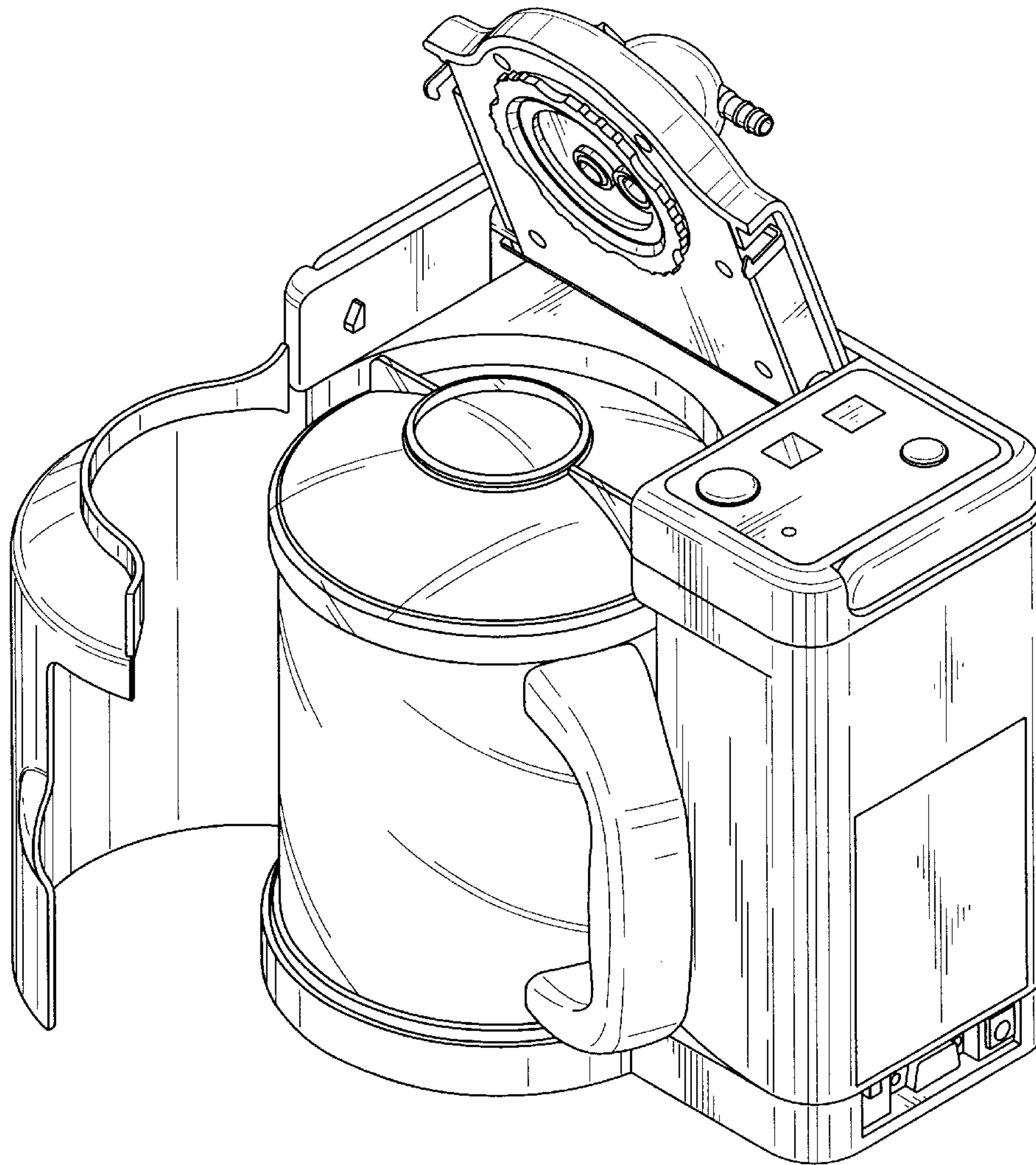


FIG. 8

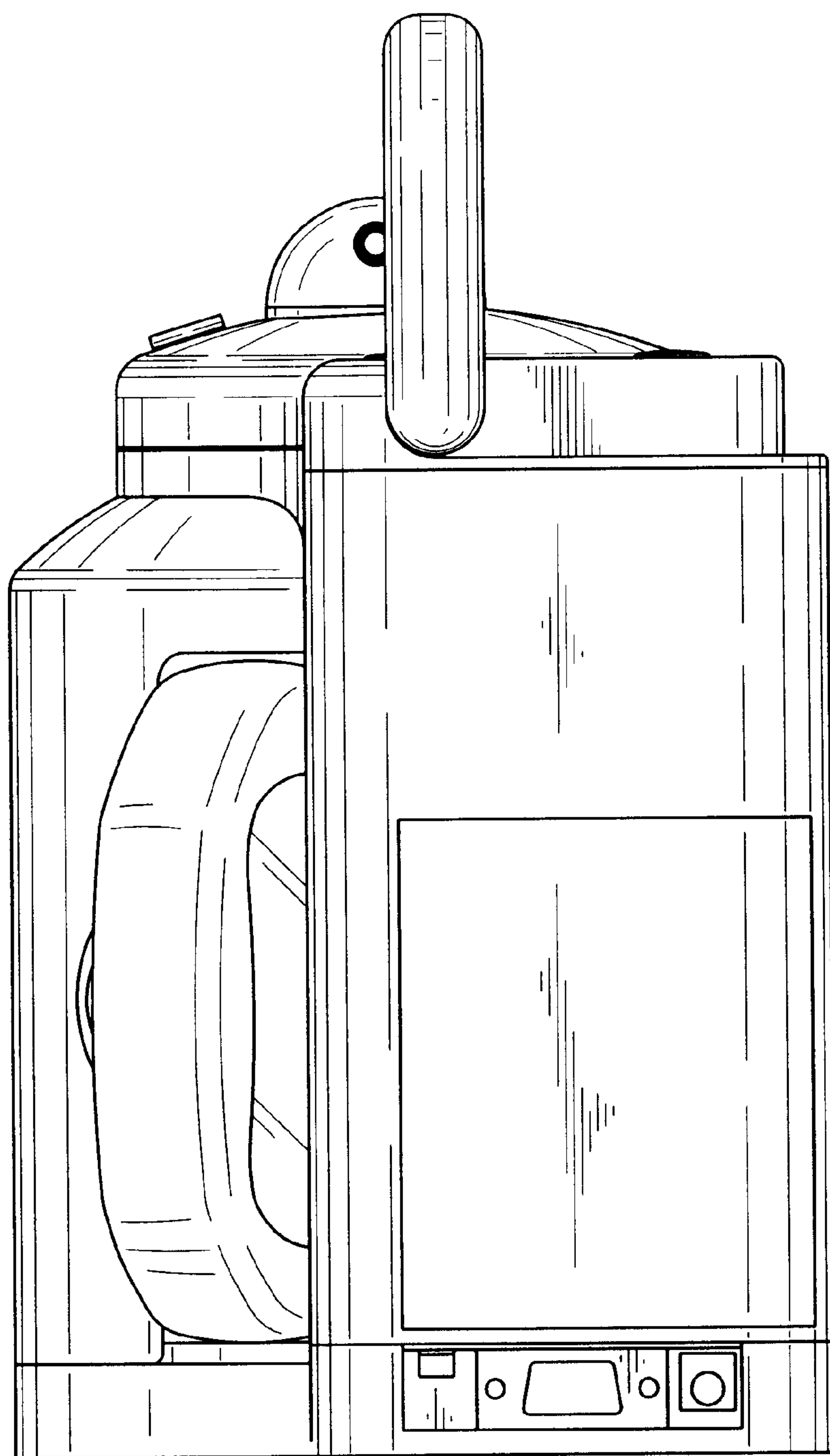


FIG. 9